

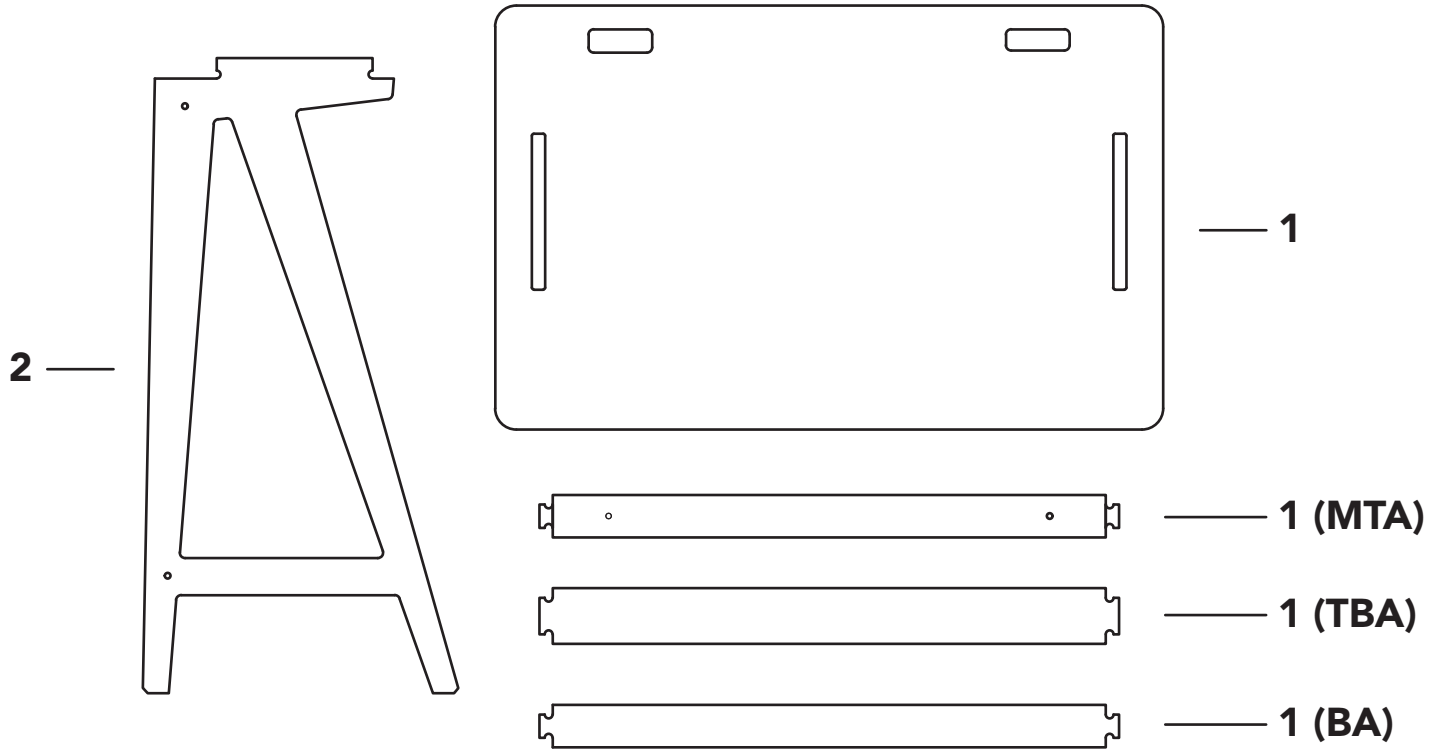


Goldilocks desk

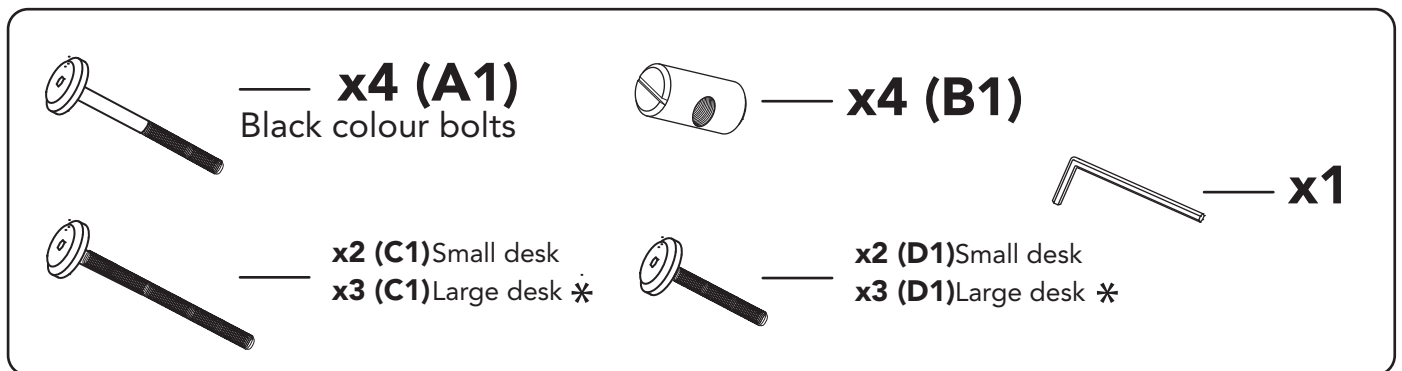


caramba.store | @my.caramba

What you get



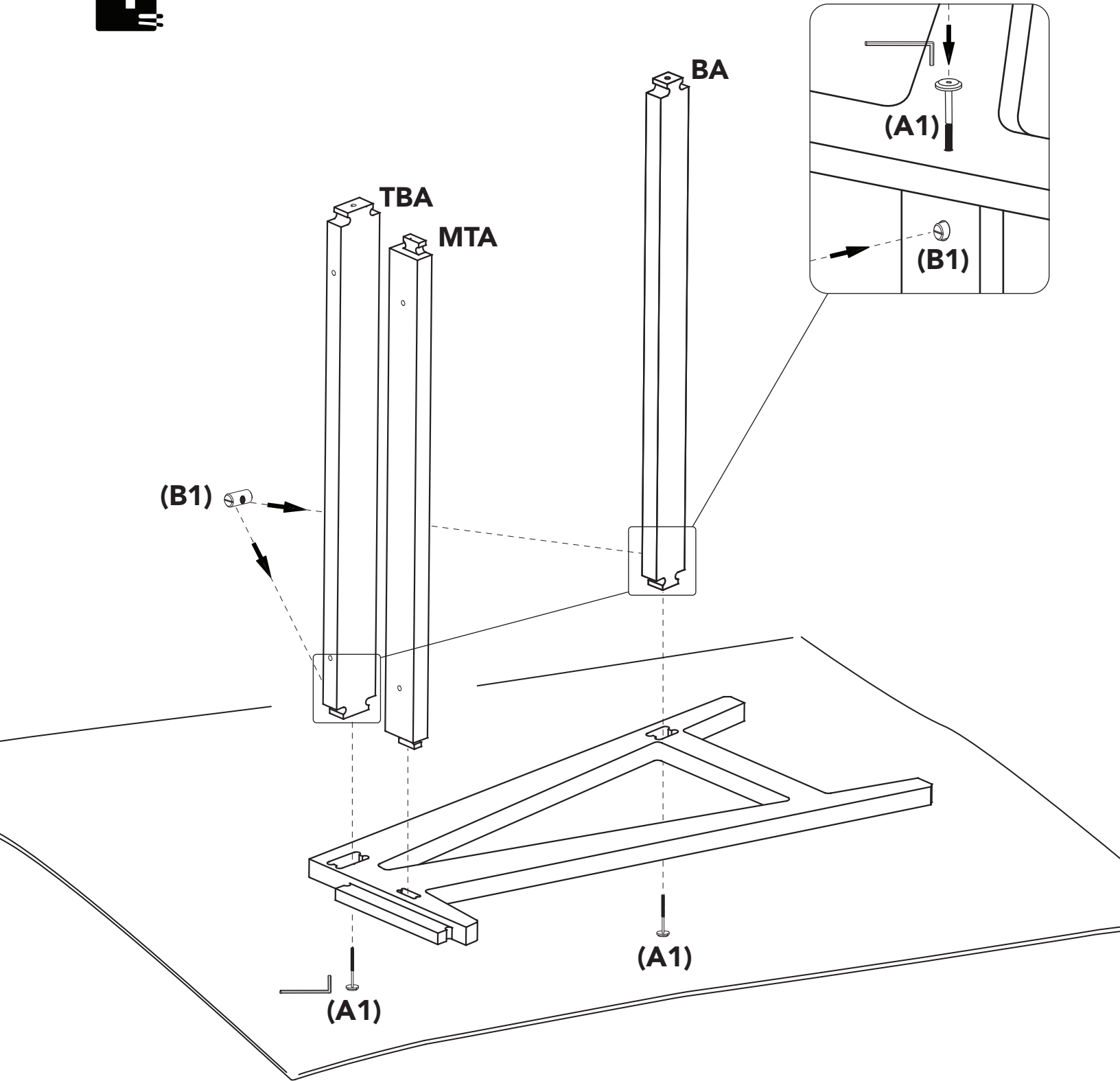
If you purchased the long Goldilocks desk, you are getting the same number of parts but with different sizes. The desk top is longer and narrower, the 3 aprons are longer and the mid top apron (MTA) comes with 3 holes instead of 2.



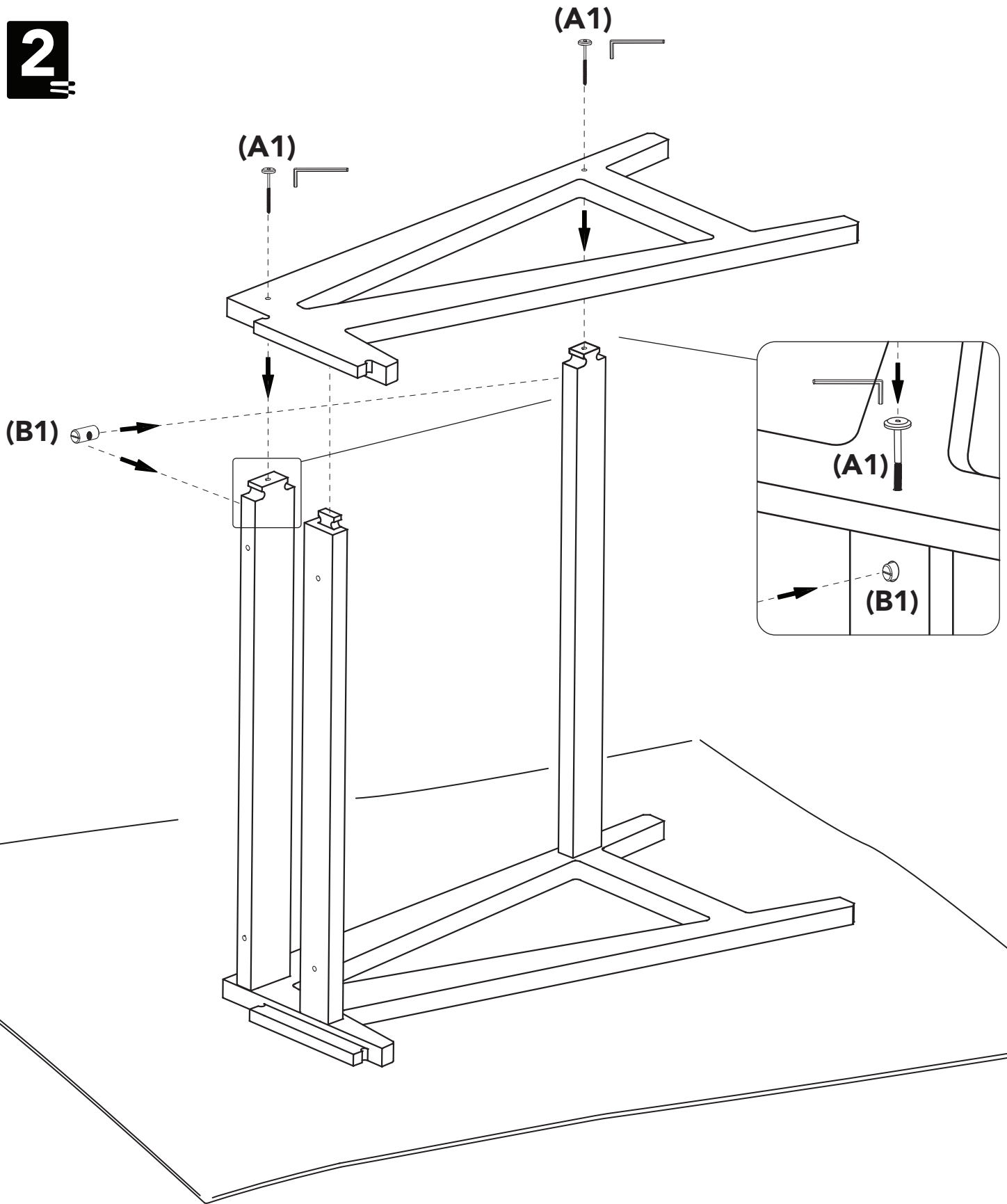
The wood screw anchors are already attached to the plywood parts.
In order to avoid wood tear, do not over tighten the screws!

You can do this!

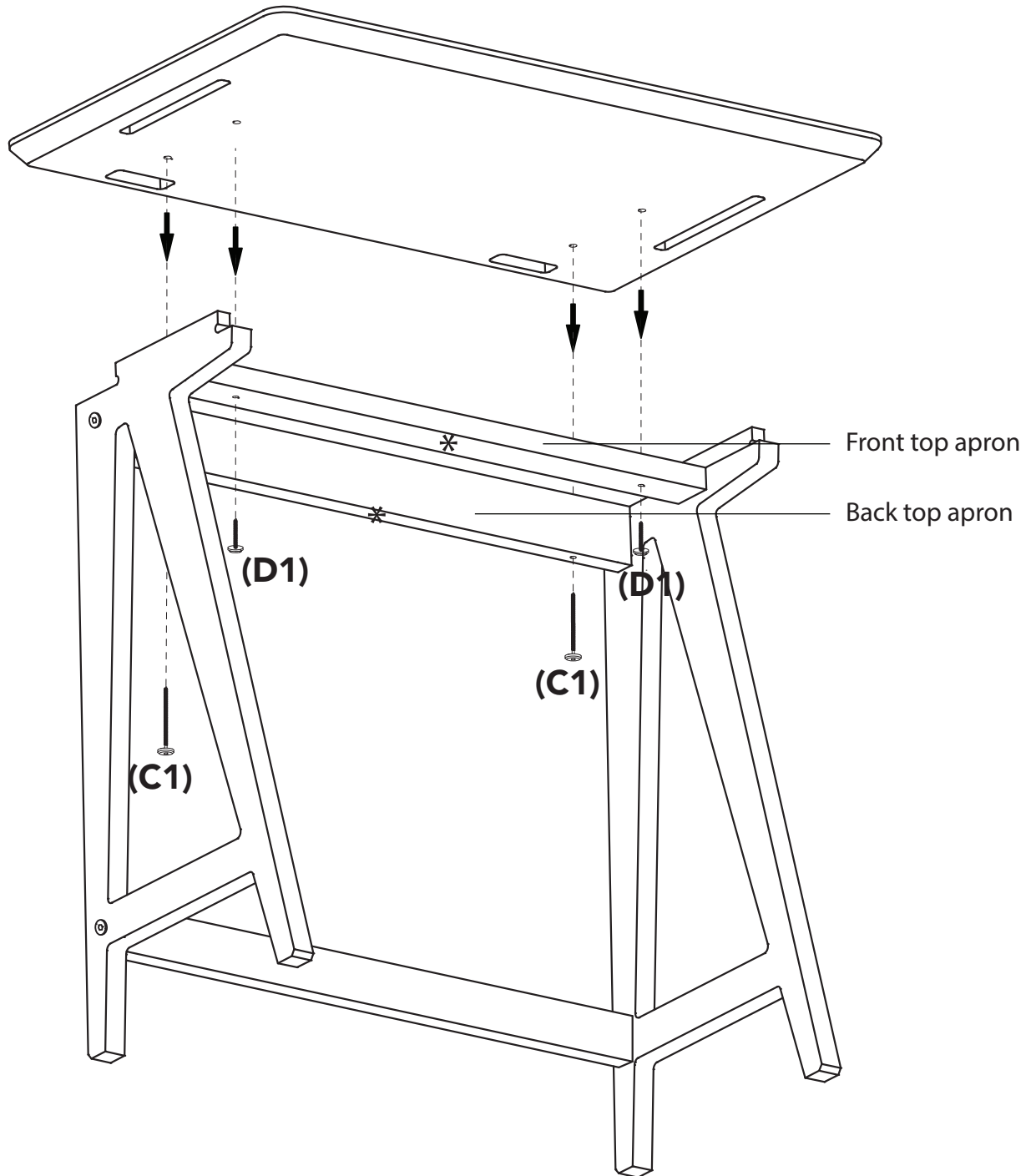
1



2



3



* The large desk comes with two extra holes and bolts, one for the front top apron and one for back top apron. Find this symbol * on the top drawing to locate the extra holes.

Done!

