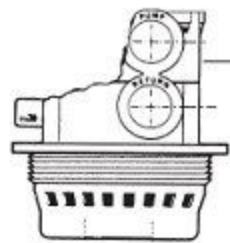
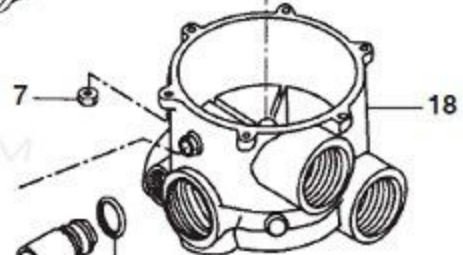
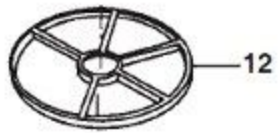
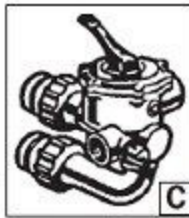
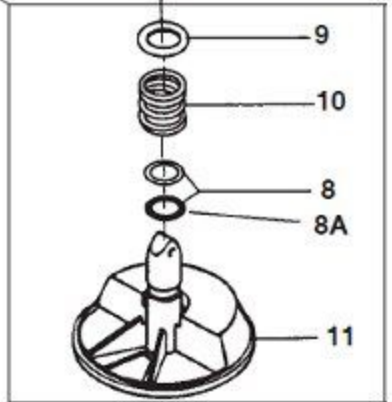


20



18A V THREAD
18B BUTTRESS THREAD
18C CLAMP ON STYLE

SPECIFICATIONS

MODEL NUMBER	EFFECTIVE FILTRATION AREA		MAXIMUM WORKING PRESSURE		REQUIRED CLEARANCE				MEDIA REQUIRED		
	FT ²	M ²	PSI	BAR	SIDE		ABOVE		TYPE	AMOUNT	
					INCH	MM	INCH	MM	FILTER SAND**	LBS	KG
S180T	1.75	.16	50	3.45	18	460	18	460	0.45-0.55mm	150	65
S210T	2.2	.20	50	3.45	18	460	18	460	0.45-0.55mm	200	90
S220T	2.6	.25	50	3.45	18	460	18	460	0.45-0.55mm	250	115
S244T	3.1	.29	50	3.45	18	460	18	460	0.45-0.55mm	300	135

TABLE 1

**Also known as No. 20 Silica Sand.

PARTS

Models S180T, S210T, S220T, S244T

REF NO	PART NO.	DESCRIPTION	NO. REQ
1	SP0714T	Vari-Flo XL Control Valve 1 1/2"	1
2	ECX270861	Pressure Gauge	1
3	GMX600F	Valve/Tank O-ring	1
4	GMX600NM	Flange Clamp	1
5	SX202S	Sand Shield -2004 Corrugated Design	1
6a	SX180DA	Folding Lateral Assy S180T	1
6b	SX210DA	Folding Lateral Assy S210T	1
6c	SX220DA	Folding Lateral Assy S220T	1
6d	SX244DA	Folding Lateral Assy S244T	1
7a	SX180AA2	Filter tank Assy less valve & clamp	1
7b	SX210AA1		
7c	SX220AA1		
7d	SX244AA1		
8a	SX200Q	Lateral (Screw in) Prior 2005(18")	10
8b	SX200QN	Lateral (One piece) (18")	10
8c	SX240D	Lateral (Screw in) Prior to 2005	10
8d	SX240DN	Lateral (One piece)	10
9a	SX180HG	Drain Cap Kit (Round)	1
9b	SX180LA	Drain Cap Assy	1
10	SX200J	System Base	1

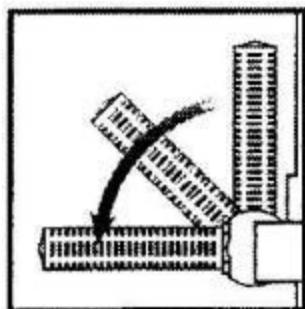
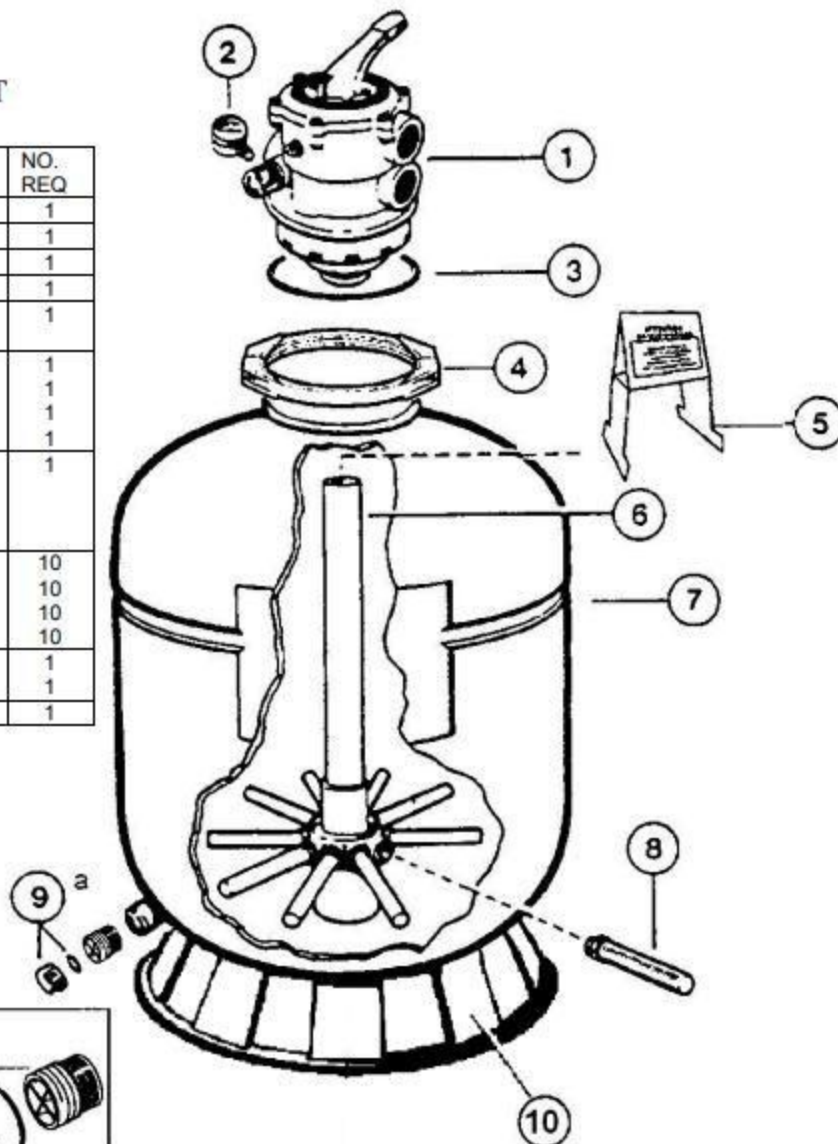


FIGURE A

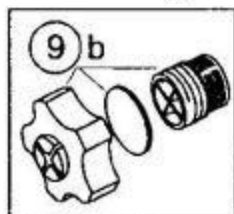


FIGURE B