

# Tagelus<sup>®</sup> Sand Filter

**Models:**

TA 40 / TA 40D

TA 50 / TA 50D

TA 60D

TA 100D

Model: TA 60 with

**ClearPro<sup>®</sup>**  
**Technology<sup>®</sup>**



## Installation and User's Guide

IMPORTANT SAFETY INSTRUCTIONS  
*READ AND FOLLOW ALL INSTRUCTIONS*  
SAVE THESE INSTRUCTIONS

# Customer Service

If you have questions about ordering Pentair replacement parts, and pool products, please use the following contact information:

## Customer Service / Technical Support (8 A.M. to 5 P.M. — Eastern and Pacific Times)

Phone: (800) 831-7133

Fax: (800) 284-4151

## Sanford, North Carolina (8 A.M. to 5 P.M. — Eastern Time)

Phone: (919) 566-8000

Fax: (919) 566-8920

## Moorpark, California (8 A.M. to 5 P.M. — Pacific Time)

Phone: (805) 553-5000 (Ext. 5591)

Fax: (805) 553-5515

## Web site

visit [www.pentairpool.com](http://www.pentairpool.com) or [www.sta-ritepool.com](http://www.sta-ritepool.com) to find information about Pentair products



© 2009 Pentair Water Pool and Spa, Inc. All rights reserved.

This document is subject to change without notice.

1620 Hawkins Ave., Sanford, NC 27330 • (800) 831-7133 • (919) 566-8000

10951 West Los Angeles Ave., Moorpark, CA 93021 • (800) 831-7133 • (805) 553-5000

**Trademarks and Disclaimers:** Tagelus®, HiFlow™, Pentair Pool Products®, Because reliability matter most®, ClearPro Technology®, ClearPro®, and Pentair Water Pool and Spa® are trademarks and/or registered trademarks of Pentair Water Pool and Spa, Inc. and/or its affiliated companies in the United States and/or other countries. Unless noted, names and brands of others that may be used in this document are not used to indicate an affiliation or endorsement between the proprietors of these names and brands and Pentair Water Pool and Spa, Inc. Those names and brands may be the trademarks or registered trademarks of those parties or others.

# Table of Contents

---

Important Safety Precautions .....	ii
<b>Section 1: Installation .....</b>	<b>1</b>
Installing the Tagelus® Sand Filter .....	1
How your Tagelus® Filter works .....	1
Initial Start-Up .....	3
<b>Section 2: Maintenance .....</b>	<b>4</b>
Tagelus® Filter Care .....	4
Tagelus® Filter Cleaning .....	4
Tagelus® Filter Backwash Procedure .....	5
Chemical Cleaning Procedure .....	5
Winterizing your Tagelus® Filter .....	6
<b>Section 5: Troubleshooting .....</b>	<b>7</b>
<b>Section 4: Replacement Parts .....</b>	<b>8</b>
<b>HiFlow™ 6 Way Valve</b>	
<b>Après – Filtres à Sable Tagelus™</b>	
<b>Después – Filtros de Arena Tagelus™</b>	

## IMPORTANT SAFETY PRECAUTIONS



### Important Notice:

**This guide provides installation and operation instructions for the Tagelus® Sand Filters. Consult Pentair Water with any questions regarding this equipment.**

**Attention Installer:** This guide contains important information about the installation, operation and safe usage of this product. This information should be given to the owner and/or operator of this equipment after installation or left on or near the filter.

**Attention User:** This manual contains important information that will help you in operating and maintaining this filter. Please retain it for future reference.



**WARNING** — Before installing this product, read and follow all warning notices and instructions which are included. Failure to follow safety warnings and instructions can result in severe injury, death, or property damage. Call (800) 831-7133 for additional free copies of these instructions.

### Consumer Information and Safety

The Tagelus® Sand Filters are designed and manufactured to provide many years of safe and reliable service when installed, operated and maintained according to the information in this manual and the installation codes referred to in later sections. Throughout the manual, safety warnings and cautions are identified by the “⚠” symbol. Be sure to read and comply with all of the warnings and cautions.




#### **WARNING — THIS FILTER OPERATES UNDER HIGH PRESSURE**




When any part of the circulating system, (e.g., closure, pump, filter, valve(s), etc.), is serviced, air can enter the system and become pressurized. Pressurized air can cause the top closure to separate which can result in severe injury, death, or property damage. To avoid this potential hazard, follow these instructions:


1. If you are not familiar with your pool filtering system and/or heater:
  - a. **Do NOT** attempt to adjust or service without consulting your dealer, or a qualified pool technician.
  - b. Read the entire Installation & User's Guide before attempting to use, service or adjust the pool filtering system or heater.
2. Before repositioning valve(s) and before beginning the assembly, disassembly, or any other service of the circulating system: (A) Turn the pump **OFF** and **shut OFF** any automatic controls to ensure the system is **NOT** inadvertently started during the servicing; (B) open the manual air bleeder valve; (C) wait until all pressure is relieved.
3. Whenever installing the filter closure **FOLLOW THE FILTER CLOSURE WARNINGS EXACTLY.**
4. Once service on the circulating system is complete **FOLLOW INITIAL START-UP INSTRUCTIONS EXACTLY.**
5. Maintain circulation system properly. Replace worn or damaged parts immediately, (e.g., closure, pressure gauge, valve(s), o-rings, etc).
6. Be sure that the filter is properly mounted and positioned according to instructions provided.


## IMPORTANT SAFETY PRECAUTIONS (continued)

 **WARNING** — This filter must be installed by a licensed or certified electrician or a qualified pool serviceman in accordance with the National Electrical Code and all applicable local codes and ordinances. Improper installation could result in death or serious injury to pool users, installers, or others and may also cause damage to property.

Always disconnect power to the pool circulating system at the circuit breaker before servicing the filter. Ensure that the disconnected circuit is locked out or properly tagged so that it cannot be switched on while you are working on the filter. Failure to do so could result in serious injury or death to serviceman, pool users or others due to electric shock.


 **WARNING** — Do not operate the filter until you have read and understand clearly all the operating instructions and warning messages for all equipment that is a part of the pool circulating system. The following instructions are intended as a guide for initially operating the filter in a general pool installation. Failure to follow all operating instructions and warning messages can result in property damage or severe personal injury or death.

 **WARNING** — To reduce the risk of injury, do not permit children to use this product unless they are closely supervised at all times.

 **WARNING** — Due to the potential risk that can be involved it is recommended that the pressure test be kept to the minimum time required by the local code. Do not allow people to work around the system when the circulation system is under pressure test. Post appropriate warning signs and establish a barrier around the pressurized equipment. If the equipment is located in an equipment room, lock the door and post a warning sign.



Never attempt to adjust any closures or lids or attempt to remove or tighten bolts when the system is pressurized. These actions can cause the closure to blow off and could cause severe personal injury or death if they were to strike a person.

 **WARNING** — Never exceed the maximum operating pressure of the system components. Exceeding these limits could result in a component failing under pressure. This instantaneous release of energy can cause the closure to blow off and could cause severe personal injury or death if they were to strike a person.



This page is blank.

# Section 1

## Installation

*Note:* Before installing this product, read and follow all warning notices and instructions in this manual.

### Installing the Tagelus® Sand Filter

Only a qualified service person should install the Tagelus® Sand Filter. This filter is designed and intended for use to filter water.

### Tagelus® Introduction

The following general information describes how to install the Tagelus® Sand Filter. This filter operates under pressure and if assembled improperly or operated with air in the water circulation system, it can separate and result in an accident causing property damage or serious bodily injury. A warning label has been affixed to the top of the filter and should not be removed. Keep safety labels in good condition and replace if missing or illegible.

### How your Tagelus® Filter works

Your high rate sand filter is designed to operate for years with a minimum of maintenance and when installed, operated and maintained in accordance with these instructions, it will provide years of trouble free operation.

Dirt is collected in the filter as the water flows through the control valve at the top of the filter and is directed downward onto the top surface of the filter sand bed. The dirt is collected in the sand bed and the clean water flows through the lower piping at the bottom of the filter up through the center pipe into the control valve at the top of the filter. Clean water then returns through the piping system into the pool.


The pressure will rise and the flow to the pool will be lowered as the dirt is collected in the filter. Eventually, the filter will become so plugged with dirt that it will be necessary to perform the backwash procedure. It is important to know when to backwash the filter. Backwashing is discussed further under the subsequent sections of this guide.

Please note that a filter removes suspended matter and does not sanitize the pool. The pool water must be sanitized and the water must be chemically balanced for sparkling clear water. Your filtration system should be designed to meet your local health codes. As a minimum, you must be sure that your system will turn over the total volume of water in your pool at least twice in a twenty-four hour period.

Refer to **Table 1** for Filter Operation Data.

**Table 1.**

FILTER MODEL NUMBER	FILTER AREA (Sq. Ft.)	FLOW RATE *(GPM)	TURNOVER CAPACITY (Gallons)			
			4 TURNS PER DAY	3 TURNS PER DAY	2.4 TURNS PER DAY	2 TURNS PER DAY
TA 40 / TA 40D	1.8	40	14,400	19,200	24,000	28,800
TA 50 / TA 50D	2.3	50	18,000	24,000	30,000	36,000
TA 60ClearPro® / TA 60D	3.1	60	21,600	28,800	36,000	43,200
TA 100D	4.9	100	36,000	48,000	60,000	72,000

 **WARNING** — Failure to operate your filter system or inadequate filtration can cause poor water clarity obstructing visibility in your pool and can allow diving into or on top of obscured objects which can cause serious personal injury or drowning.

Clear water is the result of proper filtration as well as proper water chemistry. Pool chemistry is a specialized area and you should consult your local pool service specialist for specific details. In general, proper pool sanitation requires a free chlorine level of 1 to 2 PPM and a pH range of 7.2 to 7.6.

## Tagelus® Installation

**⚠ WARNING** — Filters should never be tested or subjected to air or gas under pressure. All gases are compressible and under pressure create a danger. Severe bodily injury or property damage could occur if the filter is subjected to air or gas pressure.



1. Check carton for any evidence of damage due to rough handling in shipment. If carton or any filter components are damaged, notify the freight carrier immediately.
2. Carefully remove the accessory package and the filter tank from the carton.
3. Mount the filter on a permanent slab, preferably concrete poured in a form or on a platform constructed of concrete block or brick. DO NOT use sand to level the filter or for the pump mounting, as it will wash away.
4. Provide space and lighting for routine maintenance access. Do not mount electrical controls over the filter. One needs to be able to stand clear of the filter when starting the pump. Minimum space requirements may be found on the large nameplate on the filter.
5. Sand specifications – be certain the proper sand is used as described in Table 2. Before pouring the sand into the filter, look inside and check the lower under-drain for broken or loose laterals (or fingers), which may have been accidentally damaged by rough handling during shipment. Replace any broken parts if necessary.
6. Install the sand guide in the top of the filter and fill the tank about half full with water. Pour the sand into the top of the filter at a slow rate so that the weight of the sand does not damage the laterals. See **Table 2** for proper amounts of sand. After filling to the proper level, remove and discard the sand guide. Wash away all sand around the opening at the top of the tank.
7. Be sure that all sealing surfaces are clean and apply a light coating of a silicone based lubricant to the valve o-ring.
8. Position valve so that the port locations are in the desired final positions. Follow the enclosed valve installation procedure instructions.
9. Assemble piping and pipe fittings to pump and valve. All piping must conform to local and state plumbing and sanitary needs.
10. Use sealant compounds on all male connections of pipe and fittings. Use only pipe compounds suited for plastic pipe. Support pipe to prevent strains on filter, pump or valve.

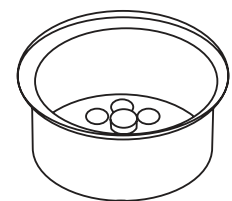
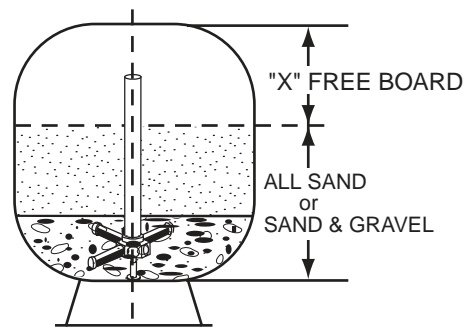
**NOTE:** The free board distance is the most important variable and should be maintained. Sand density will vary and therefore sand amount is given as a reference.

**Table 2. Filter Sand Detail and Data**

FILTER MODEL	FILTER MEDIA (POUNDS)			FREE BOARD "X"
	ALL SAND*	PEA GRAVEL ‡	SAND	
TA 40 / TA 40D	175	50	125	7¾"
TA 50 / TA 50D	225	50	175	9¼"
TA 60 ClearPro® / TA 60D	325	50	275	10¼"
TA 100D	600	150	450	11¼"

‡ Pea Gravel size to be 1/8" to 1/4" diameter.


\* SAND SIZE: .018 - .022 in. particle size (.44-.55 mm particle size) = No. 20 Standard Silica Sand having a uniformity coefficient of 1.75 or less.




**Sand Guide**



11. Long piping runs and elbows restrict flow. For best efficiency, use the fewest possible number of fittings, large diameter pipe (at least 1½" for TA 60, and at least 2" for TA 100D) and locate equipment as close to pool as possible.

 **CAUTION** — Operating at excessive vacuum levels can cause the tank to crack and could cause property damage.


12. When installing backwash lines it is recommended that a vacuum breaker, (P/N 272044), be installed on installations where the backwash line is 1½" and the length exceeds 40 ft., or if the backwash line discharges 10 ft. or more lower than the surface level of the pool. Alternately, a vacuum break pit could be provided on systems using 2" or larger backwash lines.
13. A check valve is recommended between the filter and heater to prevent hot water "back up" which will damage the filter and valve.
14. The maximum operating pressure of this unit is 50 pounds per square inch. Never operate this filter above this pressure or attach a pump to this filter that has more than 50 psi shut-off pressure.
15. Never install a chlorinator upstream from the filter. Always locate downstream with a check valve in between the chlorinator and filter.
16. A positive shut-off valve is not recommended at the outlet of the filtering system. If the system is ever run with such a valve closed, the internal air relief system becomes inoperative and an explosive situation could exist. Additionally, running the system with no flow will seriously damage the equipment.

 **WARNING** — Chemical fumes and/or spills can cause severe attack of filter structural components. Structurally weakened filter components can cause filter valve or attachments to blow off and could cause severe bodily injury and/or property damage.

17. Never store pool chemicals within 10 ft. of your pool filter. Pool chemicals should always be stored in a cool, dry, well ventilated area.


## Initial Start-up

1. On a new pool, clean the pool before filling the pool with water. Excessive dirt and large particles can cause damage to the pump and filter.
2. Ensure that the backwash line is open so that water is free to come from the pool and flow out the backwash line. Set control valve to backwash position.
3. Check pump strainer pot to be sure it is full of water. Replace pump lid.

 **WARNING** — Air entering the filter and the valve clamp not closed properly can cause the valve to blow off and could cause severe bodily injury and/or property damage.

4. Check valve clamp on Tagelus for tightness.
5. Open the manual air bleeder on the 6-Way Valve, (except TA 100D). Stand clear of the filter and start the pump allowing it to prime.
6. Close the air bleeder on the 6-Way Valve, (except TA 100D), when all the air is removed from the filter and a steady stream of water emerges.

**NOTE:** Pool filter sand is typically pre-washed and should not require extensive backwashing. However, the shipping process may cause excessive abrasion which could require an extended backwash cycle at initial start-up; continue to backwash until the backwash water is as clear as the pool water.

 **CAUTION** — To prevent equipment damage and possible injury, always turn the pump off before changing the valve position.

7. Stop the pump. Set the valve to the filter position.
8. Ensure all suction and pool return lines are open so that water is free to come from the pool and return to the pool.
9. Open the manual air bleeder on the 6-Way Valve, (except TA 100D). Stand clear of the filter and start the pump.
10. Close the air bleeder on the 6-Way Valve, (except TA 100D), when a steady stream of water emerges.
11. The filter has now started its filtering cycle. You should ensure that water is returning to the pool and take note of the operating pressure when the filter is clean.

# Section 2

---


## Maintenance

This section describes how to maintain your Tagelus® Sand Filter.

### Filter Care

The filter is a very important part of the pool equipment and installation. Proper care and maintenance will add many years of service and enjoyment to the pool. Follow these suggestions for long trouble-free operation:

1. To clean the exterior of the filter of dust and dirt, wash with a mild detergent and water then hose off. Do not use solvents.
2. If internal maintenance is required, sand may be removed by removing the entire drain spigot from the bottom of the filter and flushing with a garden hose. Pentair Water Pool and Spa's Sand Vacuum P/N 542090 may also be used.
3. If, after a number of years, the filter tank appears foggy in color or rough in texture, the tank surface can be painted. We recommend the use of a Quick Dry Spray Enamel. **Do NOT paint the VALVE.**


 **WARNING** — Always visually inspect filter components during normal servicing to ensure structural safety. Replace any item which is corroded, deformed or otherwise visually defective. Defective filter components can allow the filter top or attachments to blow off and could cause severe bodily injury or property damage.

4. The valve clamp used on your Tagelus® Sand Filter was manufactured with high quality corrosion resistant materials. The manufacturing process could allow sharp edges to be present on the parts. When working around the clamp, use caution to prevent potential injury to fingers or hands from contact with sharp edges.
5. Your filter is a pressure vessel and should never be serviced while under pressure. Always relieve tank pressure and open air bleeder on the Tagelus® Valve before attempting to service your filter.
6. When restarting your filter, always open the manual air bleeder on the Tagelus® Valve and stand clear of the filter.

### Cleaning Frequency

1. The filter on a new pool should be backwashed, and cleaned after approximately 48 hours of operation to clean out plaster dust and/or construction debris.
2. There are three different ways to identify when the filter needs backwashing.
  - a. The most accurate indicator on pool systems with a flow meter is to backwash when the flow decreases 30% from the original (clean filter) flow. For example, if the original flow was 60 GPM, the filter should be backwashed when the flow is reduced by about 20 GPM (or 30%) to 40 GPM.
  - b. A more subjective and less accurate indicator is to observe the amount of water flowing from the flow directionals located in the wall of the pool. The filter should be backwashed once it is detected that the flow has been reduced.
  - c. The most commonly used but less accurate indicator is to backwash when the filter gauge reading increases 10 PSI over the initial (clean filter) reading.
3. It is important not to backwash the filter solely on a timed basis such as every three days. It is also important to note that backwashing too frequently actually causes poor filtration. Factors like weather conditions, heavy rains, dust or pollen, and water temperatures all affect the frequency of backwash. As you use your pool, you will become aware of these influences.
4. If, at any time, the starting pressure after backwashing the filter indicates 4 to 6 PSI higher than normal starting pressure, it is time to perform a chemical cleaning procedure.

## Filter Backwash Procedure

 **WARNING** —To prevent equipment damage and possible injury, always turn off pump before changing valve positions.

1. Stop the pump.
2. Ensure that the suction and backwash lines are open so that water is free to come from the pool and flow out the backwash line. Set control valve to backwash position.
3. **Stand clear of the filter** and start the pump.
4. Backwash filter for approximately 3 to 5 minutes or until backwash water is clean.
5. Stop the pump and set valve to rinse position.
6. **Stand clear of the filter** and start the pump.
7. Rinse filter for approximately 30 seconds.
8. Stop the pump and set valve to filter position.
9. Ensure that pool return line is open so that water may flow freely from the pool back to the pool.
10. Open manual air bleeder on 6-Way Valve, (except TA 100D). Stand clear of filter and start the pump.
11. Close manual air bleeder on the 6-Way Valve, (except TA 100D), when all the air is removed and a steady stream of water emerges from the bleeder.
12. The filter has now started its filtering cycle. You should ensure that water is returning to the pool and take note of the filter pressure.
13. The filter pressure, in the above Step 12, should not exceed the pressure originally observed on the filter when it was initially started. If after backwashing, the pressure is 4 to 6 PSI above the start condition, it will be necessary to chemically clean the sand bed.

## Chemical Cleaning Procedure

1. It is recommended that one of the following cleaners be used:
  - a. FILTER-CLEANSE – Great Lakes Biochemical
  - b. FITLER-FREE – Hydrotech Chemical Corp.
  - c. KLEEN-IT – Bio Lab, Inc.

These cleaners will remove oils, scale and rust from the sand bed in one cleaning operation.
2. Mix a solution following the manufacturers instructions on the label.
3. Backwash the filter with the Multiport Valve as outlined above.
4. If the filter is below pool level, shut off the pump and close appropriate valving to prevent draining the pool.
5. Shut off pump, open filter drain and let filter drain. Place valve in backwash position.
6. After filter has drained, close filter drain and remove the pump strainer pot lid.
7. Ensure that the backwash lines are open.
8. Turn the pump on and slowly, pour the cleaning solution into the pump strainer with the pump running. If the filter is below pool, open shut-off valve slightly to allow pump to run.
9. Continue adding solution until the sand bed is saturated with cleaning solution.
10. Shut off the pump and leave filter in backwash position. Allow filter to stand overnight (12 hours).
11. Replace the pump lid and follow backwash procedures as outlined above.
12. Do not allow the cleaning solution to get into the pool.

## Winterizing your Filter

1. In areas that have freezing winter temperatures, protect the pool equipment by backwashing the filter.
2. After backwashing, shut the pump off, open the manual air bleeder on the 6-Way Valve, (except TA 100D), and move the handle of the Multiport Valve to the Winterize Position.
3. Remove the wing-type plug on the bottom of the filter. The filter will drain very slowly, and therefore, it is recommended that the drain plug be left out during shutdown season.

**\*NOTE:** The Multiport Valve should be left in the “Winterize Position” during shutdown season so that the valve diverter has no pressure on the rubber seal.

4. Drain all appropriate system piping.
5. We recommend covering the equipment with a tarpaulin or plastic sheet to inhibit deterioration from weather. Do **NOT** wrap the pump motor with plastic.

# Section 3

## Troubleshooting

Use the following troubleshooting information to resolve possible problems with your Tagelus® Sand Filter.

### **WARNING — THIS FILTER OPERATES UNDER HIGH PRESSURE**



When any part of the circulating system, (e.g., closure, pump, filter, valve(s), etc.), is serviced, air can enter the system and become pressurized. Pressurized air can cause the top closure to separate which can result in severe injury, death, or property damage. To avoid this potential hazard, follow these instructions:

1. If you are not familiar with your pool filtering system and/or heater:
  - a. **Do NOT** attempt to adjust or service without consulting your dealer, or a qualified pool technician.
  - b. Read the entire Installation & User's Guide before attempting to use, service or adjust the pool filtering system or heater.
2. Before repositioning valve(s) and before beginning the assembly, disassembly, or any other service of the circulating system: (A) Turn the pump **OFF** and **shut OFF** any automatic controls to ensure the system is NOT inadvertently started during the servicing; (B) open the manual air bleeder valve; (C) wait until all pressure is relieved.
3. Whenever installing the filter closure **FOLLOW THE FILTER CLOSURE WARNINGS EXACTLY.**
4. Once service on the circulating system is complete **FOLLOW INITIAL START-UP INSTRUCTIONS EXACTLY.**
5. Maintain circulation system properly. Replace worn or damaged parts immediately, (e.g., closure, pressure gauge, valve(s), o-rings, etc).
6. Be sure that the filter is properly mounted and positioned according to instructions provided.

*Note:* Turn off power to unit prior to attempting service or repair.

### Problems and Corrective Actions

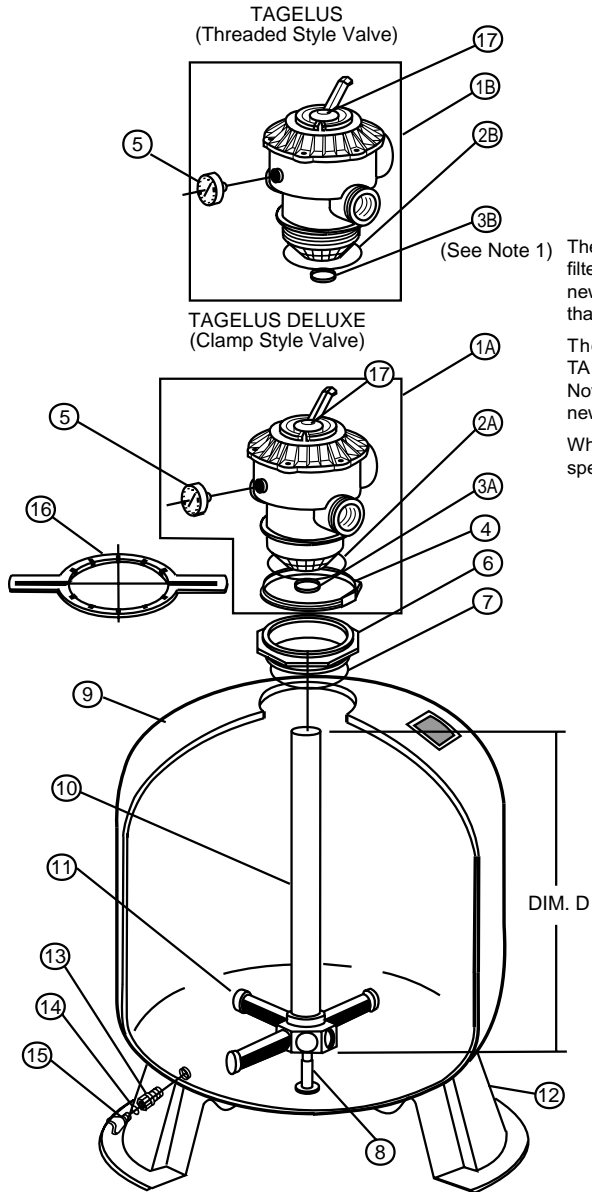
PROBLEM	CAUSE	REMEDY
Pool water not sufficiently clean	<ol style="list-style-type: none"> <li>1. Pool chemistry not adequate to inhibit algae growth.</li> <li>2. Too frequent a backwash cycle.</li> <li>3. Improper amount or wrong sand size.</li> <li>4. Inadequate turnover rate.</li> </ol>	<p>Maintain pool chemistry or consult pool service technician.</p> <p>Allow pressure to build to 10 psi above clean filter condition before backwashing.</p> <p>Check sand bed depth and sand size or consult a pool service technician.</p> <p>Run system for longer time or consult dealer or pool service technician.</p>
High filter pressure	<ol style="list-style-type: none"> <li>1. Insufficient backwashing.</li> <li>2. Sand bed plugged with mineral deposits.</li> <li>3. Partially closed valve or restriction in return.</li> </ol>	<p>Backwash until effluent runs clear.</p> <p>Chemically clean filter.</p> <p>Open valve or remove obstruction in return line.</p>
Short cycles	<ol style="list-style-type: none"> <li>1. Improper backwash.</li> <li>2. Pool chemistry not adequate to inhibit algae growth.</li> <li>3. Plugged sand bed.</li> <li>4. Flow rate too high.</li> </ol>	<p>Backwash until effluent runs clear.</p> <p>Maintain pool chemistry or consult pool service technician.</p> <p>Manually remove top 1" surface of sand bed, replace with new sand and chemically clean entire sand bed as described in the <a href="#">Chemical Cleaning Procedure</a>.</p> <p>Restrict flow to capacity of filter.</p>
Return flow to pool diminished, low filter pressure	<ol style="list-style-type: none"> <li>1. Obstruction in pump hair and lint strainer.</li> <li>2. Obstruction in pump.</li> <li>3. Obstruction in suction line to pump.</li> </ol>	<p>Clean basket in pump strainer.</p> <p>Disassemble and clean pump.</p> <p>Clean skimmer basket. Remove obstruction in lines.</p> <p>Open valves in suction line.</p>
Sand returning to pool	<ol style="list-style-type: none"> <li>1. Broken under drain lateral.</li> <li>2. Backwash rate too high.</li> <li>3. Air strainer on Tagelus Valve is damaged or missing.</li> </ol>	<p>Replace broken or damaged laterals.</p> <p>Reduce backwash flow rate.</p> <p>Replace damage components.</p>

# Section 4

## Replacement Parts

### TAGELUS® SAND FILTER

TA 40 / TA 40D  
 TA 50 / TA 50D  
 TA 60 ClearPro® / TA 60D  
 TA 100D

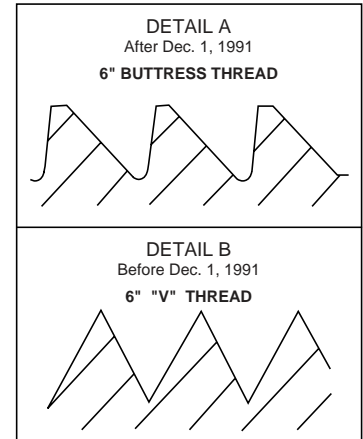


#### IMPORTANT NOTICE

The valve adaptor used on TA 40D, 50D, and 60D filters manufactured after November 1, 1994 has a new face seal design with a square sealing ring that is white in color, P/N 154494.

The black o-ring, P/N 154493, used on our TA 40D, 50D, and 60D filters manufactured before November 1, 1994 will NOT interchange with the new 154494 sealing ring.

When ordering a replacement seal, be sure to specify which seal your filter has in the adaptor.

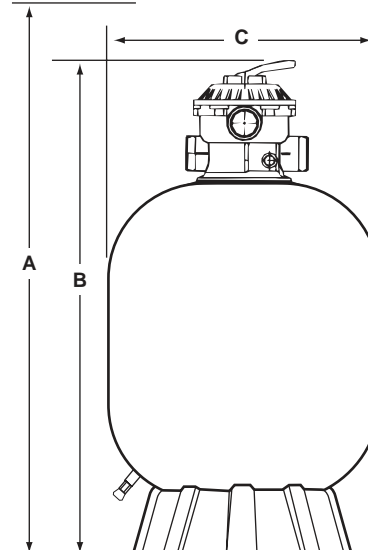


Filters manufactured after Dec 1, 1991 utilize a 6 in. buttress thread in the filter tank top opening and on the closure, see Detail A.

Filters manufactured before Dec 1, 1991 utilize a 6 in. "V" type thread, see Detail B.

**6 in. closures in Detail A. and B. are NOT interchangeable.**

Clearance to remove valve & internal piping



MODEL	A DIM.	B DIM.	C DIM.
TA 40	46 in.	37 in.	18¾ in.
TA 50	50½ in.	38½ in.	21¼ in.
TA 60 ClearPro®	57 in.	42½ in.	24½ in.
TA 40D	47 in.	37 in.	19½ in.
TA 50D	51½ in.	39½ in.	21½ in.
TA 60D	57 in.	42½ in.	24½ in.
TA 100D	65½ in.	47¼ in.	30½ in.

## TAGELUS® SAND FILTER

### Replacement Parts

**NOTE 1:** Item 3A O-ring - Standpipe is used on model TA100D Filters only. Item 3B O-ring - Standpipe is used on Tagelus Filter models TA30, 40, 50, 60 manufactured before April, 1993. Item 3B is not used on Tagelus Clamp Filter models TA30D, 35D, 40D, 50D, 60D or on any Tagelus models manufactured after April, 1993.

**NOTE 2:** Tagelus Clamp Filter models Tank & ft. assy. have valve adptr. (Item 6) factory installed.

**NOTE 3:** Replacement of Tank ft. requires the use of mounting tape. See part number listed.

**NOTE 4:** Lubricate O-ring liberally w/ silicone lubricant and tighten to following spec: TA30D, 35D, 40D, 50D, 60D. Handtight plus ¼ turn min. TA100D Handtight plus ¾ turn min.

**NOTE 5:** Tagelus Filter models TA30, 35, 40, 50, 60 manufactured after Nov. 1, 1991 were manufactured w/ a btr. thread top opening and utilize a btr. style valve which is black in color. A change was made to the port arrangement in April, 1993 which will require that minor changes be made to the valve plumbing connections when replacing valves on filters manufactured between Nov. '91 and Mar. '93. **DO NOT ATTEMPT TO INTERCHANGE THREAD TYPES.**

**NOTE 6:** Tagelus Filter models TA30, 40, 50, 60 manufactured before Nov. 1, 1991 were manufactured w/ a "V" thread style valve that is white or brown in color. These valves may be replaced only w/ "V" thread style valve P/N 261124, see Detail B. **DO NOT ATTEMPT TO INTERCHANGE THREAD TYPES.**

**NOTE 7:** Tagelus Clamp Filter models TA30D, 35D, 40D, 50D, 60D manufactured after Nov. 1, 1991 were manufactured w/ a btr. thread top opening and utilize a btr. thread valve adptr. P/N 154555, see Detail A. **DO NOT ATTEMPT TO INTERCHANGE THREAD TYPES.**

**NOTE 8:** Tagelus Clamp Filter models TA30D, 40D, 50D, 60D manufactured before Nov. 1, 1991 were manufactured w/ a "V" thread top opening and utilize a "V" thread valve adptr. P/N 155225, see Detail B). **DO NOT ATTEMPT TO INTERCHANGE THREAD TYPES.**

**NOTE 9:** Tagelus Filter models TA 100D made before December 1, 1993, have a different threaded operation on the filter tank and require a different 8½" adaptor, P/N 154521.

<b>TA 40 / TA 40D</b>	①
<b>TA 50 / TA 50D</b>	②
<b>TA 60 / TA 60D</b>	③
<b>TA 100D</b>	④
<b>TA 60 (ClearPro®)</b>	⑤
<b>TA 50 (w/1/4 turn)</b>	⑥

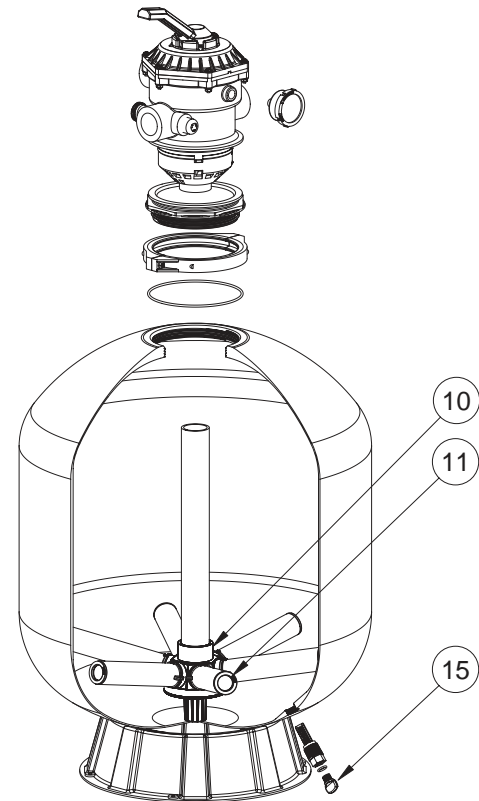
To determine manufacture date, the first 4 digits of the serial number indicate the month and year product was manufactured.

Item No.	Part No.	TAGELUS FILTERS WITH THD. & CLAMP VALVES
		Description
1A	262506	VALVE 1½ in. 6-WAY CLAMP STYLE ①②③
1A	261185	VALVE 2 in. 6-WAY CLAMP STYLE ④
1B	261130	VALVE 1½ in. 6-WAY BUTTRESS THREAD TA (NOTE 5)
1B	261124	VALVE 1½ in. 6-WAY "V" THREAD-TA (NOTE 6)
2A	272541	O-RING VALVE BODY 3/16 in. X 4¾ in. I.D. ①②③
2A	275333	O-RING VALVE BODY 3/16 in. X 6½ in. I.D. ④
2B	154493	O-RING VALVE BODY .157 in. X 5.75 in. I.D. - TA 40/50/60
3A	355330	O-RING STANDPIPE 1/8 in. X 2-3/8 in. I.D. (NOTE 1) ④
3B	155064	O-RING STANDPIPE 1/8 in. X 1-7/8 in. I.D. (NOTE 1) ①②③
4	152165	CLAMP 6½ in. DIA. S/S, PLASTIC ①②③
4	152130	CLAMP 8.35 in. DIA. ④
5	190059	GAUGE BACK MOUNT PRESSURE
6	154555	ADAPTER 6 in. BUTTRESS THD. (NOTES 4 & 7) ①②③
6	155225	ADAPTER 6 in. "V" THREAD (NOTES 4 & 8) ①②③
6	154521	ADAPTER 8½ in. btr. THREAD (NOTE 4 & 9) ④
7	154494	O-RING VALVE ADAPTER .157 in. X 5.75 in. I.D. ①②③
7	355619	O-RING VALVE ADAPTER 1/8 in. X 8 ¼ in. I.D. ④
8	155002	STABILIZER, CENTER PIPE
9	155276	TANK & FT. ASSY. w/ VALVE ADAPTER (NOTES 2, 7 & 8) ①
9	155279	TANK & FT. ASSY. w/ VALVE ADAPTER (NOTES 2, 7 & 8) ②
9	155269	TANK & FT. ASSY. w/ VALVE ADAPTER (NOTES 2, 7 & 8) ③
9	155324	TANK & FT. ASSY. w/ VALVE ADAPTER (NOTES 2, 7 & 8) ④
9	155342	TANK & FT. ASSY. BUTTRESS THREAD STYLE (NOTES 5 & 6) ①
9	155343	TANK & FT. ASSY. BUTTRESS THREAD STYLE (NOTES 5 & 6) ②
9	155358	TANK & FT. ASSY. BUTTRESS THREAD STYLE (NOTES 5 & 6) ③
10	155061	PIPING ASSY. (DIM. D = 17¼ in.) ①
10	155062	PIPING ASSY. (DIM. D = 19-7/8 in.) ②
10	155334	PIPING ASSY. (DIM. D = 19-7/8 in.) ⑥
10	155063	PIPING ASSY. (DIM. D = 22-5/8 in.) ③
10	155299	PIPING ASSY. (ClearPro®) (DIM. D = 22-5/8 in.) ⑤
10	155340	PIPING ASSY. - LESS HUB (DIM. D = 27¼ in.) ④
10	155323	PIPING ASSY. - w/HUB (DIM. D = 27¼ in.) ④

**TAGELUS® SAND FILTER**  
**Replacement Parts**

**TA 40 / TA 40D**  
**TA 50 / TA 50D**  
**TA 60 ClearPro® / TA 60D**  
**TA 100D**

Item No.	Part No.	TAGELUS FILTERS WITH THD. & CLAMP VALVES
		Description
11	152290	LATERAL 6-11/16 in. LONG, 8 req. ❶❷❸
11	152202	LATERAL 9-1/8 in. LONG ❹
11	150088	LATERAL ASSY.,- ClearPro®, 6 req. ❺
11	150085	LATERAL ASSY. - 1/4 TURN, 6 req. ❻
12	154926	FOOT TANK ❶❷❸
12	154596	FOOT TANK (SEE NOTE 3) ❹
13	154698	SPIGOT 3/4 in. NPT SAND DRAIN
13	154685	SPIGOT 1/2 in. NPT SAND DRAIN
13	152220	SPIGOT 2 in. NPT SAND DRAIN ❹
14	192115	O-RING DRAIN PLUG 1/16 in. X 1/2 in. I.D.
15	357161	PLUG 1/4 in. NPT DRAIN
16	154512	WRENCH 6 1/2 in. ACROSS FLATS ❶❷❸
16	151608	WRENCH 9 in. ACROSS FLATS ❹
	154402	TAPE FT. MOUNTING (NOT SHOWN) ALL EXCEPT ❹
	154407	TAPE FT. MOUNTING (NOT SHOWN) ❹
	155051	SAND GUIDE (NOT SHOWN)
	155281	HUB ASSY. ❶❷❸❹
	152222	HUB ASSY. - 1/4 TURN ❺❻



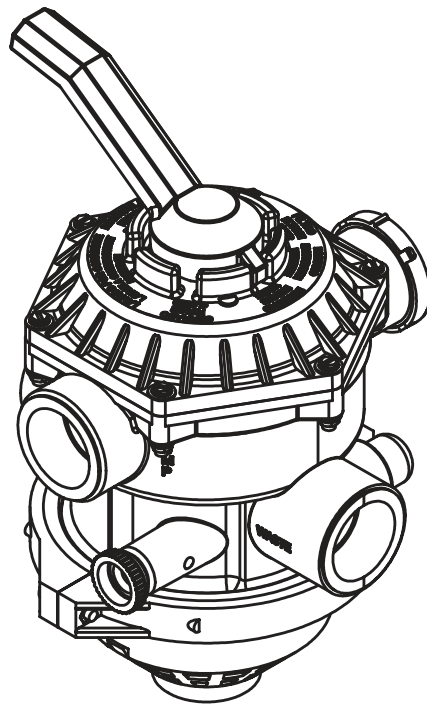
**Detail for TAGELUS® – TA 60 Filters with ClearPro Technology®**

<b>TA 40 / TA 40D</b>	<b>❶</b>
<b>TA 50 / TA 50D</b>	<b>❷</b>
<b>TA 60 / TA 60D</b>	<b>❸</b>
<b>TA 100D</b>	<b>❹</b>
<b>TA 60 (ClearPro®)</b>	<b>❺</b>
<b>TA 50 (w/1/4 Turn)</b>	<b>❻</b>

To determine manufacture date, the first 4 digits of the serial number indicate the month and year product was manufactured.



# HiFlow™ 6 WAY VALVE - 1-1/2"



## Installation, Operation & Service Manual

IMPORTANT SAFETY INSTRUCTIONS  
*READ AND FOLLOW ALL INSTRUCTIONS*  
SAVE THESE INSTRUCTIONS

**⚠ WARNING** — THIS MANUAL CONTAINS CRITICAL SAFETY INFORMATION WHICH MUST BE FURNISHED TO THE END USER. FAILURE TO READ AND FOLLOW INSTRUCTIONS COULD RESULT IN SERIOUS PERSONAL INJURY AND/OR MAJOR PROPERTY DAMAGE.

## TABLE OF CONTENTS

HOW YOUR VALVE WORKS .....	2
INSTALLATION .....	3
REPLACEMENT OF VALVE TOP AND DIVERTER ASSEMBLY .....	4
VALVE CARE .....	4
WINTERIZING PROCEDURE .....	4
TROUBLESHOOTING GUIDE .....	5
REPLACEMENT PARTS .....	6

This valve operates under pressure. When closed properly and operated without air in the water system. This valve will operate in a safe manner.

***CAREFULLY READ AND FOLLOW ALL SAFETY INSTRUCTIONS IN THIS MANUAL OR ON FILTER.***

### How Your Valve Works

Your six position valve is designed to provide all the necessary positions required to operate, maintain, troubleshoot and service your filter. It is provided with six operating positions and one Winterize position. The valve is constructed of high quality corrosion resistant materials and when installed, operated, and maintained in accordance to these instructions, your valve will provide years of trouble free operation.

**⚠ WARNING** — Air entering the filter and a valve clamp not closed properly can cause the valve to blow off and could cause severe bodily injury and/or property damage. (Some valve models do not have a clamp but thread into the filter tank.)

1. This valve is equipped with an external air bleeder device (Item 12). Always open this air bleeder and stand clear of filter and valve before starting system pump and leave open until a steady stream of water is expelled.

**⚠ CAUTION** — To prevent equipment damage and possible injury, always turn pump off before changing valve position.

2. This valve has a closed position. The pump should never be on when the valve is in the closed position. If the pump is operated with the valve closed, the air relief system becomes inoperative and an explosive situation could exist. Additionally, running the system with no flow will seriously damage the equipment.

### VALVE POSITIONS:

- FILTER -** From pump, through valve downward THRU FILTER up through center pipe to valve RETURN port for normal filter action and vacuuming pool thru filter.
- BACKWASH -** From pump through valve, down through center pipe and to valve WASTE port for cleaning filter by reversing flow.
- RINSE -** From pump, through valve downward up through filter up through center pipe to valve WASTE port for start-up cleaning and resetting filter bed after backwashing.
- WASTE -** From pump through valve BYPASSES FILTER and goes to WASTE port for vacuuming directly to waste, lowering pool level, or draining pool.
- CLOSED -** NO FLOW - DO NOT USE THIS SETTING WITH PUMP OPERATING.
- RECIRCULATE -** From pump, through valve, bypasses filter and goes to return port for circulating water without going thru filter.

## Installation

1. Check carton for any evidence of damage due to rough handling in shipment or any valve components are damaged, notify freight carrier immediately.

**NOTICE:** When working in and around the clamp use caution to prevent potential injury to fingers or hands from sudden contact with sharp edges.

2. After inspection, carefully remove valve components from carton.

Be sure sand has been placed into filter, sand guide has been removed and top of filter cleaned of any sand or debris.

**NOTE:** The filter valve will attach to the filter in one of two ways depending upon the filter and valve type.

**Clamp style valves utilize a clamp which holds together the flanges of the valve and filter. Follow exactly, steps 3 thru 8 below to attach the valve to the filter. (Disregard steps 9 thru 12.)**

3. Check to be sure (Item 14) o-ring is in place in groove on valve body. (**Note:** Item numbers in this portion of the instruction booklet refer to the replacement parts list titled HiFlow™ Six Way Valve.)
4. Open clamp (Item 15) wide enough to place over the flange on the tank and rest on the tank before the valve is installed.
5. Place valve over opening in top of tank so that filter centerpipe slips into bore of valve body.
6. Valve parts are labeled with the location of where they should be connected, (*i.e.* pump port must go to pump discharge, waste port must go to the waste line and return port must go to the pool return).
7. Orient the valve to allow the ports to be plumbed to the proper location.
8. Press down on valve so that (Item 14) o-ring is down inside of opening of tank top.

**⚠ WARNING** — Improper tank valve assembly could cause the valve to blow off and cause severe injury and/or property damage.

Lift the clamp (Item 15) over the tank flange and carefully guide the clamp so that it catches both the valve flange and the tank flange. Tighten “T” bolt nut securely.

**Threaded style valves utilize a large 6” buttress thread that screws directly to the filter tank. Follow exactly, steps 9 thru 12 below to attach the valve to the filter. (Disregard steps 3 thru 8.)**

9. Check to be sure o-ring, (Item 14), is in place above large thread on valve body and that o-ring is lubricated. If o-ring requires lubrication, use only silicone type lubrication.

**⚠ WARNING** — Use of lubricants or pipe sealants other than recommended in this instruction booklet, can damage the valve and cause the valve to blow off and could cause severe bodily injury or property damage.

10. Check to be sure filter piping assembly is exactly centered about 1½” below the large threaded opening in the tank.
11. Carefully install the valve inside the filter opening so that the filter piping assembly slips into socket of the valve. Slowly turn valve clockwise until the thread engages with the thread on the tank. Continue to turn valve until the o-ring on valve contacts the tank. Grasp valve by the two opposing ports and tighten as secure as possible by hand.

**⚠ WARNING** — Do not install pipes into the threaded ports, for the purpose of gaining mechanical advantage, as this can over tighten and damage the valve and can cause the valve to blow off resulting in severe bodily injury and/or property damage.

**NOTE:** The valve should not become hard to turn when installing in the filter opening until the valve o-ring contacts the filter surface. Failure to position the filter piping assembly in the center of the large filter opening can cause the valve to not thread properly into the filter tank.

12. Orient the filter with valve to allow the ports to be plumbed to the proper location.
13. The Maximum operating pressure of this valve is 50 psi. The filter unit also has a maximum operating pressure listed on the filter nameplate. **DO NOT OPERATE** this unit above the maximum operating pressure of the valve or the filter. Never connect the filter and valve unit to a pump which can generate a pressure that exceeds the operating pressure of the filter or valve.
14. Assemble piping and pipe fittings to pump and valve. All piping must conform to local and state plumbing and sanitary codes.
15. Use sealant on all tapered male connections of pipe and fittings. Use only sealant compounds suited for plastic pipe. Support pipe to prevent strains on filter, pump or valve.

**NOTICE:** All valve internal threads are tapered except the air bleeder connection. Do not overtighten tapered thread connections.

16. Install pressure gage in 1/4" NPT port directly across from the pump port.

- Never store pool chemicals within 10 feet of your pool filter valve. Pool chemicals should always be stored in a cool, dry, well ventilated area.

**⚠ WARNING** — Chemical fumes and/or spills can cause severe attack of filter valve structural components. Structurally weakened components can cause filter valve or attachments to blow off and could cause severe bodily injury and or property damage.

## Replacement of Valve Top and Diverter Assembly

- Shut off pump and open air bleeder to relieve all internal pressure.
- Set valve handle to winterize position.
- Remove 6 cover screws (Item 9).
- Lift off valve top and diverter assembly.

**NOTICE:** Valve diverter assembly has the sealing gasket attached to the diverter. When handling the diverter, use caution to prevent the sealing surface from being damaged during handling.

- Clean valve body sealing surface with soft clean lint free cloth. Inspect surface for damage such as scratches or nicks. If surface is damaged the valve body must be replaced.
- Carefully lubricate the new valve top replacement o-ring (Item 8) with a silicone based lubricant and place appropriately on valve top.

**⚠ WARNING** — Improper tank valve assembly could cause the valve to blow off and cause severe injury and/or property damage.

- Place the new valve top handle in the winterize position. Install new valve top and diverter assembly making sure small recess on lid and small bump on valve body are aligned. Start all 6 screws with fingers to ensure that the screw is started in the formed thread of the valve body. Screws should be tightened progressively by tightening diametrically opposite screws and following a crisscross pattern. Tighten all 6 valve top attachment screws firmly. **DO NOT OVER TIGHTEN.**

**NOTICE:** Valve top is attached with self-tapping screws. The screws must be aligned properly to prevent cross threading of the screws in the valve body.

## Valve Care

The valve is a very important part of your pool equipment and installation. Proper care and maintenance will add many years of service and enjoyment to the pool. Follow these suggestions for long trouble free operation.

- To clean the exterior of the valve of dust and dirt, wash with a mild detergent and water and then hose off. Do not use solvents.

**⚠ WARNING** — Always visually inspect valve components during normal servicing to ensure structural safety. Replace any item which is corroded, bent or otherwise visually defective. Defective valve components can allow the valve or attachments to blow off and could cause severe bodily injury or property damage.

- The valve clamp used on your valve has been manufactured with high quality corrosion resistant materials. The manufacturing process could allow sharp edges to be present on the parts. When working in and around the clamp use caution to prevent potential injury to fingers or hands from contact with sharp edges.
- Your valve is a pressure vessel and should never be serviced while under pressure. Always relieve tank pressure and open air bleeder before attempting to service your valve.
- Open the manual air bleeder and stand clear of the filter/valve before restarting your pump.

## Winterizing Procedure

- Shut off pump and open the valve air bleeder.
- Drain and winterize the pump and filter per the manufacturer's instructions.
- Depress valve handle and rotate so valve pointer is on circular rib on valve top at area on valve marked WINTERIZE.

**NOTICE:** The valve should be left in this position during the shutdown season so the valve diverter has no pressure on the rubber seal.

## Troubleshooting Guide

<b>Problem</b>	<b>Cause</b>	<b>Remedy</b>
Leak to waste port	<ol style="list-style-type: none"> <li>1. Dirt or sand under seal.</li> <li>2. Damaged seal.</li> <li>3. Damaged valve body in seal area.</li> </ol>	<p>Remove valve top and clean seal area.            Replace valve top assembly.            Replace valve body.</p>
Leakage at port connections to valve	<ol style="list-style-type: none"> <li>1. Cracked ports.</li> <li>2. Did not use sealant on threads.</li> </ol>	<p>Replace valve body, use proper assembly and do not over tighten port connection.            Use sealant.</p>
Sand returning to pool	<ol style="list-style-type: none"> <li>1. Filter problem.</li> <li>2. Sand blowing thru air vent slots or between filter center pipe in valve.</li> </ol>	<p>Refer to filter manual.            Sand size too small or flow rate thru filter too high.</p>
Leakage at valve attachment to filter	Leakage past o-ring.	Remove valve and inspect o-ring & sealing surface. Replace as necessary.
Leakage at handle	Leakage past o-ring.	Replace valve top assembly.
Leakage at top of valve to valve body	Leakage past o-ring.	Remove valve and inspect o-ring & sealing surface, replace as necessary.
Leakage at sightglass with vacuum breaker	Dirt on sealing gasket.	Remove sightglass and rinse with cool water to remove dirt. Replace sightglass if damaged.

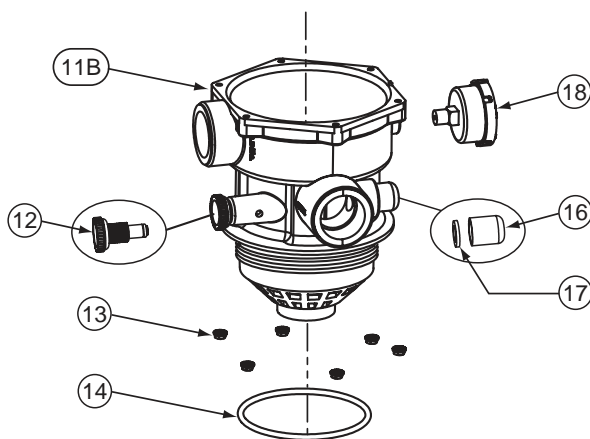
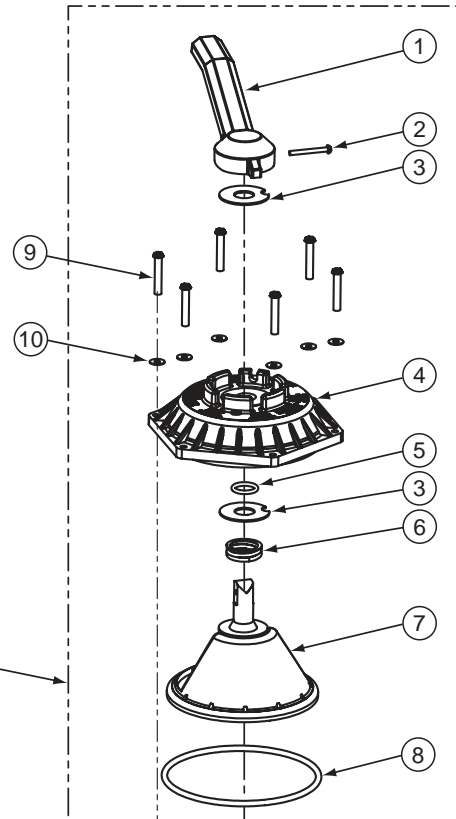
# HiFlow™ 6-WAY VALVE

## Replacement Parts

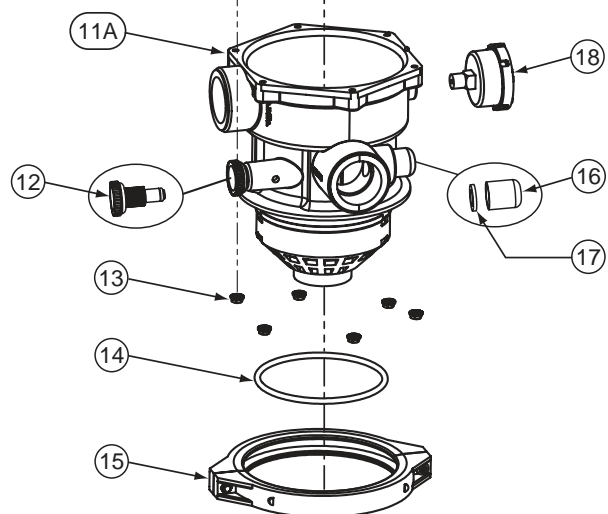
ITEM	P/N	DESCRIPTION
1	272520	HANDLE
2	272405	SCREW - HANDLE
3	272505	WASHER - 1.875" PLASTIC
4	270085	VALVE TOP - W/LABEL
5	272511	O-RING - .75" X 1" X 1/8"
6	272535	SPRING
7	272512	DIVERTER - VALVE W/GASKET
8	354053	O-RING - 3/16" DIA X 5-5/8" ID
9	354541	SCREW - SLOT HEX 10-24 X 1.5
10	272555	WASHER - 9/16" S/S
11A	272530	VALVE BODY - W/DIFFUSER CLAMP STYLE
11B	272538	VALVE BODY - W/DIFFUSER THREADED
12	273512	AIR BLEEDER - W/O-RING
13	272554	NUT - #10-24 SERR. FLANGED S/S
14	272541	O-RING - 4.60" ID x 3/16" DIA.
15	152165	CLAMP ASSY.
16	272550	SIGHTGLASS - W/VACUUM PROTECTOR
17	271106	GASKET - SIGHTGLASS
18	190059	PRESSURE GAGE
19	272531	HiFlow 1½" TOP VALVE ASSY.

### NOTE:

1. VALVE TOP ASSEMBLY P/N 272531 CONSISTS OF ITEMS 1 THRU 8 AND VALVE INSTRUCTIONS P/N 272517.
2. VALVES MANUFACTURED BEFORE MARCH 1, 1993, DO NOT CONTAIN ITEM 16 SIGHTGLASS OR ITEM 17 SIGHTGLASS GASKET.
3. CLAMP STYLE VALVES MANUFACTURED BEFORE MARCH 1, 1993, CONTAIN A DIFFERENT AIR BLEEDER WITH O-RING P/N 272515. THIS PART IS NOT INTERCHANGEABLE WITH P/N 273512.  
THREADED VALVES MANUFACTURED BEFORE MARCH 1, 1993, DO NOT CONTAIN AN AIR BLEEDER WITH O-RING.
4. ITEM 8 USED ON VALVES MANUFACTURED AFTER MAY 1, 1992, REPLACES P/N 272401-WASHER AND P/N 272400-SPRING.



**6" BUTTRESS STYLE VALVE**



**CLAMP STYLE VALVE**

## Filtres à Sable en Fibre de Verre Tagelus™

**Modèles:**

TA 40 / TA 40D

TA 50 / TA 50D

TA 60D

TA 100D

Modèle: TA 60 avec 



## Manuel d'Installation et d'Utilisation

CONSIGNES DE SÉCURITÉ IMPORTANTES  
PRIÈRE DE LIRE ET D'OBSERVER TOUTES LES CONSIGNES  
CONSERVER CETTE NOTICE

# Service Clients

Si vous avez des questions liées aux pièces de rechange, et aux produits de piscine de Pentair Water Pool and Spa, veuillez utiliser les coordonnées suivantes.

## **Service Clients / Support Technique** (8h00 à 17h00 heure normale du Pacifique)

Téléphone: (800) 831-7133 (appuyez sur la touche trois de la messagerie)

Télécopie: (800) 284-4151

## **Sanford, Caroline du Nord** (8h00 à 17h00 heure normale de l'Est)

Téléphone: (919) 566-8000

Télécopie: (919) 566-8920

## **Moorpark, Californie** (8h00 à 17h00 heure normale du Pacifique)

Téléphone: (805) 553-5000 (Ext. 5591)

Télécopie: (805) 553-5515

## Site web

visitez [www.pentairpool.com](http://www.pentairpool.com) ou [www.sta-ritepool.com](http://www.sta-ritepool.com) pour trouver des renseignements concernant Pentair Water Pool and Spa, Inc.



© 2009 Pentair Water Pool and Spa, Inc. Tous droits réservés.

Les renseignements se trouvant dans ce document sont assujettis à des changements sans préavis.

1620 Hawkins Ave., Sanford, NC 27330 • (800) 831-7133 • (919) 566-8000

10951 West Los Angeles Ave., Moorpark, CA 93021 • (800) 831-7133 • (805) 553-5000

**Marques de commerce et avis de non-responsabilité :** Tagelus™, HiFlow™, Pentair Pool Products™, Because reliability matter most™, ClearPro Technology™, ClearPro™ et Pentair Water Pool and Spa™ sont des marques de commerce et/ou des marques déposées de Pentair Water Pool and Spa, Inc. et/ou de ses filiales aux États-Unis et/ou dans d'autres pays. À moins qu'il en soit indiqué autrement dans ce document, l'utilisation des noms et marques d'autres sociétés ne présuppose nullement l'affiliation entre les propriétaires de ces noms et marques et la société Pentair Water Pool and Spa, Inc. ou leur endossement par cette dernière. Ces noms et marques peuvent être des marques de commerce ou des marques déposées appartenant à ces parties ou à d'autres.

Réf. P/N 155028 Rév. D 1/28/09



## Table des Matières :

---

Importantes Précautions Relatives à la Sécurité .....	ii
<b>Section 1: Installation .....</b>	<b>1</b>
Installer le Filtre à Sable en Fibre de Verre Tagelus™ .....	1
Comment Fonctionne votre Filtre Tagelus™ .....	1
Première Mise en Service .....	3
<b>Section 2: Entretien .....</b>	<b>4</b>
Entretien du Filtre Tagelus™ .....	4
Nettoyage du Filtre Tagelus™ .....	4
Procédure de Rétro Lavage du Filtre Tagelus™ .....	5
Procédure de Nettoyage Chimique .....	5
Hivernage de votre Filtre Tagelus™ .....	6
<b>Section 3: Dépannage .....</b>	<b>7</b>
<b>Section 4: Pièces de Rechange .....</b>	<b>8</b>
<b>HiFlow™ Vanne 6 Voies</b>	

# IMPORTANTES CONSIGNES DE SÉCURITÉ



## Mise en Garde Importante:

Ce manuel fournit les instructions de mise en service et d'utilisation des **Filtres à Sable en Fibre de Verre de la Série Tagelus™**. Consulter Pentair Eau pour toute question relative à cet équipement.

**AA l'Attention de l'Installateur:** Ce manuel contient d'importantes informations concernant l'installation, l'exploitation et l'utilisation de ce produit de manière sûre. Cette information doit être fournie au propriétaire et/ou à l'exploitant de cet équipement après l'installation, ou doit-être laissé sur ou bien à proximité de cet équipement.

**A l'Attention de l'Utilisateur:** Ce manuel contient d'importantes informations qui vous aideront à utiliser et entretenir ce filtre. Conservez-le pour pouvoir le consulter ultérieurement.



**AVERTISSEMENT** — Avant l'installation de ce produit, lire et respecter la totalité des avertissements et instructions inclus. Ne pas respecter les notices de sécurité peut entraîner des blessures graves, la mort ou l'endommagement du bien. Appeler le (800) 831-7133 pour obtenir des copies supplémentaires gratuites de ces instructions.

## Information et Sécurité du Consommateur

Les Filtres à Sable en Fibre de Verre de la Série Tagelus™ sont conçus et fabriqués pour donner de nombreuses années de fonctionnement sûr et fiable dès l'instant où sont installés, exploités et entretenus en accord avec les informations fournies dans le présent manuel et les normes d'installation référencés dans les sections suivantes. Les mises en garde concernant la sécurité et les précautions sont identifiés par le symbole “⚠” tout au long du manuel. Assurez-vous de lire et de respecter la totalité des avertissements et précautions.




### AVERTISSEMENT — CE FILTRE EST SOUMIS À HAUTE PRESSION




Lorsque l'on intervient sur l'un ou l'autre des composants du circuit de circulation (ex : bouchon, couvercle, pompe, filtre, robinet(s) etc.), l'air peut pénétrer n'importe où dans le circuit et devenir pressurisé. L'air sous pression peut occasionner une séparation du couvercle supérieur pouvant entraîner des blessures sérieuses, la mort ou l'endommagement du bien. Pour éviter ce danger potentiel, respectez ces instructions:


1. Si vous ne connaissez pas bien votre système de filtration de piscine et/ou de réchauffage:
  - a. **N'essayez Pas** de procéder à des réglages ou effectuer l'entretien sans consulter votre revendeur, ou un technicien de piscine qualifié.
  - b. Lisez la totalité du Manuel d'Installation et d'Utilisation avant de tenter d'utiliser, entretenir ou régler le système de filtration ou de réchauffage.
2. Avant de remettre la (les) vanne(s) en position et avant de commencer le montage, démontage, ou toute autre intervention sur le circuit : (A) Mettre la pompe sur **ARRÊT** et mettre **HORS SERVICE** tout automatisme pour garantir que le système ne soit PAS démarré par inadvertance pendant l'opération d'entretien ; (B) ouvrir le robinet manuel de purge d'air ; (C) attendre jusqu'à ce que toute pression soit évacuée.
3. Lors du montage du couvercle de filtre **RESPECTER EXACTEMENT LES INSTRUCTIONS RELATIVES AU COUVERCLE DE FILTRE.**
4. Une fois l'intervention sur le circuit terminée, **RESPECTER EXACTEMENT LES INSTRUCTIONS DE MISE EN SERVICE.**
5. Maintenir le circuit de circulation correctement. Remplacer les pièces usées ou endommagées immédiatement (par exemple : couvercle, manomètre, vanne(s), joints toriques, etc..)
6. S'assurer que le filtre est correctement monté et positionné suivant les instructions fournies.


## IMPORTANTES CONSIGNES DE SÉCURITÉ (Suite)

 **ADVERTISSEMENT** — Ce filtre doit être installé par un électricien agréé ou certifié ou une personne d'entretien de piscine qualifiée en accord avec le Code Electrique National (National Electrical Code) et toute normes ou ordonnances locales applicables. Une installation incorrecte peut entraîner la mort ou des blessures graves aux utilisateurs de piscine, installateurs ou autres personnes, et peut également occasionner des dommages aux biens.

Toujours couper l'alimentation électrique du circuit de circulation de la piscine au niveau du disjoncteur électrique avant de procéder à l'entretien du filtre. S'assurer que le circuit déconnecté est verrouillé ou correctement identifié de façon à ce qu'il ne puisse être enclenché pendant que vous travaillez sur le filtre. Ne pas respecter cela peut entraîner la mort ou des blessures sérieuses aux installateurs, utilisateurs de piscine, ou autres personnes par électrocution.


 **ADVERTISSEMENT** — Ne pas mettre en fonctionnement le filtre avant que vous ayez clairement lu et compris les instructions de fonctionnement et les messages d'avertissement concernant la totalité des équipements constituant le circuit de circulation de la piscine. Les instructions suivantes sont conçues pour guider la mise en service initiale du filtre lors d'une installation générale de piscine. Un manquement au bon suivi des instructions de fonctionnement et aux messages d'avertissement peut occasionner un endommagement des biens, de sérieuses blessures aux personnes, ou la mort.

 **ADVERTISSEMENT** — Pour réduire le risque de blessure, ne pas permettre aux enfants d'utiliser ce produit, à moins qu'ils ne soient surveillés de près à tout moment.

 **ADVERTISSEMENT** — Du fait du risque potentiel pouvant exister, il est recommandé que la pression d'épreuve soit maintenue le temps minimum requis par le code local. N'autoriser quiconque à travailler autour du système quand le circuit de circulation est sous épreuve de pression. Mettre en place des signaux appropriés d'avertissement et établir une barrière autour des équipements sous pression. Si les équipements sont situés dans un local, verrouiller la porte et mettre un signal d'avertissement.



Ne jamais essayer de procéder au réglage de bouchons ou couvercles, ou tenter de retirer ou de serrer des boulons lorsque le circuit est sous pression. Ces actions peuvent occasionner l'éclatement du couvercle et pourraient occasionner de sérieuses blessures individuelles ou bien la mort s'ils venaient à heurter une personne.

 **ADVERTISSEMENT** — Ne jamais dépasser la pression d'utilisation maximum des composants du circuit. Excéder ces limites pourrait causer la détérioration d'un composant par la pression. Cette libération instantanée d'énergie peut causer l'éclatement du couvercle et pourrait occasionner de graves blessures individuelles ou bien la mort s'ils venaient à heurter une personne.



Page blanche.

# Section 1

## Installation

**Remarque:** Avant d'installer ce produit, lire et respecter tous les avis de mise en garde et les instructions.

### Installation du Filtre à Sable en Fibre de Verre Tagelus™

Le Filtre à Sable en fibre de Verre Tagelus™ ne doit être installé que par un technicien d'entretien qualifié. Ce filtre est conçu et prévu pour filtrer l'eau.

#### Tagelus™ Introduction

L'information générale qui suit décrit comment installer le Filtre à Sable en fibre de Verre Tagelus™. Ce filtre fonctionne sous pression et, s'il est mal monté ou utilisé alors que de l'air est présent dans le circuit d'eau, son couvercle risque de se désolidariser, ce qui peut avoir pour résultat un accident occasionnant des dégâts matériels importants ou blessures graves. Une étiquette d'avertissement a été collée sur le dessus du filtre et doit y rester. Maintenez les étiquettes de sécurité en bon état et remplacez-les si elles manquent ou sont illisibles.

#### Fonctionnement du Filtre

Le filtre à sable à grand débit est conçu pour fonctionner pendant de nombreuses années avec un minimum d'entretien et, lorsqu'il est installé, utilisé et entretenu conformément aux présentes instructions, fonctionnera pendant de nombreuses années sans problème.

Les impuretés sont recueillies dans le filtre lorsque l'eau traverse la vanne de régulation qui se trouve en haut de celui-ci et sont dirigées vers le bas, jusque sur la surface supérieure du lit desable. Elles sont recueillies dans le lit de sable et l'eau propre traverse le tuyau inférieur qui se trouve au bas du filtre, puis remonte par le tuyau central pour pénétrer dans la vanne de régulation située en haut du filtre. L'eau propre retourne ensuite à la piscine par la tuyauterie.


La pression s'élèvera et le débit vers la piscine s'abaissera au fur et à mesure que les impuretés s'accumulent dans le filtre. Celui-ci finira par être tellement obstrué par ces impuretés qu'il sera nécessaire de procéder à un lavage à contre-courant du filtre. Il est important de savoir quand effectuer cette opération. Celle-ci est décrite plus en détail dans les sections suivantes du présent livret.

Veillez noter qu'un filtre élimine les particules en suspension et n'épure pas la piscine. L'eau de celle-ci doit être épurée et sa composition doit être équilibrée pour qu'elle soit très claire.

Votre système de filtrage doit être conçu pour respecter la réglementation sanitaire locale applicable. Vous devez au minimum veiller à ce que votre système renouvelle la totalité de l'eau de votre piscine au moins deux fois par période de vingt-quatre heures.

Reportez-vous au **Tableau 1.** pour des données sur les spécifications des filtres.

NUMERO DE MODELE DE FILTRE	SURFACE DE FILTRAGE (M <sup>2</sup> , pi <sup>2</sup> )	DEBIT (L/MN, GAL/MN)	CAPACITE DE RENOUELEMENT (Litres/Gallons)			
			4 RENOUELEMENTS PAR JOUR	3 RENOUELEMENTS PAR JOUR	2,4 RENOUELEMENTS PAR JOUR	2 RENOUELEMENTS PAR JOUR
TA 40 / TA 40D	0,17 (1,8)	151 (40)	54510 (14400)	72680 (19200)	90850 (24000)	109019 (28800)
TA 50 / TA 50D	0,21 (2,3)	189 (50)	68137 (18000)	90850 (24000)	113562 (30000)	136274 (36000)
TA 60 ClearPro™ / TA 60D	0,29 (3,1)	227 (60)	81765 (21600)	109019 (28800)	136274 (36000)	163529 (43200)
TA 100D	0,45 (4,9)	378 (100)	136274 (36000)	181699 (48000)	227124 (60000)	272549 (72000)

 **AVERTISSEMENT** — Une non-utilisation de votre système de filtrage ou un filtrage insuffisant peut provoquer un manque de clarté de l'eau gênant la visibilité dans votre piscine. Quelqu'un peut ainsi plonger dans ou sur des objets qu'il ne peut voir, risquant de se blesser gravement, voire de se noyer.

L'eau claire est produite par un filtrage approprié et une composition chimique correcte de l'eau. Le traitement chimique d'une piscine est l'affaire de spécialistes et il convient que vous consultiez votre spécialiste local de l'entretien des piscines à propos de points particuliers. En règle générale, pour que l'eau d'une piscine soit correctement épurée, elle doit présenter un niveau de chloration de 1 à 2 ppm et un pH compris entre 7,2 et 7,6.

**⚠ ADVERTISSEMENT** — Les filtres ne doivent jamais subir des essais à l'air ou au gaz comprimé ni être exposés à ceux-ci. Tous les gaz sont compressibles et, lorsqu'ils sont comprimés, sont dangereux. Des blessures graves ou des dégâts matériels importants peuvent résulter de l'exposition d'un filtre à de l'air ou à du gaz sous pression.



- Examinez le carton pour rechercher toute trace de dégâts dus à une manutention brutale en cours de transport. Si le carton ou tout élément du filtre est endommagé, avisez-en le transporteur immédiatement.
- Retirez avec précaution du carton la vanne, ses accessoires et le réservoir du filtre.
- Montez le filtre sur une dalle fixe, consistant de préférence en béton coulé dans un coffrage, ou sur une plateforme construite en bloc concret ou en briques. N'UTILISEZ PAS de sable pour mettre le filtre à niveau ni pour monter la pompe, car il sera emporté par l'eau.
- Prévoyez un accès suffisamment spacieux et bien éclairé pour l'entretien. Ne montez pas de commandes électriques au-dessus du filtre. Vous devez pouvoir vous écarter de celui-ci lorsque vous mettez la pompe en marche. L'espace minimum nécessaire est indiqué sur la grande plaque signalétique du filtre.
- Spécifications du sable-veille à utiliser le sable approprié indiqué sur le **Tableau 2**. Avant de verser le sable dans le filtre, regardez à l'intérieur de celui-ci et vérifiez le ponceau inférieur pour rechercher tout élément latéral (ou doigt) cassé ou desserré, susceptible d'avoir été endommagé accidentellement par une manutention brutale lors du transport. Remplacez toute pièce cassée si nécessaire.
- Installez le guide-sable à la partie supérieure du filtre et videz de l'eau dans le réservoir pour le remplir environ à moitié. Versez doucement le sable dans le filtre de façon à ce que le poids du sable n'endommage pas les éléments latéraux. Voir le **Tableau 2** pour les quantités de sable appropriées. Une fois que vous avez rempli le filtre au niveau approprié, retirez le guide-sable et jetez-le. Enlevez le sable qui s'est déposé autour de l'ouverture supérieure du réservoir.
- Vérifiez que toutes les surfaces d'étanchéité sont propres et appliquez une mince couche de lubrifiant à base de silicone sur le joint torique de la vanne.
- Positionnez la vanne de façon à ce que les orifices soient dans la position finale désirée. Suivez les instructions de pose de la vanne ci-jointes.
- Branchez la tuyauterie et ses raccords à la pompe et à la vanne. L'ensemble de la tuyauterie doit être conforme à la réglementation locale et nationale concernant la plomberie et l'hygiène.

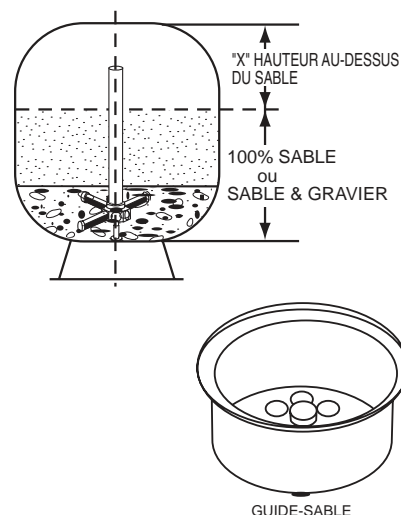
**REMARQUE :** La hauteur au-dessus du sable est la variable la plus importante et doit rester constante. La densité du sable varie et la quantité de sable donnée l'est à titre indicatif.

**Tableau 2. Spécifications Concernant le Sable de Filtrage**

NUMERO DE MODELE DE FILTRE	MATERIAU DE FILTRAGE (Kg, livres)			HAUTEUR AU-DESSUS DU SABLE "X"
	100% SABLE *	GRAVIER PISIFORME ‡	GRAVIER ET SABLE	
TA 40 / TA 40D	79,5 (175)	22,7 (50)	56,8 (125)	19,7 cm (7¾ po.)
TA 50 / TA 50D	102,3 (225)	22,7 (50)	79,5 (175)	23,5 cm (9¼ po.)
TA 60 ClearPro™ / TA 60D	147,7 (325)	22,7 (50)	125 (275)	26 cm (10¼ po.)
TA 100D	272,7 (600)	68,2 (150)	204,5 (450)	28,6 cm (11¼ po.)

‡ Calibre du GRAVIER Pisiforme : DIA. de 3,1 à 6,25 mm (1/8 à 1/4 po.).

\* Calibre du SABLE : Particules de 0,45 à 0,55 mm (0,018 à 0,022 po.) de grosseur = Sable Siliceux No. 20 Standard à coefficient d'uniformité maximum de 1,75.



- Utilisez du mastic d'étanchéité sur tous les accouplements mâles de la tuyauterie et des raccords. N'utilisez que des mastics d'étanchéité adaptés à la tuyauterie en plastique. Soutenez la tuyauterie pour éviter toute contrainte exercée sur le filtre, la pompe ou la vanne.
- Les sections de tuyauterie de grande longueur et les coudes réduisent le débit. Pour obtenir le meilleur rendement, utilisez le moins possible de raccords, une tuyauterie de grand diamètre (3,75 cm [1-1/2 po.] au moins pour le Modèle TA 60, 5 cm [2 po.] pour le Modèle TA 100D) et positionnez l'équipement aussi près que possible de la piscine.

**⚠ ATTENTION** — Un fonctionnement à des niveaux de dépression excessifs peut provoquer des fissures dans le réservoir et des dégâts matériels.

12. Il est recommandé, lors de l'installation de tuyaux de lavage à contre-courant, de poser un casse-vide (pièce no. 272044) dans les installations dans lesquelles le tuyau de lavage à contre-courant à un diamètre de 3,75 cm (1-1/2 po.) et une longueur dépassant 12 m (40 pi.), ou si la sortie de ce tuyau se trouve au moins 3 m (10 pi.) en-dessous du niveau de la surface de l'eau dans la piscine. Par contre, un puits pour casse-vide peut être prévu sur les systèmes utilisant des tuyaux de lavage à contre-courant d'un diamètre d'au moins 5 cm (2 po.).
13. Il est recommandé de poser une soupape de retenue entre le filtre et l'élément chauffant pour empêcher l'eau chaude d'être "refoulée", ce qui endommagerait le filtre et la vanne.
14. La pression maximum de service de cet appareil est 345 kPa (50 psi). Ne faites jamais fonctionner ce filtre à une pression supérieure et ne lui reliez jamais une pompe dont la pression d'arrêt dépasse 345 kPa (50 psi).
15. N'installez jamais un appareil de chloration en amont de filtre. Positionnez-le toujours en aval en posant une soupape de retenue entre lui et le filtre.
16. Il n'est pas recommandé de poser une vanne d'arrêt contrôlée à la sortie du système de filtrage. Si celui-ci fonctionne avec une telle vanne fermée, le système interne de purge d'air s'arrête de fonctionner, ce qui peut présenter un risque d'explosion. D'autre part, le fonctionnement du système à see endommagera gravement l'équipement.
17. N'entreposez jamais les produits chimiques destinés à la piscine à moins de 3 mètres (10 pieds) du filtre, de la pompe ou de la vanne. Ces produits doivent toujours être entreposés dans un endroit frais, sec et bien aéré.

**⚠ AVERTISSEMENT** — Les vapeurs de produits chimiques et/ou renversements de ceux-ci peuvent corroder gravement les éléments essentiels du filtre et de la pompe. L'affaiblissement structurel de ces éléments peut provoquer un éclatement de la vanne ou des accessoires du filtre et occasionner des blessures graves et/ou dégâts matériels importants.

## Mise en Service Initiale

1. Nettoyez une piscine neuve avant de la remplir d'eau. La présence d'un excès d'impuretés et de grosses particules peut endommager la pompe et le filtre.
2. Vérifiez que le tuyau de lavage à contre-courant n'est pas obstrué, de façon à ce que l'eau puisse librement venir de la piscine et s'écouler par ce tuyau. Placez la vanne de régulation dans la position correspondant à ce lavage.
3. Vérifiez que la cuve de la crépine de la pompe est pleine d'eau. Remettez le couvercle de la pompe en place.

**⚠ AVERTISSEMENT** — La pénétration d'air dans le filtre et un mauvais serrage du collier de vanne peuvent provoquer un éclatement de la vanne et occasionner des blessures graves et/ou des dégâts matériels.

4. Vérifiez le serrage du collier de la vanne du Tagelus.
5. Ouvrez le purgeur d'air manuel de la vanne 6 voies (sauf sur le TA 100D). **Écartez-vous de ce dernier** et mettez la pompe en marche en lui laissant le temps de s'amorcer.
6. Refermez le purgeur d'air de la vanne 6 voies (sauf sur le TA 100D) lorsque l'eau s'écoule en un jet continu.

---

### AVIS :

Le sable de filtrage pour piscine est généralement prélavé et ne devrait pas demander un lavage à fond à contre-courant. Il se peut toutefois que le transport provoque une abrasion excessive, ce qui pourrait imposer un cycle prolongé de lavage à contre-courant lors de la mise en marche initiale ; continuez ce lavage jusqu'à ce que l'eau observée dans le regard en verre soit aussi claire que celle de la piscine.

---

**⚠ ATTENTION** — Pour éviter d'endommager l'équipement et de causer de possibles blessures, arrêtez toujours la pompe avant de changer la position de la vanne.

7. Arrêtez la pompe. Placez la vanne en position de filtrage.
  8. Vérifiez que tous les tuyaux d'aspiration et de retour à la piscine ne sont pas obstrués, pour que l'eau puisse librement venir de la piscine et y retourner.
  9. Ouvrez le purgeur d'air manuel de la vanne 6 voies (Sauf sur le TA 100D). **Écartez-vous de ce dernier** et mettez la pompe en marche.
  10. Refermez le purgeur d'air de la vanne 6 voies (Sauf sur le TA 100D) lorsque l'eau s'écoule en un jet continu.
  11. Le filtre a alors entamé son cycle de filtrage. Vous devez vérifier que l'eau retourne à la piscine et noter la pression de service lorsque le filtre est propre.
-

# Section 2

---


## Entretien

Cette section décrit la manière d'entretenir votre Filtre à Sable en Fibre de Verre Tagelus™.

### Entretien du Filtre

Le filtre joue un rôle très important dans l'équipement et l'installation de votre piscine. Si vous lui apportez le soin et l'entretien qui conviennent, sa durée de service sera prolongée de nombreuses années pendant lesquelles vous pourrez profiter de votre piscine. Respectez les suggestions qui suivent pour que le système fonctionne pendant longtemps sans problème.

1. Pour débarrasser l'extérieur du filtre des impuretés et de la poussière, lavez-le avec une solution de détergent doux et d'eau et rincez-le au jet. N'utilisez pas de solvants.
2. Si un entretien de l'intérieur du filtre s'avère nécessaire, vous pouvez vider le sable en enlevant l'ensemble du robinet de vidange du bas du filtre et en rinçant celui-ci au jet. Vous pouvez également vous servir d'un aspirateur à sable Pentair Water Pool and Spa (pièce no. 542090).
3. Si, au bout d'un certain nombre d'années, la couleur du réservoir du filtre semble se voiler ou sa surface devenir rugueuse, vous pouvez peindre celle-ci. Nous recommandons pour cela d'appliquer au pistolet une peinture émaillée à séchage rapide. Ne peignez pas la vanne.

 **AVERTISSEMENT** — Examinez toujours visuellement les éléments du système pendant l'entretien courant pour vérifier leur intégrité. Remplacez tout élément corrodé, tordu ou apparemment défectueux. Des éléments de filtre défectueux peuvent entraîner un éclatement du dessus ou des accessoires du filtre susceptible de provoquer des blessures graves ou dégâts matériels importants.

4. Le collier de vanne utilisé sur le filtre Tagelus a été fabriqué en utilisant des matériaux anti-corrosion de haute qualité. Le procédé de fabrication peut entraîner la présence de bords coupants sur les pièces. Faites preuve de prudence lorsque vous manipulez le collier pour ne pas risquer de vous blesser les doigts ou les mains par contact brusque avec ses bords coupants.
5. Votre filtre est un réservoir sous pression et vous ne devez jamais en effectuer l'entretien lorsqu'il est pressurisé. Vous devez toujours délester la pression dans le réservoir et ouvrir le purgeur d'air de la vanne du Tagelus avant de procéder à l'entretien du filtre.
6. Lorsque vous remettez le filtre en marche, ouvrez toujours le purgeur d'air de la vanne du Tagelus et écartez-vous du filtre.


### Frequence de Nettoyage

1. Le filtre d'une piscine neuve doit être lavé à contre-courant et nettoyé au bont des 48 premières heures de fonctionnement pour en éliminer la poudre de plâtre et/ou les débris résultant de la construction.
2. Il y a trois façons de savoir quand le filtre doit être lavé à contre-courant :
  - a. L'indication la plus précise qu'un lavage à contre-courant est nécessaire est, sur les systèmes équipés d'un débitmètre, que le débit diminue de 30% par rapport au débit initial (filtre propre). Si, par exemple, le débit initial était de 227 l/mn (60 gal/mn), il convient de laver le filtre à contre-courant lorsque le débit diminue de 75,7 l/mn (20 gal/mn) pour atteindre 151,3 l/mn (40 gal/mn).
  - b. Une indication plus subjective et moins précise est donnée par l'observation du débit des sorties d'eau directionnelles qui se trouvent dans la paroi de la piscine. Le filtre doit être lavé à contre-courant lorsque vous constatez que ce débit s'est réduit.
  - c. L'indication la plus communément utilisée et la moins précise de devoir laver à contre-courant est l'augmentation de 68,9 kPa (10 psi) par rapport à la valeur initiale (filtre propre) de la pression indiquée par le manomètre du filtre.



3. Il est important de ne pas laver le filtre à contre-courant uniquement à des intervalles de temps, comme par exemple tous les trois jours. Il est également important de noter qu'un lavage à contre-courant trop fréquent provoque en fait un mauvais filtrage. Des facteurs tels que les conditions atmosphériques, de fortes pluies, de fortes concentrations de poussière ou de pollen et les températures de l'eau affectent tous la fréquence du lavage à contre-courant. Vous deviendrez conscient de ces influences lorsque vous vous serez familiarisé avec l'utilisation de votre piscine.
4. Si à un moment quelconque la pression de démarrage **après** un lavage à contre-courant du filtre dépasse de 27,6 à 41,4 kPa (4 à 6 psi) la pression de démarrage normale, il est temps de procéder à un nettoyage chimique.

## Lavage a Contre-Courant du Filtre

 **ATTENTION** — Pour éviter d'endommager l'équipement et de causer de possibles blessures, arrêtez toujours la pompe avant de changer la position de la vanne.

1. Arrêtez la pompe.
2. Vérifiez que les tuyaux d'aspiration et de lavage à contre-courant ne sont pas obstrués, de façon à ce que l'eau puisse librement venir de la piscine et s'écouler par le tuyau de lavage à contre-courant. Placez la vanne de régulation dans la position correspondant à ce lavage.
3. **Ecartez-vous du filtre** et mettez la pompe en marche.
4. Lavez le filtre à contre-courant pendant 3 à 5 minutes environ, ou jusqu'à ce que l'eau de lavage à contre-courant soit propre.
5. Arrêtez la pompe et placez la vanne en position de rinçage.
6. **Ecartez-vous du filtre** et mettez la pompe en marche.
7. Rincez le filtre pendant 30 secondes environ.
8. Arrêtez la pompe et placez la vanne en position de filtrage.
9. Vérifiez que le tuyau de retour à la piscine n'est pas obstrué, pour que l'eau puisse librement venir de la piscine et y retourner.
10. Ouvrez le purgeur d'air manuel de la vanne 6 voies (Sauf sur le TA 100D). **Ecartez-vous du filtre et mettez la pompe en marche.**
11. Refermez le purgeur d'air de la vanne 6 voies (Sauf sur le TA 100D) lorsque l'eau s'écoule en un jet continu.
12. Le filtre a alors entamé son cycle de filtrage. Vous devez vérifier que l'eau retourne à la piscine et noter la pression du filtre.
13. La pression du filtre relevée à l'étape 12 ci-dessus ne doit pas dépasser celle qui a été observée à l'origine lors de la mise en route initiale du filtre. Si, à l'issue du lavage à contre-courant, la pression est supérieure de 27,6 à 41,4 kPa (4 à 6 psi) à la pression relevée lors de la mise en route, il sera nécessaire de nettoyer chimiquement le lit de sable.

## Nettoyage Chimique

1. Il est recommandé d'utiliser l'un des produits nettoyants suivants :
  - a. FILTER-CLEANSE – Great Lakes Biochemical
  - b. FITLER-FREE – Hydrotech Chemical Corp.
  - c. KLEEN-IT – Bio Lab, Inc.

Ces produits nettoyants élimineront l'huile, le tartre et la rouille du lit de sable en une seule opération de nettoyage.

2. Préparez une solution en suivant les instructions données par le fabricant sur l'étiquette.
3. Nettoyez le filtre à contre-courant en positionnant la vanne multivoie comme indiqué plus haut.
4. Si le filtre est au-dessous du niveau de la piscine, arrêtez la pompe et fermez les vannes appropriées pour éviter de vider la piscine.
5. Arrêtez la pompe, ouvrez le robinet de vidange du filtre et laissez celui-ci se vider. Placez la vanne en position de lavage à contre-courant.
6. Une fois que le filtre s'est vidé, refermez son robinet de vidange et enlevez le couvercle de la crépine de la pompe.
7. Vérifiez que les tuyaux de lavage à contre-courant ne sont pas obstrués.

## 6 (fr)

8. Mettez la pompe en marche et videz lentement la solution de nettoyage dans la crépine de la pompe alors que celle-ci tourne. Si le filtre est au-dessous du niveau de la piscine, ouvrez légèrement la vanne d'arrêt pour permettre à la pompe de tourner.
9. Continuez à ajouter de la solution de nettoyage jusqu'à ce que le lit de sable en soit saturé.
10. Arrêtez la pompe et laissez le filtre en position de lavage à contre-courant. Laissez le filtre reposer pendant la nuit (12 heures).
11. Remettez le couvercle de la crépine en place et procédez à un lavage à contre-courant comme indiqué plus haut.
12. Empêchez la solution de nettoyage de pénétrer dans la piscine.

## Hivernisation du Filtre

1. Dans les régions dans lesquelles les températures hivernales descendent en-dessous de zéro, protégez l'équipement de la piscine en lavant le filtre à contre-courant.
2. Après le lavage à contre-courant, arrêtez la pompe, ouvrez le purgeur d'air manuel de la vanne 6 voies (Sauf sur le TA 100D) et placez la poignée de celle-ci en position d'hivernisation.
3. Retirez le bouchon du type à oreilles du bas du filtre. Celui-ci se videra très lentement et il est donc recommandé de laisser le bouchon retiré pendant l'inter-saison.  
**\*REMARQUE :** La vanne multivoie doit être laissée en position d'hivernisation pendant l'intersaison de façon à ce que son partiteur n'exerce aucune pression sur le joint en caoutchouc.
4. Vidangez toute la tuyauterie appropriée.
5. Nous recommandons de recouvrir l'équipement avec une toîle goudronnée ou une feuille plastique pour éviter toute détérioration due aux intempéries. N'enveloppez pas le moteur de la pompe avec du plastique.

## Section 3

## Dépannage

Utiliser les informations de dépannage suivantes pour résoudre des problèmes éventuels avec votre Filtre Tagelus™.

 **AVERTISSEMENT — CE FILTRE EST SOUMIS À HAUTE PRESSION**



Lorsque l'on intervient sur l'un ou l'autre des composants du circuit de circulation (ex : bouchon, couvercle, pompe, filtre, robinet(s) etc.), l'air peut pénétrer n'importe où dans le circuit et devenir pressurisé. L'air sous pression peut occasionner une séparation du couvercle supérieur pouvant entraîner des blessures sérieuses, la mort ou l'endommagement du bien. Pour éviter ce danger potentiel, respectez ces instructions:

1. Si vous ne connaissez pas bien votre système de filtration de piscine et/ou de réchauffage:
  - a. **N'essayez Pas** de procéder à des réglages ou effectuer l'entretien sans consulter votre revendeur, ou un technicien de piscine qualifié.
  - b. Lisez la totalité du Manuel d'Installation et d'Utilisation avant de tenter d'utiliser, entretenir ou régler le système de filtration ou de réchauffage.
2. Avant de remettre la (les) vanne(s) en position et avant de commencer le montage, démontage, ou toute autre intervention sur le circuit : (A) Mettre la pompe sur **ARRÊT** et mettre **HORS SERVICE** tout automatisme pour garantir que le système ne soit PAS démarré par inadvertance pendant l'opération d'entretien ; (B) ouvrir le robinet manuel de purge d'air ; (C) attendre jusqu'à ce que toute pression soit évacuée.
3. Lors du montage du couvercle de filtre **RESPECTER EXACTEMENT LES INSTRUCTIONS RELATIVES AU COUVERCLE DE FILTRE.**
4. Une fois l'intervention sur le circuit terminée, **RESPECTER EXACTEMENT LES INSTRUCTIONS DE MISE EN SERVICE.**
5. Maintenir le circuit de circulation correctement. Remplacer les pièces usées ou endommagées immédiatement (par exemple : couvercle, manomètre, vanne(s), joints toriques, etc..)
6. S'assurer que le filtre est correctement monté et positionné suivant les instructions fournies.

**Remarque:** Préalablement isoler l'alimentation électrique de l'équipement avant de tenter une intervention ou une réparation.

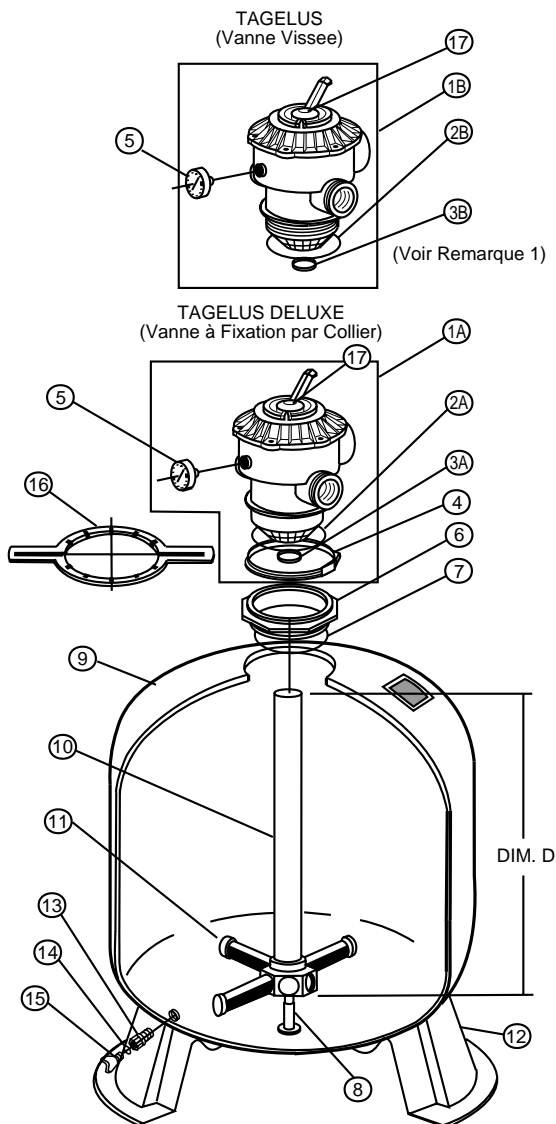
PROBLÈME	CAUSE	SOLUTION
<b>Eau de la piscine insuffisamment propre.</b>	<ol style="list-style-type: none"> <li>1. Composition chimique de l'eau de la piscine inadéquate pour empêcher la croissance des algues.</li> <li>2. Lavage à contre-courant trop fréquent.</li> <li>3. Quantité ou calibre incorrect de sable.</li> <li>4. Cadence de renouvellement inadéquate.</li> </ol>	<p>Maintenez la composition chimique correcte de l'eau de la piscine ou consultez un technicien d'entretien spécialisé.</p> <p>Laissez la pression augmenter jusqu'à 68,9 kPa (10 psi) au-dessous de la pression avec filtre propre avant de laver à contre-courant.</p> <p>Vérifiez l'épaisseur du lit de sable et le calibre de ce dernier ou consultez un technicien d'entretien spécialisé.</p> <p>Faites fonctionner le système pendant plus longtemps ou consultez votre revendeur ou un technicien d'entretien spécialisé.</p>
<b>Pression trop élevée dans le filtre.</b>	<ol style="list-style-type: none"> <li>1. Lavage à contre-courant insuffisant.</li> <li>2. Lit de sable encombré de dépôts minéraux.</li> <li>3. Vanne partiellement fermée ou tuyau de retour obstrué.</li> </ol>	<p>Lavez à contre-courant jusqu'à ce que l'eau de lavage soit claire.</p> <p>Nettoyez chimiquement le filtre.</p> <p>Ouvrez la vanne ou débouchez le tuyau de retour.</p>
<b>Cycles trop courts.</b>	<ol style="list-style-type: none"> <li>1. Lavage à contre-courant incorrect.</li> <li>2. Composition chimique de l'eau de la piscine inadéquate pour empêcher la croissance des algues.</li> <li>3. Lit de sable salé.</li> <li>4. Débit trop élevé.</li> </ol>	<p>Lavez à contre-courant jusqu'à ce que l'eau de lavage soit claire.</p> <p>Maintenez la composition chimique correcte de l'eau de la piscine ou consultez un technicien d'entretien spécialisé.</p> <p>Retirez à la main une épaisseur de 25 mm (1 po.) sur le dessus du lit de sable et nettoyez chimiquement comme il convient.</p> <p>Ramenez le débit à la capacité du filtre.</p>
<b>Réduction du débit de retour de l'eau vers la piscine. Pression trop basse dans le filtre.</b>	<ol style="list-style-type: none"> <li>1. Colmatage du filtre à cheveux et peluches de la pompe.</li> <li>2. Obstruction dans la pompe.</li> <li>3. Tuyau d'aspiration de la pompe obstrué.</li> </ol>	<p>Nettoyez le filtre.</p> <p>Démontez et nettoyez la pompe.</p> <p>Nettoyez le panier de collecteur. Débouchez les tuyaux.</p> <p>Ouvrez les vannes du tuyau d'aspiration.</p>
<b>Retour de sable dans la piscine.</b>	<ol style="list-style-type: none"> <li>1. Élément latéral de vidange par le bas cassé.</li> <li>2. Lavage à contre-courant effectué à trop grand débit.</li> <li>3. Le filtre à air de la vanne du Tagelus est endommagé ou absent.</li> </ol>	<p>Remplacez les éléments latéraux cassés ou endommagés.</p> <p>Réduisez le débit du lavage à contre-courant.</p> <p>Remplacez les pièces endommagées.</p>

# Section 4

## Pièces de Rechange

### FILTRE A SABLE TAGELUS™

TA 40 / TA 40D  
TA 50 / TA 50D  
TA 60 ClearPro™ / TA 60D  
TA 100D



MODELE	DIM. A	DIM. B	DIM. C
TA 40	117 cm (46 po.)	93,9 cm (37 po.)	47,6 cm (18¾ po.)
TA 50	128,3 cm (50½ po.)	97,8 cm (38½ po.)	54 cm (21¼ po.)
TA 60 ClearPro™	144,8 cm (57 po.)	108 cm (42½ po.)	62,2 cm (24½ po.)
TA 40D	119,4 cm (47 po.)	93,9 cm (37 po.)	49,5 cm (19½ po.)
TA 50D	130,8 cm (51½ po.)	100,3 cm (39½ po.)	54,6 cm (21½ po.)
TA 60D	144,8 cm (57 po.)	108 cm (42½ po.)	62,2 cm (24½ po.)
TA 100D	166,4 cm (65½ po.)	120 cm (47¼ po.)	77,4 cm (30½ po.)

#### AVIS IMPORTANT

L'adaptateur de vanne utilise sur les filtres TA 40D, 50D, et 60D fabriqués après le 1<sup>er</sup> Novembre 1994 est équipé d'un joint frontal d'un nouveau modèle consistant en un joint d'étanchéité carré de couleur blanche, Pièce N° 154494.

Le joint torique noir, Pièce N° 154493, utilise sur nos filtres TA 40D, 50D, et 60D fabriqués avant le 1<sup>er</sup> Novembre 1994 ne peut être remplacé par le nouveau joint d'étanchéité Pièce N° 154494.

Lorsque vous commandez un joint de rechange, n'oubliez pas de préciser le joint dont est équipé l'adaptateur de votre filtre.

#### DÉTAIL A

Après 1er Nov. de 1991

RACCORD FILETE 15 CM (6 PO.)



#### DÉTAIL B

Avant del 1er de Nov. de 1991

FILETAGE TRIANGULAIRE 15 CM (6 PO.)



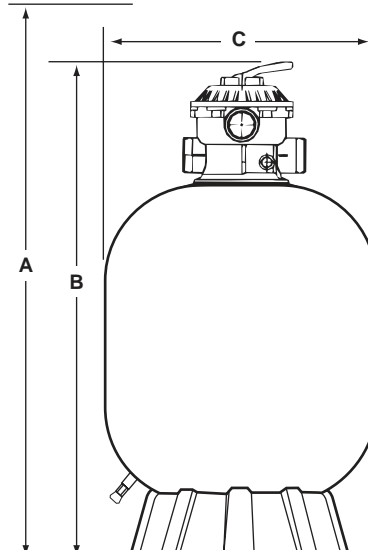
#### REMARQUES

Filtres fabriqués après le 1er novembre 1991 : utiliser un filetage trapèze rectangulaire de 6 pouces pour l'ouverture supérieure du corps du filtre ainsi que pour le couvercle. Voir Détail A.

Filtres fabriqués avant le 1er novembre 1991 : utiliser un filetage en « V » de 6 pouces. Voir Détail B.

**Les couvercles de 6 pouces des Détails A et B ne sont PAS interchangeables.**

Dégagement nécessaire à la dépose de la vanne et de la tuyauterie intérieure



# FILTRE A SABLE TAGELUS™

## Pièces de Rechange

**REMARQUE 1:** L'élément 3A Joint Torique-Colonne d'alimentation est utilisé sur les filtres du Modelé TA100D uniquement. L'élément 3B Joint Torique-Colonne d'alimentation est utilisé uniquement sur les filtres Tagelus des Modelés TA 30, 35, 40, 50, et 60 fabriqués avant Avril 1993. L'élément 3B n'est utilisé sur aucun filtre Tagelus Deluxe des Modelés TA 30D, 35D, 40D, 50D, et 60D, ni Tagelus des Modelés fabriqués après Avril 1993.

**REMARQUE 2:** L'ensemble réservoir/pieds du Tagelus Deluxe est équipé d'un adaptateur de vanne (Élément 6) monté à l'usine.

**REMARQUE 3:** Le remplacement des pieds du réservoir exige l'utilisation de ruban adhésif. Voir la liste pour le numéro de pièce.

**REMARQUE 4:** Graisser abondamment les joints toriques avec du lubrifiant silicone et serrer aux spécifications suivantes : TA 30D, 35D, 40D, 50D, et 60D. serre à la main, plus ¼ turn min. TA 100D serre à la main, plus ¾ tour min.

**REMARQUE 5:** Les filtres Tagelus des Modelés TA 30, 40, 50, et 60 fabriqués après le 1er Novembre 1991 comportent une ouverture supérieure fileté et utilisent une vanne vissée de couleur noire (voir Détail A). La disposition des orifices a été modifiée en Avril 1993, ce qui imposera des modifications mineures au raccordement de la vanne à la tuyauterie lors du remplacement des vannes des filtres fabriqués entre Nov. '91 et Mars '93. **LES TYPES DE FILETAGES NE SONT PAS INTERCHANGEABLES.**

**REMARQUE 6:** Les filtres Tagelus des Modelés TA 30, 35, 40, 50, et 60 fabriqués avant le 1er Novembre 1991 sont équipés d'une vanne à filetage triangulaire de couleur blanche ou marron. Ces vannes ne peuvent être remplacées que par des vannes à filetage du même type, Pièce N°. 261124. **LES TYPES DE FILETAGES NE SONT PAS INTERCHANGEABLES.**

**REMARQUE 7:** Les filtres Tagelus Deluxe des Modelés TA 30D, 35D, 40D, 50D, et 60D fabriqués après le 1er Novembre 1991 comportent une ouverture supérieure pour raccord fileté et utilisent un adaptateur de vanne vissée, Pièce N°. 154555. **LES TYPES DE FILETAGES NE SONT PAS INTERCHANGEABLES.**

**REMARQUE 8:** Les filtres Tagelus Deluxe des Modelés TA 30D, 35D, 40D, 50D, et 60D fabriqués avant le 1er Novembre 1991 comportent une ouverture supérieure à filetage triangulaire et utilisent un adaptateur de vanne à filetage triangulaire, Pièce N°. 155225. **LES TYPES DE FILETAGES NE SONT PAS INTERCHANGEABLES.**

**REMARQUE 9:** Les filtres Tagelus Deluxe des Modelé TA 100D fabriqués avant le 1er Decembre 1993 comportent un filetage différent sur leur réservoir et exigent un adaptateur de 21,2 cm (8½ po.) différent, Pièce N°. 154521.

TA 40D	①
TA 50D	②
TA 60D	③
TA 100D	④
TA 60 (ClearPro™)	⑤
TA 50 (Avec 1/4 Virage)	⑥

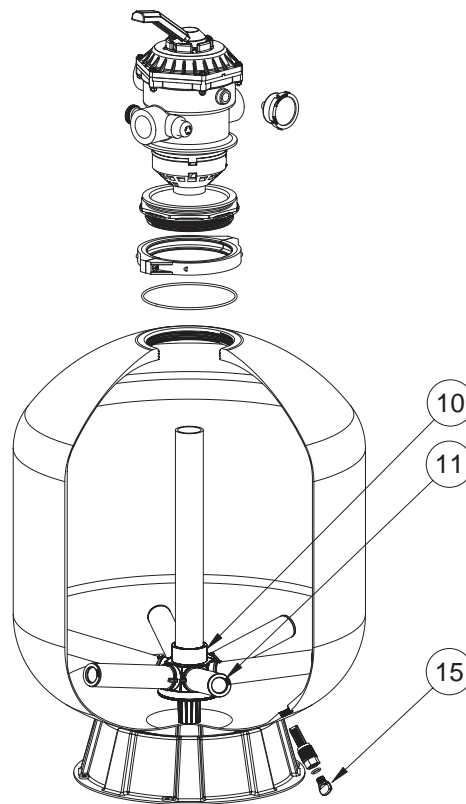
Pour déterminer la date de fabrication : les quatre premiers chiffres du numéro de série indiquent le mois et l'année où le produit fut fabriqué.

Élé-ment	Pièce No.	Description
1A	262506	VANNE 37,5 MM (1½ po.) SIX POS., A FIXATION PAR COLLIER ①②③
1A	261185	VANNE 50 MM (2 po.) SIX POS., A FIXATION COLLIER ④
1B	261130	VANNE 37,5 MM (1½ po.) SIX POS., RACCORD FILETE (VOIR REMARQUE 5)
1B	261124	VANNE 37,5 MM (1½ po.) SIX POS., FILETAGE TRIANGULAIRE (VOIR REMARQUE 6)
2A	272541	JOINT TORIQUE-CORPS DE VANNE 4,7 MM X 11,6 CM (3/16 X 4¾ po.) DIA. INT. ①②③
2A	275333	JOINT TORIQUE-CORPS DE VANNE 4,7 MM X 16,2 CM (3/16 X 6½ po.) DIA. INT. ④
2B	154493	JOINT TORIQUE-CORPS DE VANNE 3,9 MM X 14,4 CM (.157 X 5.75 po.) DIA. INT. - TA 40/50/60
3A	355330	JOINT TORIQUE-COLONNE D'AILMENTATION 3 MM X 5,9 CM (1/8 X 2-3/8 po.) DIA. INT. - (VOIR REMARQUE 1) ④
3B	155064	JOINT TORIQUE-COLONNE D'AILMENTATION 3 MM X 4,7 CM (1/8 X 1-7/8 po.) DIA. INT. - TA 40/50/60 (VOIR REMARQUE 1) ①②③
4	152165	COLLIER 16,2 CM (6½ po.) DIA. ACIER INOX., PLASTIQUE ①②③
4	152130	COLLIER 20,9 CM (8.35 po.) DIA. ④
5	190059	MANOMETRE-MONTE PAR L'ARRIERE
6	154555	ADAPTEUR-RACCORD FILETE 15 CM (6 po.) (VOIR REMARQUES 4 & 7) ①②③
6	155225	ADAPTEUR-FILETAGE TRIANGULAIRE 15 CM (6 po.) (VOIR REMARQUES 4 & 8) ①②③
6	154521	ADAPTEUR-RACCORD FILETE 21,2 CM (8½ po.) (VOIR REMARQUE 4 & 9) ④
7	154494	JOINT TORIQUE-ADAPTEUR DE VANNE 3,2 MM X 15,9 CM (1/8 X 6¼ po.) DIA. INT. ①②③
7	355619	JOINT TORIQUE-ADAPTEUR DE VANNE 4,7 MM X 20,6 CM (3/16 X 8¼ po.) DIA. INT. ④
8	155002	STABILISATEUR, CENTRER TUYAU
9	155276	ENSEMBLE RESERVOIR & PIEDS AVEC ADAPTEUR DE VANNE (REMARQUES 2, 7 & 8) ①
9	155279	ENSEMBLE RESERVOIR & PIEDS AVEC ADAPTEUR DE VANNE (REMARQUES 2, 7 & 8) ②
9	155269	ENSEMBLE RESERVOIR & PIEDS AVEC ADAPTEUR DE VANNE (REMARQUES 2, 7 & 8) ③
9	155324	ENSEMBLE RESERVOIR & PIEDS AVEC ADAPTEUR DE VANNE (REMARQUES 2, 7 & 8) ④
9	155342	ENSEMBLE RESERVOIR & PIEDS AVEC RACCORD FILETE (REMARQUES 5 & 6) ①
9	155343	ENSEMBLE RESERVOIR & PIEDS AVEC RACCORD FILETE (REMARQUES 5 & 6) ②
9	155358	ENSEMBLE RESERVOIR & PIEDS AVEC RACCORD FILETE (REMARQUES 5 & 6) ③
10	155061	TUYAUTERIE (DIM. D = 44,4 CM [17¼ po.]) ①
10	155062	TUYAUTERIE (DIM. D = 49,7 CM [19-7/8 po.]) ②
10	155334	TUYAUTERIE (DIM. D = 49,7 CM [19-7/8 po.]) ③
10	155063	TUYAUTERIE (DIM. D = 56,6 CM [22-5/8 po.]) ④
10	155299	TUYAUTERIE (ClearPro™) - AVEC MOYEU (DIM. D = 56,6 CM [22-5/8 po.]) ⑤
10	155340	TUYAUTERIE - SANS MOYEU (DIM. D = 68 CM [27¼ po.]) ④
10	155323	TUYAUTERIE - AVEC MOYEU (DIM. D = 68 CM [27¼ po.]) ④

**FILTRE A SABLE TAGELUS™****Pièces de Rechange**

**TA 40 / TA 40D**  
**TA 50 / TA 50D**  
**TA 60 ClearPro™ / TA 60D**  
**TA 100D**

Element	Piece No.	Description
11	152290	ELEMENT LATERAL 16,7 CM (6-11/16 po.) DE LONG, 8 req. <b>1 2 3</b>
11	152202	ELEMENT LATERAL 22,8 CM (9-1/8 po.) DE LONG <b>4</b>
11	150088	ASSEMBLÉE LATERAL - ClearPro™, 6 req. <b>5</b>
11	150085	ASSEMBLÉE LATERAL - 1/4 VIRAGE, 6 req. <b>6</b>
12	154926	PIEDS - RESERVOIR (VOIR REMARQUE 3) <b>1 2 3</b>
12	154596	PIEDS - RESERVOIR (VOIR REMARQUE 3) <b>4</b>
13	154698	ROBINET - 18,7 MM (¾ po.) NPT VIDANGE DE SABLE
13	154685	ROBINET - 12,7 MM (½ po.) NPT VIDANGE DE SABLE
13	152220	ROBINET - 50,8 MM (2 po.) NPT VIDANGE DE SABLE <b>4</b>
14	192115	JOINT TORIQUE-BOUCHON DE VIDANGE - 1,6 X 12,7 MM (1/16 po. X ½ po.) DIA. INT.
15	357161	BOUCHON - 6,3 MM (¼ po.) NPT VIDANGE
16	154512	CLE - 16,2 CM (6½ po.) ENTRE PLATS <b>1 2 3</b>
16	151608	CLE - 22,5 CM (9 po.) ENTRE PLATS <b>4</b>
	154402	RUBAN ADHESIF-FIXATION DES PIEDS (NON REPRESENTE) TOUS MODELES SAUF <b>4</b>
	154407	RUBAN ADHESIF-FIXATION DES PIEDS (NON REPRESENTE) <b>4</b>
	155051	GUIDE DE SABLE (NON REPRESENTE)
	155281	ASSEMBLÉE DE MOYEU <b>1 2 3 4</b>
	152222	ASSEMBLÉE DE MOYEU - 1/4 VIRAGE <b>5 6</b>

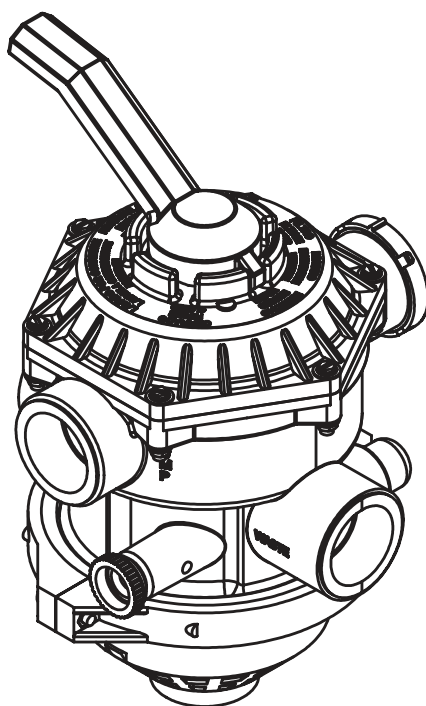


**Détailler pour Tagelus™ - TA 60 Filtrés  
avec ClearPro Technology™**

<b>TA 40D</b>	<b>1</b>
<b>TA 50D</b>	<b>2</b>
<b>TA 60D</b>	<b>3</b>
<b>TA 100D</b>	<b>4</b>
<b>TA 60 (ClearPro™)</b>	<b>5</b>
<b>TA 50 (Avec 1/4 Virage)</b>	<b>6</b>

Pour déterminer la date de fabrication :  
 les quatre premiers chiffres du numéro  
 de série indiquent le mois et l'année  
 où le produit fut fabriqué.

# HiFlow™ VANNE 6 VOIES - 37,5 MM (1-1/2 PO.)



## MANUEL D'INSTALLATION, D'UTILISATION & D'ENTRETIEN

CONSIGNES DE SÉCURITÉ IMPORTANTES  
*PRIÈRE DE LIRE ET D'OBSERVER TOUTES LES CONSIGNES*  
CONSERVER CETTE NOTICE

**⚠ ADVERTISSEMENT** — LE PRESENT MANUEL CONTIENT DES INFORMATIONS TRES IMPORTANTES CONCERNANT LA SECURITE, QUI DOIVENT ETRE COMMUNIQUEES A L'UTILISATEUR. LE FAIT DE NE PAS LIRE NI SUIVRE LES INSTRUCTIONS PEUT AVOIR POUR RESULTATS DES BLESSURES GRAVES ET/OU DES DEGATS MATERIELS TRES IMPORTANTS.

## TABLE DES MATIERES

FONCTIONNEMENT DE LA VANNE .....	2
INSTALLATION .....	3
REPLACEMENT DU CHAPEAU DE VANNE ET DU PARTITEUR .....	4
ENTRETIEN DE LA VANNE .....	4
HIVERNISATION .....	5
GUIDE DE DEPANNAGE .....	5
PIECES DE RECHANGE .....	6

Cette vanne fonctionne sous pression. Lorsqu'elle est bien fermée et qu'il n'y a pas d'air dans le circuit d'eau, cette vanne fonctionne en toute sécurité.

***LISEZ ATTENTIVEMENT ET SUIVEZ TOUTES LES INSTRUCTIONS DE SECURITE FIGURANT DANS LE PRESENT MANUEL OU SUR FILTRE.***

### Fonctionnement de la Vanne

La vanne à six positions est conçue pour offrir toutes les positions nécessaires pour faire fonctionner, entretenir, dépanner et réparer le filtre. Elle offre six positions opérationnelles et une d'hivernisation. La fabrication de la vanne utilise des matériaux anti-corrosion de haute qualité et, lorsque celle-ci est installée, utilisée et entretenue conformément à ces instructions, elle fonctionnera pendant de nombreuses années sans problèmes.

**⚠ ADVERTISSEMENT** — La pénétration d'air dans le filtre et la mauvaise fermeture du collier de vanne peuvent provoquer un éclatement de la vanne et occasionner des blessures graves et/ou des dégâts matériels. (Certains modèles de vannes ne sont pas équipés d'un collier et se vissent dans le réservoir du filtre.)

1. Cette valve est équipée d'un purgeur d'air extérieur (Élément 12). Ouvrez toujours ce purgeur et écartez-vous du filtre et de la vanne avant de mettre en marche la pompe du système. Laissez-le ouvert jusqu'à ce que l'eau s'écoule en un jet continu.

**⚠ ATTENTION** — Pour éviter d'endommager l'équipement et de causer de possibles blessures, arrêtez toujours la pompe avant de changer la position de la vanne.

2. La vanne a une position de fermeture. La pompe ne doit jamais être en marche lorsque la vanne est dans cette position. Si la pompe fonctionne alors que la vanne est fermée, le système de purge d'air devient inopérant et il y a alors risque d'explosion. En outre, le fonctionnement du système à vide endommagera gravement l'équipement.

### POSITIONS DE LA VANNE :

<b>FILTER (FILTRAGE)</b>	Sortie de la pompe par la vanne et écoulement vers le bas EN TRAVERSANT LE FILTRE, puis vers le haut par le tuyau central jusqu'à l'orifice RETURN (RETOUR) de la vanne pour action normale de filtrage et nettoyage de la piscine par aspiration à travers le filtre.
<b>BACKWASH (LAVAGE A CONTRE-COURANT)</b>	Sortie de la pompe par la vanne, écoulement vers le bas par le tuyau central, et jusqu'à l'orifice WASTE (ÉVACUATION DES DÉCHETS) pour nettoyer le filtre en inversant le sens de circulation.
<b>RINSE (RINCAGE)</b>	Sortie de la pompe par la vanne, écoulement vers le bas en traversant le filtre, puis vers le haut par le tuyau central jusqu'à l'orifice WATER (ÉVACUATION DES DÉCHETS) pour nettoyer et remettre en place le lit de filtrage après le nettoyage à contre-courant.
<b>WASTE (ÉVACUATION DES DÉCHETS)</b>	Sortie de la pompe par la vanne, EN EVITANT LE FILTRE, jusqu'au port WASTE (ÉVACUATION DES DÉCHETS) pour permettre une aspiration directe afin d'évacuer les déchets, abaisser le niveau de l'eau dans la piscine ou vider celle-ci.
<b>CLOSED (FERMÉE)</b>	PAS DE CIRCULATION D'EAU - N'UTILISEZ PAS CETTE POSITION LORSQUE LA POMPE EST EN MARCHÉ.
<b>RECIRCULATE (RECYCLAGE)</b>	Sortie de la pompe par la vanne en évitant le filtre jusqu'à l'orifice de retour pour faire circuler l'eau sans lui faire traverser le filtre.



## Installation

1. Examinez le carton pour rechercher toute trace de dégâts dus à une manutention brutale en cours de transport. Si le carton ou tout élément de la vanne est endommagé, avisez-en le transporteur immédiatement.

---

### AVIS :

Faites preuve de prudence lorsque vous manipulez le collier pour ne pas risquer de vous blesser les doigts ou les mains par contact brusque avec ses bords coupants.

2. Après avoir examiné le carton, retirez-en les pièces de la vanne avec précaution.

Vérifiez que le filtre contient du sable, que le guide-sable a été retiré et que le dessus du filtre est libre de tout sable ou débris.

**\*REMARQUE :** La vanne se fixe au filtre de deux façons possibles qui sont fonction du type de filtre et de vanne.

**Les vannes à fixation par collier sont équipées d'un collier qui maintient ensemble les brides de la valve et du filtre. Procédez exactement comme indiqué aux paragraphes 3 à 8 ci-dessous pour fixer la vanne au filtre. (Ne tenez pas compte des paragraphes 9 à 12.)**

3. Vérifiez que le joint torique, (Élément 14), est en place dans la gorge du corps de vanne, (**\*REMARQUE :** Les numéros d'éléments figurant dans cette partie du livret d'instructions se réfèrent à la liste de pièces de rechange intitulée Vanne six voies HiFlow™.)
4. Ouvrez le collier, (Élément 15), suffisamment pour le faire passer par-dessus la bride du réservoir et faites-le reposer sur ce dernier avant de poser la vanne.
5. Placez la vanne au-dessus de l'ouverture ménagée à la partie supérieure du réservoir, de façon à ce que le tuyau central du filtre glisse dans l'alésage du corps de la vanne.
6. Les orifices de la vanne portent l'indication de leur raccordement : L'orifice Pump (pompe) doit être raccordé à la sortie de la pompe, l'orifice Waste (Évacuation des Déchets) doit l'être au tuyau d'évacuation des déchets et l'orifice Return (Retour) au tuyau de retour à la piscine.
7. Orientez la vanne pour permettre le raccordement correct des orifices.
8. Appuyez sur la vanne de façon à ce que le joint torique, (Élément 14), soit enfoncé à l'intérieur de l'ouverture ménagée à la partie supérieure du réservoir.

**⚠ ADVERTISSEMENT** — Un montage incorrect de la vanne sur le réservoir peut provoquer un éclatement de la vanne et occasionner des blessures graves et/ou des dégâts matériels.

Soulevez le collier, (Élément 15), par-dessus la bride du réservoir et guidez-le avec précaution de façon à ce qu'il accroche à la fois la bride de la vanne et celle du réservoir. Serrez bien l'écrou du boulon en T.

**Les vannes vissées comportent un gros raccord fileté de 15 cm (6 po.) qui se visse directement au réservoir du filtre. Procédez exactement comme indiqué aux paragraphes 9 à 12 ci-dessous pour fixer la vanne au filtre. (Ne tenez pas compte des paragraphes 3 à 8.)**

9. Vérifiez que le joint torique, (Élément 14), est en place par-dessus le gros filetage du corps de la vanne et qu'il est graissé. S'il doit être graissé, ne vous servez que de lubrifiant du type silicone.

**⚠ ADVERTISSEMENT** — L'utilisation de lubrifiants ou de mastics d'étanchéité pour tuyaux autres que ceux recommandés dans le présent livret d'instructions peut endommager la vanne et provoquer en éclatement de celle-ci, et occasionner des blessures graves et/ou des dégâts matériels.

10. Vérifiez que la tuyauterie du filtre est parfaitement centrée 3,81 cm (1½ po.) environ en-dessous de la grosse ouverture filetée du réservoir.
11. Mettez la vanne soigneusement en place à l'intérieur de l'ouverture du filtre, de façon à ce que la tuyauterie de celui-ci glisse dans le raccord de la vanne. Tournez doucement la vanne dans le sens des aiguilles d'une montre jusqu'à ce que son filetage s'engage dans celui du réservoir. Continuez à tourner la vanne jusqu'à ce que son joint torique touche le réservoir. Saisissez la vanne par les deux orifices opposés et serrez-la autant qu'il est possible à la main.

**⚠ ADVERTISSEMENT** — N'enforcez pas de morceaux de tuyaux dans les orifices filetés comme moyens mécaniques devant faciliter le serrage. Cela risque de provoquer un serrage excessif et d'endommager la vanne, voire de provoquer un éclatement de celle-ci et occasionner des blessures graves et/ou des dégâts matériels.

#### 4 (fr)

**\*REMARQUE :** Le vanne ne doit pas devenir difficile à serrer lors de sa mise en place dans l'ouverture du filtre, tant que son joint torique ne touche pas la surface du filtre. Si la tuyauterie du filtre n'est pas centrée dans la grande ouverture de celui-ci, la vanne risque de ne pas bien se visser dans le réservoir du filtre.


- Orientez la vanne pour permettre le raccordement correct des orifices.
- La pression de service maximum de la vanne est 345 kPa (50 psi). Le filtre a lui aussi une pression de service maximum qui est indiquée sur sa plaque signalétique. **NE FAITES PAS FONCTIONNER** cet appareil au-dessus de la pression de service maximum de la vanne ou du filtre. Ne raccordez jamais ceux-ci à une pompe pouvant produire une pression supérieure à la pression de service du filtre ou de la vanne.
- Branchez la tuyauterie et ses raccords à la pompe et à la vanne. L'ensemble de la tuyauterie doit être conforme à la réglementation locale et nationale en matière de plomberie et d'hygiène.
- Utilisez du mastic d'étanchéité sur tous les accouplements coniques mâles de la tuyauterie et des raccords. N'utilisez que des mastics d'étanchéité adaptés à la tuyauterie en plastique. Soutenez la tuyauterie pour éviter toute contrainte exercée sur le filtre, la pompe ou la vanne.

---

#### AVIS :

Tous les filetages internes de la vanne sont coniques, à l'exception du raccord du purgeur d'air. Ne serrez pas trop les raccords à filetage conique.

- Posez un manomètre dans l'orifice de 6,35 mm (¼ po.) NPT diamétralement opposé à l'orifice Pump (pompe).
- N'entreposez jamais les produits chimiques destinés à la piscine à moins de 3 mètres (10 pieds) de la vanne du filtre de votre piscine. Ces produits doivent toujours être entreposés dans un endroit frais, sec et bien aéré.

 **AVERTISSEMENT** — Les vapeurs de produits chimiques et/ou renversements de ceux-ci peuvent corroder gravement les éléments essentiels du filtre et de la pompe. L'affaiblissement structurel de ces éléments peut provoquer un éclatement de la vanne du filtre ou des accessoires et occasionner des blessures graves ou dégâts matériels importants.

### Remplacement du Chapeau de Vanne et du Partiteur


- Arrêtez la pompe et ouvrez le purgeur d'air pour délester toute pression interne.
- Placez la poignée de la vanne en position d'hivernisation.
- Retirez les 6 vis du couvercle (Élément 9).
- Enlevez le chapeau de vanne et le partiteur en les soulevant.

---

#### AVIS :

Le joint d'étanchéité de la vanne est fixé au partiteur. Manipulez ce dernier avec précaution pour ne pas risquer d'endommager la surface d'étanchéité.

- Nettoyez la surface d'étanchéité du corps de la vanne avec un chiffon doux non pelucheux. Examinez la surface pour vérifier l'absence de défauts tels qu'éraflures ou entailles. Si la surface est endommagée, le corps de la vanne doit être remplacé.
- Graissez avec soin le joint torique de rechange neuf du chapeau de vanne (Élément 8) avec un lubrifiant à base de silicone et placez-le comme il convient sur le chapeau de vanne.

 **AVERTISSEMENT** — Une pose incorrecte de la vanne sur le réservoir peut provoquer un éclatement de celle-ci et occasionner des blessures graves et/ou des dégâts matériels importants.

- Placez la poignée du chapeau de vanne neuf en position d'hivernisation. Posez le chapeau de vanne et le partiteur neufs en veillant à ce que la petite encoche du couvercle et la petite bosse du corps de la vanne soient alignées. Commencez à serrer les 6 vis avec les doigts pour garantir que celles-ci mordent dans le filetage du corps de la vanne. Il convient de serrer progressivement les vis diamétralement opposées par entrecroisement. Serrez fermement les 6 vis de fixation du chapeau de vanne. **NE LES SERREZ PAS TROP.**

---

#### AVIS :

Le chapeau de vanne est fixé au moyen de vis autotaraudeuses. Celles-ci doivent être positionnées correctement pour éviter qu'elles ne faussent le filetage dans le corps de la vanne.

### Entretien de la Vanne

La vanne représente un élément très important de l'équipement et de l'installation de votre piscine. Son entretien approprié vous permettra d'utiliser et d'apprécier votre piscine pendant de nombreuses années supplémentaires.

- Pour débarrasser l'extérieur de la vanne de la poussière et des impuretés, lavez-le avec une solution de détergent doux et d'eau, puis rincez-le au tuyau d'arrosage. Ne vous servez pas de solvants.

**⚠ ADVERTISSEMENT** — Examinez toujours visuellement les éléments de la vanne pendant l'entretien courant pour vérifier leur intégrité. Remplacez tout élément corrodé, tordu ou apparemment défectueux. Des éléments de vanne défectueux peuvent entraîner un éclatement de la vanne ou des accessoires susceptible de provoquer des blessures graves ou dégâts matériels importants.

- Le collier utilisé sur la vanne a été fabriqué en utilisant des matériaux anti-corrosion de haute qualité. Le procédé de fabrication peut entraîner la présence de bords coupants sur les pièces. Faites preuve de prudence lorsque vous manipulez le collier pour ne pas risquer de vous blesser les doigts ou les mains par contact brusque avec ses bords coupants.
- La valve est un réservoir sous pression et vous ne devez jamais en effectuer l'entretien lorsqu'il est pressurisé. Vous devez toujours délester la pression dans le réservoir et ouvrir le purgeur d'air avant de procéder à l'entretien de la vanne.
- Ouvrez le purgeur d'air manuel et ne vous approchez pas de l'ensemble filtre/vanne avant de remettre la pompe en marche.

## Hivernisation

- Arrêtez la pompe et ouvrez le purgeur d'air de la vanne.
- Vidangez et hivernisez la pompe et le filtre conformément aux instructions du fabricant.
- Appuyez sur la poignée de la vanne et tournez-la de façon à ce que l'indicateur de celle-ci se trouve sur la nervure circulaire du chapeau de la vanne dans la zone marquée WINTERIZE (Hivernisation).

### AVIS :

La vanne doit être maintenue dans cette position pendant l'hiver, de façon à ce que le partiteur n'exerce aucune pression sur le joint en caoutchouc.

## Guide de Depannage

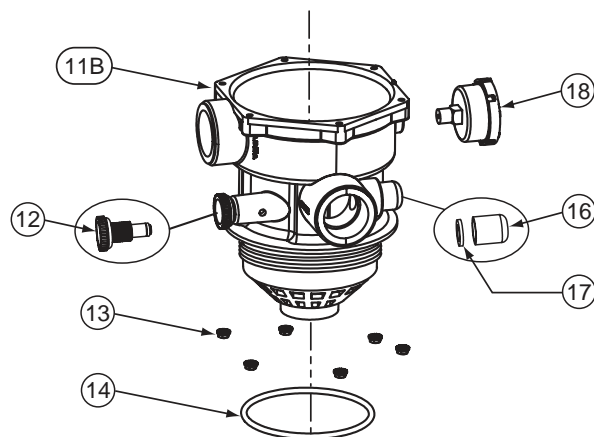
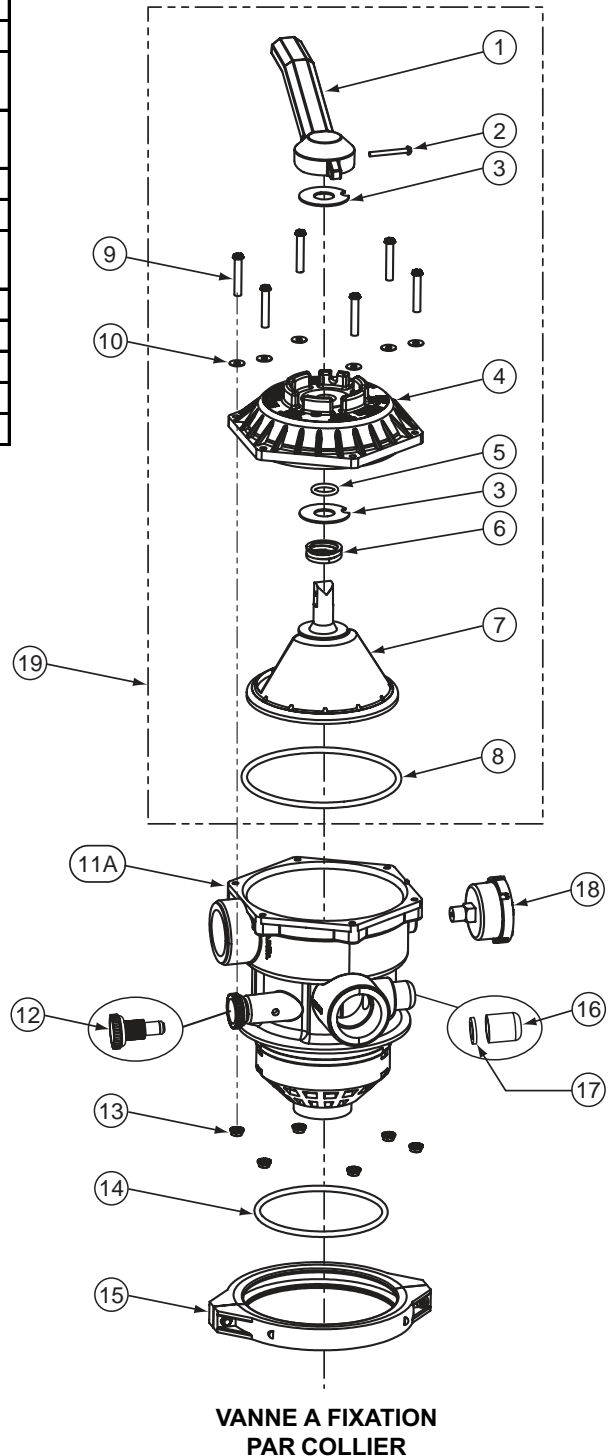
Problème	Cause	Solution
Fuite vers l'orifice d'évacuation des déchets	<ol style="list-style-type: none"> <li>Présence d'impuretés ou de sable sous le joint.</li> <li>Joint endommagé.</li> <li>Corps de vanne endommagé dans la zone du joint.</li> </ol>	<p>Retirez le chapeau de la vanne et nettoyez la zone du joint.</p> <p>Remplacez le chapeau de la vanne.</p> <p>Remplacez le corps de la vanne.</p>
Fuite au niveau des raccordements d'orifice à la vanne	<ol style="list-style-type: none"> <li>Orifices fêlés.</li> <li>Pas d'application de mastic d'étanchéité sur les filetages.</li> </ol>	<p>Remplacez le corps de la vanne. Utilisez le modèle correct et ne serrez pas trop les raccordements des orifices.</p> <p>Utilisez du mastic d'étanchéité.</p>
Retour du sable dans la piscine	<ol style="list-style-type: none"> <li>Problème de filtre.</li> <li>Sable expulsé par les fentes d'aération ou entre le filtre et le tuyau central dans la vanne.</li> </ol>	<p>Reportez-vous au manuel du filtre.</p> <p>Le sable est trop fin ou le débit est trop élevé dans le filtre.</p>
Fuite au point de fixation de la vanne au filtre	Fuite au-delà du joint torique.	Déposez la vanne et examinez le joint torique & la surface d'étanchéité ; effectuez tout remplacement nécessaire.
Fuite au niveau de la poignée	Fuite au-delà du joint torique.	Remplacez le chapeau de la vanne.
Fuite au niveau du joint entre chapeau et corps de vanne	Fuite au-delà du joint torique.	Retirez le chapeau de vanne et examinez le joint torique & la surface d'étanchéité ; effectuez tout remplacement nécessaire.
Fuite au niveau du regard en verre à casse-vide	Présence d'impuretés sur le joint d'étanchéité.	Retirez le regard et rincez-le à l'eau froide pour éliminer les impuretés. Remplacez le regard s'il est endommagé.

**VANNE 6 VOIES HiFlow™****Pièces de Rechange**

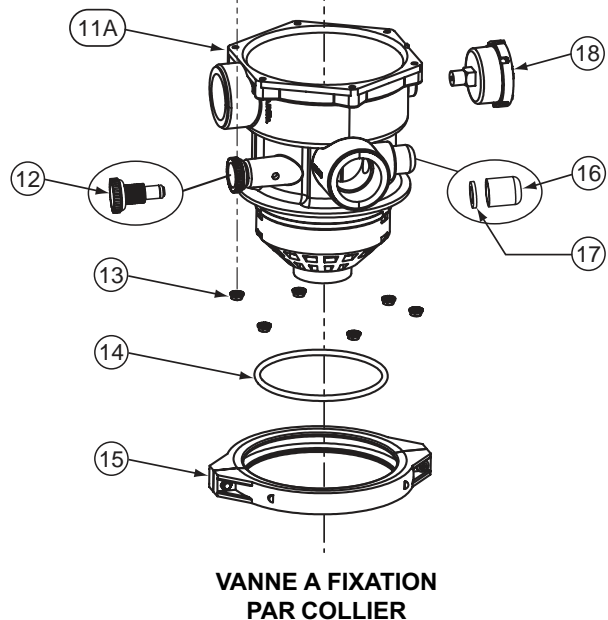
ELEMENT	PIECE NO.	DESCRIPTION
1	272520	POIGNEE
2	272405	VIS - POIGNEE
3	272505	RONDELLE - 47,6 MM (1.875 po.) PLASTIQUE
4	270085	CHAPEAU DE VANNE - AVEC L'ETIQUETTE
5	272511	JOINT TORIQUE - 19,05 MM X 25,4 MM X 3,18 MM (.75 po. X 1 po. X 1/8 po.)
6	272535	RESSORT
7	272512	PARTITEUR AVEC JOINT
8	354053	JOINT TORIQUE - 4,7 MM X 142,9 MM (3/16 po. X 5-5/8 po.) DIA. INT.
9	354541	VIS - AUTOTARAUDEUSE 10-24 X 1.5 po.
10	272555	RONDELLE - 14,3 MM (9/16 po.) ACIER INOXY.
11A	272530	CORPS DE VANNE AVEC DIFFUSEUR - TYPE A FIXATION PAR COLLIER
11B	272538	CORPS DE VANNE AVEC DIFFUSEUR - TYPE A VISSAGE
12	273512	PURGEUR D'AIR SANS JOINT TORIQUE
13	272554	ECROU - N° 10-24 LA BRIDE DENTELEE - ACIER INOXY.
14	272541	JOINT TORIQUE - 116,8 MM X 47,7 MM (4.60 po. x 3/16 po.) DIA. INT.
15	152165	L'ENSEMBLE COLLIER
16	272550	REGARD EN VERRE AVEC PROTECTEUR A VIDE
17	271106	JOINT - REGARD EN VERRE
18	190059	MANOMETRE
19	272531	HiFlow (1½ po.) L'ENSEMBLE CHAPEAU DE VANNE

**REMARQUES:**

- L'ENSEMBLE CHAPEAU DE VANNE N°. 272531 SE COMPOSE DES ELEMENTS 1 A 8 ET DU MODE D'EMPLOI DE VANNE N°. 272517.
- LES VANNES FABRIQUEES AVANT LE 1er MARS 1993, NE COMPORTENT PAS LES REGARDS EN VERRE 16 OU 17.
- LES VANNES A FIXATION PAR COLLIER FABRIQUEES AVANT LE 1er MARS 1993, COMPORTENT UN PURGEUR D'AIR DIFFERENT A JOINT TORIQUE N°. 272515. CETTE PIECE N'EST PAS INTERCHANGEABLE AVEC LA PIECE N°. 273512.  
LES VANNES VISSÉES FABRIQUEES AVANT LE 1er MARS 1993, NE COMPORTENT PAS DE PURGEUR D'AIR A JOINT TORIQUE.
- L'ELEMENT 8 EST UTILISE SUR LES VANNES FABRIQUEES APRES LE 1er MAI 1992, ET REMPLACES LES N°. 272401-RONDELLE ET N°. 272400-RESSORT.



**VANNE 15 CM (6 PO.)  
DU TYPE A VISSAGE**



**VANNE A FIXATION  
PAR COLLIER**

# Filtros de Arena de Fibra de Vidrio Tagelus™

**Modelos:**

TA 40 / TA 40D

TA 50 / TA 50D

TA 60D

TA 100D

Modelo: TA 60 con  **ClearPro  
Technology™**



## Guía del Usuario e Instalación

**IMPORTANTES INSTRUCTIVOS DE SEGURIDAD  
LEA Y SIGA TODOS LOS INSTRUCTIVOS  
PROTEJA ESTOS INSTRUCTIVOS**

# Servicio al Cliente

Si tiene preguntas sobre cómo ordenar las refacciones y los productos para piscina Pentair, por favor use la siguiente información:

## **Customer Service / Soporte Técnico** (8 AM a las 5 PM Horario del Este y Pacífico)

Tel: (800) 831-7133

Fax: (800) 284-4151

## **Sanford, North Carolina** (8 AM a las 5 PM Horario del Este)

Tel: (919) 566-8000

Fax: (919) 566-8920

## **Moorpark, California** (8 AM a las 5 PM Horario del Pacífico)

Tel: (805) 553-5000 (Ext. 5591)

Fax: (805) 553-5515

## Sitio web

visite [www.pentairpool.com](http://www.pentairpool.com) y [www.sta-ritepool.com](http://www.sta-ritepool.com) para obtener información sobre Pentair Water Pool and Spa



© 2009 Pentair Water Pool and Spa, Inc. Todos los derechos reservados.

La información que aparece en este documento está sujeta a cambio sin aviso previo.

1620 Hawkins Ave., Sanford, NC 27330 • (800) 831-7133 • (919) 566-8000  
10951 West Los Angeles Ave., Moorpark, CA 93021 • (800) 831-7133 • (805) 553-5000

**Marcas comerciales y descargo de responsabilidad:** Tagelus™, HiFlow™, Pentair Pool Products™, Because reliability matter most™, ClearPro Technology™, ClearPro™ y Pentair Water Pool and Spa™ marcas comerciales y/o marcas registradas de Pentair Water Pool and Spa, Inc. y/o de sus compañías afiliadas en los Estados Unidos y/u en otros países. A menos que sea indicado, los nombres y marcas de otros que puedan ser utilizados en este documento no son utilizados para indicar una afiliación o endoso entre los propietarios de estos nombres y marcas y Pentair Water Pool and Spa, Inc. Esos nombres y marcas pueden ser las marcas comerciales o registradas de esas partes u otros.

# Tabla de Contenidos

---

Precauciones Importantes de Seguridad .....	ii
<b>Sección 1: Instalación .....</b>	<b>1</b>
Instalación del Filtro de Arena de Fibra de Vidrio Tagelus™ .....	1
Cómo funciona su Filtro Tagelus™ .....	1
Inicio .....	3
<b>Sección 2: Mantenimiento .....</b>	<b>4</b>
Cuidado del Filtro Tagelus™ .....	4
Limpieza del Filtro Tagelus™ .....	4
Procedimiento para el lavado de la parte posterior del Filtro Tagelus™ .....	5
Procedimiento para la limpieza química .....	5
Prepare su Filtro Tagelus™ para el invierno .....	6
<b>Sección 3: Localización de Averías .....</b>	<b>7</b>
<b>Sección 4: Partes de Repuesto .....</b>	<b>8</b>
<b>Válvula de HiFlow™ de 6 Vías</b>	

## PRECAUCIONES IMPORTANTES DE SEGURIDAD



### Aviso importante:

La presente guía provee instrucciones de instalación y operación para los Filtros de Arena de Fibra de Vidrio Tagelus™. Consulte a Pentair Water si tiene alguna pregunta relacionada con este equipo.

**Atención Instalador:** La presente guía contiene información importante acerca de la instalación, operación y uso seguro de este producto. Esta información se la debe dar al propietario y/o operador de este equipo luego de la instalación o se la debe dejar en o cerca del filtro.

**Atención Usuario:** El presente manual contiene información importante que lo ayudará a operar y mantener este filtro. Por favor consérvelo como futura referencia.

**⚠ ADVERTENCIA** —Antes de instalar este producto, lea y siga todos los avisos de advertencia que están incluidos. En caso de no seguir las advertencias e instrucciones de seguridad puede resultar en lesiones severas, muerte o daño de la propiedad. Llame al (800) 831-7133 para obtener copias adicionales gratuitas de estas instrucciones.

### Información y Seguridad del Consumidor

Los Filtros de Arena Series Tagelus™ están diseñados y fabricados para proveer muchos años de servicio seguro y confiable cuando son instalados, operados y mantenidos de acuerdo con la información de este manual y en los códigos de instalación referidos en las secciones posteriores. A través de este manual, las advertencias y precauciones de seguridad están identificadas con el símbolo “⚠”. Asegúrese de leer y cumplir con todas las advertencias y precauciones.

#### ⚠ ADVERTENCIA—ESTE FILTRO OPERA BAJO ALTA PRESIÓN




Cuando cualquier parte del sistema de circulación es revisado (por ejemplo, tapa, bomba, filtro, válvula(s), etc.), el aire puede ingresar al sistema y volverse presurizado. El aire presurizado puede hacer que la tapa superior se separe lo cual puede resultar en lesiones severas, muerte o daño de la propiedad. Para evitar este peligro potencial, siga estas instrucciones:


1. Si no está familiarizado con su sistema de filtración y/o calentador de piscina:
  - a. **NO** intente ajustar o hacer una revisión sin consultar con su distribuidor o con un técnico de piscina calificado.
  - b. Lea completamente la Guía del Usuario e Instalación antes de intentar usar, hacer una revisión o ajustar el sistema o calentador de filtración de la piscina.
2. Antes de volver a colocar la(s) válvula(s) y antes de empezar el ensamblaje, desmontaje o cualquier otro servicio del sistema de circulación: (A) Apague la bomba (**TURN OFF**) y desconecte (**SHUT OFF**) cualquiera de los controles automáticos para asegurarse que el sistema **NO** se encienda repentinamente durante la revisión; (B) abra la válvula de purga de aire manual; (C) espere hasta que toda la presión se haya liberado.
3. Cuando instale la tapa del filtro **SIGA EXACTAMENTE LAS ADVERTENCIAS DE LA TAPA DEL FILTRO.**
4. Una vez que complete el servicio en el sistema de circulación **SIGA EXACTAMENTE LAS INSTRUCCIONES INICIALES.**
5. Mantener el sistema de circulación adecuadamente. Reemplazar las partes deterioradas dañadas (Ej., tapa, indicador de presión, válvula(s), anillos “O”, etc.).
6. Asegúrese que el filtro esté montado y colocado adecuadamente de acuerdo con las instrucciones provistas.





## PRECAUCIONES IMPORTANTES DE SEGURIDAD (continuación)

 **ADVERTENCIA** — Este filtro debe ser instalado por un electricista autorizado o certificado o por un técnico de servicios de piscina calificado de acuerdo con el Código Eléctrico Nacional y todos los códigos y ordenanzas locales aplicables. Una instalación inadecuada podría resultar en lesiones serias o en la muerte de los usuarios, de los instaladores de la piscina u otros, también puede causar daño a la propiedad.

Siempre desconecte la energía del sistema de circulación de la piscina del cortocircuito antes de revisar el filtro. Asegúrese que el circuito desconectado esté cerrado o adecuadamente codificado para que no se conecte cuando esté trabajando en el filtro. De lo contrario podrían resultar en lesiones serias o la muerte del técnico de servicio, de los usuarios de piscinas u otros debido a una descarga eléctrica.


 **ADVERTENCIA** — No opere el filtro hasta que haya leído y comprendido claramente todas las instrucciones de operación y mensajes de advertencia de todo el equipo que es parte del sistema de circulación de la piscina. El propósito de las siguientes instrucciones es guiarlo para iniciar la operación del filtro en una instalación general de la piscina. En caso de no seguir todas las instrucciones de operación y mensajes de advertencia podría resultar en daño a la propiedad, lesiones personales severas o la muerte.

 **ADVERTENCIA** — Para reducir el riesgo de lesiones, no permita que los niños usen este producto a menos que sean supervisados cuidadosamente todo el tiempo.

 **ADVERTENCIA** — Debido al riesgo potencial que puede suceder se recomienda que la prueba de presión se mantenga al tiempo mínimo requerido por el código local. No permita que haya personas trabajando alrededor del sistema cuando el sistema de circulación esté bajo prueba de presión. Coloque adecuados avisos de advertencia y establezca una barrera alrededor del equipo presurizado. Si el equipo está ubicado en el cuarto de equipo, cierre la puerta y coloque un aviso de advertencia.



Nunca intente arreglar ninguna tapa o intente remover o ajustar los tornillos cuando el sistema esté presurizado. Estas acciones pueden causar que la tapa se descargue y puede causar severas lesiones personales o la muerte si le golpeara a una persona.

 **ADVERTENCIA** — Nunca exceda la presión de operación máxima en los componentes del sistema. Si excede estos límites puede resultar en una falla del componente bajo presión. Esta liberación instantánea de energía podría hacer que la tapa se descargue y podría causar severas lesiones personales o la muerte si le golpeara a una persona.



Esta pagina ha sido dejada intencionalmente en blanco.

# Sección 1

## Instalación

**Nota:** Antes de instalar este producto, lea y siga todos los avisos e instrucciones de advertencia en este manual.

### Instalación del Filtro de Arena de Fibra de Vidrio Tagelus™

Sólo una persona de servicio calificada puede instalar el Filtro de Arena de Fibra de Vidrio Tagelus™. Este filtro está diseñado y destinado para usarlo con agua de filtro.

#### Introducción del Tagelus™

La siguiente información general describe cómo instalar el Filtro de Arena de Fibra de Vidrio Tagelus™. Este filtro opera bajo presión y si se monta mal o si se opera con aire en el sistema de circulación de agua el cierre superior se puede abrir y producir accidentes que causen lesiones graves en el cuerpo y daño a la propiedad. Se ha adherido una etiqueta de advertencia en la parte superior del filtro y no se debe remover. Mantenga las etiquetas de seguridad en buenas condiciones y ponga una nueva si falta o si no se puede leer.

#### Como Funciona su Filtro

Su filtro de arena de alta capacidad ha sido diseñado para operar por años con un mantenimiento mínimo y cuando se instala, opera y mantiene según estas instrucciones le entregará años de operación sin problemas.

La mugre se junta en el filtro a medida que el agua fluye a través de la válvula de control en la parte superior del filtro y se dirige hacia abajo a la superficie superior de la capa de arena del filtro. La mugre se junta en la capa de arena y el agua limpia fluye a través de la tubería inferior en la parte inferior del filtro hacia arriba a través de la tubería del centro a la válvula de control en la parte superior del filtro. El agua limpia luego vuelve a través del sistema de tubería a la piscina.

La presión se elevará y el flujo a la piscina se bajará a medida que la mugre se junte en el filtro. Eventualmente, el filtro se tapaná tanto con mugre que será necesario llevar a cabo el procedimiento de lavado por corriente. Es importante saber cuándo se tiene que lavar el filtro por corriente. El lavado por corriente se trata más adelante bajo las secciones siguientes en este folleto.

Haga el favor de darse cuenta que el filtro remueve los materiales suspendidos y no higieniza la piscina. El agua de la piscina tiene que ser higienizada y balanceada para conseguir agua burbujeante y transparente.

Su sistema de filtración tiene que ser diseñado de modo que satisfaga sus códigos de salud locales. Como un mínimo tiene que asegurarse que su sistema va a hacer rotar el volumen de agua total en su piscina por lo menos dos veces en un periodo de 24 horas.

Refiérase a la **Tabla 1** para obtener la información de Operación del Filtro.

NUMERO DEL MODELO DEL FILTRO	AREA DEL FILTRO (Pies Cuadrados)	VELOCIDAD DEL FLUJO (GPM)	CAPACIDAD DE ROTACION (Galones)			
			4 VUELTAS POR DIA	3 VUELTAS POR DIA	2,4 VUELTAS POR DIA	2 VUELTAS POR DIA
TA 40 / TA 40D	1.8	40	14,400	19,200	24,000	28,800
TA 50 / TA 50D	2.3	50	18,000	24,000	30,000	36,000
TA 60 ClearPro™ / TA 60D	3.1	60	21,600	28,800	36,000	43,200
TA 100D	4.9	100	36,000	48,000	60,000	72,000

**⚠ ADVERTENCIA** — Si no opera su sistema de filtro o si la filtración no es adecuada se puede afectar la transparencia del agua, impidiendo la visibilidad en su piscina y puede ser que se salte dentro o sobre objetos oscurecidos que pueden producir lesiones personales graves o que la persona se ahogue.

El agua transparente es el resultado de la filtración adecuada como también del balance químico adecuado del agua de la piscina. La química de la piscina requiere conocimiento especializado y tiene que consultar con su especialista de servicios de piscinas local para los detalles específicos. En general, la higienización adecuada de la piscina necesita un nivel de cloro libre de 1 a 2 PPM y una gama de pH de 7,2 a 7,6.

**ADVERTENCIA—**

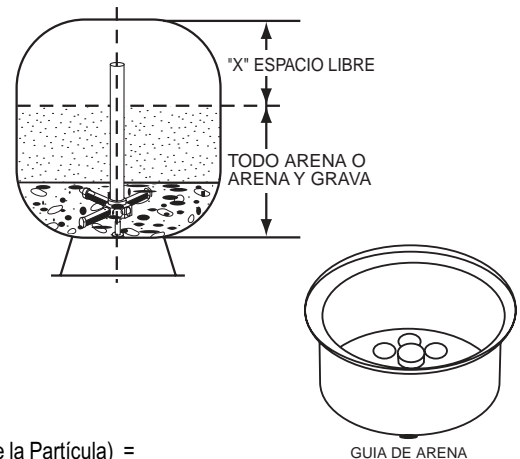
Los filtros nunca se deben probar o ser expuestos a aire o gas bajo presión. Todos los gases son comprimibles y bajo presión crean un pelifor. Se pueden producir lesiones corporales graves o daño a la propiedad si el filtro se expone a presión de aire o gas.

1. Revise la caja de cartón para verificar si hay daño debido al manejo abrupto durante el envío. si la caja de cartón o cualquiera de los componentes está dañado, avísele a la compañía de transporte inmediatamente.
2. Cuidadosamente remueva la válvula y el paquete de accesorio y el estanque del filtro de la caja de cartón.
3. Monte el filtro en una losa permanente, preferentemente de concreto vaciado en una forma o en una plataforma construida de bloque de concreto o de ladrillo. **NO USE** arena para nivelar el filtro o para montar la bomba pues se va a esparcir.
4. Proporcione espacio y luz para el acceso para el mantenimiento de rutina. No monte los controles eléctricos sobre el filtro. Es necesario poder alejarse del filtro cuando se hace arrancar la bomba. Los requisitos de espacio mínimo se pueden encontrar en el filtro en la placa grande del fabricante.
5. Especificaciones de la arena - asegúrese que se use la arena adecuada tal como se ha descrito en la **Tabla 2**. Antes de vaciar la arena en el filtro, mire adentro y revise el drenaje inferior para verificar si hay laterales sueltos o rotos (dedos), los que se pueden haber dañado por accidente debido al manejo abrupto durante el envío. Cambie toda parte rota si es necesario.
6. Instale la guía de arena en la parte superior del filtro y llene el estanque hasta alrededor de la mitad con agua. Vacíe la arena dentro de la parte superior del filtro lentamente de modo que el peso de la arena no dañe los laterales. Vea la Tabla 2 para verificar cuáles son las cantidades adecuadas de arena. Después de llenario hasta el nivel adecuado, remueva y deseche la guía de arena. Lave toda la arena que esté alrededor de la abertura en la parte superior del estanque.
7. Asegúrese que todas las superficies de sellado estén limpias y aplique una capa delgada de un lubricante de base de silicona en el anillo O de la válvula.
8. Ponga la válvula de modo que las ubicaciones de los agujeros queden en la posición final deseada. Siga las instrucciones adjuntas para los procedimientos de instalación de la válvula.
9. Monte las tuberías y sus accesorios en la bomba y la válvula. todas las tuberías tienen que estar de acuerdo con los códigos sanitarios y de plomería tanto locales como estatales.

**AVISO:** La distancia del espacio libre es la variable de más importancia y se debe mantener. La densidad de la arena variará y por lo tanto la cantidad de arena se da como referencia.

**Tabla 2. Detalle de la Arena del Filtro e Información**


NUMERO DEL MODELO DEL FILTRO	MATERIAL DEL FILTRO (Libras)			ESPACIO LIBRE "X"
	TODO ARENA *	GRAVILLA ‡	GRAVILLA Y ARENA	
TA 40 / TA 40D	175	50	125	7¾"
TA 50 / TA 50D	225	50	175	9¼"
TA 60 ClearPro™ / TA 60D	325	50	275	10¼"
TA 100D	600	150	450	11¼"




‡ GRAVILLA TAMAÑO: 1/8" A 1/4" DIA.

\* TAMAÑO DE LA ARENA: .018 - .022 de Pulg. Tamaño de la Partícula (.45 - .55 mm Tamaño de la Partícula) = Arena Estándar No. 20 Silíceo con un coeficiente de uniformidad de 1.75 o menos.

10. Use los compuestos de sellado en todas las conexiones macho de la tubería y accesorios. Use solamente los compuestos de la tubería adecuados para las tuberías plásticas. Apoye la tubería para evitar los esfuerzos en el filtro, la bomba y la válvula.
11. Las extensiones de tuberías largas y los codos restringen el flujo. Para obtener la mejor eficiencia use los menos accesorios posibles, tubería de un diámetro grande (por lo menos 1-1/2" o mayor para el Modelo TA 60, 2" para el modelo TA100D) y ubique el equipo lo más cerca posible de la piscina.


 **PRECAUCION** — La operación a niveles de aspiración excesivos puede hacer que el estanque se rompa y se pueden producir daños a la propiedad.

12. Cuando se instalen las tuberías de lavado por corriente se recomienda que se instale un rompedor de vacío (parte No. 272044) en instalaciones en donde la tubería de lavado por corriente sea de 1-1/2” y la longitud exceda 40 pies o si la tubería de lavado por corriente descarga a 10 pies o más bajo del nivel de la superficie de la piscina. Por otra parte se puede proporcionar un foso para romper el vacío en los sistemas que usan tuberías de lavado por corriente de 2” o mayores.
13. Se recomienda el uso de una válvula de retención entre el filtro y el calentador para evitar el retroceso del agua caliente que dañaría el filtro y la válvula.
14. La presión de operación máxima de esta unidad es de 50 libras por pulgada cuadrada. Nunca opere este filtro por sobre esta presión o adjunte una bomba a este filtro que tenga más de 50 psi de presión de cierre.
15. Nunca instale el clorinador con el flujo hacia arriba del filtro. Siempre ubíquelo con el flujo hacia abajo y con una válvula de retención entremedio del clorinador y el filtro.
16. No se recomienda el uso de una válvula de cierre positivo en la salida del sistema de filtración. Si alguna vez el sistema se hace funcionar con tal válvula cerrada, el sistema de alivio de aire interno deja de funcionar y puede producirse una situación explosiva. Además, si se hace funcionar el sistema sin flujo se dañará el equipo gravemente.
17. Nunca guarde los productos químicos de la piscina dentro de 10 pies del filtro de su piscina. Los productos químicos de la piscina siempre se tienen que guardar en un área fresca, seca y bien ventilada.

 **ADVERTENCIA**— Los vapores de los productos químicos y/o los derrames pueden producir ataques graves en los componentes estructurales del filtro. Los componentes del filtro que se han debilitado estructuralmente pueden hacer que la válvula del filtro o que los accesorios produzcan escapes y se pueden producir lesiones corporales graves y/o daño a la propiedad.

## Arranque Inicial

1. Si la piscina es nueva límpiela antes de llenarla con agua. La mugre en exceso o las partículas grandes pueden dañar la bomba y el filtro.
2. Asegúrese que la tubería de lavado por corriente esté abierta de modo que el agua quede libre de entrar y salir de la piscina y fluir hacia afuera a través de la tubería de lavado por corriente. Ajuste la válvula de control en la posición de lavado por corriente.
3. Revise el depósito del colador de la bomba para asegurarse que esté lleno de agua. Vuelva a colocar la tapa de la bomba.

 **ADVERTENCIA**— Si entra aire en el filtro y la abrazadera de la válvula no está cerrada en forma adecuada se pueden producir escapes en la válvula y daños corporales graves y/o daño a la propiedad.


4. Revise el conjunto de la abrazadera de la bomba en Tagelus para verificar si está apretada.
5. Abra al purgador de aire manual en la válvula de 6 Vías (excepto en TA 100D). Aléjese del filtro y haga arrancar la bomba permitiendo que se cebe.
6. Cierre el purgador de aire en la válvula de 6 Vías (excepto en TA 100D) cuando salga un chorro de agua parejo.

---

### AVISO:

La arena del filtro de la piscina típicamente se prelava y no debería necesitar mucho lavado por corriente. Sin embargo, el proceso de envío puede producir una abrasión excesiva que podría exigir un ciclo de prelavado profundo en el arranque inicial; continúe lavando por corriente hasta que el agua que se observe en el tubo indicador esté tan transparente como el agua de la piscina.

---

 **PRECAUCION** — Para evitar el daño al equipo y posibles lesiones, siempre desconecte la bomba antes de cambiar la posición de la válvula.

7. Para la bomba. Ajuste la válvula en la posición del filtro.
  8. Asegúrese que todas las tuberías de retorno a la piscina y de succión estén abiertas de modo que el agua quede libre de salir de la piscina y de volver a ésta.
  9. Abra el purgador de aire manual en la Válvula de 6 Vías (excepto TA 100D). Aléjese del filtro y haga arrancar la bomba.
  10. Cierre el purador de aire en la válvula de 6 Vías (excepto en TA 100D) cuando salga un chorro parejo de agua.
  11. Ahora el filtro ha comenzado con el ciclo de filtración. Tiene que asegurarse que el agua esté volviendo a la piscina y anotar la presión de la operación cuando el filtro esté limpio.
-

## Sección 2

# Mantenimiento


---

Esta sección describe cómo mantener su Filtro de Arena de Fibra de Vidrio Tagelus™.

### Cuidado del Filtro

El filtro es una parte muy importante de su equipo de piscina y de su instalación. El cuidado y el mantenimiento adecuados agregarán muchos años de servicio y goce de su piscina. Siga estas sugerencias para obtener una operación duradera y sin problemas.

1. Para limpiar la mugre y el polvo de la parte exterior del filtro, lávelo con un detergente suave y con agua y luego mangueréelo. No use solventes.
2. Si se necesita mantenimiento interno, se puede remover la arena removiendo el grifo de drenaje completo de la parte inferior del filtro, lavándolo con una manguera de jardín. También se puede usar la Parte de Vacío de Arena Pentair Water Pool and Spa No. 542090.
3. Si después de varios años, el estanque del filtro aparece descolorido o con una textura áspera, se puede pintar la superficie del estanque. Recomendamos el uso de esmalte de rocío de secado rápido. No Pinte la Válvula.


 **ADVERTENCIA—** Siempre inspeccione visualmente los componentes del filtro durante el servicio normal para garantizar la seguridad estructural. Cambie cualquier artículo que esté corroído, doblado o que en alguna otra forma se pueda percibir como defectuoso. Los componentes del filtro defectuosos pueden permitir las fugas en la parte superior del filtro o en los accesorios y producir lesiones corporales graves o daño a la propiedad.

4. La abrazadera de la válvula que se usa en su filtro Tagelus ha sido fabricada con materiales de alta calidad resistentes a la corrosión. El proceso de fabricación podría permitir que existan bordes afilados en las partes. Cuando trabaje con o alrededor de la abrazadera tenga cuidado de prevenir las lesiones potenciales en los dedos o manos debido al contacto con los bordes afilados.
5. Su filtro es un recipiente bajo presión y nunca debe recibir servicio cuando esté bajo presión. Siempre alivie la presión del estanque y abra el purgador de aire en la Válvula Tagelus antes de tratar de darle servicio al filtro.
6. Al volver a hacer arrancar su filtro siempre abra el purgador de aire manual en la Válvula Tagelus y aléjese del filtro.

### Frecuencia de Limpieza

1. El filtro de la piscina nueva tiene que ser lavado por corriente y se debe limpiar después de aproximadamente 48 horas de operación para limpiar el polvo del yeso y/o otras basuras de la construcción.
2. Hay tres maneras diferentes de identificar cuando el filtro necesita lavado por corriente:
  - a. El indicador más preciso en los sistemas de piscina con un medidor de flujo es lavar por corriente cuando el flujo disminuye 30% comparado con el original (filtro limpio). Por ejemplo, si el flujo original era de 60 GPM, el filtro tiene que lavarse por corriente cuando el flujo se haya reducido en alrededor de 20 GPM (o 30%) a 40 GPM.
  - b. Una indicación más subjetiva y menos precisa es observar la cantidad de agua que fluye de los dispositivos de dirección del flujo ubicados en la pared de la piscina. El filtro tiene que lavarse por corriente una vez que se haya detectado que el flujo se ha reducido.
  - c. La indicación que se usa más comúnmente pero es la menos precisa es lavar por corriente cuando la indicación del medidor del filtro aumenta 10 psi sobre la inicial (filtro limpio).
3. Es importante no lavar por corriente el filtro solamente en base a períodos de tiempo tal como cada tres días. También es importante fijarse que el lavado por corriente efectuado muy a menudo de hecho produce mala filtración. Los factores como las condiciones del tiempo, mucha lluvia, polvo y polen y las temperaturas del agua afectan la frecuencia del lavado por corriente. A medida que use su piscina se va a dar cuenta de esas influencias.
4. Si en cualquier momento la presión de arranque **después** de lavar el filtro por corriente indica que está 4 a 6 psi más alta que la presión normal de arranque, es tiempo de llevar a cabo el procedimiento de limpieza química.

## Procedimiento de Lavado por Corriente del Filtro

 **PRECAUCION** — Para evitar el daño al equipo y posibles lesiones, siempre desconecte la bomba antes de cambiar las posiciones de la válvula.

1. Pare la bomba.
2. Asegúrese que la tubería de succión y la tubería de lavado por corriente estén abiertas de modo que el agua pueda entrar desde la piscina y salir por la tubería de lavado por corriente. Ajuste la válvula de control a la posición de lavado por corriente (BACKWASH).
3. **Aléjese del filtro** y haga arrancar la bomba.
4. Lave el filtro por corriente aproximadamente 3 a 5 minutos o hasta que el agua de lavado por corriente salga limpia.
5. Para la bomba y ajuste la válvula en la posición de enjuague (RINSE).
6. **Aléjese del filtro** y haga arrancar la bomba.
7. Enjuague el filtro por aproximadamente 30 segundos.
8. Para la bomba y ajuste la válvula en la posición de filtro (FILTER).
9. Asegúrese que la tubería de retorno de la piscina esté abierta de modo que el agua pueda fluir libremente de la piscina de vuelta a la piscina.
10. Abra el purgador de aire manual en la Válvula de 6 Vías (excepto TA 100D). **Aléjese del filtro y haga arrancar la bomba.**
11. Cierre el purgador de aire manual en la Válvula de 6 Vías (excepto TA 100D) cuando salga un chorro de agua parejo del purgador.
12. El filtro ahora ha empezado su ciclo de filtración. Tiene que asegurarse que el agua está volviendo a la piscina y fijarse en la presión del filtro.
13. La presión del filtro en el paso 12 anterior no debe exceder la presión que se observó originalmente en el filtro cuando se hizo arrancar inicialmente. Si después de lavar por corriente, la presión está entre 4 a 6 psi sobre la condición de arranque, será necesario limpiar químicamente la capa de arena.

## Limpeza Quimica

1. Se recomienda que se use uno de los limpiadores siguientes:
  - a. FILTER-CLEANSE – Great Lakes Biochemical
  - b. FITLER-FREE – Hydrotech Chemical Corp.
  - c. KLEEN-IT – Bio Lab, Inc.

Estos limpiadores van a remover aceites, escamas y óxido de la capa de arena en una operación de limpieza.

2. Mezcle una solución siguiendo las instrucciones del fabricante en la etiqueta.
3. Lave el filtro por corriente con la Válvula de Agujeros Múltiples como se ha descrito anteriormente.
4. Si el filtro está por debajo del nivel de la piscina, desconecte la bomba y cierre la válvula apropiada para evitar que la piscina se vacíe.
5. Desconecte la bomba, abra el drenaje del filtro y permita que se vacíe el filtro. Ponga la válvula en la posición del lavado por corriente.
6. Después de que el filtro se haya drenado, cierre el drenaje del filtro y remueva la tapa del depósito del colador de la bomba.
7. Asegúrese que las tuberías de lavado por corriente estén abiertas.
8. Conecte la bomba y lentamente vacíe la solución de limpieza en el colador de la bomba con la bomba funcionando. Si el filtro está debajo de la piscina, abra la válvula de cierre un poco para permitir que la bomba funcione.
9. Continúe agregando solución hasta que la capa de arena esté saturada con la solución de limpieza.
10. Apague la bomba y deje el filtro en la posición de lavado por corriente. Permita que el filtro descanse de un día para el otro (12 horas).

6 (sp)

11. Vuelva a colocar la tapa de la bomba y siga el procedimiento de lavado por corriente que se ha descrito anteriormente.
12. No permita que la solución de limpieza caiga dentro de la piscina.

## **Preparacion del Filtro para el Invierno**

1. En las áreas que tienen temperaturas de invierno que producen congelación, proteja el equipo de la piscina lavando el filtro por corriente.
2. Después de lavar el filtro por corriente, desconecte la bomba, abra el purgador de aire manual en la Válvula de 6 Vías (excepto TA 100D) y mueva la manilla de la Válvula de Agujeros Múltiples a la posición de preparación para el invierno.
3. Remueva el tapón tipo mariposa de la parte inferior del filtro. El filtro se drenará muy lentamente y por lo tanto, se recomienda que el tapón de drenaje se deje afuera durante la temporada en que la piscina no está en uso.

---

### **AVISO:**

La válvula de agujeros múltiples tiene que dejarse en la posición de preparación para el invierno durante la temporada en que la piscina no está en uso, de modo que el desviador de la válvula no tenga presión en el sello de caucho.

---

4. Drene todo el sistema adecuado de tuberías.
5. Recomendamos que se cubra el equipo con una sábana de plástico o de lona impermeable para evitar el deterioro debido al clima. No envuelva el motor de la bomba con plástico.



## Sección 3

# Localización de Averías

Use la siguiente información de localización de averías para resolver posibles problemas con su Filtro Tagelus™.

### **ADVERTENCIA — ESTE FILTRO OPERA BAJO ALTA PRESIÓN**



Cuando cualquier parte del sistema de circulación es revisado (por ejemplo, tapa, bomba, filtro, válvula(s), etc.), el aire puede ingresar al sistema y volverse presurizado. El aire presurizado puede hacer que la tapa superior se separe lo cual puede resultar en lesiones severas, muerte o daño de la propiedad. Para evitar este peligro potencial, siga estas instrucciones:

1. Si no está familiarizado con su sistema de filtración y/o calentador de piscina:
  - a. **NO** intente ajustar o hacer una revisión sin consultar con su distribuidor o con un técnico de piscina calificado.
  - b. Lea completamente la Guía del Usuario e Instalación antes de intentar usar, hacer una revisión o ajustar el sistema o calentador de filtración de la piscina.
2. Antes de volver a colocar la(s) válvula(s) y antes de empezar el ensamblaje, desmontaje o cualquier otro servicio del sistema de circulación: (A) Apague la bomba (**TURN OFF**) y desconecte (**SHUT OFF**) cualquiera de los controles automáticos para asegurarse que el sistema **NO** se encienda repentinamente durante la revisión; (B) abra la válvula de purga de aire manual; (C) espere hasta que toda la presión se haya liberado.
3. Cuando instale la tapa del filtro **SIGA EXACTAMENTE LAS ADVERTENCIAS DE LA TAPA DEL FILTRO.**
4. Una vez que complete el servicio en el sistema de circulación **SIGA EXACTAMENTE LAS INSTRUCCIONES INICIALES.**
5. Mantener el sistema de circulación adecuadamente. Reemplazar las partes deterioradas dañadas (Ej., tapa, indicador de presión, válvula(s), anillos "O", etc.).
6. Asegúrese que el filtro esté montado y colocado adecuadamente de acuerdo con las instrucciones provistas.

**Nota:** Desconecte la energía de la unidad antes de intentar hacer un servicio o reparación.

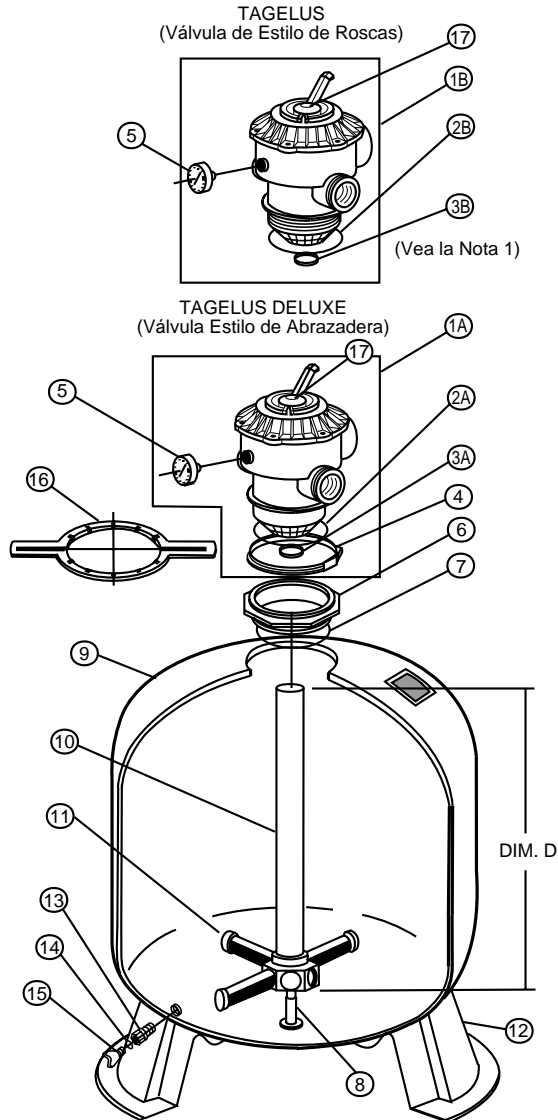
PROBLEMA	CAUSA	SOLUCIÓN
<b>El agua de la piscina no está lo suficientemente limpia.</b>	<ol style="list-style-type: none"> <li>1. La química de la piscina no es adecuada para inhibir el crecimiento de algas.</li> <li>2. Lavado por corriente muy frecuente.</li> <li>3. Cantidad inapropiada o tamaño de la arena equivocada.</li> <li>4. Velocidad de rotación inadecuada.</li> </ol>	<p>Mantenga la química de la piscina o consulte con el técnico de servicio de la piscina.</p> <p>Permita que la presión se acumule a 10 psi sobre la condición del filtro limpio antes de hacer lavado por corriente.</p> <p>Revise la profundidad de la capa de arena y el tamaño de la arena o consulte con el técnico de servicio de la piscina.</p> <p>Haga funcionar el sistema por un tiempo más largo o consulte con el distribuidor o con el técnico de servicio de la piscina.</p>
<b>Alta presión del filtro.</b>	<ol style="list-style-type: none"> <li>1. Lavado por corriente insuficiente.</li> <li>2. La capa de arena tapada con depósitos minerales.</li> <li>3. La válvula está parcialmente cerrada o hay restricción en el retorno.</li> </ol>	<p>Lave por corriente hasta que el agua efluente salga transparente.</p> <p>Limpie el filtro químicamente.</p> <p>Abra la válvula o remueva la obstrucción en la tubería de retorno.</p>
<b>Ciclos cortos.</b>	<ol style="list-style-type: none"> <li>1. Lavado por corriente inadecuado.</li> <li>2. La química de la piscina no es adecuada para inhibir el crecimiento de algas.</li> <li>3. La capa de arena está tapada.</li> <li>4. La velocidad del flujo demasiado alta.</li> </ol>	<p>Lave por corriente hasta que el agua efluente salga transparente.</p> <p>Mantenga la química de la piscina o consulte con el técnico de servicio de la piscina.</p> <p>Remueva manualmente 1 in. de la superficie superior de la capa de arena y límpiela químicamente según sea necesario.</p> <p>Restrinja el flujo a la capacidad del filtro.</p>
<b>Flujo de retorno a la piscina disminuido. Presión del filtro baja.</b>	<ol style="list-style-type: none"> <li>1. Obstrucción en el colador de pelusa y cabello de la bomba.</li> <li>2. Obstrucción de la bomba.</li> <li>3. Obstrucción en la tubería de succión a la bomba.</li> </ol>	<p>Limpie el canasto en el colador.</p> <p>Desmonte y limpie la bomba.</p> <p>Limpie el canasto despumador. Remueva la obstrucción en las tuberías. Abra las válvulas en la tubería de succión.</p>
<b>La arena vuelve a la piscina.</b>	<ol style="list-style-type: none"> <li>1. Lateral debajo del drenaje quebrado.</li> <li>2. Velocidad del lavado por corriente demasiado alta.</li> <li>3. El colador de aire en la válvula Tagelus está dañado o falta.</li> </ol>	<p>Cambie el lateral dañado o roto.</p> <p>Reduzca la velocidad del flujo del lavado por corriente.</p> <p>Cambie los componentes dañados.</p>

# Sección 4

## Partes de Repuesto

### FILTRO DE ARENA TAGELUS™

TA 40 / TA 40D  
TA 50 / TA 50D  
TA 60 ClearPro™ / TA 60D  
TA 100D



#### AVISO IMPORTANTE

El adaptador de la válvula que se ha usado en los filtros TA 40D, 50D, y 60D fabricados después del 1.º de Noviembre de 1994 cuenta con un sello de la superficie nuevo diseñado con un anillo de sello cuadrado de color blanco con número de Parte 154494.

El anillo "O" negro, Parte 154493, que se usa en nuestros filtros TA 40D, 50D, y 60D fabricados antes del 1.º de Noviembre de 1994 no son intercambiables con el anillo de sello nuevo Parte 154494.

Cuando se ordene el sello de repuesto cerciorese de especificar cual es el sello que su filtro tiene en el adaptador.

#### DETALLE A

Después del 1.º de Nov. de 1991  
ROSCA TRAPEZOIDAL DE 6"



#### DETALLE B

Antes del 1.º de Nov. de 1991  
ROSCA "V" DE 6"



#### NOTAS

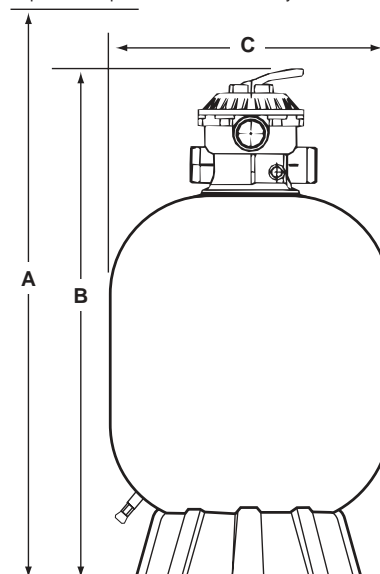
Los filtros fabricados después del 1 de Noviembre de 1991 utilizan una rosca de contrafuerte de 6 pulg. en la apertura superior del tanque del filtro y la tapa, véase el Detalle A.

Los filtros fabricados antes del 1 de Noviembre de 1991 utilizan una rosca de tipo "V" de 6 pulg., véase el Detalle B.

Las tapas de 6 pulg. de los Detalles A. y B.  
**NO se pueden intercambiar.**

MODELO	DIM. A	DIM. B	DIM. C
TA 40	46 in.	37 in.	18¾ in.
TA 50	50½ in.	38½ in.	21¼ in.
TA 60 ClearPro™	57 in.	42½ in.	24½ in.
TA 40D	47 in.	37 in.	19½ in.
TA 50D	51½ in.	39½ in.	21½ in.
TA 60D	57 in.	42½ in.	24½ in.
TA 100D	65½ in.	47¼ in.	30½ in.

Espacio libre para remover la válvula y la tubería interna



# FILTRO DE ARENA TAGELUS™

## Partes de Repuesto

**NOTA 1:** El artículo 3A Anillo O-Tubería de circulación se usa en los Modelos TA100D de filtro solamente. El artículo 3B Anillo O-Tubería de circulación se usa solamente en los Modelos del filtro Tagelus TA 30, 35, 40, 50, y 60 fabricados antes de Abril de 1993. El artículo 3B no se usa en los Modelos del filtro Tagelus Deluxe TA 30D, 35D, 40D, 50D, y 60D ni en ningún Modelos Tagelus fabricado después de Abril 1993.

**NOTA 2:** El conjunto de estanque y pie de Tagelus Deluxe tiene un adaptador de válvula (Artículo 6) instalado en la fábrica.

**NOTA 3:** El repuesto del estanque y pie necesita el uso de cinta de montaje. Vea el número de la parte en la lista.

**NOTA 4:** Lubrique el Anillo O liberalmente con lubricante de silicona y apriete según las especificaciones siguientes: TA 30D, 35D, 40D, 50D, y 60D. apretar a mano más ¼ vuelta min. TA 100D apretar a mano más ¾ vuelta min.

**NOTA 5:** Los Modelos de filtro Tagelus TA 30, 40, 50, y 60 fabricados después del 1o. de Noviembre de 1991 se fabricaron con una abertura de la parte superior de rosca trapezoidal y usan una válvula estilo rosca trapezoidal que es de color negro (vea el Detalle A). Se hizo un cambio en el arreglo del agujero en Abril de 1993, que exigiera cambios de menor importancia en las conexiones de la plomería de la válvula cuando se cambien válvulas en los filtros fabricados entre Nov. '91 y Marzo del '93. **NO TRATE DE INTERCAMBIAR LOS TIPOS DE ROSCAS.**

**NOTA 6:** Los Modelos de filtro Tagelus TA 30, 35, 40, 50, y 60 fabricados antes del 1o. de Noviembre de 1991 se fabricaron con válvula estilo de rosca "V" que es café o blanca. Estas válvulas se pueden reemplazar solamente con válvulas de rosca "V" número de Parte 261124. **NO TRATE DE INTERCAMBIAR LOS TIPOS DE ROSCAS.**

**NOTA 7:** Los Modelos de filtro Tagelus Deluxe TA 30D, 35D, 40D, 50D, y 60D fabricados después del 1o. de Noviembre de 1991 se fabricaron con una abertura de la parte superior de rosca trapezoidal y usan un adaptador de válvula de rosca trapezoidal número de Parte 154555. **NO TRATE DE INTERCAMBIAR LOS TIPOS DE ROSCAS.**

**NOTA 8:** Los Modelos de filtro Tagelus Deluxe TA 30D, 35D, 40D, 50D, y 60D fabricados antes del 1o. de Noviembre de 1991 se fabricaron con una abertura de la parte superior de válvula estilo de rosca "V" y usan un adaptador de válvula de rosca "V" número de Parte 155225. **NO TRATE DE INTERCAMBIAR LOS TIPOS DE ROSCAS.**

**NOTA 9:** Los Modelos de filtro Tagelus Deluxe TA 100D hechos antes 1o. de Diciembre de 1993, tienen una operación de rosca distinta en el estanque del filtro y exigen un adaptador de 8½ in. distinto número de Parte 154521.

TA 40D	①
TA 50D	②
TA 60D	③
TA 100D	④
TA 60 (ClearPro™)	⑤
TA 50 (Con 1/4 Vuelta)	⑥

Para determinar la fecha de fabricación los 4 primeros dígitos del número de serie indican el mes y año en el que el producto fue fabricado.

Artículo	No. del Repuesto	Descripción
1A	262506	VALVULA 1½ in. ESTILO ABRAZADERA DE SEIS POSICIONES ①②③
1A	261185	VALVULA 2 in. ESTILO ABRAZADERA DE SEIS POSICIONES ④
1B	261130	VALVULA 1½ in. ESTILO ROSCA TRAPEZIODAL SEIS POSICIONES (VEA LA NOTA 5)
1B	261124	VALVULA 1½ in. ESTILO ROSCA "V" SEIS POSICIONES (VEA LA NOTA 6)
2A	272541	ANILLO O-CUERPO DE LA VALVULA (3/16 X 4¾ in.) DIA. INT. ①②③
2A	275333	ANILLO O-CUERPO DE LA VALVULA (3/16 X 6½ in.) DIA. INT. ④
2B	154493	ANILLO O-CUERPO DE LA VALVULA (.157 X 5.75 in.) DIA. INT. - TA 40/50/60
3A	355330	ANILLO O-TUBERIA DE CIRCULACION (1/8 X 2-3/8 in.) DIA. INT. - (VEA LA NOTA 1) ④
3B	155064	ANILLO O-TUBERIA DE CIRCULACION (1/8 X 1-7/8 in.) DIA. INT. ①②③ (VEA LA NOTA 1)
4	152165	ABRAZADERA (6½ in.) DIA. - ACERO INOX., PLÁSTICO ①②③
4	152130	ABRAZADERA (8.35 in.) DIA. ④
5	190059	MEDIDOR-PRESION DE MONTAJE TRASERA
6	154555	ADAPTADOR-ROSCA TRAPEZOIDAL DE (6 in.) (VEA LAS NOTAS 4 y 7) ①②③
6	155225	ADAPTADOR-ROSCA "V" DE (6 in.) (VEA LAS NOTAS 4 y 8) ①②③
6	154521	ADAPTADOR-ROSCA TRAPEZOIDAL DE (8½ in.) (VEA LA NOTA 4 y 9) ④
7	154494	ADAPTADOR VALVULA ANILLO O (1/8 X 6¼ in.) DIA. INT. ①②③
7	355619	ADAPTADOR VALVULA ANILLO O (3/16 X 8¼ in.) DIA. INT. ④
8	155002	ESTABILIZADOR, TUBO CENTRAL
9	155276	CONJUNTO DE ESTANQUE Y PIE CON ADAPTADOR DE VALVULA (VEA LAS NOTAS 2, 7 y 8) ①
9	155279	CONJUNTO DE ESTANQUE Y PIE CON ADAPTADOR DE VALVULA (VEA LAS NOTAS 2, 7 y 8) ②
9	155269	CONJUNTO DE ESTANQUE Y PIE CON ADAPTADOR DE VALVULA (VEA LAS NOTAS 2, 7 y 8) ③
9	155324	CONJUNTO DE ESTANQUE Y PIE CON ADAPTADOR DE VALVULA (VEA LAS NOTAS 2, 7 y 8) ④
9	155342	CONJUNTO DE ESTANQUE Y PIE ESTILO ROSCA TRAPEZOIDAL (VEA LAS NOTAS 5 y 6) ①
9	155343	CONJUNTO DE ESTANQUE Y PIE ESTILO ROSCA TRAPEZOIDAL (VEA LAS NOTAS 5 y 6) ②
9	155358	CONJUNTO DE ESTANQUE Y PIE ESTILO ROSCA TRAPEZOIDAL (VEA LAS NOTAS 5 y 6) ③
10	155061	CONJUNTO DE TUBERIAS (DIM. D = 17¼ in.) ①
10	155062	CONJUNTO DE TUBERIAS (DIM. D = 19-7/8 in.) ②
10	155334	CONJUNTO DE TUBERIAS (DIM. D = 19-7/8 in.) ③
10	155063	CONJUNTO DE TUBERIAS (DIM. D = 22-5/8 in.) ④
10	155299	CONJUNTO DE TUBERIAS (ClearPro™) - CON EJE (DIM. D = 22-5/8 in.) ⑤
10	155340	CONJUNTO DE TUBERIAS - SIN EJE (DIM. D = 27¼ in.) ④
10	155323	CONJUNTO DE TUBERIAS - CON EJE (DIM. D = 27¼ in.) ④

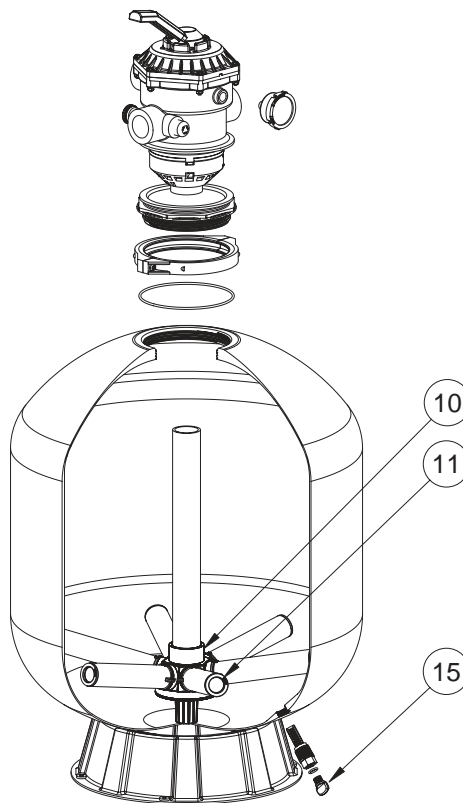
10 (sp)

## FILTRO DE ARENA TAGELUS™

### Partes de Repuesto

TA 40 / TA 40D  
TA 50 / TA 50D  
TA 60 ClearPro™ / TA 60D  
TA 100D

Artículo	No. del Repuesto	Descripción
11	152290	LATERAL 6-11/16 in. LONGITUD, 8 req. ①②③
11	152202	LATERAL 9-1/8 in. LONGITUD ④
11	150088	ASAMBLEA LATERAL - ClearPro™, 6 req. ⑤
11	150085	ASAMBLEA LATERAL - 1/4 VUELTA, 6 req. ⑥
12	154926	PIE-ESTANQUE (VEA LA NOTA 3) ①②③
12	154596	PIE-ESTANQUE (VEA LA NOTA 3) ④
13	154698	GRIFO ¾ in. NPT DRENAJE ARENA
13	154685	GRIFO ½ in. NPT DRENAJE ARENA
13	152220	GRIFO 2 in. NPT DRENAJE ARENA ④
14	192115	ANILLO O - TAPON DE ARENA 1/16 in. X ½ in. DIA. INT.
15	357161	TAPON ¼ in. NPT DRENAJE
16	154512	LLAVE 6½ in. FILO AL EJE ①②③
16	151608	LLAVE 9 in. FILO AL EJE ④
	154402	CINTA-MONTAJE PIE (NO SE MUESTRA) - TODAS EXCEPTO ④
	154407	CINTA-MONTAJE PIE (NO SE MUESTRA) ④
	155051	GUIA DE ARENA (NO SE MUESTRA)
	155281	ASAMBLEA DE EJE ①②③④
	152222	ASAMBLEA DE EJE - 1/4 VUELTA ⑤⑥

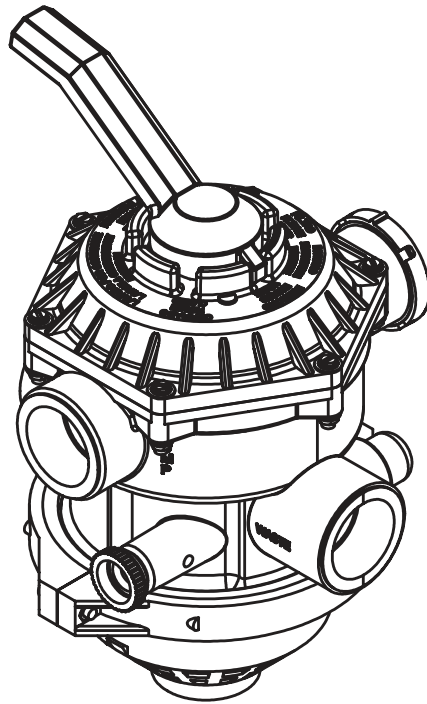


Detalle para Tagelus™ - TA 60 Filtros con ClearPro™

TA 40D	①
TA 50D	②
TA 60D	③
TA 100D	④
TA 60 (ClearPro™)	⑤
TA 50 (Con 1/4 Vuelta)	⑥

Para determinar la fecha de fabricación los 4 primeros dígitos del número de serie indican el mes y año en el que el producto fue fabricado.

# VÁLVULA DE HiFlow™ DE 6 VIAS - 1-1/2"



## MANUAL DE INSTALACION, OPERACION Y SERVICIO

IMPORTANTES INSTRUCTIVOS DE SEGURIDAD  
*LEA Y SIGA TODOS LOS INSTRUCTIVOS*  
PROTEJA ESTOS INSTRUCTIVOS

**⚠ ADVERTENCIA** — ESTE MANUAL CONTIENE INFORMACION DE IMPORTANCIA CRITICA QUE DEBE SER ENTREGADA AL USUARIO FINAL. SI NO SE LEEN NI SE SIGUEN ESTAS INSTRUCCIONES SE PUEDEN PRODUCIR LESIONES PERSONALES GRAVES Y/O DAÑO DE IMPORTANCIA A LA PROPIEDAD.

## CONTENIDO

COMO FUNCIONA SU VALVULA .....	2
INSTALACION .....	3
CAMBIO DEL CONJUNTO DE LA PARTE SUPERIOR DE LA VALVULA Y DEL DESVIADOR .....	4
CUIDADO DE LA VALVULA .....	5
PREPARACION DE LA VALVULA PARA EL INVIERNO .....	5
GUIA PARA LA IDENTIFICACION DE PROBLEMAS .....	5
PARTES DE REPUESTO .....	6

Esta válvula opera bajo presión. Cuando se cierra en forma adecuada y se opera sin aire en el sistema de agua esta válvula va a operar de una manera segura.

***LEA CUIDADOSAMENTE Y SIGA TODAS LAS INSTRUCCIONES DE SEGURIDAD  
EN ESTE MANUAL O EN EL FILTRO.***

### Como Funciona su Válvula

Su válvula de seis posiciones ha sido diseñada para proporcionar todas las posiciones necesarias para operar, mantener, identificar los problemas y darle servicio a su filtro. Cuenta con seis posiciones de operación y una posición para la preparación para el invierno. La válvula está fabricada de materiales de alta calidad y resistentes a la corrosión y cuando se instala, opera y mantiene según estas instrucciones, su válvula le entregará años de una operación sin problemas.

**⚠ ADVERTENCIA** — Si entra aire en el filtro y la abrazadera de la válvula no está cerrada en forma adecuada se pueden producir escapes en la válvula y daños corporales graves y/o daño a la propiedad. (Algunos modelos de válvulas no cuentan con una abrazadera sino que se enroscan dentro del estanque del filtro.)

1. Esta válvula está equipada con un dispositivo para purgar el aire externo (Artículo 12). Siempre abra este purgador de aire y aléjese del filtro y de la válvula antes de hacer arrancar la bomba del sistema y déjelo abierto hasta que salga un chorro de agua parejo.

**⚠ PRECAUCION** — Para prevenir el daño del equipo y posibles lesiones siempre desconecte la bomba antes de cambiar la posición de la válvula.

2. Esta válvula tiene una posición cerrada. Nunca puede estar conectada la bomba cuando la válvula está en la posición cerrada. Si la bomba se opera con la válvula cerrada, el sistema de alivio de aire deja de funcionar y puede producirse una situación explosiva. Además, si se hace funcionar el sistema sin flujo el equipo se dañará gravemente.

### POSICIONES DE LA VALVULA:

<b>FILTER (FILTRO)</b>	Desde la bomba, a través de la válvula, hacia abajo A TRAVES DEL FILTRO, hacia arriba a través de la tubería central, hacia el agujero de RETORNO de la válvula para una acción de filtro normal y la aspiración de la piscina a través del filtro.
<b>BACKWASH (LAVADO POR CORRIENTE)</b>	Desde la bomba, a través de la válvula, hacia abajo a través de la tubería central y hacia el agujero de DESECHO de la válvula para limpiar el filtro invirtiendo el flujo.
<b>RINSE (ENJUAGUE)</b>	Desde la bomba, a través de la válvula, hacia abajo a través del filtro, hacia arriba a través de la tubería central al agujero de DESECHO de la válvula para la limpieza en el arranque y para volver a ajustar la capa del filtro después del lavado por corriente.
<b>WASTE (DESECHO)</b>	Desde la bomba, a través de la válvula PASANDO POR ALTO EL FILTRO, hacia el agujero de DESECHO para aspirar directamente el desecho, bajando el nivel de la piscina o drenándola.
<b>CLOSED (CERRADO)</b>	SIN FLUJO - NO USE ESTE AJUSTE CON LA BOMBA EN OPERACION.
<b>RECIRCULATE (RECIRCULACION)</b>	Desde la bomba, a través de la válvula, pasando por alto el filtro y hacia el agujero de retorno para circular el agua sin pasar por el filtro.

## Instalación

1. Revise la caja de cartón para verificar si hay daño debido al manejo abrupto durante el envío. Si la caja de cartón o cualquiera de los componentes está dañado, avísele a la compañía de transporte inmediatamente.

---

### AVISO:

Cuando trabaje con o alrededor de la abrazadera tenga cuidado de prevenir las lesiones potenciales en los dedos o manos debido al contacto repentino con los bordes afilados.

2. Después de la inspección, remueva cuidadosamente los componentes de la válvula de la caja de cartón.  
Asegúrese que se ha colocado arena en el filtro, que la guía de arena ha sido removida y que la arena y la mugre se han limpiado de la parte superior del filtro.


---

### AVISO:

La válvula del filtro se adjuntará al filtro de una o dos maneras dependiendo del tipo de filtro y válvula.

**Las válvulas del estilo con abrazadera usan una abrazadera que sujeta las bridas de la válvula y del filtro juntas entre sí. Siga exactamente los pasos 3 a 8 a continuación para adjuntar la válvula al filtro. (No considere los pasos 9 a 12.)**


3. Revise para asegurarse que el (Artículo 14), el anillo O, esté en su lugar en la ranura en el cuerpo de la válvula. (*Aviso:* Los números de los artículos en esta parte del folleto de instrucciones se refieren a la lista de las partes de repuesto llamada “Válvula de HiFlow™ de Seis Vías”.)
4. Abra la abrazadera (Artículo 15) con la suficiente amplitud como para colocarla sobre la brida en el estanque y que descansa en éste antes de que se instale la válvula.
5. Ponga la válvula sobre la abertura en la parte superior del estanque de modo que la tubería central del filtro se deslice dentro del diámetro interno del cuerpo de la válvula.
6. Los agujeros de la válvula están marcados con la ubicación en dónde se deben conectar, es decir, el agujero de la bomba tiene que ir a la descarga de la bomba, el agujero de desecho tiene que ir a la tubería de desecho y el agujero de retorno tiene que ir al retorno de la piscina.
7. Oriente la válvula para permitir que todos los agujeros queden conectados con la ubicación adecuada.
8. Presione la válvula hacia abajo de modo que el (Artículo 14), anillo O, esté hacia abajo dentro de la abertura de la parte superior del estanque.

 **ADVERTENCIA** — El montaje inadecuado de la válvula del estanque puede producir fugas en la válvula y producir lesiones graves y/o daño a la propiedad.


Levante la abrazadera (Artículo 15) sobre la brida del estanque y guíe cuidadosamente la abrazadera de modo que agarre tanto la brida de la válvula como la del estanque. Apriete la tuerca del perno “T” en forma segura.

**Las válvulas de estilo roscado usan roscas trapezoidales de 6” que se atornillan directamente en el estanque del filtro. Siga exactamente los pasos 9 a 12 a continuación para adjuntar la válvula al filtro. (No considere los pasos 3 a 8.)**

9. Revise para asegurarse que el anillo O, (Artículo 14), esté en su lugar sobre la rosca grande en el cuerpo de la válvula y que esté lubricado. Si el anillo O necesita lubricación, use solamente una lubricación de silicona.

 **ADVERTENCIA** — El uso de lubricantes o selladores de tuberías fuera de los recomendados en este folleto de instrucción pueden dañar la válvula y producir escapes en la válvula y se pueden producir lesiones corporales graves o daño a la propiedad.

10. Revise para asegurarse que el conjunto de la tubería del filtro esté centrado exactamente alrededor de 1 ½” debajo de la abertura roscada grande en el estanque.
11. Cuidadosamente instale la válvula dentro de la abertura del filtro de modo que el conjunto de la tubería del filtro se deslice dentro del casquillo de la válvula. Lentamente, gire la válvula en el sentido en que se mueven las manillas del reloj hasta que la rosca se enganche con la rosca en el estanque. Continúe girando la válvula hasta que el anillo O en la válvula entre en contacto con el estanque. Agarre la válvula desde los dos agujeros opuestos y apriete, asegurándola tanto como sea posible manualmente.

 **ADVERTENCIA** — No instale tuberías en los agujeros roscados con el fin de obtener una ventaja mecánica, pues esto puede hacer que queden muy apretadas y se puede dañar la válvula y producir fugas produciendo lesiones corporales graves y/o daño a la propiedad.

**AVISO:**


La válvula no debe ponerse dura para girarla cuando se instale en la abertura del filtro hasta que el anillo O de la válvula entre en contacto con la superficie del filtro. Si no se coloca el conjunto de la tubería del filtro en el centro de la abertura del filtro grande, puede suceder que la válvula no se enrosque en forma adecuada en el estanque del filtro.

12. Oriente el filtro con la válvula para permitir que los agujeros se conecten con la ubicación adecuada.
13. La presión de operación máxima de esta válvula es de 50 psi. La unidad del filtro también tiene una presión de operación máxima marcada en la placa del fabricante del filtro. NO OPERE esta unidad sobre la presión de operación máxima de la válvula o del filtro. Nunca conecte el filtro y la unidad de la válvula a una bomba que pueda generar una presión que exceda la presión de operación del filtro o de la válvula.
14. Monte la tubería y sus accesorios en la bomba y la válvula. Todas las tuberías tienen que estar de acuerdo con los códigos de salud y de plomería estatales y locales.
15. Use un sellador en todas las conexiones macho ahusadas de las tuberías o accesorios. Use solamente compuesto sellador que sea adecuado para la tubería de plástico. Soporte la tubería para evitar los esfuerzos en el filtro, la bomba y la válvula.

**AVISO:**

Todas las roscas internas de la válvula son ahusadas excepto la conexión del purgador de aire. No apriete demasiado las conexiones de roscas ahusadas.

16. Instale el medidor de presión en un agujero de ¼" NPT directamente al frente del agujero de la bomba.
17. Nunca guarde los productos químicos de la piscina dentro de 10 pies de la válvula del filtro de su piscina. Los productos químicos de la piscina siempre se deben guardar en una área fresca, seca y bien ventilada.

 **ADVERTENCIA** — Los vapores de los productos químicos y/o los derrames pueden producir ataques graves en los componentes estructurales de la válvula del filtro. Los componentes que se han debilitado estructuralmente pueden hacer que la válvula del filtro o que los accesorios produzcan escapes y se pueden producir lesiones corporales graves y/o daño a la propiedad.


**Cambio del Conjunto de la Parte Superior de la Válvula y del Desviador**

1. Apague la bomba y abra el purgador de aire para aliviar toda la presión interna.
2. Ajuste la manilla de la válvula en la posición de preparación para el invierno.
3. Remueva los 6 tornillos de cubierta (Artículo 9).
4. Levante el conjunto de la parte superior de la válvula y del desviador.

**AVISO:**

El conjunto del desviador de la válvula tiene la empaquetadura de sellado adjunta al desviador. Cuando maneje el desviador tenga cuidado de evitar que la superficie de sellado se dañe durante el manejo.

5. Limpie la superficie de sellado con un trapo sin pelusas, limpio y suave. Inspeccione la superficie para verificar si hay daño tal como rayaduras o picaduras. Si la superficie está dañada se tiene que cambiar el cuerpo de la válvula.
6. Cuidadosamente lubrique el anillo O nuevo de repuesto para la parte superior de la válvula, (Artículo 8), con un lubricante de base de silicona y colóquelo en la parte superior de la válvula en forma adecuada.

 **ADVERTENCIA** — El montaje inadecuado del conjunto de la válvula del estanque puede producir fugas en la válvula y producir lesiones graves y/o daño a la propiedad.

7. Coloque la manilla de la parte superior de la válvula nueva en la posición de preparación para el invierno. Instale el conjunto de la parte superior de la válvula nueva y del desviador asegurándose que la pequeña hendidura en la tapa y el promontorio pequeño en el cuerpo de la válvula estén alineados. Empiece los 6 tornillos con los dedos para asegurarse que el tornillo se empieza en la rosca formada del cuerpo de la válvula, los tornillos se tienen que apretar progresivamente apretando los tornillos diametralmente opuestos siguiendo un patrón cruzado. Apriete los 6 tornillos de adjuntamiento de la parte superior de la válvula firmemente. NO LOS APRIETE DEMASIADO.

**AVISO:**

La parte superior de la válvula se adjunta con tornillos autorroscantes. Los tornillos tienen que ser alineados en forma adecuada para evitar que se crucen las roscas de los tornillos en el cuerpo de la válvula.



## Cuidado de la Válvula

La válvula es una parte muy importante de su equipo de piscina y de su instalación. El cuidado y el mantenimiento adecuado agregarán muchos años de servicio y goce de su piscina. Siga estas sugerencias para obtener una operación duradera y sin problemas.

1. Para limpiar la mugre y el polvo de la parte exterior de la válvula, lávela con un detergente suave y con agua y luego mangüeréela. No use solventes.



**ADVERTENCIA** — Siempre inspeccione visualmente los componentes de la válvula durante el servicio normal para garantizar la seguridad estructural. Cambie cualquier artículo que esté corroído, doblado o que en alguna otra forma se pueda percibir como defectuoso. Los componentes de la válvula defectuosos pueden permitir las fugas en la válvula o en los accesorios y producir lesiones corporales graves o daño a la propiedad.

2. La abrazadera que se usa en su válvula ha sido fabricada con materiales de alta calidad resistentes a la corrosión. El proceso de fabricación podría permitir que existan bordes afilados en las partes. Cuando trabaje con o alrededor de la abrazadera tenga cuidado de prevenir las lesiones potenciales en los dedos o manos debido al contacto con los bordes afilados.
3. Su válvula es un recipiente bajo presión y nunca debe recibir servicio cuando esté bajo presión. Siempre alivie la presión del estanque y abra el purgador de aire en el filtro antes de tratar de darle servicio a su válvula.
4. Abra el purgador de aire manual y aléjese del filtro/válvula antes de volver a hacer arrancar la bomba.

## Preparación de la Válvula Para el Invierno

1. Desconecte la bomba y abra el purgador de aire de la válvula.
2. Drene y prepare la bomba y el filtro para el invierno según las instrucciones del fabricante.
3. Presione la manilla de la válvula y rótelas de modo que el puntero de la válvula esté en la pestaña circular en la parte superior de la válvula, en el área de ésta marcada con PREPARACIÓN PARA EL INVIERNO (WINTERIZE).

### AVISO:

La válvula se tiene que dejar en esta posición durante la temporada que no se usa de modo que el desviador de la válvula no tenga presión en el sello de caucho.

## Problemas

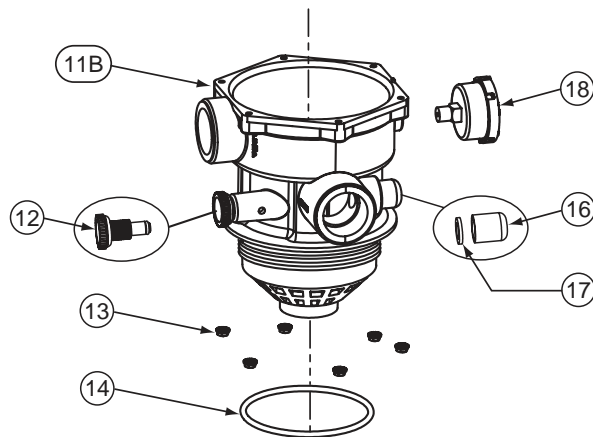
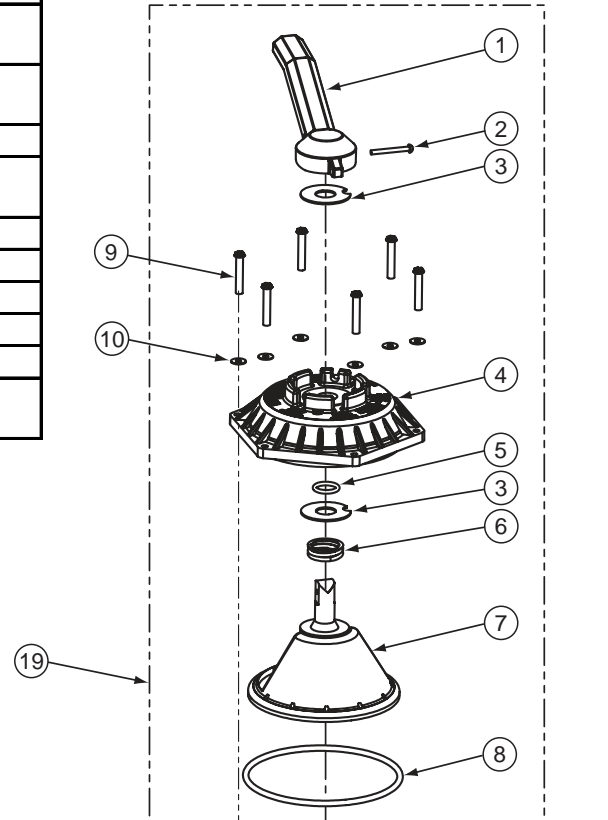
Problema	Causa	Solución
Fuga en el agujero de desecho	<ol style="list-style-type: none"> <li>1. Mugre o arena debajo del sello.</li> <li>2. Sello dañado.</li> <li>3. Cuerpo de la válvula dañado en el área del sello.</li> </ol>	<p>Remueva la parte superior de la válvula y limpie el área de sellado.</p> <p>Cambie el conjunto de la parte superior de la válvula</p> <p>Cambie el cuerpo de la válvula.</p>
Fuga en las conexiones del agujero con la válvula	<ol style="list-style-type: none"> <li>1. Agujeros partidos.</li> <li>2. No se usó sellador en las roscas.</li> </ol>	<p>Cambie el cuerpo de la válvula, use el conjunto adecuado y no apriete demasiado la conexión del agujero.</p> <p>Use sellador.</p>
La arena está volviendo a la piscina	<ol style="list-style-type: none"> <li>1. Problema con el filtro.</li> <li>2. La arena se está soplando a través de las ranuras de la ventilación de aire o entre la tubería del centro del filtro en la válvula.</li> </ol>	<p>Refiérase al manual de filtro.</p> <p>El tamaño de la arena es muy pequeño o la velocidad del flujo a través del filtro muy alta.</p>
Fuga en el adjuntamiento de la válvula con el filtro	Fuga pasado el Anillo O.	Remueva la válvula e inspeccione el Anillo O y la superficie de sellado, cámbiela si es necesario.
Fuga en la manilla	Fuga pasado el Anillo O.	Cambie el conjunto superior de la válvula.
Fuga en la parte superior de la válvula al cuerpo de la válvula	Fuga pasado el Anillo O.	Remueva la válvula e inspeccione el Anillo O y la superficie de sellado, cámbiela si es necesario.
Fuga en el tubo indicador con el rompedor de vacío	Mugre en la empaquetadura de sellado.	Remueva el tubo indicador y enjuáguelo con agua fría para remover la mugre. Cambie el tubo indicador si está dañado.

**VALVULA DE HiFlow™ DE 6 VIAS****Partes de Repuesto**

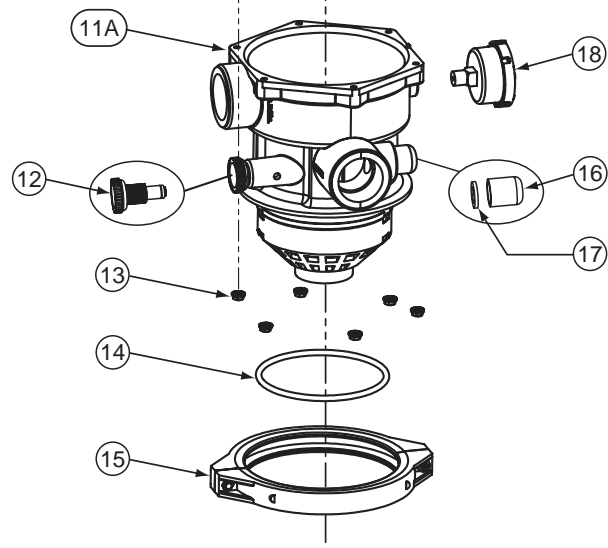
ARTICULO	PARTE NO.	DESCRIPCION
1	272520	MANILLA
2	272405	TORNILLO - MANILLA
3	272505	ARANDELA - 1.875" PLASTICO
4	270085	PARTE SUPERIOR DE LA VALVULA - CON ETIQUETA
5	272511	ANILLO O - .75" X 1" X 1/8"
6	272535	RESORTE
7	272512	DESVIADOR CON EMPAQUETADURA
8	354053	ANILLO O - 3/16" X 5-5/8" DIA. INT.
9	354541	TORNILLO - AUTORROSCANTE 10-24 X 1.5"
10	272555	ARANDELA - 9/16" ACERO INOXIDABLE
11A	272530	CUERPO DE LA VALVULA CON DIFUSOR - ESTILO ABRAZADERA
11B	272538	CUERPO DE LA VALVULA CON DIFUSOR - ESTILO ROSCADO
12	273512	PURGADOR DE AIRE CON ANILLO O
13	272554	TUERCA - Nº 10-24 REBORDE SERRADO - ACERO INOXIDABLE
14	272541	ANILLO O - 4.60" x 3/16" DIA. INT.
15	152165	ABRAZADERA MONTAJE
16	272550	TUBO INDICADOR CON PROTECTOR DE VACIO
17	271106	EMPAQUEDURA - TUBO INDICADOR
18	190059	MEDIDOR DE PRESION
19	272531	HiFlow (1½") - CONJUNTO DE LA PARTE SUPERIOR DE LA VALVULA

**NOTA:**

- EL CONJUNTO DE LA PARTE SUPERIOR DE LA VALVULA PARTE NUMERO 272531 CONSISTE DE LOS ARTICULOS 1 AL 8 Y LAS INSTRUCCIONES DE LA VALVULA 272517.
- LAS VALVULAS FABRICADAS ANTES DEL 1o. DE MARZO DE 1993 NO TIENEN EL ARTICULO 16 TUBO INDICADOR O ARTICULO 17 EMPAQUEDURA TUBO INDICADOR.
- LAS VALVULAS ESTILO ABRAZADERA FABRICADAS ANTES DEL 1o. DE MARZO DE 1993 TIENEN UN PURGADOR DE AIRE DISTINTO CON LA PARTE DEL ANILLO O, Nº. 272515. ESTA PARTE NO ES INTERCAMBIABLE CON LA PARTE Nº. 273512.  
LAS VALVULAS ROSCADAS FABRICADAS ANTES DEL 1o. DE MARZO DE 1993 NO CUENTAN CON EL PURGADOR DE AIRE CON ANILLO O.
- ARTICULO 8 SE USA EN LAS VALVULAS FABRICADAS DESPUES DEL 1o. DE MAYO DE 1992, REEMPLAZA ARTICULO Nº. 272401 - ARANDELA Y ARTICULO Nº. 272400 - RESORTE.



**VALVULA DE ESTILO DE  
ROSCA TRAPEZOIDAL DE 6"**



**VALVULA ESTILO  
DE ABRAZADERA**

**NOTES – ANNOTE – NOTAS**

**SAVE THESE INSTRUCTIONS  
VEUILLEZ CONCERVER CE GUIDE D'INSTRUCTION  
CONSERVE ESTAS INSTRUCCIONES**

