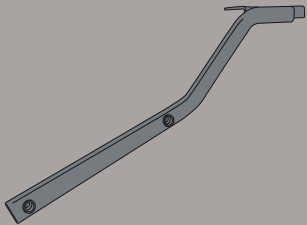
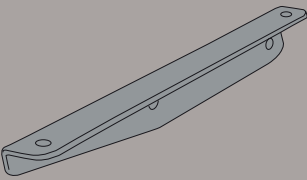




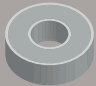


2115FZ - KZ2115

MONORACK SPECIFICO - SPECIFIC MONORACK - MONORACK SPECIFIQUE - SPEZIFISCHES MONORACK - MONORACK ESPECÍFICO - MONORACK ESPECÍFICA

YAMAHA MT-09 (2013)

YAMAHA XSR 900 (2016)

N°	Descrizione	Caratteristiche	Codice	Quantità	
1	Supporto - Support - Support Halterung - Soporte - Apoio	-	2115FZDXS 2115FZSXS	2 (Dx;Sx)	
2	Supporto - Support - Support Halterung - Soporte - Apoio	-	GL2544	2 (Dx;Sx)	
3	Vite - Screw Vis - Schraube Tornillo - Parafuso	TECF M8x30	830TECF	4	
4	Vite - Screw Vis - Schraube Tornillo - Parafuso	TCEI M8x25	825TCE	4	
5	Dado - Bolt - Ecrou Mutter - Tuerca - Porca	Auto Bloccante Flangiato M8	8DADIAFLN	4	
6	Coprivite - Screw Cap Cache Vis - Stopsschraube Tapa Tornillo - Boné Parafuso	Ø8	Z801	4	
7	Distanziale - Spacer Entretoise - Distanzstueck Distanciador - Espaçador	Ø18x12 Foro 8.5mm	C18L12F8,5T	4	
8	Particolari Inclusi Nel Kit Viteria Della Piastra Components Included In The Fitting Kit Of The Plate Pièces Incluses Dans Le Kit De Vis De La Platine Die Einzelnen Teile Sind Bei Montagekit Der Platte Enthalten Despieces Incluidos En El Kit De Anclajes De La Parrilla Explodiu Incluído No Kit As Âncoras Da Grelha	-	-	-	-

2115FZ - KZ2115

MONORACK SPECIFICO - SPECIFIC MONORACK - MONORACK SPECIFIQUE - SPEZIFISCHES MONORACK - MONORACK ESPECÍFICO - MONORACK ESPECÍFICA

YAMAHA MT-09 (2013)

YAMAHA XSR 900 (2016)

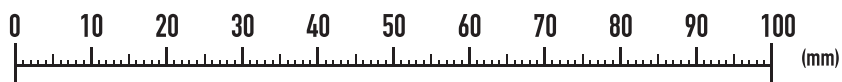
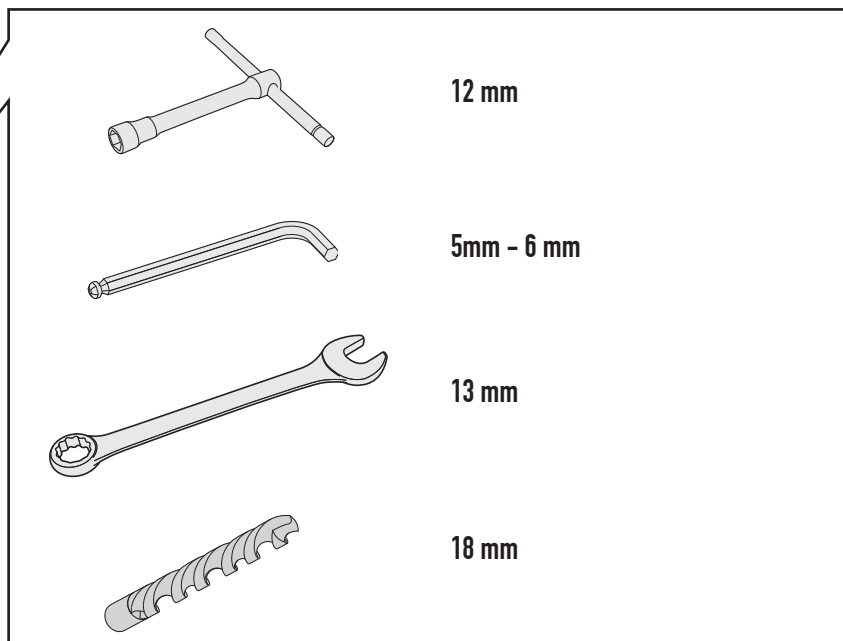
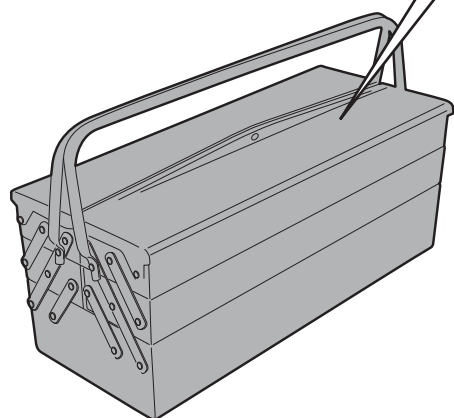
ATTENZIONE: PESO MASSIMO SOPPORTABILE 6Kg.

WARNING: MAX. LOADING 6Kg.(13lbs)

ATTENTION: CHARGE MAXIMALE 6Kg.

ACHTUNG: MAXIMALE BELASTUNG 6Kg.

¡ATENCIÓN!: CARGA MÁXIMA AUTORIZADA 6Kg.



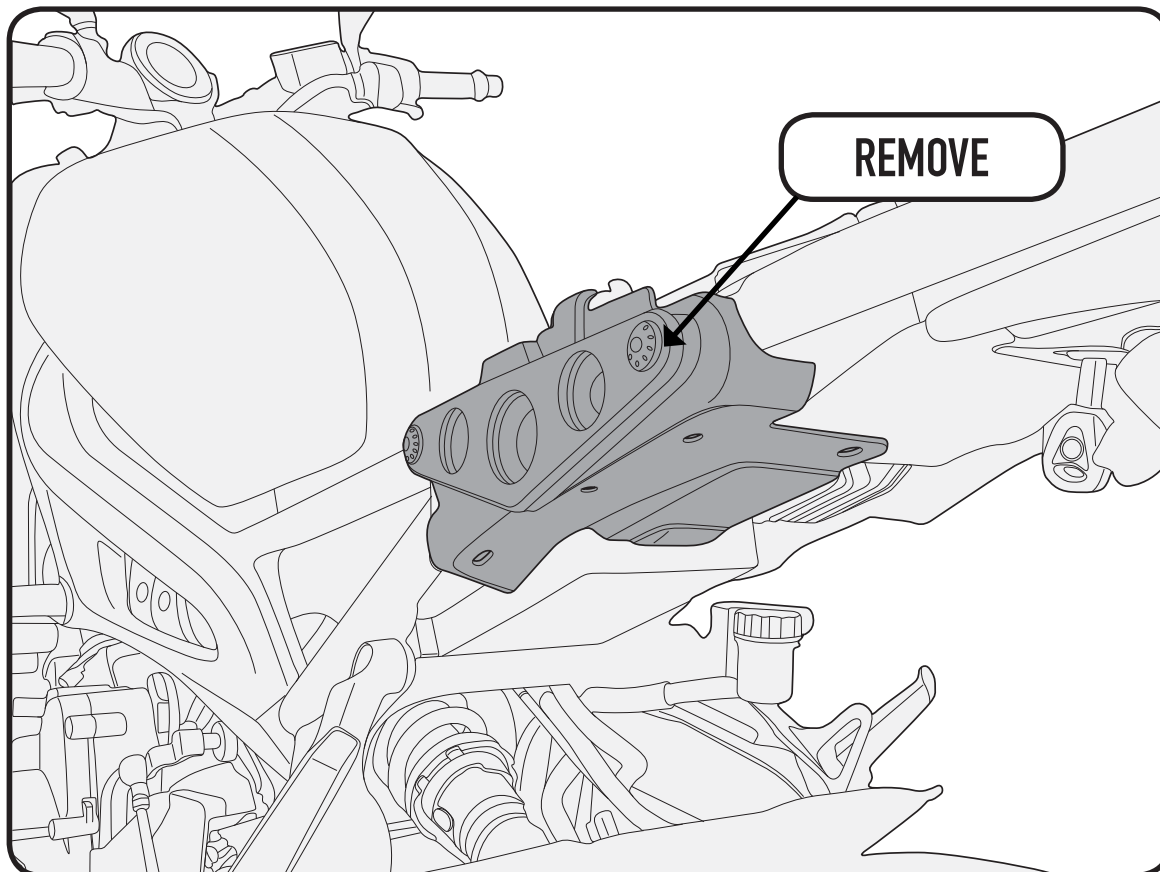
2115FZ - KZ2115

MONORACK SPECIFICO - SPECIFIC MONORACK - MONORACK SPECIFIQUE - SPEZIFISCHES MONORACK - MONORACK ESPECÍFICO - MONORACK ESPECÍFICA

YAMAHA MT-09 (2013)

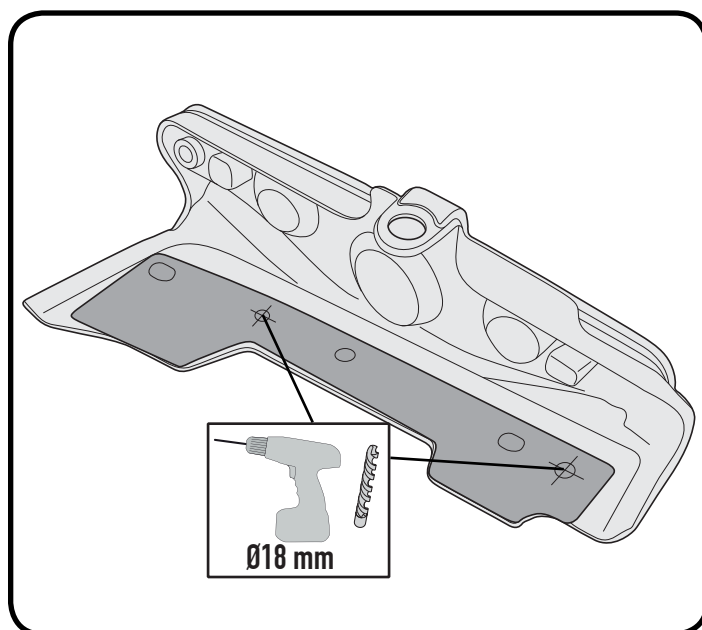
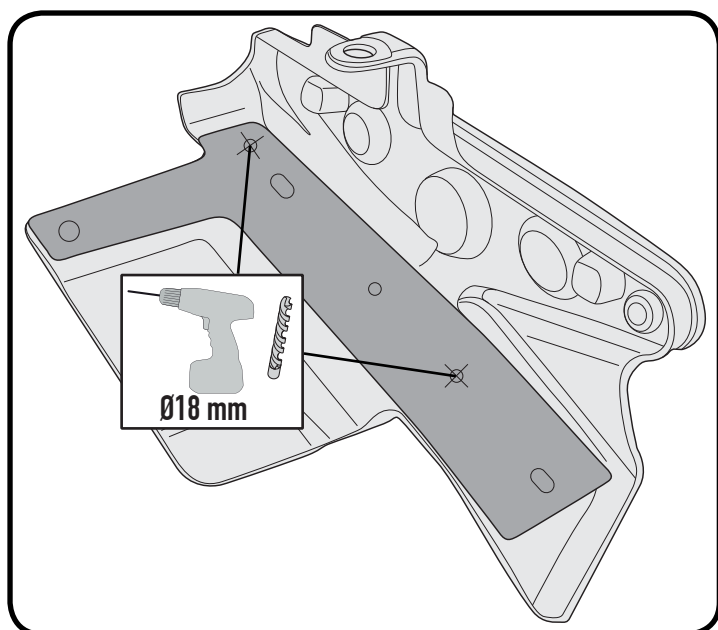
YAMAHA XSR 900 (2016)

YAMAHA XSR 900



LEFT SIDE

RIGHT SIDE



2115FZ - KZ2115

MONORACK SPECIFICO - SPECIFIC MONORACK - MONORACK SPECIFIQUE - SPEZIFISCHES MONORACK - MONORACK ESPECÍFICO - MONORACK ESPECÍFICA

YAMAHA MT-09 (2013)

YAMAHA XSR 900 (2016)

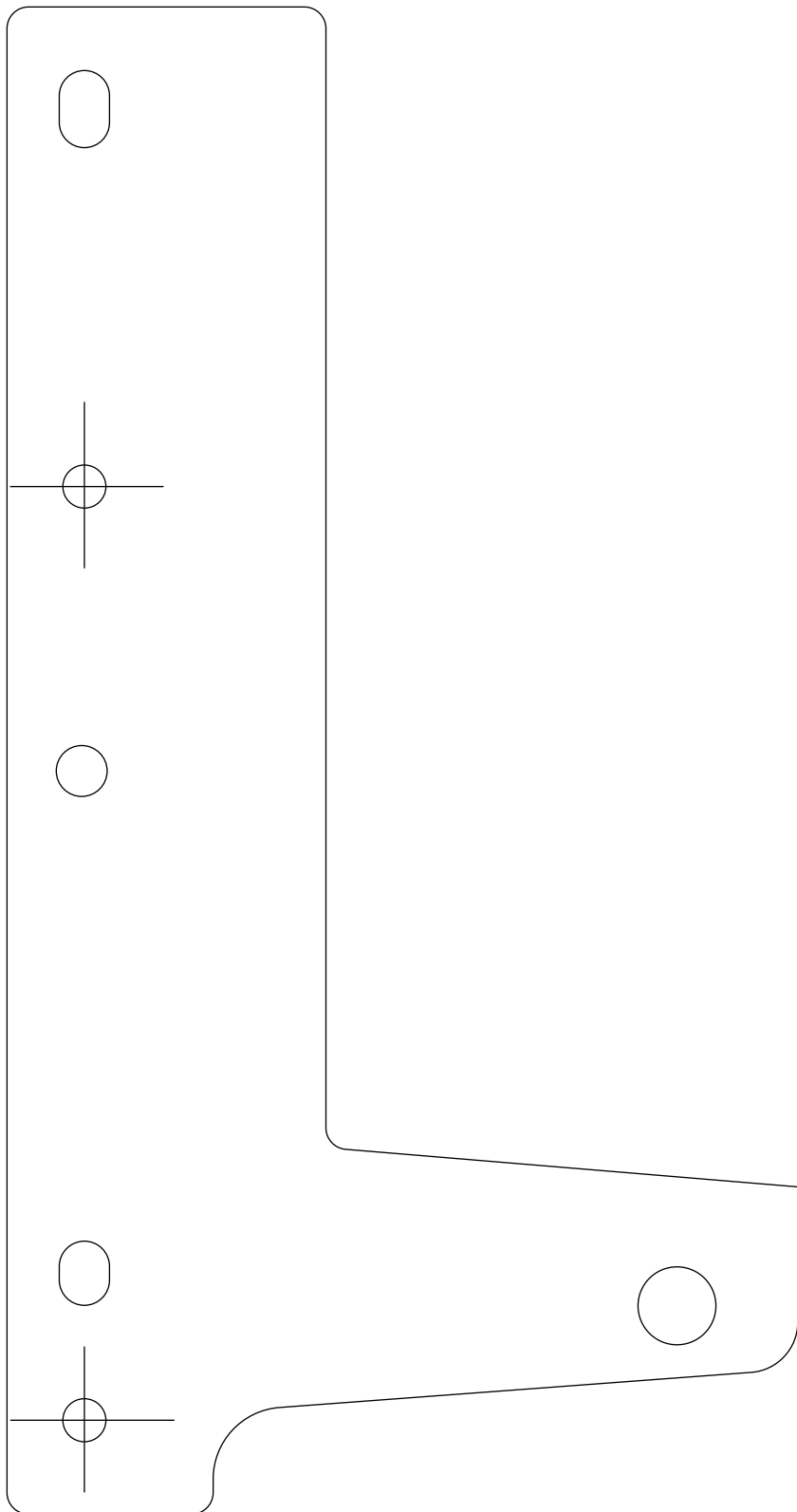
2115FZ - KZ2115

MONORACK SPECIFICO - SPECIFIC MONORACK - MONORACK SPECIFIQUE - SPEZIFISCHES MONORACK - MONORACK ESPECÍFICO - MONORACK ESPECÍFICA

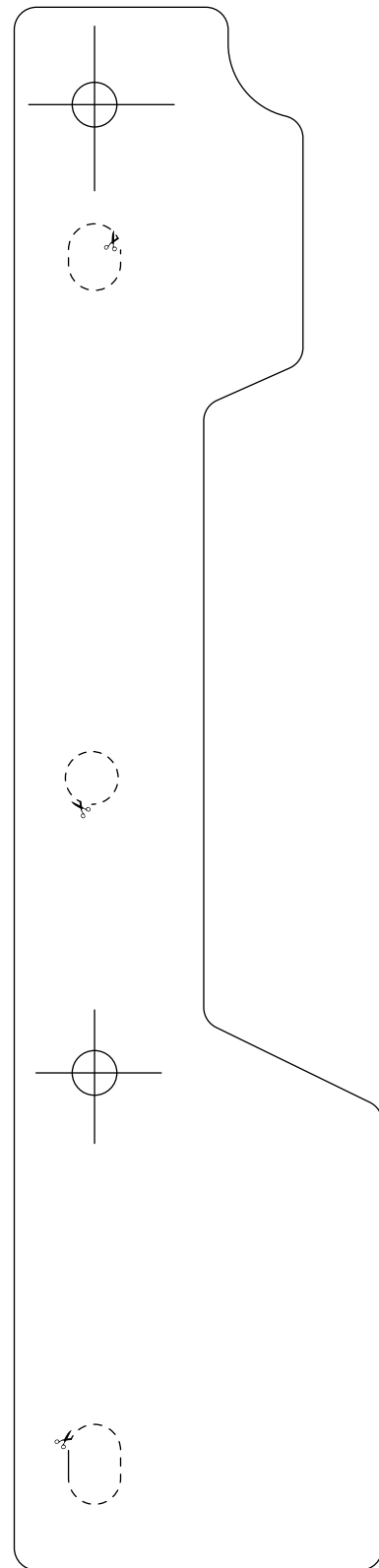
YAMAHA MT-09 (2013)

YAMAHA XSR 900 (2016)

LEFT SIDE



RIGHT SIDE



2115FZ - KZ2115

MONORACK SPECIFICO - SPECIFIC MONORACK - MONORACK SPECIFIQUE - SPEZIFISCHES MONORACK - MONORACK ESPECÍFICO - MONORACK ESPECÍFICA

YAMAHA MT-09 (2013)

YAMAHA XSR 900 (2016)

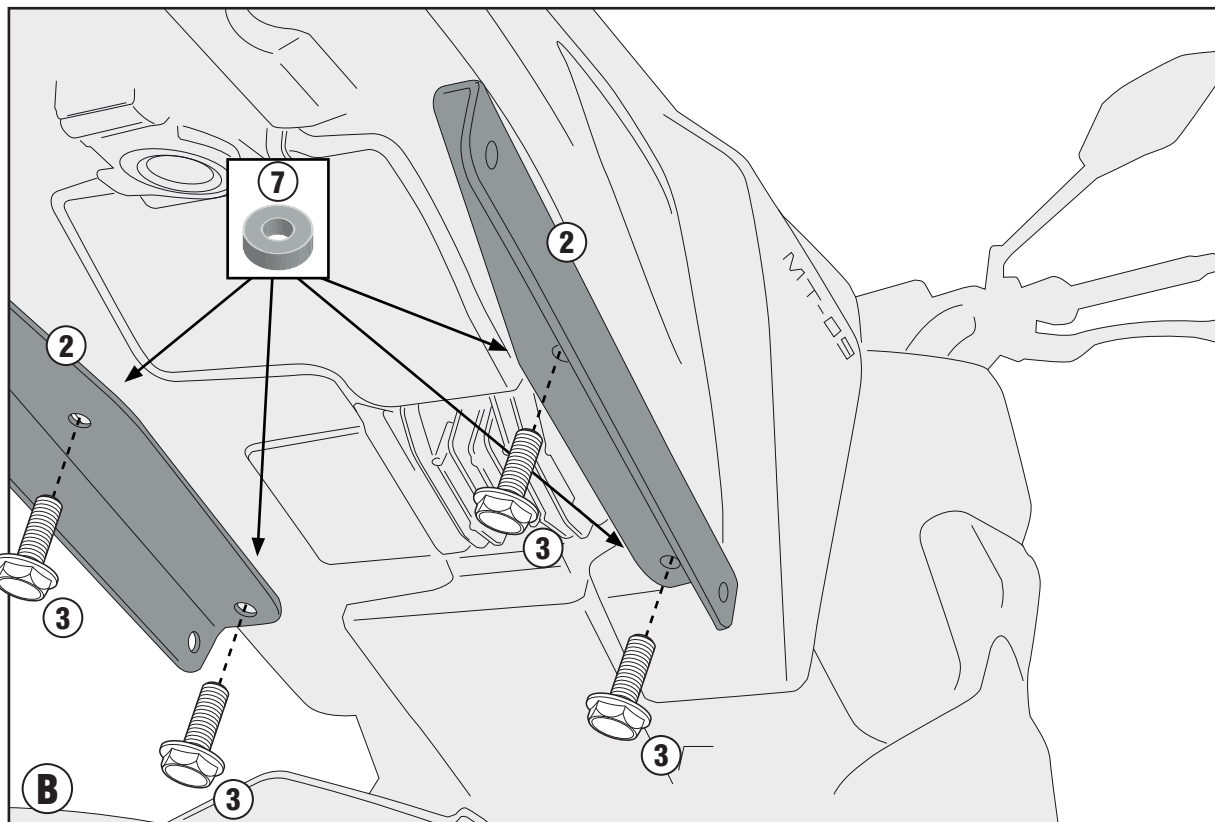
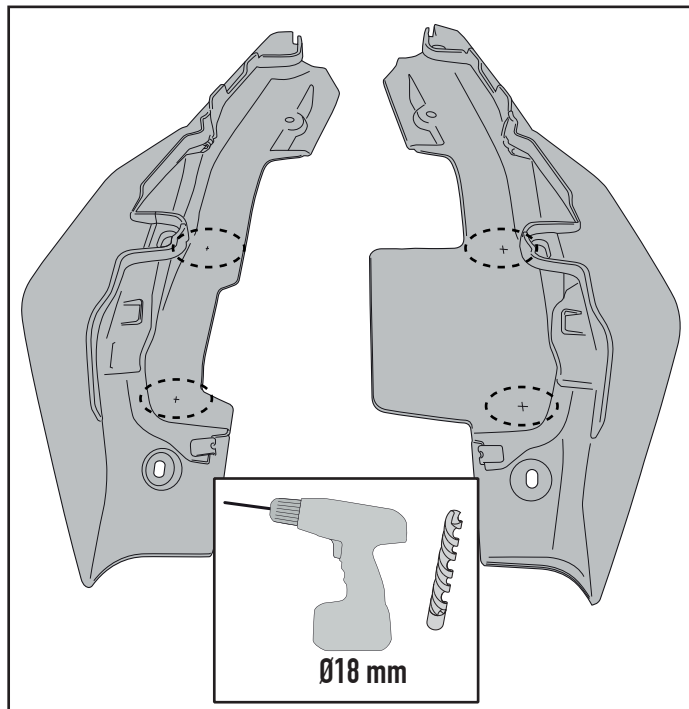
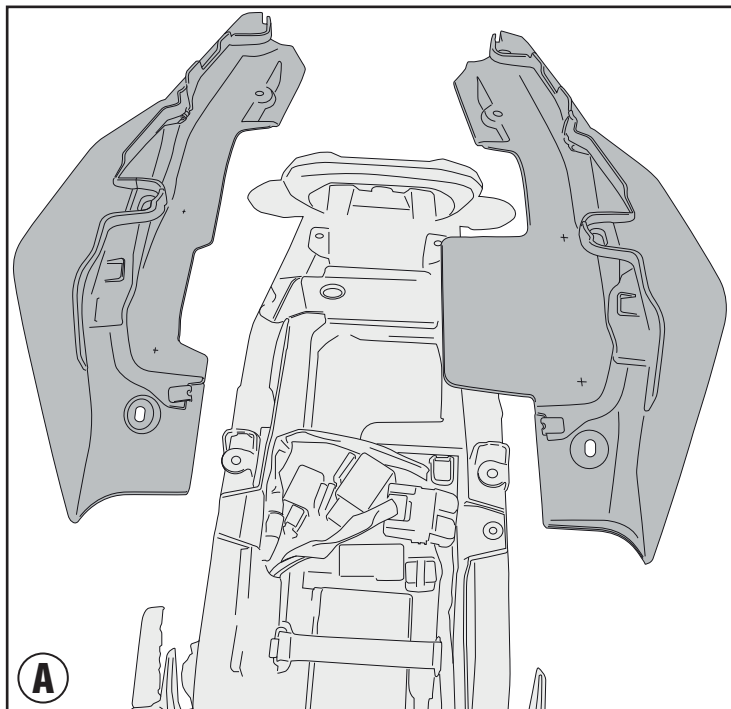
2115FZ - KZ2115

MONORACK SPECIFICO - SPECIFIC MONORACK - MONORACK SPECIFIQUE - SPEZIFISCHES MONORACK - MONORACK ESPECÍFICO - MONORACK ESPECÍFICA

YAMAHA MT-09 (2013)

YAMAHA XSR 900 (2016)

YAMAHA MT-09



2115FZ - KZ2115

MONORACK SPECIFICO - SPECIFIC MONORACK - MONORACK SPECIFIQUE - SPEZIFISCHES MONORACK - MONORACK ESPECÍFICO - MONORACK ESPECÍFICA

YAMAHA MT-09 (2013)

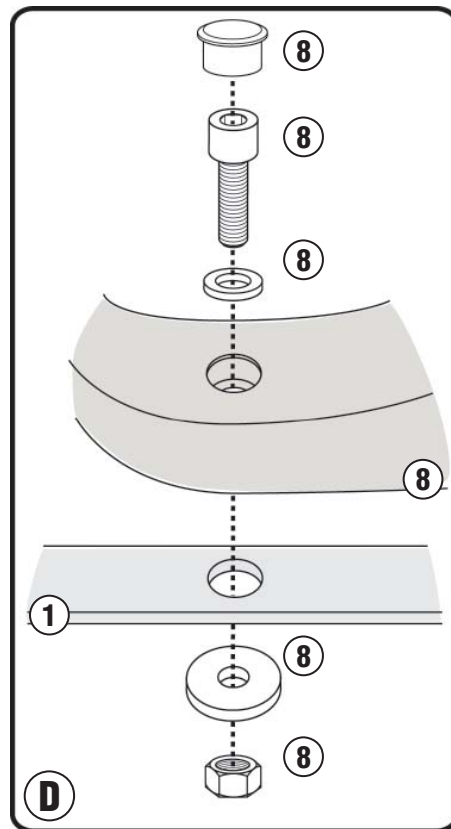
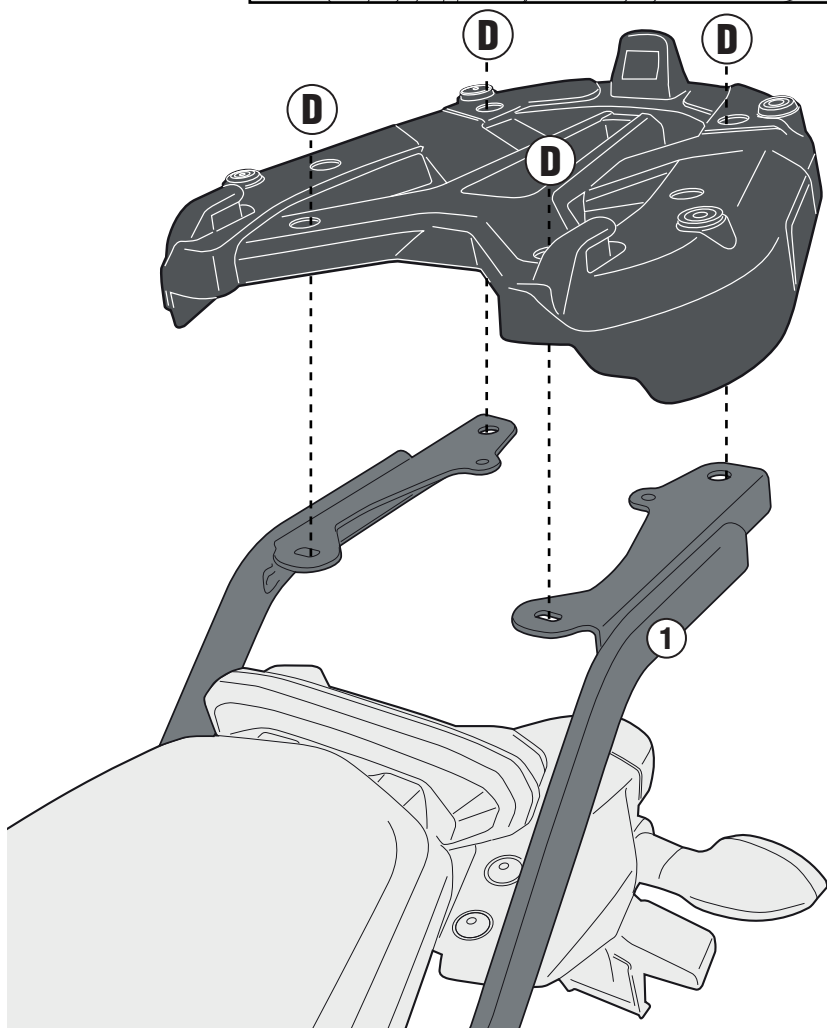
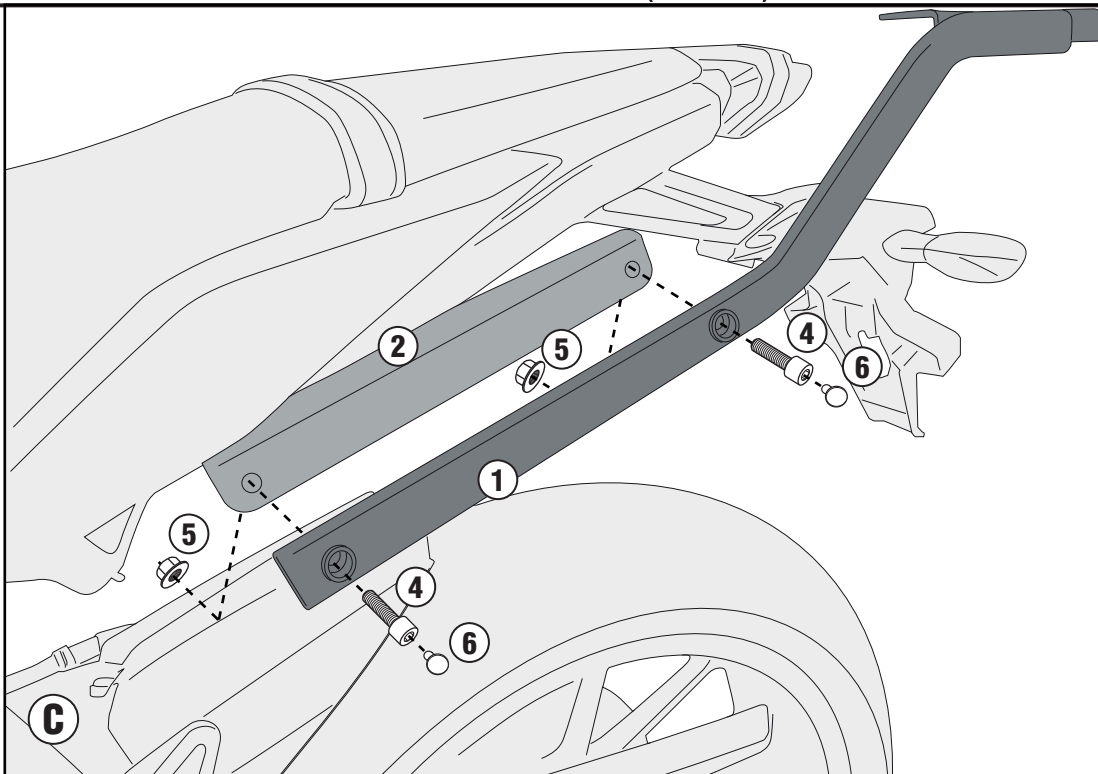
YAMAHA XSR 900 (2016)

2115FZ - KZ2115

MONORACK SPECIFICO - SPECIFIC MONORACK - MONORACK SPECIFIQUE - SPEZIFISCHES MONORACK - MONORACK ESPECÍFICO - MONORACK ESPECÍFICA

YAMAHA MT-09 (2013)

YAMAHA XSR 900 (2016)



2115FZ - KZ2115

MONORACK SPECIFICO - SPECIFIC MONORACK - MONORACK SPECIFIQUE - SPEZIFISCHES MONORACK - MONORACK ESPECÍFICO - MONORACK ESPECÍFICA

YAMAHA MT-09 (2013)

YAMAHA XSR 900 (2016)
