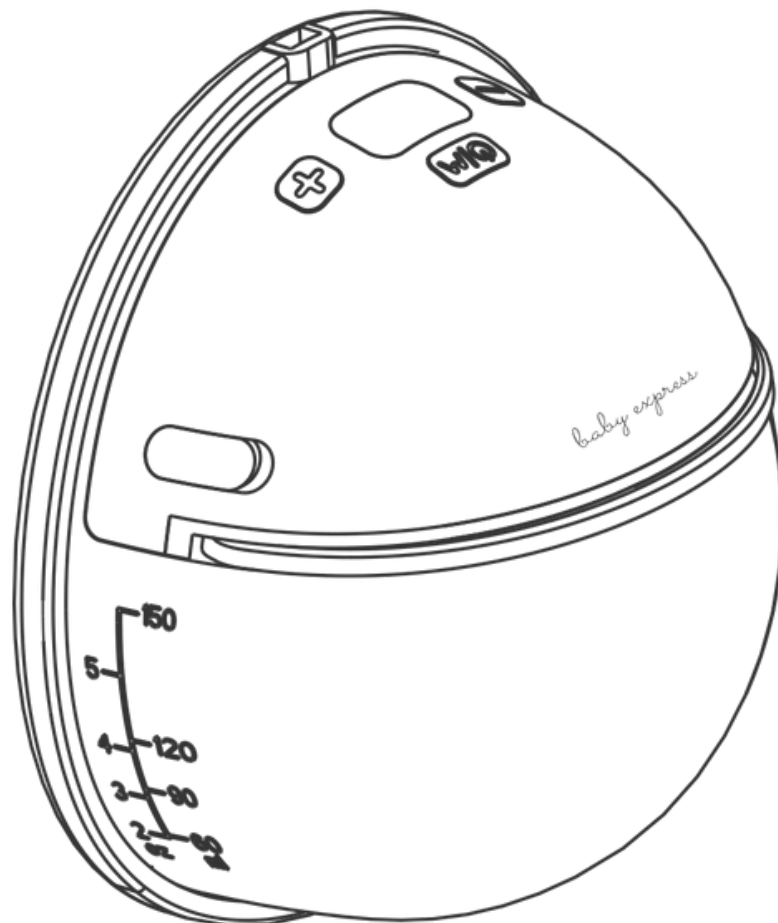


User's Guide

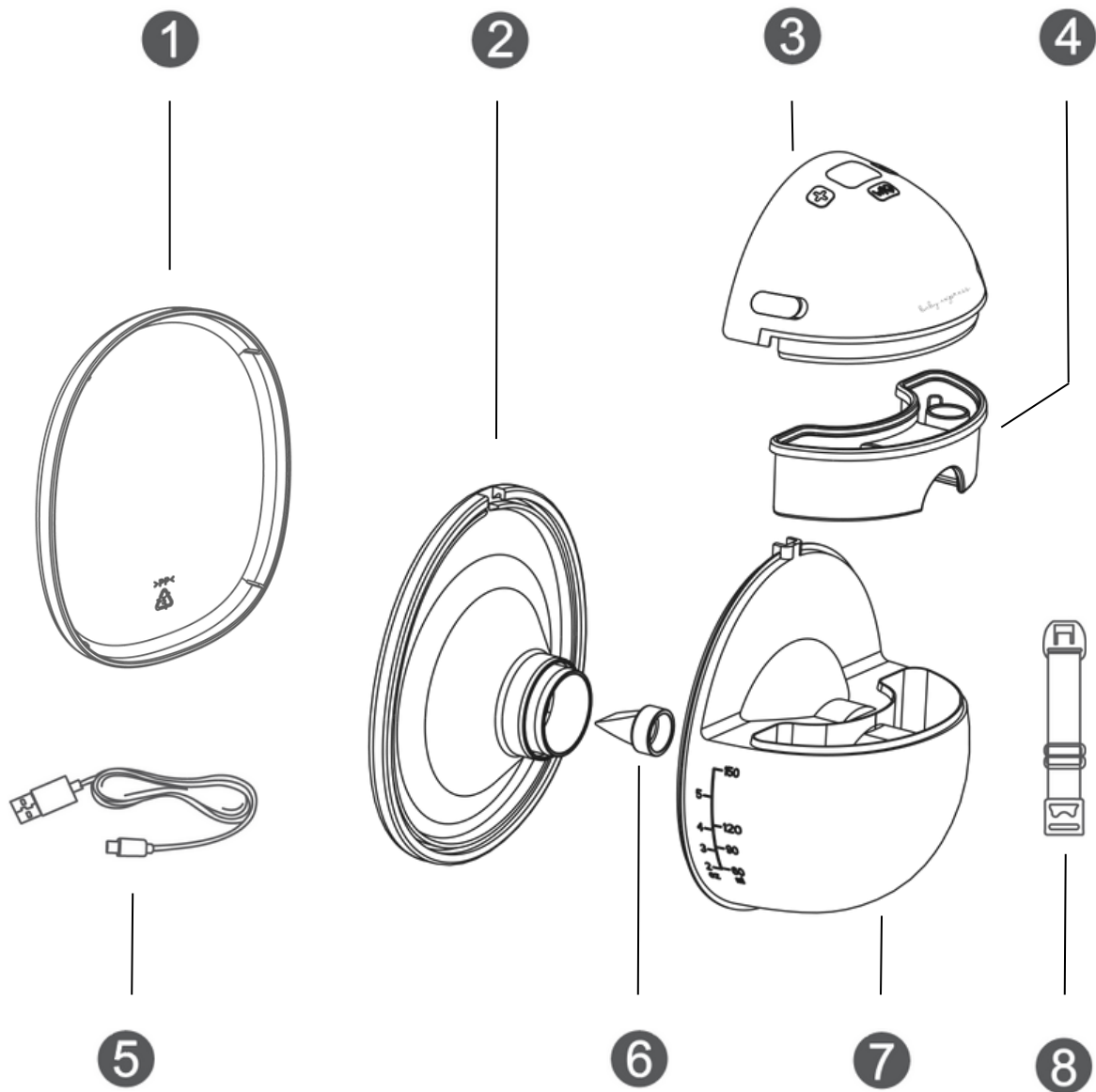
be nude pro **Wearable Breast Pump**



Please read this user's guide carefully before using

Description of Package Contents

Please check the quantity of the content before use. If there is any missing part, please contact the seller



1 Flange Cover

3 Pump Motor

5 Charging Cable

7 Collection Cup

2 Silicone Flange 24mm
(Silicone Flange 27mm sold separately)

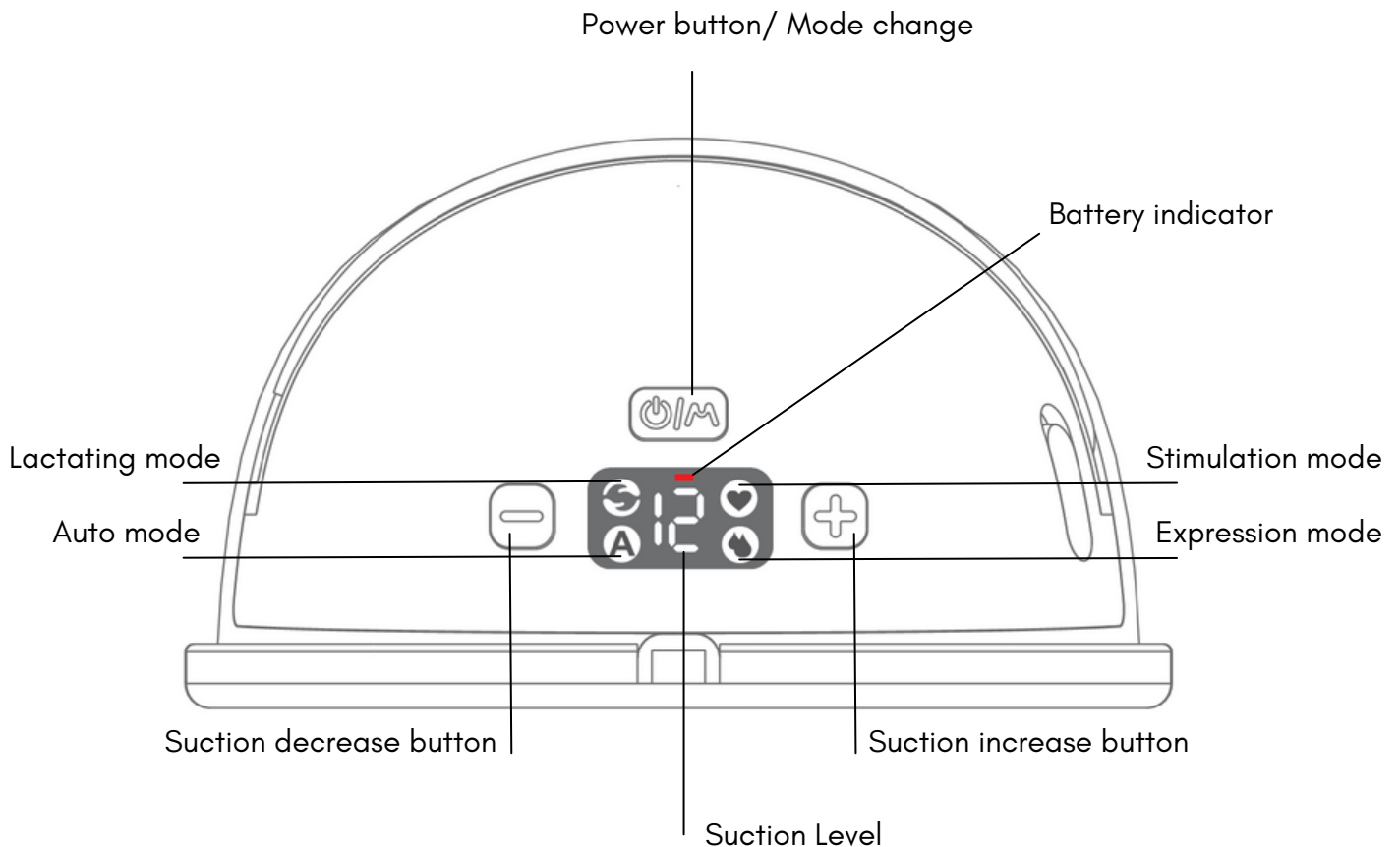
4 Silicone Diaphragm

6 Silicone Valve

8 Bra Extender

Note : Pump motor is not water proof. Do not wash with water or have it come in contact with any liquid.

Operation Panel



- **Power button / Mode change** : Press and hold to on / off, short press to change mode
- **Stimulation / Expression mode** : 2 essential modes for pumping
- **Lactating mode** : Combination of 3 short and 1 long suction
- **Auto mode** : Combination of 5 short and 10 long suction
- **Suction increase/reduce button** : increase/reduce suction level (total 12 levels per mode)
- **Suction level** : Indicates the level of suction
- **Battery indicator** : Red light when low battery (<20 mins), flashing red light when battery flat, green light when fully charged

Note

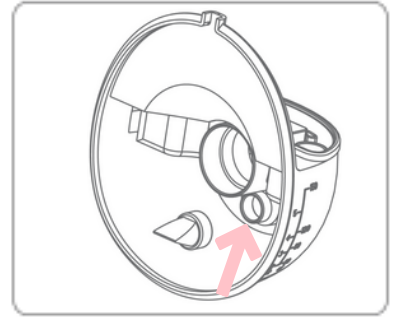
The appliance will turn off automatically after 20mins of operation

Full charge takes about 2.5 hours. Avoid overcharging.

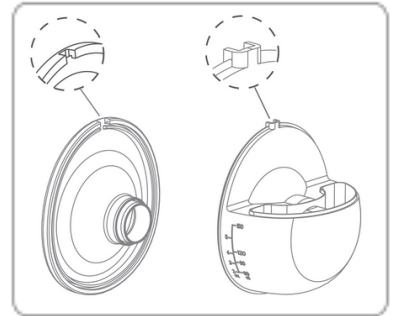
Power adaptor excluded. Compatible with Output 5V 1A .

Assembly Sequence

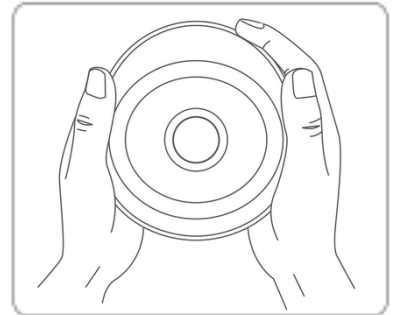
Put the silicone valve into the collection cup.



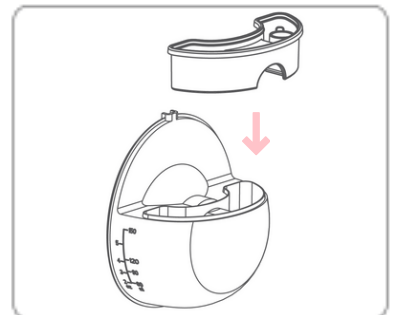
Fit the silicone flange onto the collection cup and ensure it is properly sealed. Align top opening.



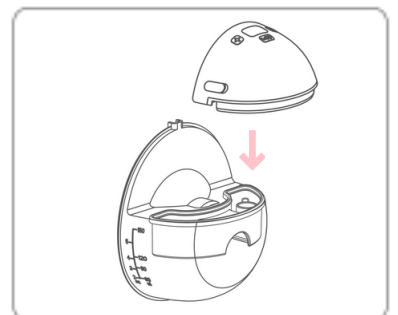
Ensure flange is properly closed along all sides.



Insert the diaphragm into the collection cup. Press it down to ensure it sits in properly.



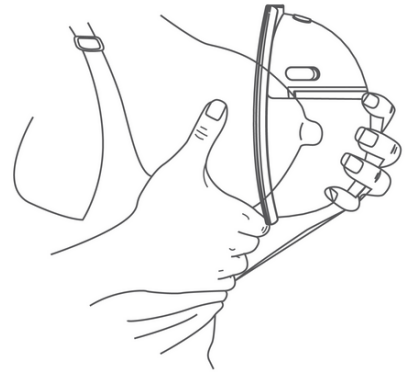
Sit the pump motor onto the collection cup.



Wearing the pump

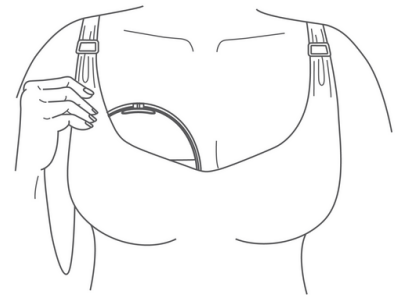
Put the assembled pump firmly onto your breast. Ensure that the nipple is aligned in the centre. Keep the pump upright at all times.

Tip: Use one hand to hold your breast while the other to put the pump on.



Use the bra extender with your nursing bra to fit the pump. Ensure that the pump sits firmly on your breast.

Tip: Use the bra extender to prevent damaging your bra by over stretching it.



Cleaning

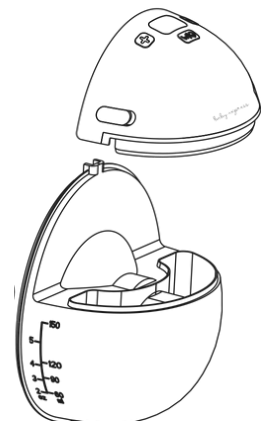
Breast pump parts are recommended to wash, sterilise and dry before and after every use.

Take apart all accessories when cleaning and sterilising. Allow accessories to cool for 20 mins before assembling to avoid damage.

Wipe motor, especially the bottom with damp cloth.

When cleaning the silicone parts, please be gentle. If damaged, it will affect the suction and function of the breast pump.

Remove motor to pour out milk, to prevent liquid entering motor.



App Pairing

Download and install app on phone.

Turn on bluetooth and allow app usage on phone and launch app.

Inside app, select 'Device' (bottom left icon), click '+' to search/add device.

Turn breast pump motor on to activate pairing mode.

Select 'breast pump' on phone screen to connect.

Breast pump and app must be within 10m to stay connected via bluetooth.

Phone needs to allow 3rd party app and location service.

User with work profile may have limited to no access.



Note

Avoid over pumping to prevent breast/nipple injuries. Please seek medical advice if breast becomes painful because of using the breast pump.

To have a smooth pumping session, please set the mode and suction level according to your personal preference. You may use either one or both (stimulation/expression) modes, depending on individual.

Turn off the power before removing the pump from your breast.

All function of this product are described in the user's guide.

Always check the breast pumps and components for wear and damage before use. Replace immediately if damaged. Regular replacement is required due to wear and tear.

Breast pump parts are recommended to be washed and sterilised before and after every use. Refrigeration between pump is highly not recommended.

Do not use this product for other intentions not indicated in this guide.

Ensure the opening on the silicone flange is aligned on top to prevent leaking.

