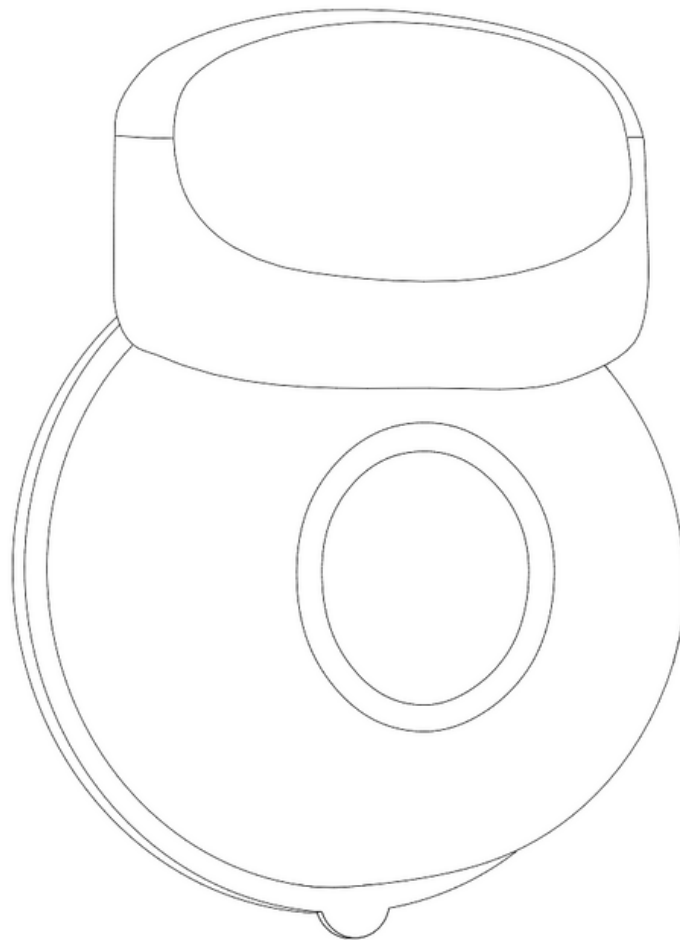


# User's Guide

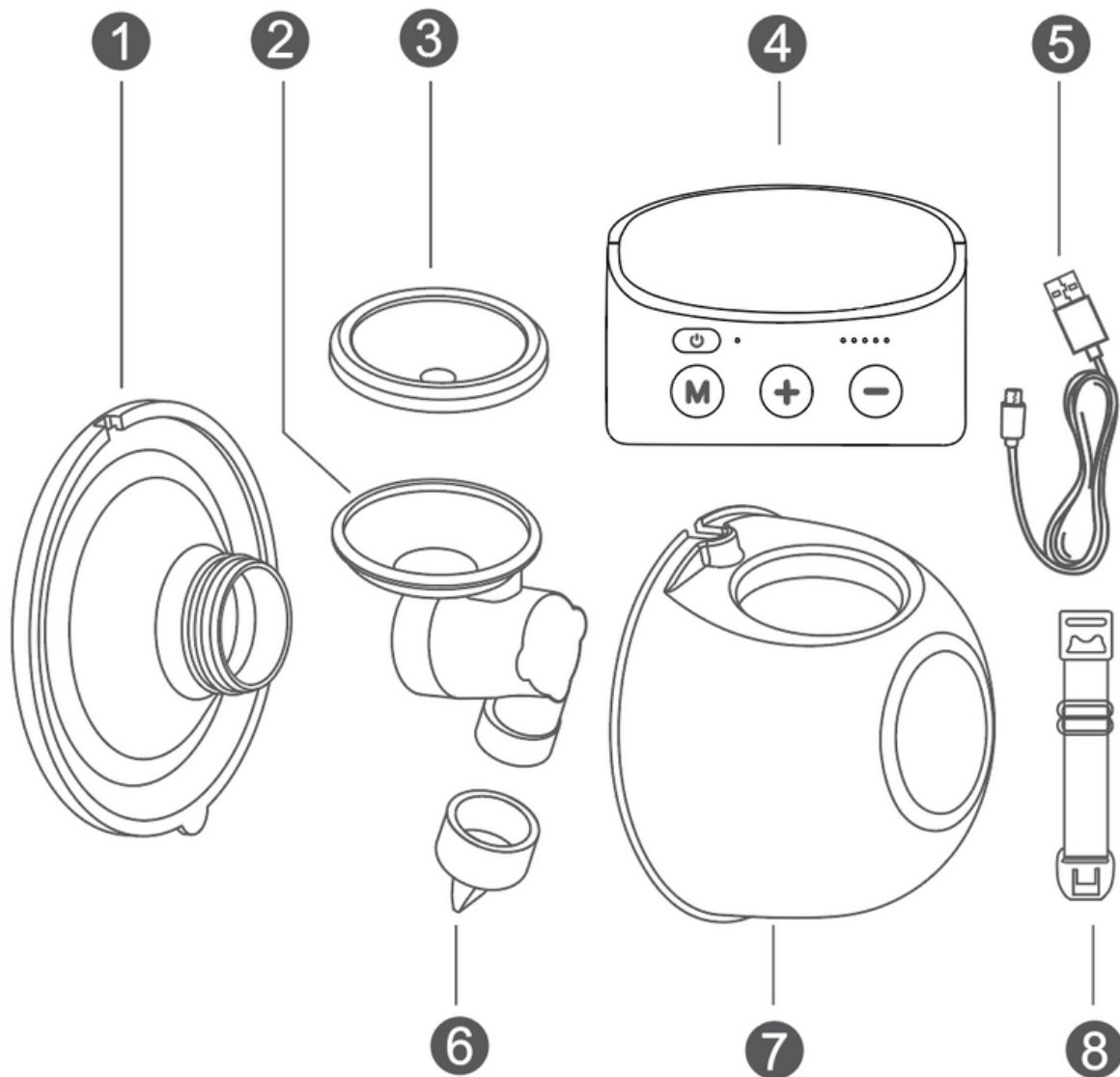
*be free* **Wearable Breast Pump**



Please read this user's guide carefully before using

# Description of Package Contents

Please check the quantity of the content before use. If there is any missing part, please contact the seller



*Free silicone ring (under motor) x2*

**1** Silicone Flange x2  
(24mm and 27mm)

**3** Diaphragm

**5** USB Cable

**7** Collection Cup

**2** Connector

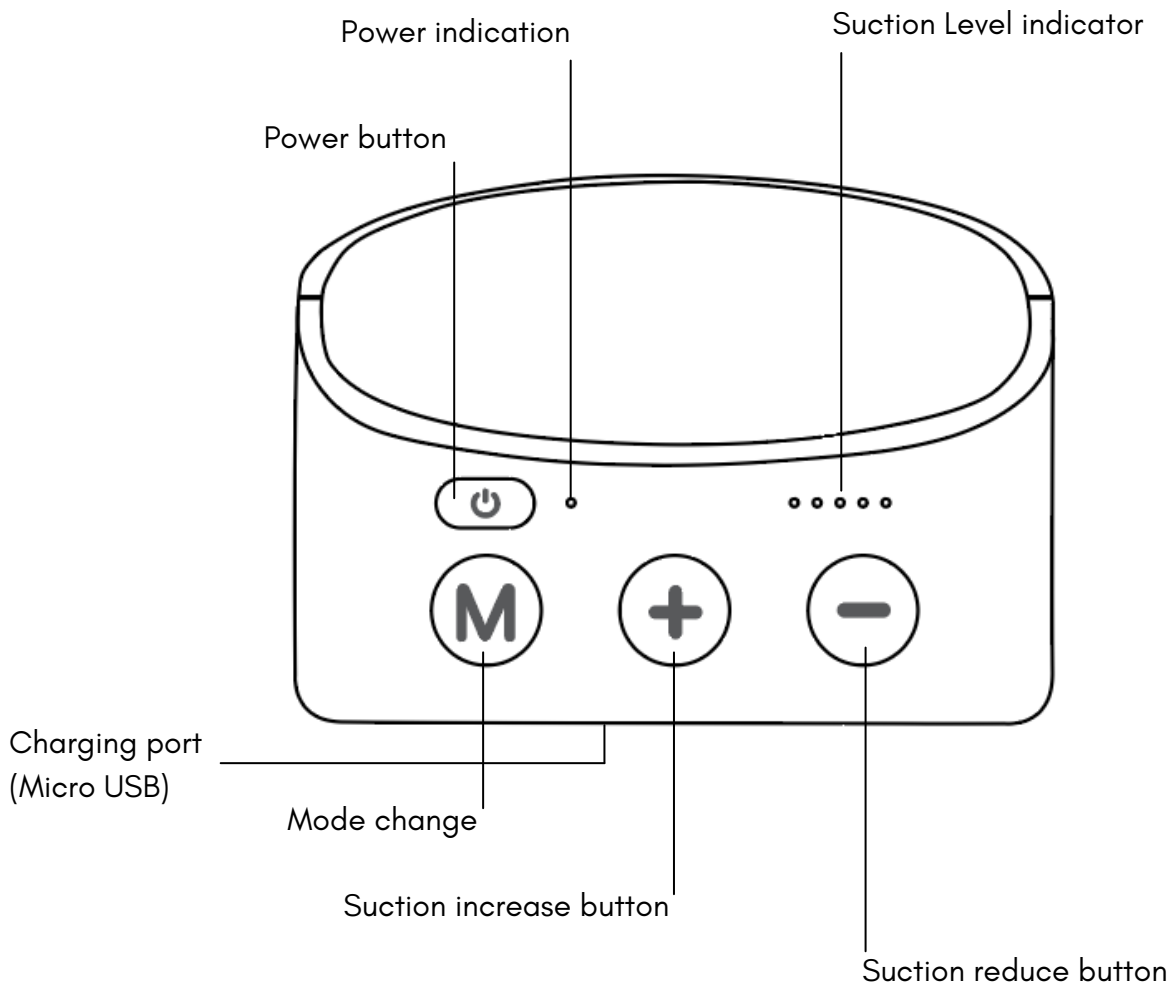
**4** Pump motor

**6** Silicone valve x2

**8** Bra Extender

*Note : Pump motor is not water proof. Do not wash with water or have it come in contact with any liquid.*

# Operation Panel



- **Power button** : Press to on / off
- **Power indication** : Green light indicates power on, when plugged in, battery fully charged  
Red light indicates low battery (left about 20mins pump time)
- **Mode change** : Blinking 'suction level indicator'; stimulation mode. Non-blinking 'suction level indicator'; expression mode
- **Suction increase/reduce button** : increase/reduce suction level (total 5 levels)

## Note

*The appliance will turn off automatically after 20mins of operation*

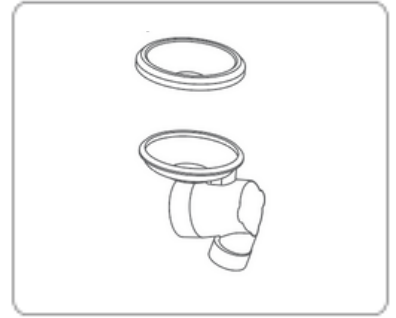
*The appliance comes with a memory mode and will start from last used mode/suction level*

*Full charge takes about 2.5 hours. Avoid over charging.*

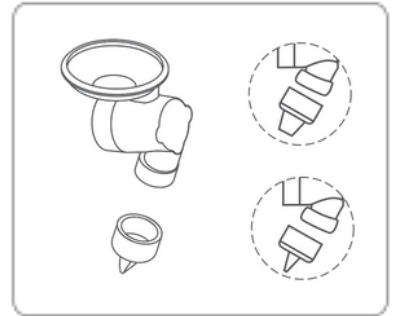
*Power adaptor excluded. Compatible with Output 5V 1A .*

# Assembly Sequence

Put the diaphragm on top of the connector.

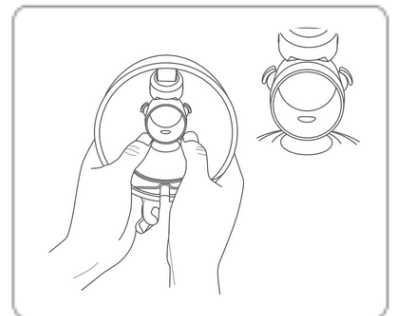


Insert the silicone valve at the bottom of the connector.  
Take note of the direction inserted.

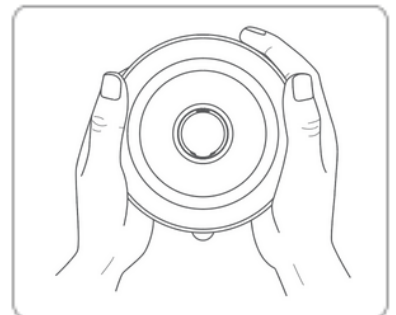


Hold the top of the connector, align the ears on the connector with the collection cup then fit it in.

*Tip: inserting it upside down is easier.*



Fit the silicone flange onto the collection cup and ensure it is properly sealed.



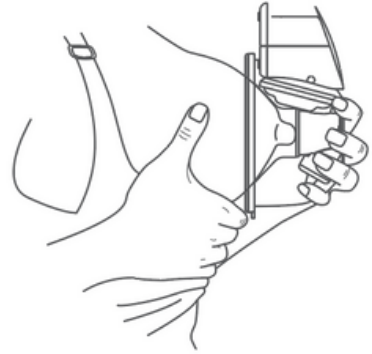
Sit the pump motor onto the collection cup.



# Wearing the pump

Put the assembled pump firmly onto your breast. Ensure that the nipple is aligned in the centre. Keep the pump upright at all times.

*Tip: Pump has a memory function. It will enter the last working mode when turned on.*



Use the bra extender with your nursing bra to fit the pump. Ensure that the pump sits firmly on your breast.

*Tip: Use the bra extender to prevent damaging your bra by over stretching it.*



## Note

*Please avoid over pumping to avoid breast injuries. Please seek medical advice if breast becomes painful because of using the breast pump.*

*To have a smooth milk pumping session, please set the suction level according to your personal preference.*

*Please off the power before stopping use.*

*All function of this product are described in the user's guide.*

*Always check the breast pumps and components for wear and damager before use. Replace if necessary.*

*Breast pump parts are recommended to be washed and sterilised before and after every use.*

*Do not use this product for other intentions not indicated in this guide.*

# Cleaning and milk storage

Before use, please clean and sterilise the accessories. After use, clean the accessories as well, and keep them dry. Please note that motor and power adapter cannot be washed or sterilised.

When cleaning the silicone parts, please be gentle. If damaged, it will affect the suction.

Take apart accessories when cleaning and sterilising. Allow accessories to cool for 20 mins before assembling to avoid damage.

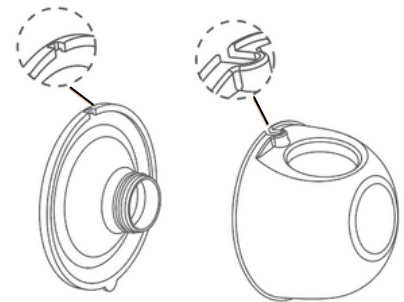
To pour out pumped milk, remove motor to reveal top opening and pour.

*Tip: do not attempt to dismantle the pump or open the flange to pour out the milk*



## Note

*Ensure the opening on the silicone flange is aligned on top to prevent leaking.*



*All of BE Free pump parts can be steamed, boiled and UV sterilised. Unless otherwise indicated. Pump motor, especially the bottom, should be wiped with damp cloth regularly.*