

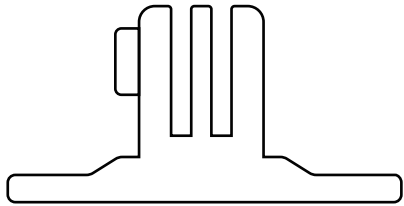


CHIN
MOUNTS

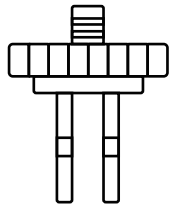


FLEXIBLE ADHESIVE MOUNT

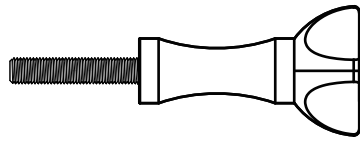
1. WHAT'S INCLUDED



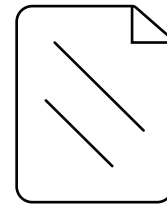
Flexible Adhesive Mount
(with 3M stickers) x1



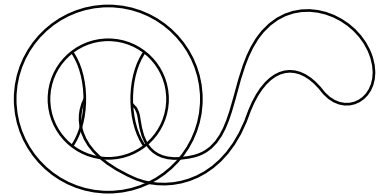
1/4" to 2-prong
Adapter x1



Thumb Screw x1



Cleaning Wipe x1

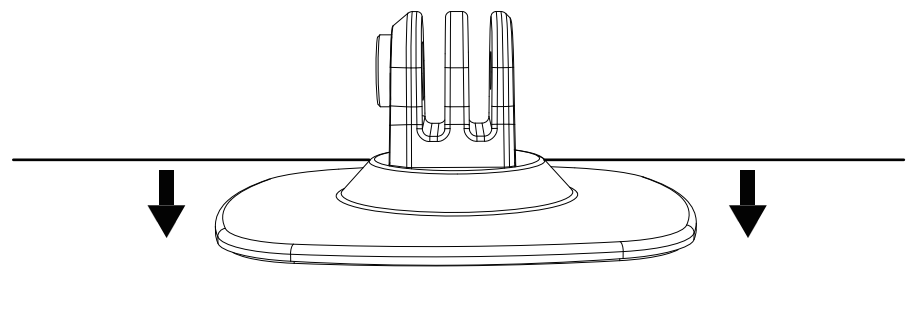
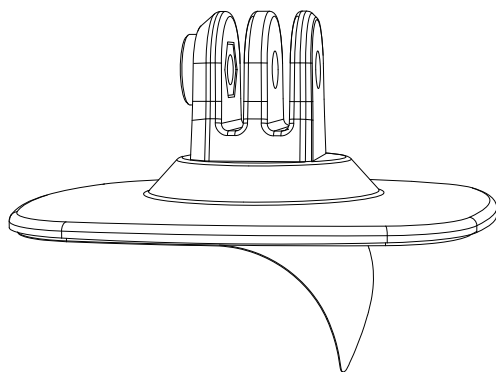


Safety Tether x1

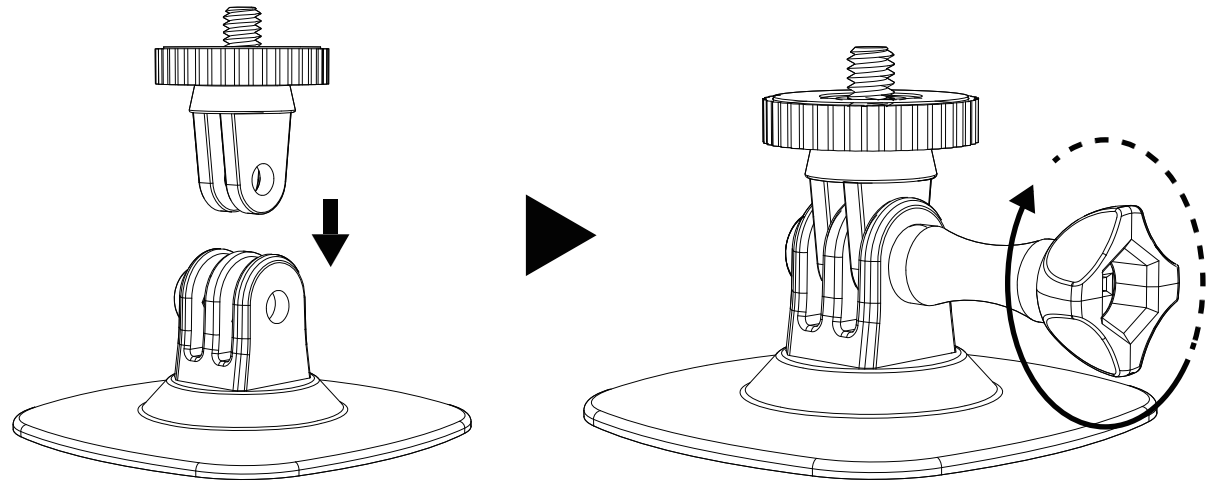
2. INSTRUCTIONS

HOW TO USE FLEXIBLE ADHESIVE MOUNT

Clean the surface with the provided cleaning wipe. When the surface is dry, press and hold for 60 seconds (apply pressure evenly). Wait a minimum of 24 hours before attaching your action camera and using the product.



HOW TO INSTALL 1/4" TO 2-PRONG ADAPTER



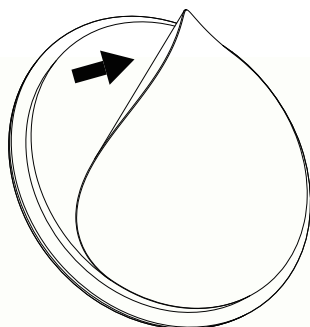
HOW TO USE SAFETY TETHER

Before peeling off the covering for the adhesive, we recommend testing where you want to mount it. Make sure there's enough distance for the string to reach your action camera.

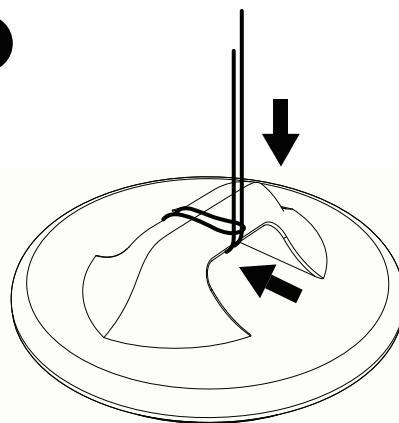
Next, peel off the adhesive cover and apply some heat with a blow dryer or heat gun so the adhesive becomes sticky. Then stick it to the desired mounting location

Once it's secure, loop the tether string through the anchor point and tie it to your action camera housing or thumb screw.

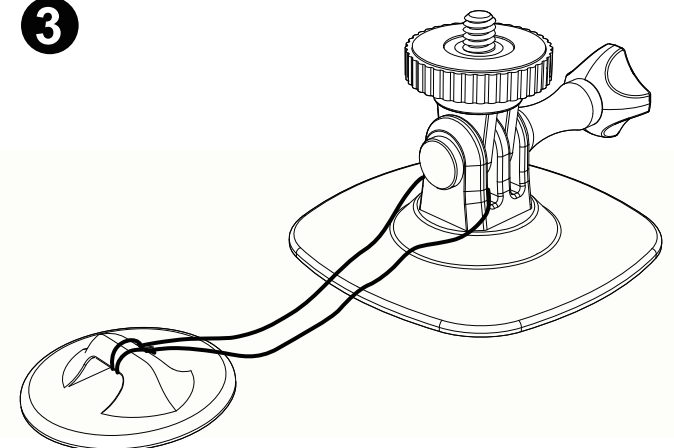
1



2



3



3. WARNINGS

1. Please note the following information regarding the flexible adhesive mount.
 - a. Before adhering to your mounting surface, clean the surface with the provided cleaning wipe. Make sure it is clean, dry, and free of dust and/or debris.
 - b. The adhesive that is attached to the flexible adhesive mount is for one-time use only. **DO NOT RE-USE.**
 - c. To form a strong bond, press and hold for 60 seconds after adhesion. Make sure to apply pressure.
 - d. Wait a MINIMUM of 24 hours before attaching your action camera and using the product.
2. The flexible adhesive mount is designed to be applied to smooth and clean surfaces. Examples include but are not limited to: plastic, painted surfaces, metal, glass, and more.
3. Attaching the flexible adhesive mount to a highly curved surface may negatively impact its performance.
4. The flexible adhesive mount is not waterproof. Be careful when using in environments with water exposure, as the adhesive may lose its effectiveness, compromising the stability of the mount and potentially causing damage to your device.

4. DISCLAIMER

Please carefully read and understand the following disclaimer before using this product. Your use of this product signifies your acknowledgment and acceptance of the terms outlined herein.

1. Assumption of Responsibility: By utilizing this product, you expressly acknowledge and agree that you are solely responsible for your own conduct while using this product and for any consequences that may arise from such use.
2. Intended Use: You agree to use this product only for proper and lawful purposes. Any use outside the intended and recommended applications may result in unforeseen risks and damages for which Chin Mounts Ltd. cannot be held responsible.
3. Limitation of Liability: Chin Mounts Ltd. accepts no liability for any misuse, consequences, damages, injuries, penalties, or other legal responsibilities directly or indirectly incurred by using this product. The user assumes full responsibility for their actions and any outcomes that may arise during the use of this product.

4. Product Inspection: Before each use, it is essential to ensure that the product is in proper working condition. If any damage or irregularity is detected, discontinue use immediately. Continued use of a damaged product may lead to unsafe conditions and increased risk of injury.

By using this product, you agree to abide by these terms and acknowledge that failure to do so may result in injury or damage for which Chin Mounts Ltd. cannot be held liable. If you do not agree with these terms, please refrain from using the product.

5. WARRANTY

Chin Mounts products are guaranteed against manufacturing defects one (1) year from the original date of delivery. Chin Mounts' sole obligation in the event of such defects during this period is to repair or replace the defective part or product with a comparable part or product at Chin Mounts' sole discretion. Except for such repair or replacement, the sale, processing or other handling of this product is without warranty, condition or other liability even though the defect or loss is caused by negligence or other fault. Damage resulting from use, accident, or normal wear and tear is not covered by this or any warranty.



Email: info@chinmounts.com

Web: www.chinmounts.com

© CHIN MOUNTS LTD. All Rights Reserved.

CHIN MOUNTS LTD.

124-1085 E KENT AVE N, VANCOUVER, BC, V5X4V9, CANADA

MADE IN CHINA



DISCOVER MORE AT WWW.CHINMOUNTS.COM