



ActivPanel™ i-Series

INTERACTIVE FLAT PANELS

65" HD, 75" 4K

ActivPanel i-Series is designed to start your digital classroom journey with high-quality, multi-touch flat panels from the world's leading education company. Select from optional display computing, premium sound, and versatile mounting configurations as your classroom needs change over time.

Customizable Interactive Display For Immersive Learning



Simple to Setup with Lower Total Cost of Ownership

No need for calibration and expensive lamp replacements as required with projector-based systems. ActivPanel i-Series features infrared technology with an auto-calibrated, LCD display that maintains a bright image over a long service life.



Designed For Multi-User Interactivity

ActivPanel i-Series is a multi-user, 10-touch surface for collaboration offering touch and pen interactivity.



Classroom Lesson Delivery Software

Deliver interactive, multimedia lessons offline or online using your choice of Promethean's educational software products. Both ClassFlow™ and ActivInspire™ software are free and come as standard with the ActivPanel. To learn more, visit PrometheanWorld.com/Software.



Full HD to 4K Ultra HD Displays
Features crisp details and bright colors

Infrared Technology
Features up to 10 simultaneous touch points

OPS Slot
Select from ActivPanel PC for Android™ or ActivPanel PC for Windows® to add-on display computing

Built-In Sound
Powerful, dual, 2 x 15 W front-facing stereo speakers

Easy Device Connectivity
Accessible ports for HDMI® and USB connectivity



Industry-Leading



4K Ultra HD*



10 Touch Points



Pen and Touch



Anti-Glare Glass



Software Included



Front HDMI and USB Ports



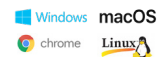
Comprehensive Warranty



Front-Facing Speakers



OS Compatible Devices



Flexible Configurations for the Classroom



Add-on powerful computing and Internet connectivity with the ActivPanel PC for Android for a tablet-like experience or ActivPanel PC for Windows for an all-in-one, large-format Windows experience.



Select from versatile mounting*, including a fixed wall mount, height-adjustable wall mount, height-adjustable mobile stand, and non-adjustable mobile stand.



Enhance your classroom audio with ActivSoundBar that provides deep bass and room-filling sound.

*Based on model and region as applicable

ActivPanel i-Series 2018 SS 12/17 v2.8 EN

ActivPanel i-Series

PRODUCT CODE

VTP-65	ActivPanel i-Series (65" HD)
VTP2-75-4K	ActivPanel i-Series (75" 4K)

Note: Regional SKUs may have additional country code suffix

DISPLAY

Diagonal Size	Available in 65" HD, 75" 4K
Screen Type	TFT LCD (Direct LED Backlight)
Aspect Ratio	16:9
Display Area	65" HD: 1429 x 804 mm (56.2 x 32.6 in) 75" 4K: 1650 x 928 mm (65 x 36.5 in)
Resolution	65" HD (1920 x 1080 px @ 60 Hz) 75" 4K (3840 x 2160 px @ 60 Hz)
Response Time	8 ms
Refresh Rate	60 Hz
Display Colors	1.07 Billion
Contrast Ratio	4000:1
Brightness	350 cd/m ² typical
Glass Hardness	7 Mohs, 9H pencil
Glass Type	Heat-tempered, Anti-Glare
Freeze Screen	Yes
Blank Screen	Yes

CONNECTIVITY

HDMI In	x3
USB Touch	x2
VGA In	x1
VGA Audio In	x1
YPbPr	x1
CVBS	x1
Mic In (3.5 mm)	x1
Headphone	x1
USB 2.0	x2
RS232 Serial	x1
OPS Slot	x1 (with dedicated front USB 2.0 x2)

AUDIO

Speakers	Front-facing stereo speakers
Power	2 x 15 W

POWER

Power Requirements	100V - 240V AC
Power Consumption (Normal)	65" HD: 120W; 75" 4K: <= 300W
Power Consumption (Standby)	<= 0.5 W

ENVIRONMENTAL

Operating Temperature	0°C to 40°C (32°F to 104°F)
Storage Temperature	-15°C to 55°C (-5°F to 131°F)
Operating Humidity	20% to 80% non-condensing humidity
Storage Humidity	20% to 90% non-condensing humidity

INTERACTIVITY

Continuous Touch Points	Up to 10
Gestures and Edge Swipes	Windows® Supported
Touch Technology	Infrared
Touch Resolution	32,768 x 32,768 px
Touch Accuracy	+2 mm
Max Touch Response Time	15 ms
Tracking Rate	65" HD = 3 m/s; 75" 4K = 5 m/s
Scan Rate	65" HD = 6 ms; 75" 4K = 7 ms
Compatibility*	Windows® 7 to 10 OS X® 10.8 to 10.11 macOS® Sierra 10.12.1 or later Linux® Ubuntu 16.04 LTS Chrome OS™

PEN

Pens Included	x1
Pen Type	Battery-Less (not differentiated from touch)
Pen Holder	Pen holder attached to ActivPanel
Pen Tip Diameter	8 mm

PACKED CONTENTS

What's in the Box	ActivPanel i-Series x1, Pen x1, Remote control x1, AAA remote batteries x2, Power cable (3m/9.8ft. quantity is SKU dependent), HDMI cable x1 (3m/9.8 ft.), USB cable x1 (3m/9.8 ft.), Quick install guide x1, ClassFlow and ActivInspire Professional included
-------------------	--

OPTIONAL STANDS & ACCESSORIES

Fixed Wall Mount (Vesa)	Available in all markets
Height-Adjustable Wall Mount	Available in specific markets
Height-Adjustable Mobile Stand	Available in specific markets
Non-Adjustable Mobile Stand	Available in all markets
ActivSoundBar	Add the powerful, high-quality sound bar
ActivPanel PC for Windows	Available in specific markets; Intel® Core™ i5 Dual, 8 GB DDR4 RAM, 256 GB SSD, Wi-Fi® 802.11 AC (2x2), 4K @ 60 Hz; Operating system not pre-installed Optional model available with Windows 10 IoT; Minimum order quantity required for both models
ActivPanel PC for Android	Available in specific markets; Includes Android 6.0 Marshmallow, CPU Realtek RTD1295 Quad Core up to 1.4 GHz, GPU ARM T820, up to 4K @ 60Hz, 2 GB DDR4 RAM, 16 GB Internal Storage

PHYSICAL SPECIFICATIONS

65" HD (Without Mount)	
Product Dimensions	1544 x 939 x 99 mm (61 x 37 x 3.9 in)
Packed Dimensions	1710 x 1350 x 540 mm (67 x 53 x 21 in)
Net Weight	45 kg (99.2 lbs)
Packed Weight	57 kg (126 lbs)
75" 4K (Without Mount)	
Product Dimensions	1768 x 1066 x 114 mm (69.6 x 42 x 4.48 in)
Packed Dimensions	1918 x 1195 x 280 mm (75.5 x 47 x 11 in)
Net Weight	59 kg (130 lbs)
Packed Weight	75.9 kg (167.3 lbs)

*ActivInspire is a desktop application for Windows, Mac, and Linux operating systems.
ClassFlow Desktop is a desktop application for Windows and Mac operating systems.
ClassFlow is a cloud-based application for Chrome, Safari®, and Microsoft Edge/Internet Explorer.

ActivPanel i-Series 2018 SS 12/17 v2.8 EN

Page 3

COMPLIANCE & CERTIFICATION

Regulatory Certification CE, FCC, IC, UL, CUL, CB, RCM

WARRANTY

Standard Warranty Three-Year Warranty (upgrade options available and vary by region). For more information, visit PrometheanWorld.com/ActivCare.

INSTALLATION

The installation of this product should be completed by a qualified installer. Use of components not supplied by Promethean or not meeting minimum specifications may impact performance, safety and warranty. For more information, visit Support. PrometheanWorld.com.

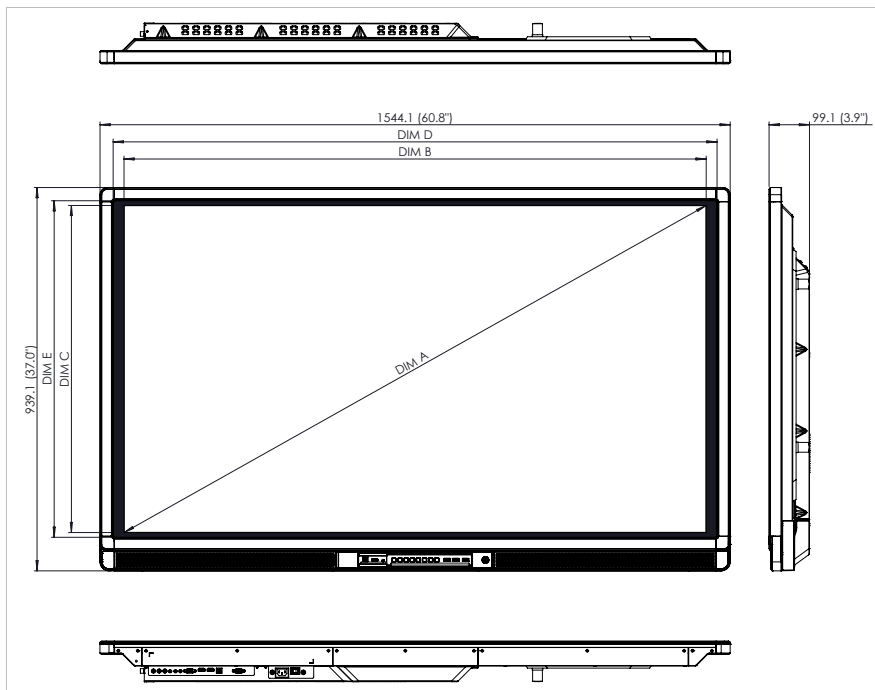
SUPPORT

For all Promethean products, visit Support.PrometheanWorld.com.

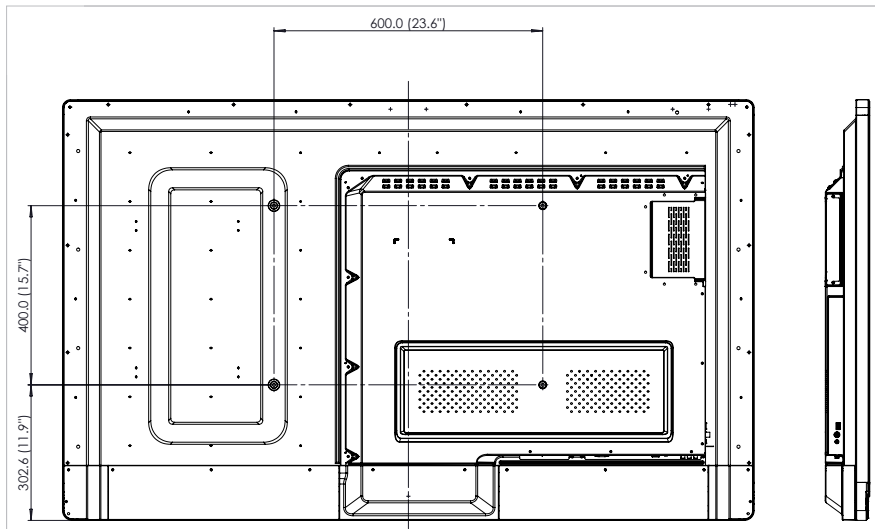
TECHNICAL DRAWINGS

65" HD

REF	DESCRIPTION	DIMENSION
A	IMAGE DIAGONAL	1636.2mm (64.4")
B	IMAGE AREA WIDTH	1429.0mm (56.3")
C	IMAGE AREA HEIGHT	804.0mm (31.7")
D	ACTIVE AREA WIDTH	1479.5mm (58.2")
E	ACTIVE AREA HEIGHT	824.5mm (32.5")



Front



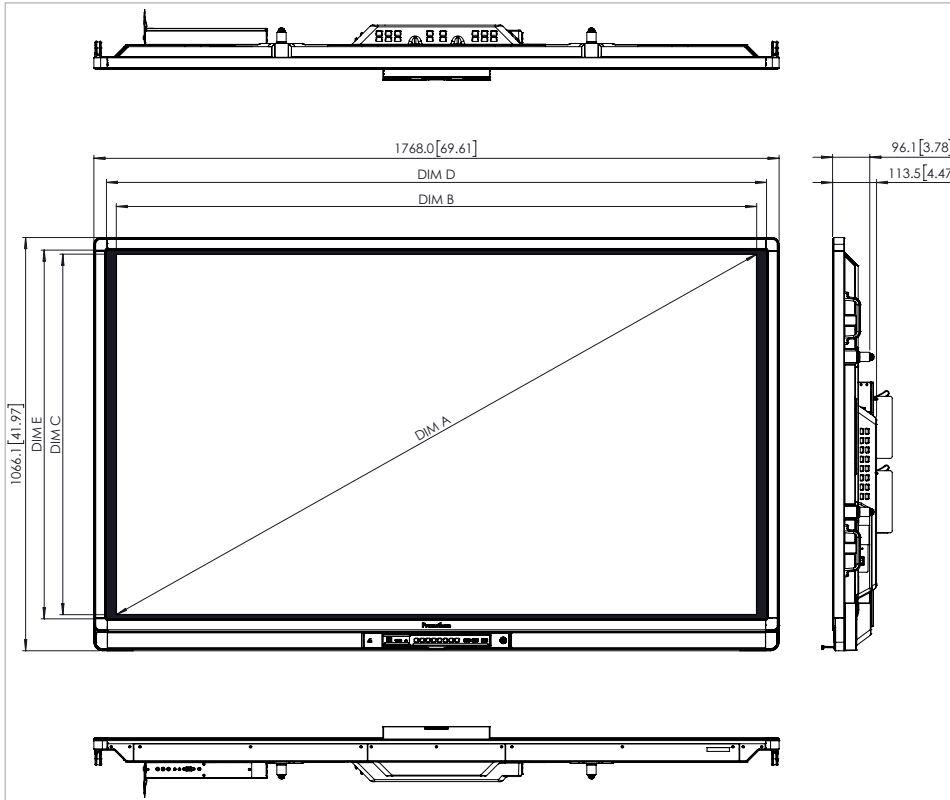
Back

ActivPanel i-Series 2018 SS 12/17 v2.8 EN

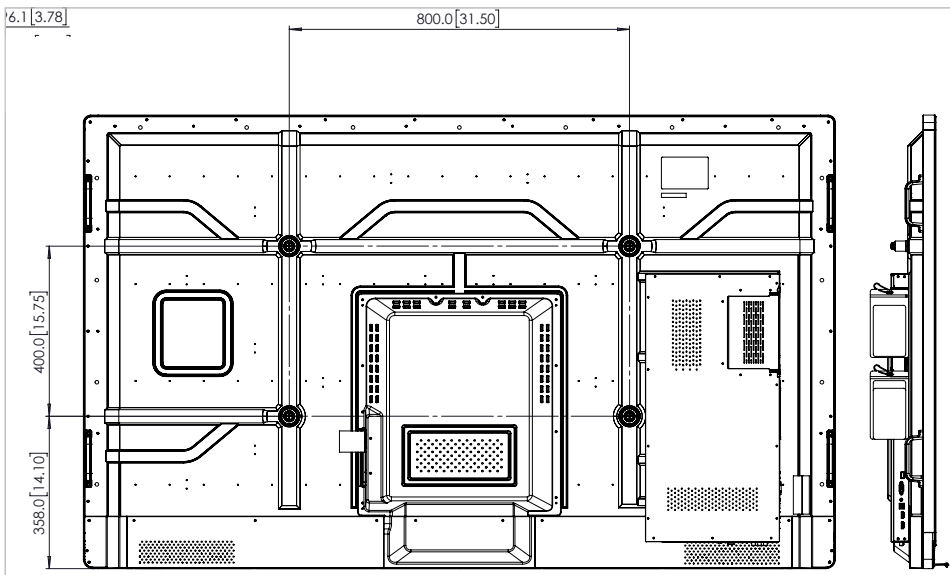
TECHNICAL DRAWINGS

75" 4K

REF	DESCRIPTION	DIMENSION
A	IMAGE DIAGONAL	1896.1mm [74.7"]
B	IMAGE AREA WIDTH	1650.0mm [65.0"]
C	IMAGE AREA HEIGHT	928.0mm [36.5"]
D	ACTIVE AREA WIDTH	1703.5mm [67.1"]
E	ACTIVE AREA HEIGHT	951.5mm [37.5"]



Front



Back

Windows and Microsoft Edge are registered trademarks or trademarks of Microsoft Corporation. All other trademarks are the property of their respective owners. This spec sheet is an independent publication and is neither affiliated with, nor authorized, sponsored, or approved by, Microsoft Corporation.

OS X, macOS and Safari are trademarks of Apple Inc., registered in the U.S. and other countries.

Linux is the registered trademark of Linus Torvalds in the U.S. and other countries.

© 2018 Google LLC, used with permission. Android and Chrome OS are registered trademarks of Google LLC

Wi-Fi is a registered trademark of Wi-Fi Alliance®

Intel and Intel Core are trademarks of Intel Corporation or its subsidiaries in the U.S. and/or other countries.

ActivPanel i-Series 2018 SS 12/17 v2.8 EN