

VELVET Mini 3 Studio IP51

Ref.: VM3ST

Datasheet: June 2021 / Page 1



Bicolor dustproof AC powered compact panoramic soft light LED panels

[Click here for more product information](#)

VM3ST includes: on board AC PSU with AC In & Out PowerCon TRUE1, DMX In & Out XLR-5, 1x yoke with 28mm junior pin - 16mm baby receiver. 3,5mts power cable with aerial PowerCon TRUE1



1. Power switch
2. XLR-3 DC In connector
3. +/- adjustment buttons
4. 3200K / 5600K quick access button
5. Mode selection button (dimmer / colour temperature)
6. Digital display
7. XLR-5 DMX RDM In & Out connector



VELVET Mini 3 Studio IP51

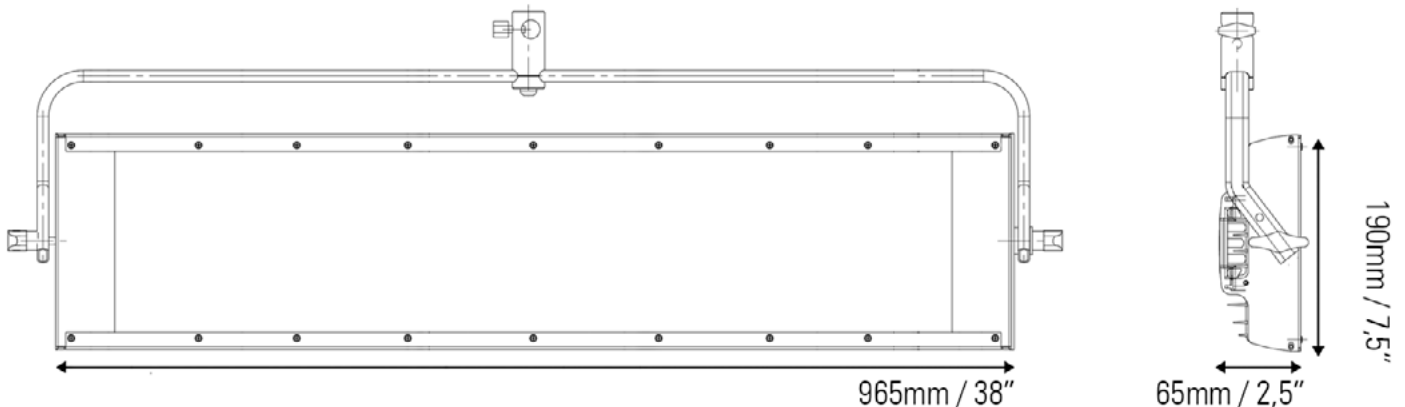
Ref.: VM3ST

Datasheet: June 2021 / Page 2



COLOUR TEMPERATURE	adjustable from 2700K to 6500K in 100K increments
LIGHT INTENSITY	dimnable 0 to 100 (smooth and flicker-free)
TLCI	93 at 3200K and 96 at 5600K
DIMENSIONS	930 x 190 x 90 mm / 36,5" x 7,5" x 3,5" (panel)
WEIGHT	4,6 kgs / 10 lbs (panel) 5,1 kgs / 11,2 lbs (panel + yoke)
POWER DRAW	150W / 1,36 Amps at 110 VAC
POWER SUPPLY	90-264 VAC 50/60Hz through PowerCon TRUE1 In & Out
CONTROL	On-board digital control DMX RDM remote control through XLR-5 In & Out
PHOTOMETRICS	3.200 Lux / 296 fc at 1m / 3 feet 450 Lux / 42 fc at 3m / 10 feet
BEAM ANGLE	100°
LED RATED LIFE	more than 50.000 hours
COOLING	no-noise, fan-free passive cooling
PROTECTION	IP51 dustproof, indoor or outdoor protected use
CONSTRUCTION & FINISH	Made of black anodized extruded aluminum and black powder coated sheet aluminum
VELVET LED TECHNOLOGY	Selected BIN LED + optic diffuser + CPU software control
ACCESSORIES	VELVET DMX remote control, foldable Snapgrid, removable barn doors, cordura case, hard case
RIGGING OPTIONS	aluminum yoke with 16mm baby receptacle combined with 28mm junior pin, four sliding threads 1/4" for riggings located on panel sides, double baby pin for diagonal or vertical position using the standard yoke

WIRE VIEW



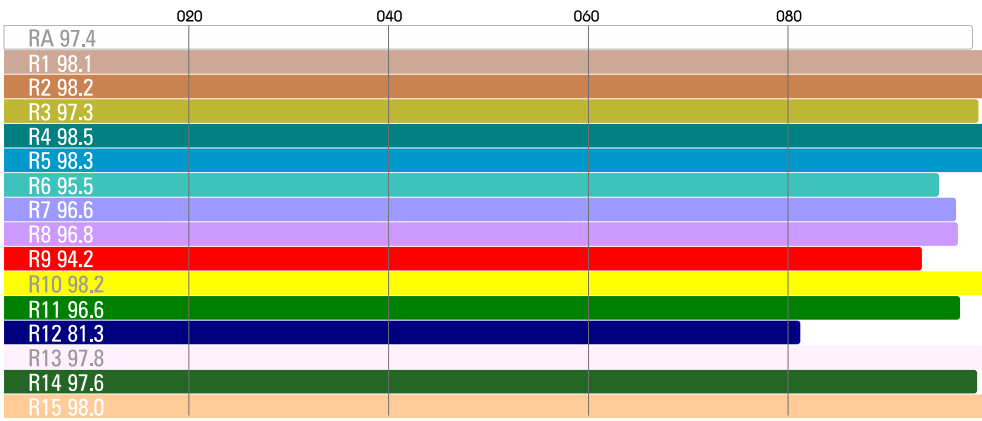
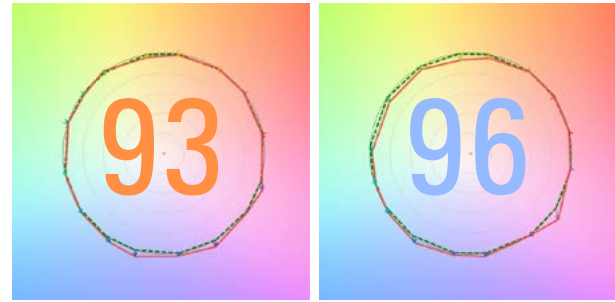
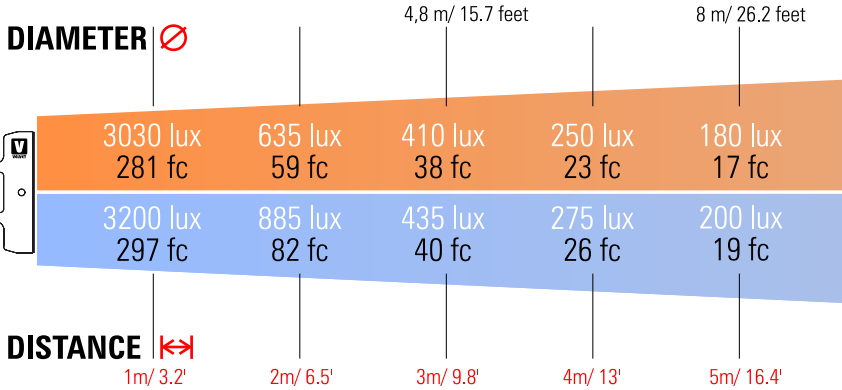
VELVET Mini 3 Studio IP51

Ref.: VM3ST

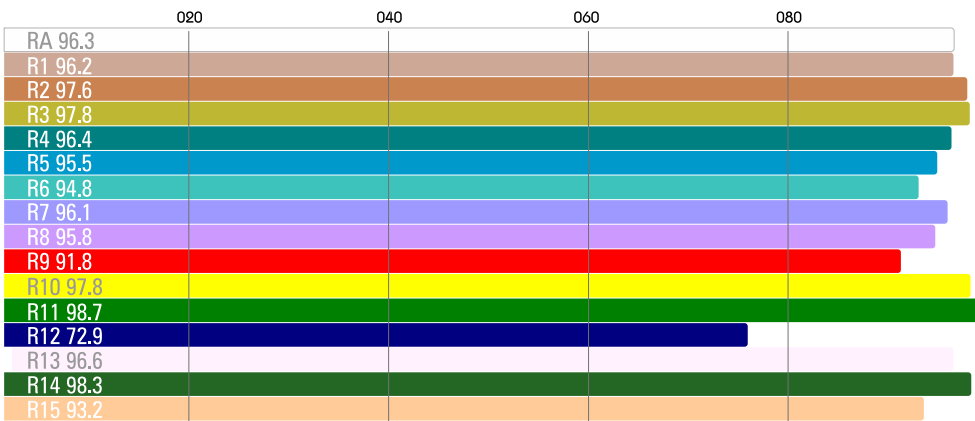
Datasheet: June 2021 / Page 3



PHOTOMETRICS



CCT 3231K



CCT 5638K

VELVET Mini 3 Studio IP51

Ref.: VM3ST

Datasheet: June 2021 / Page 4



ACCESSORIES

BEAM CONTROL



VM3-RB



VM3-SG



VM3-SB



VM3-SGXSB



VM3-DOME

TRANSPORT



VM3-BAG

REMOTE CONTROL



VL-RC