

# EVO 2 STUDIO

## 2x1 COLOR-TUNABLE PANEL

EVO is an instrument made to extend your creative possibilities, to set up faster, and to remotely adjust on the fly on any location or any studio.

EVO offers everything you need from a professional color light: industry-leading output-to-weight and output-to-watt ratios, full output from standard 14.4V batteries, wireless control, solid reliability, silent fan-free operation and a weatherproof ergonomic housing.



### VE2CST

ORDER CODE

EVO 2 Color STUDIO dustproof + integrated AC power supply + yoke

INCLUDES: 1x EVO 2 Color Studio LED panel IP51 with DC in XLR-3, integrated AC power supply, DMX in&out XLR-5, Mini-USB, VELVET WIFI Art-Net, 1x RJ45 Ethernet, 1x yoke with Euro28mm junior pin - 16mm baby receiver, 1x PowerCon TRUE1 power cable

### VE2CSTNY

ORDER CODE

EVO 2 Color STUDIO dustproof + integrated AC power supply NO Yoke

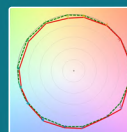
INCLUDES: 1x EVO 2 Color Studio LED panel IP51 with DC in XLR-3, integrated AC power supply, DMX in&out XLR-5, Mini-USB, VELVET WIFI ArtNet, 1x RJ45 Ethernet, 1x PowerCon TRUE1 power cable

## PHOTOMETRICS 5600K/ 3200K

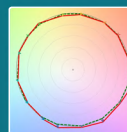
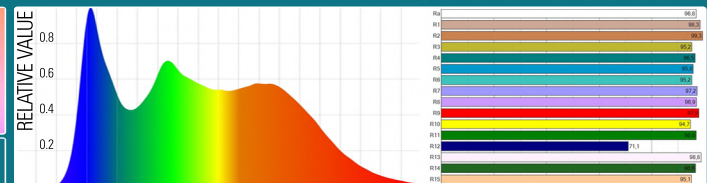
1m	7000 lux
3ft	650 fc

3m	900 lux
10ft	83 fc

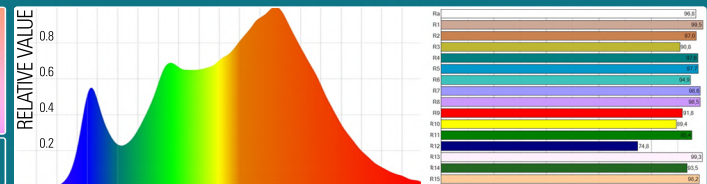
5m	167 lux
16ft	15.5 fc

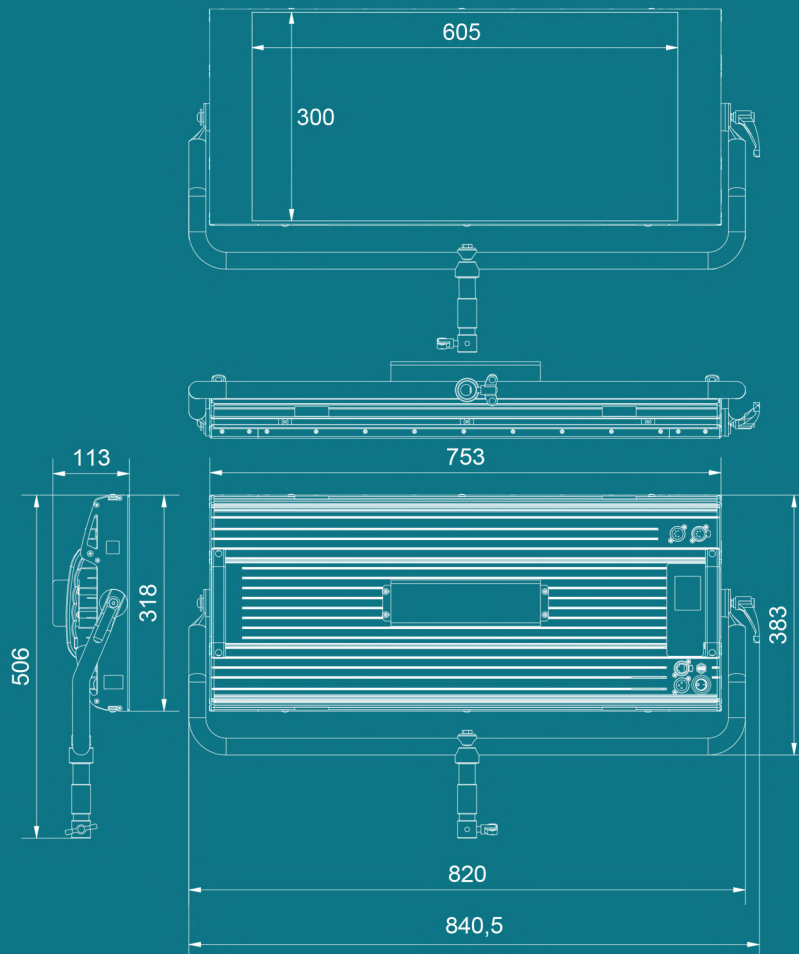


5620K



3226K





## TECHNICAL SPECIFICATIONS

<b>BEAM ANGLE</b> <b>COLOR TEMPERATURE</b> <b>LIGHT INTENSITY</b> <b>GREEN-MAGENTA</b> <b>COLOR SPECTRUM</b>	<b>115°</b> Continuously adjustable from 2500K to 10.000K. Dimmable from 0 to 1000, smooth and flicker-free. Continuously adjustable from full minusgreen to full plusgreen Full color spectrum R+G+B+W+CW with hue, saturation, and base color temperature control.
<b>CONTROL COLOR MODES</b>	CCT, HSI+, GEL, RGB+W+CW and EFFECTS modes. Adjustments are laid over a base white light and can be transferred from one mode to another.
<b>CONTROL</b>	Onboard control with color display, DMX/RDM through XLR5, Ethernet Art-Net through RJ-45, Art-Net, Wi-Fi and the VELVET GOYA mobile app.
<b>CR INDEX &amp; TLCI</b>	Exceeds 95 CRI and TLCI.
<b>DIMENSIONS</b> <b>PANEL WEIGHT</b> <b>PANEL + YOKE WEIGHT</b>	753 x 318 x 128mm / 29.6 x 12.5 x 5 inches. 8.2 kg / 18 lb. 8.9 kg / 19.6 lb.
<b>POWER 200W</b> <b>POWER SUPPLY</b>	1.8 Amps at 110 VAC. 90-264V AC 50/60Hz.
<b>LED RATED LIFE</b> <b>COOLING</b> <b>PROTECTION</b>	More than 50,000 hours. Silent, fan-free passive cooling. Indoor or outdoor IP51 dustproof protected.
<b>CONSTRUCTION &amp; FINISH</b> <b>RIGGING OPTIONS</b>	Fixture and yoke made of 100% black powdercoated extruded and sheet aluminum. Aluminum yoke with 16mm baby receptacles combined with 28mm junior pin, multiple ¼"-20 rigging points, double vertical yoke, pole-operated yoke.

