

VELVET Light 4 Studio IP51



Ref.: VL4ST

Datasheet: November 2021 / F

4x1 feet bicolor dustproof AC powered soft light LED panel

[Click here for more product information](#)



1. XLR-3 DC IN
2. Power switch
3. + / - Adjustment buttons
4. 3200K / 5600K Quick access button
5. Mode selection button (Dimmer / Colour Temp)
6. XLR DMX-5 IN
7. Digital display
8. XLR-5 DMX Out



VELVET Light 4 Studio IP51

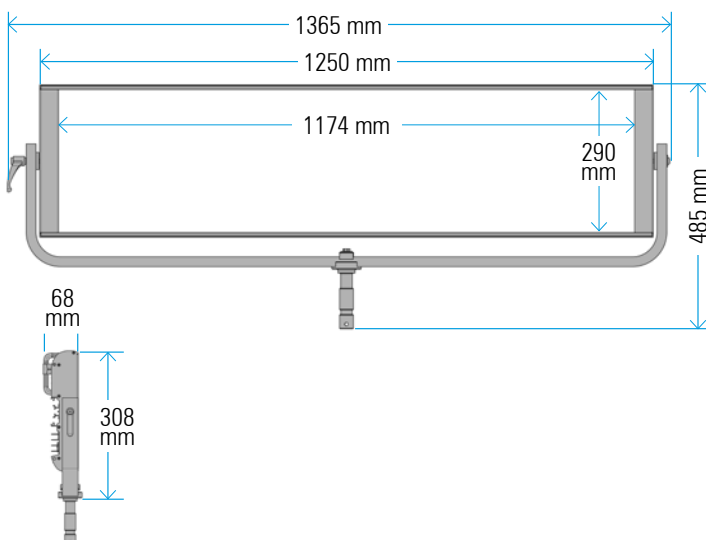
Ref.: VL4ST

Datasheet: November 2021 / Page 2

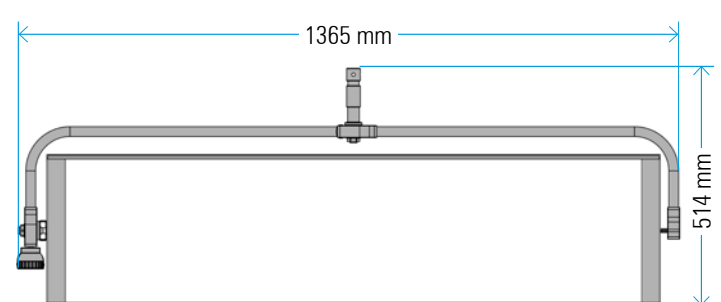


SPECIFICATIONS	
COLOUR TEMPERATURE	Aadjustable from 2700K to 6500K (100K increments)
LIGHT INTENSITY	Dimmable 0 to 100 (smooth and flicker-free)
LOCAL CONTROL	Shock proof buttons and display
WIRE CONTROL	DMX-RDM with XLR-5 In & Out connectors
TLCI INDEX	96 at 3200K and 96 at 5600K
PHOTOMETRICS	6600 lux / 616 fc at 1m / 3 feet 1000 lux / 93 fc at 3m / 10 feet 320 lux / 30 fc at 6m / 20 feet
BEAM ANGLE	100°
DIMENSIONS	1250x308x68mm / 49.2"x12.1"x2.7" (panel) 1132x485x68mm / 44.6"x19"x2.7" (panel + yoke)
WEIGHT	11 kg / 24,25 lbs (panel) 14.8 kg / 32,6 lbs (panel + center mount + power supply)
POWER DRAW	290W
POWER SUPPLY	26-28V DC/ 90-264V AC 50/60Hz
LED RATED LIFE	More than 50.000 hours L70 More than 35.000 hours L80
POWER CONNECTION	Neutrik XLR-3 DC In connector
OUTPUT FREQUENCY	2000 fps
OPERATION TEMPERATURE	From -20°C to +40°C
COOLING	No-noise, fan-free passive cooling
PROTECTION	IP51 dustproof, indoor or outdoor protected use
VELVET LED TECHNOLOGY	Selected BIN LED + optic diffuser + CPU software control
RIGGING OPTIONS	Aluminum yoke with 16 female combined with 28 pin, quick link swivel ball head, pole operated yoke, multipanels yokes
QUICK MOUNTING ACCESSORIES	AC power supply, foldable Snapgrid, 40° and 20°, removable barn doors, hard case
CONSTRUCTION & FINISH	Black anodized extruded aluminum and black powder coated sheet aluminum

VELVET Light 4 Studio + MO Yoke



VELVET Light 4 Studio + PO Yoke



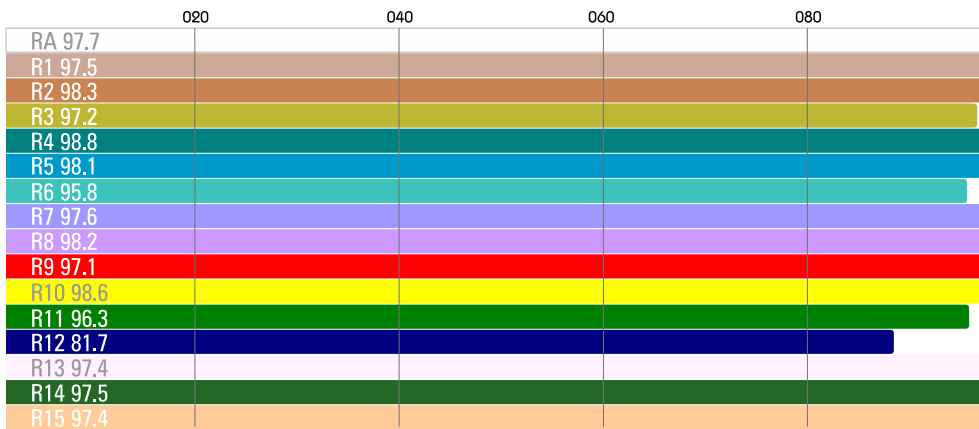
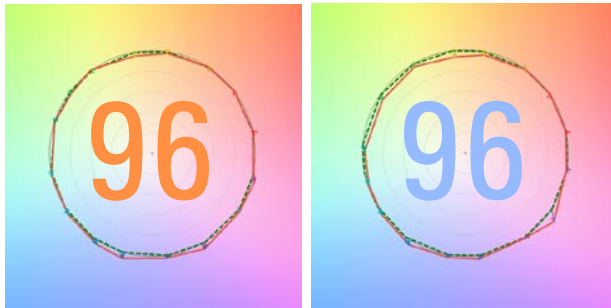
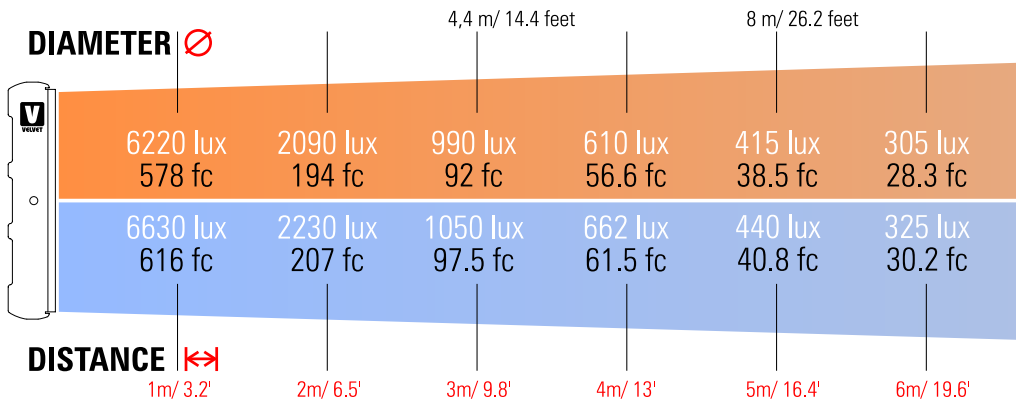
VELVET Light 4 Studio IP51



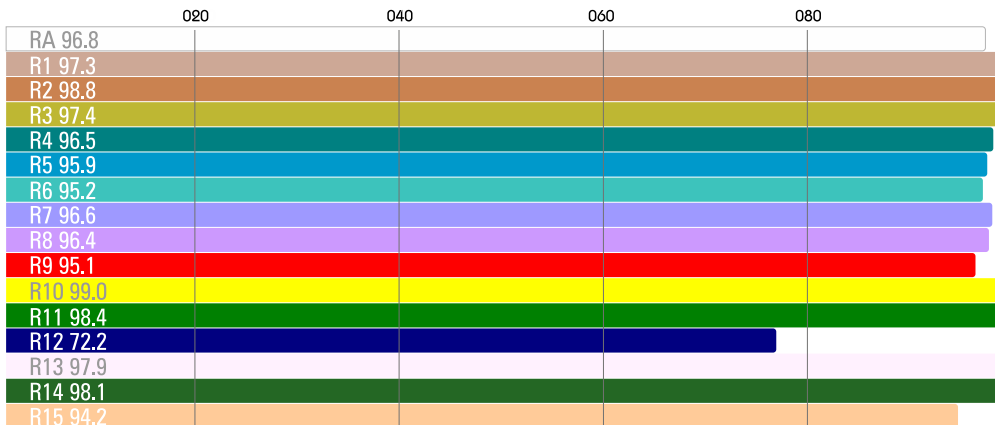
Ref.: VL4ST

Datasheet: November 2021 / Page 3

PHOTOMETRICS



CCT 3270K



CCT 5740K

VELVET Light 4 Studio IP51

Ref.: VL4ST

Datasheet: November 2021 / Page 4



ACCESSORIES

POWER SUPPLY	TRANSPORT	REMOTE CONTROL
--------------	-----------	----------------



VL4IP54-PSU



VL4-CASE



VL-RC

BEAM CONTROL



VL4-RB



VL4-SG



VL4-SB



VL4-SGXSB

RIGGING



VL4IP-PSUQLSSJ



VL4-QLSSJ



VL4-Y



VL4-YPO