

VELVET Light 1 Studio IP51



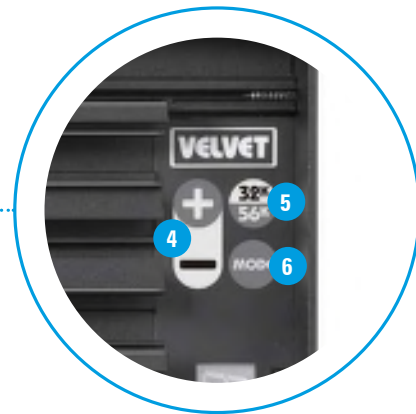
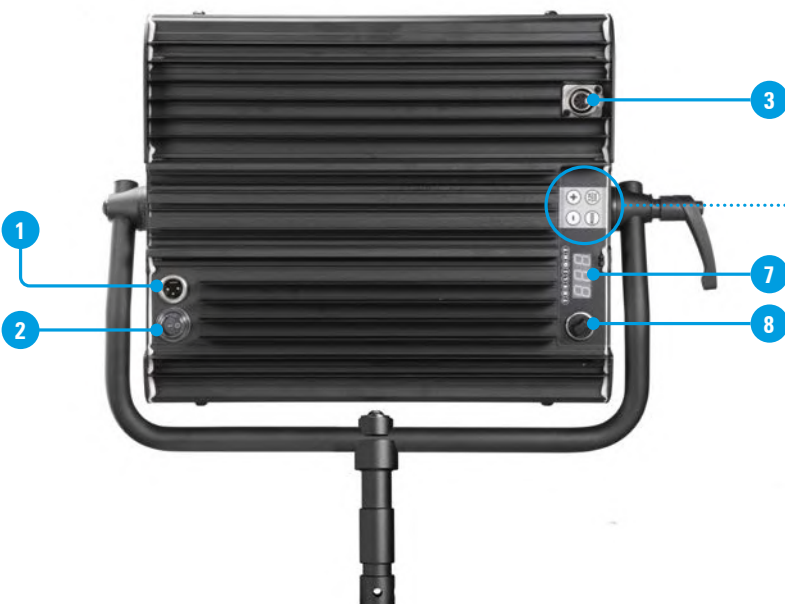
Ref.: VL1ST

Datasheet: November 2021 / Page 1

1x1 foot bicolor dustproof AC powered soft light LED panel

[Click here for more product information](#)

1. XLR-3 DC IN
2. Power switch
3. XLR DMX-5 OUT
4. +/− Adjustment buttons
5. 3200K/ 5600K Quick access button
6. Mode selection button(Dimmer/ Colour Temp)
7. Digital display
8. XLR-5 DMX IN



VELVET Light 1 Studio IP51

Ref.: VL1ST

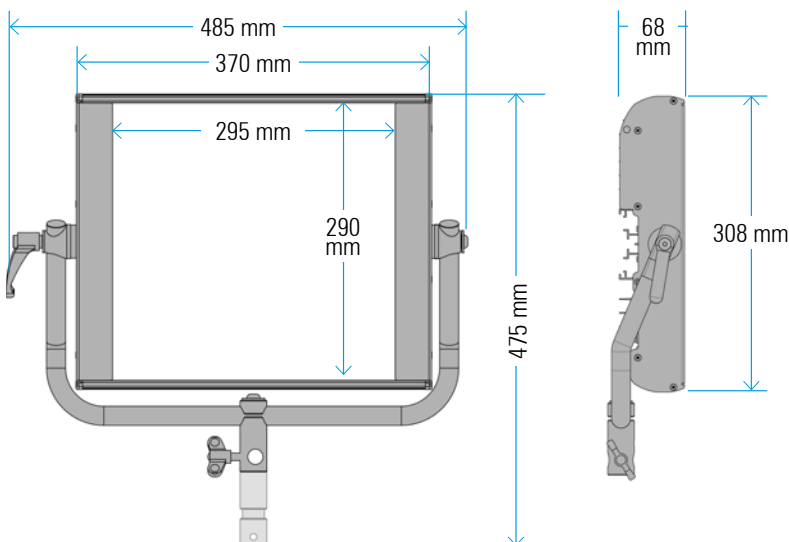
Datasheet: November 2021 / Page 2



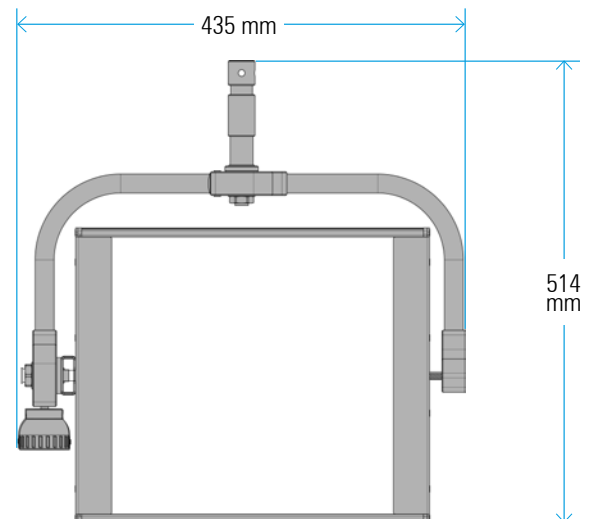
SPECIFICATIONS

COLOUR TEMPERATURE	Adjustable from 2700K a 6500K (100K increments)
LIGHT INTENSITY	Dimmable 0 to 100 (smooth and flicker-free)
LOCAL CONTROL	Shock proof buttons and display
WIRE CONTROL	DMX DMX-RDM with XLR-5 In & Out connectors
TLCI INDEX	98 at 3200K and 97 at 5600K
PHOTOMETRICS	2000 lux / 185 fc at 1m / 3 feet 250 lux / 23 fc at 3m / 10 feet
BEAM ANGLE	100°
DIMENSIONS	370x308x68mm / 14.5"x12"x2.7" (panel) 485x395x68mm (panel+yoke)
WEIGHT	3.5 kg / 7.7 lbs (panel) 4 kg / 8.8 lbs (panel + yoke)
POWER DRAW	75W
POWER SUPPLY	90-264V AC 50/60Hz
LED RATED LIFE	More than 50,000 hours L70 More than 35,000 hours L80
POWER CONNECTION	Neutrik XLR-3 DC In connector
OUTPUT FREQUENCY	2000 fps
OPERATION TEMPERATURE	From -20°C to +40°C
COOLING	No-noise, fan-free passive cooling
PROTECTION	IP51 dustproof, indoor or outdoor protected use
VELVET LED CYC TECHNOLOGY	Selected BIN LED + optic diffuser + CPU software control
RIGGING OPTIONS	Aluminum yoke with 16 female combined with 28 pin, quick link swivel ball head, pole operated yoke, multipanels yokes
QUICK MOUNTING ACCESSORIES	AC power supply, foldable Snapgrid, removable barn doors, cordura case, hard case
CONSTRUCTION & FINISH	Black anodized extruded aluminum and black powder coated sheet aluminum

VELVET Light 1 Studio + MO Yoke



VELVET Light 1 Studio + PO Yoke



FRAMELIGHT

sales@framelight.com.au | framelight.com.au

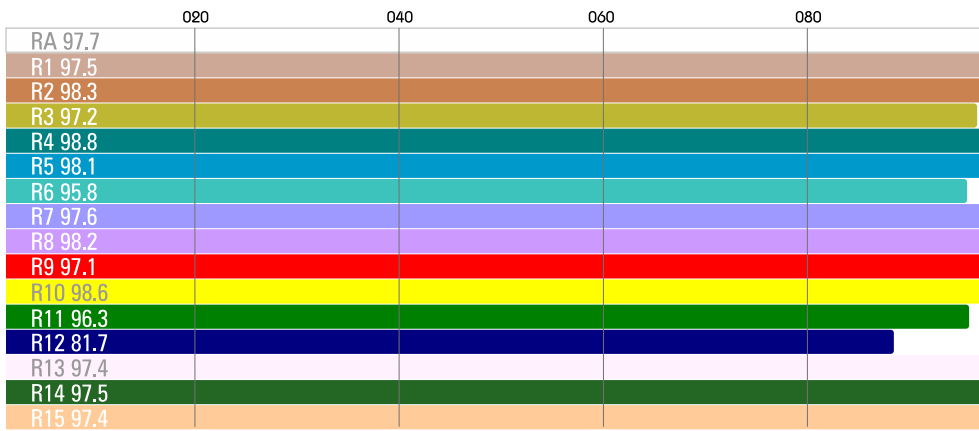
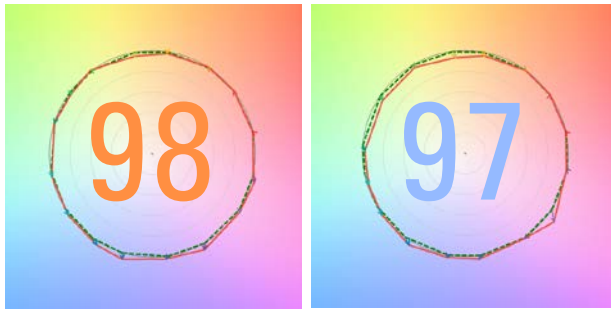
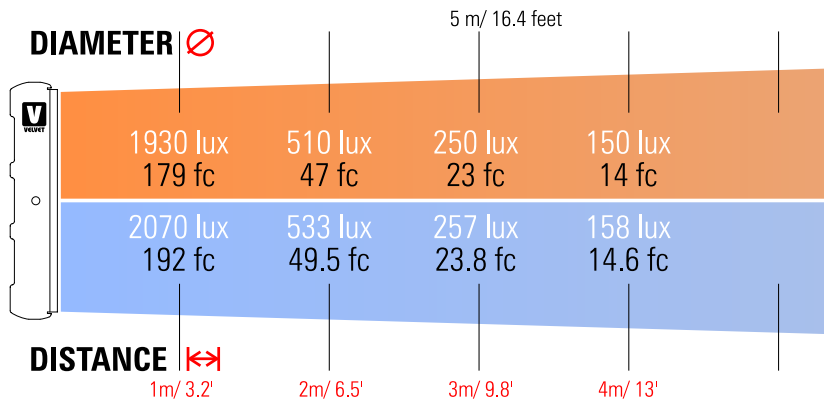
VELVET Light 1 Studio IP51



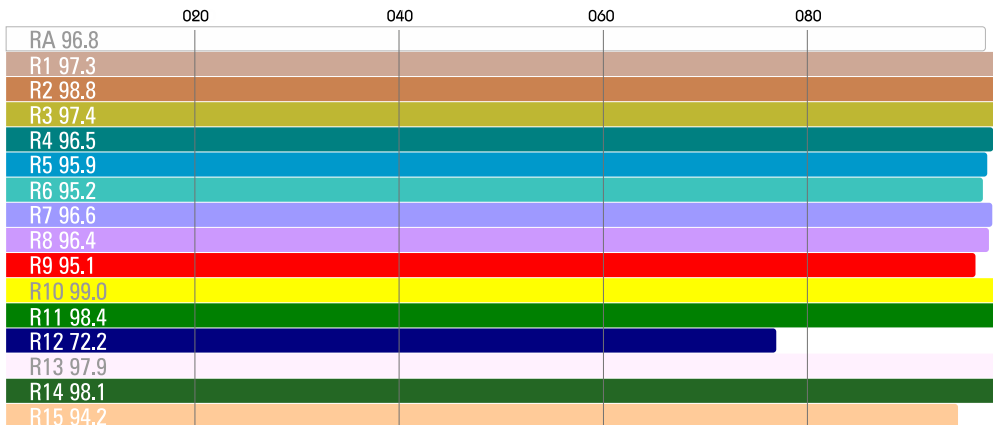
Ref.: VL1ST

Datasheet: November 2021 / Page 3

PHOTOMETRICS



CCT 3270K



CCT 5740K

VELVET Light 1 Studio IP51

Ref.: VL1ST

Datasheet: November 2021 / Page 4



ACCESSORIES

POWER SUPPLY	RIGGING	REMOTE CONTROL
--------------	---------	----------------



VL1ST-PSU



VL1-YPO



VL-RC

BEAM CONTROL



VL1-RB



VL1-SG



VL1-SB



VL1-SGXSB

TRANSPORT



VL1-BAG



VL1-DBAG



VL1-CASE