

pvd concept®

Workbook 2022

(Outdoor)

**Nona | Simply.
Mirror.**

pvd concept

In a nutshell

Patrik van Daele

Founder and passionate business manager

Patrik van Daele was born on 26 October 1964 in Brasschaat into a warm family with four children. As the son of a professor at the University of Antwerp, he began his school career at St. Michael's College close to home.

It soon became clear that Patrik's interests were mainly in the practical fields. So, filled with conviction, he switched to technical training on Londenstraat in Antwerp. There he graduated aged 18 in electromechanics, followed by one year of compulsory military service.

His first work experience came at an installation company in the region, and after just one year he chased his true dream and started working as a self-employed electrician. From the very beginning of his professional career, there was already a love for the production of lighting, in which he began to specialise more and more.



The origin of pvd concept

Pvd concept was founded in 1986 with the ambitious mission of marketing products that were not yet available in the lighting world.

Demand for these products grew steadily, thanks to their uniqueness and innovative character. After all, everything started in a small cellar of just a few square metres in his own private home in Kapellen. This successful adventure grew year by year, with the result that he was able to move into ever larger production facilities.

One fun fact is that one of the very first designs (NONA) was named after Patrik's favourite band in his youth. NONA is still one of the most popular models in our range and can be found all over the world.



A dynamic family business

In 2013, the youngest son (Tobias van Daele) joined the company, followed by the oldest son (Dieter van Daele) in 2018.

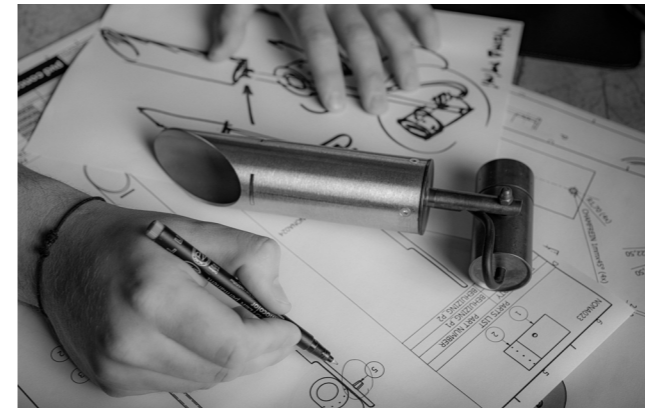
Over the years, thanks to a number of enthusiastic employees, additional reinforcement was added, both in production and in the office. For some years now, we have been a young and dynamic family business, where the will to grow together and become stronger is prominent.



International

Pvd concept began to write a success story in the Benelux thanks to good contacts and collaborations with architects, lighting planners and lighting shops. Following the emergence of a great many social media channels in the last decade, the company has also jumped on the trend to inform the world about its wide range of products and services.

Currently, pvd concept is active in more than 40 countries and on various social media such as Facebook, Instagram, Pinterest, LinkedIn and Architonic (a design and architecture platform).



Made in Belgium

Pvd concept is extremely proud that all products are 100% made in Belgium.

Partly because of this, the company will move to a new and state-of-the-art production facility in 2022.

This will allow even more to be achieved in-house without being dependent on suppliers.

Custom Made

A good 30% of worldwide sales of pvd concept's products are "custom made". This usually involves existing fixtures from the range that are specifically adapted to the customer's needs.

But completely new fixtures tailored to the customer's wishes are also possible.

Since day one, this has been one of the company's most important assets.

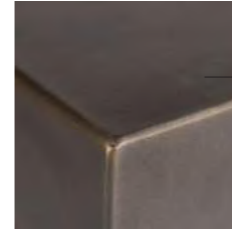
Mission & vision

To date, the aim is still to follow its own path, to bring new products to market and to be less dependent on suppliers in the coming years.

To strive for quality over quantity by taking even more steps of the production process under its own management. By being present in ever more different countries and continents in the coming years, we want to exploit these assets further in our export activities.

Worldwide, we are happy to reach out to architects and lighting planners to work more closely together, and to help us as an innovative company delve deeper into their ambitious and original projects.





Nona|Simply Content

Nona Mini	15
Mini	15
Mini rosas	17
Nona Bar	20
Bar 40cm	21
Bar 100cm	22
Bar 140cm	23
Nona Wall	26
Wall	26
Wall rosas	27
Wall beam	28
Wall up/down	29
Simply Bollard	34
Bollard	34
Bollard 90°	38
Short	41
Simply Wall	43
Wall	43
Wall 90°	45
Simply Higa	47
Simply Pillar	50
Medium	50
Large	56



Mirror



Mirror Content

Spot ————— 63

Lineair ————— 65

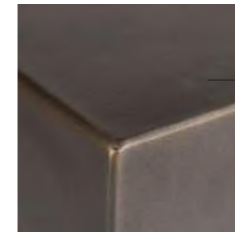


Nona | Simply Collection

Most models in the NONA|SIMPLY exterior lighting collection have a bronzed finish. An unobtrusive design (weathered brass) was chosen that blends in perfectly with nature and is very durable.

The NONA|SIMPLY collection is available in various sizes and materials, such as weathered brass and stainless steel.

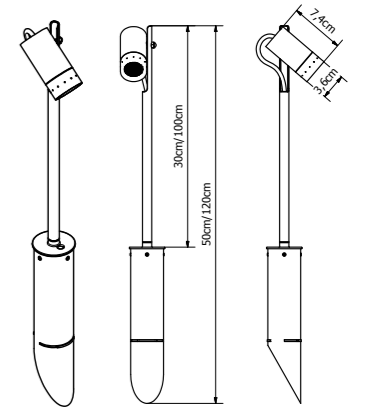
Nona



Nona | Simply Nona mini

General

Location:	Exterior
Class:	CE (Class III)
IP-rating:	IP67
Driver included:	Yes
Installation orientation:	Ground
Main power:	220V-240V
Lamp included:	Yes (Integral)
Dimmable:	No (Dimmable on request)
Dimensions (mm):	H: 300mm/1000mm W: 74mm Ø: 36mm



Models



CODE NNA-M-01 01 01
Main material: Weathered brass

Nona mini led **flood 30cm**

LED: 60° - 2700K - CRI>90
3W - 150lm - 24V (Driver included)



CODE NNA-M-01 01 02
Main material: Weathered brass

Nona mini led **spot 30cm**

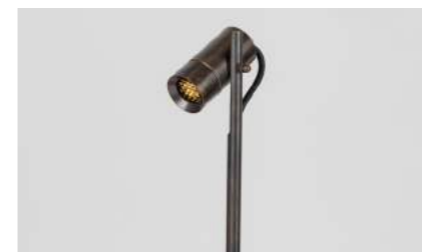
LED: 24° - 2700K - CRI>90
3W - 150lm - 24V (Driver included)



CODE NNA-M-01 02 01
Main material: Weathered brass

Nona mini led **flood 100cm**

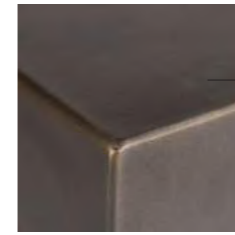
LED: 60° - 2700K - CRI>90
3W - 150lm - 24V (Driver included)



CODE NNA-M-01 02 02
Main material: Weathered brass

Nona mini led **spot 100cm**

LED: 24° - 2700K - CRI>90
3W - 150lm - 24V (Driver included)



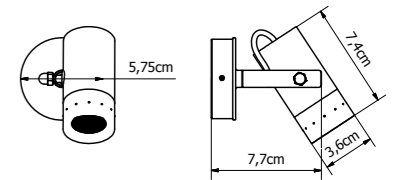
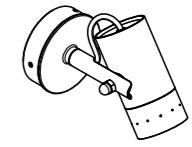
Nona | Simply Nona mini rosas

General

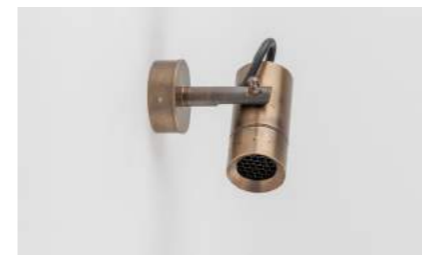
Location: Exterior
 Class: CE (Class III)
 IP-rating: IP67
 Driver included: Yes (Place remotely)
 Installation orientation: Wall

Main power: 220V-240V
 Lamp included: Yes (Integral)
 Dimmable: No (Dimmable on request)

Dimensions (mm): Ø (Rosas): 57,5mm W: 74mm Ø: 36mm



Models



CODE NNA-M-03 01
 Main material: Weathered brass

Nona mini rosas **flood**

LED: 60° - 2700K - CRI>90
 3W - 150lm - 24V (Driver included - place remotely)



CODE NNA-M-03 02
 Main material: Weathered brass

Nona mini rosas **spot**

LED: 24° - 2700K - CRI>90
 3W - 150lm - 24V (Driver included - place remotely)

Option

NNA-M-TIGE Tige 30cm nona mini wall weathered brass



Nona bar



Nona bar



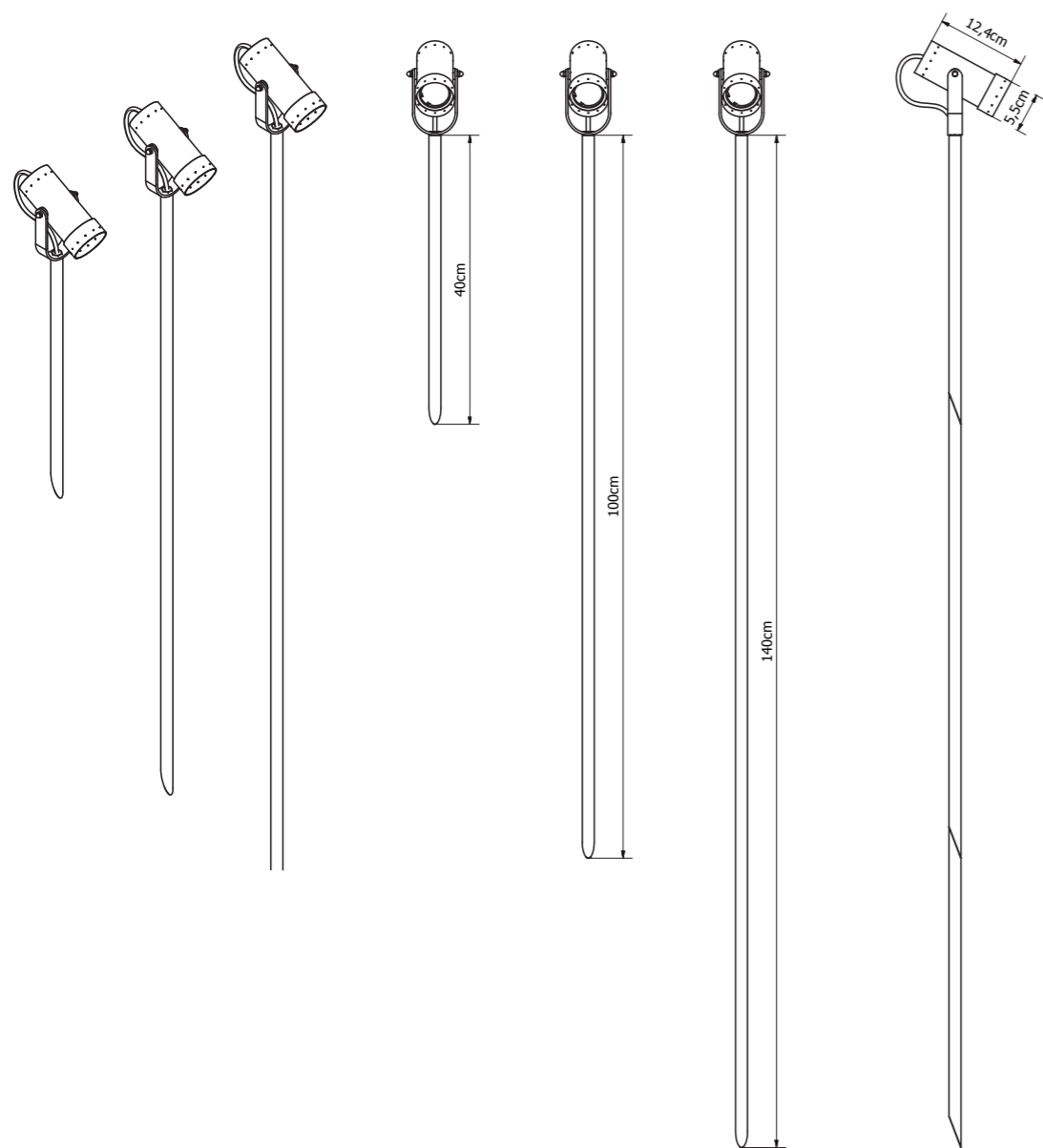
Nona|Simply Nona bar

General

Location: Exterior
 Class: CE (Class III)
 IP-rating: IP67
 Driver included: Yes
 Installation orientation: Ground

Main power: 220V-240V
 Lamp included: Yes (Integral)
 Dimmable: No (Dimmable on request)

Dimensions (mm): H: 400mm/1000mm/1400mm W: 124mm Ø: 55mm



Nona bar 40cm

Models 40cm



CODE NNA-001-S40 LED FLOOD
Main material: Weathered brass

Nona bar led **flood 40cm**

LED: 120° - 2700K - CRI>90
 3W - 390lm - 350mA (Driver included)



CODE NNA-001-S40 LED PLUG FLOOD
Main material: Weathered brass

Nona bar led **plug flood 40cm**

LED: 120° - 2700K - CRI>90
 3W - 390lm - 350mA (Driver included)



CODE NNA-001-S40 LED SPOT
Main material: Weathered brass

Nona bar led **spot 40cm**

LED: 30° - 2700K - CRI>90
 3W - 360lm - 350mA (Driver included)



CODE NNA-001-S40 LED PLUG SPOT
Main material: Weathered brass

Nona bar led **plug spot 40cm**

LED: 30° - 2700K - CRI>90
 3W - 360lm - 350mA (Driver included)

Options

NNA-001-HC
 NNA-001-AV
 NNA-001-GL

Nona anti-glare honeycomb black Ø52,5x3mm
 Nona anti-glare louver black
 Nona frosted glass

NNA-CONVERTER350mA-24V

Dimmable converter Nona|Simply, Output: 350mA, Input 24Vdc IP67

Nona bar 100cm

Models 100cm



CODE NNA-001-S101 LED FLOOD

Main material: Weathered brass

Nona bar led **flood 100cm**

LED: 120° - 2700K - CRI>90
3W - 390lm - 350mA (Driver included)



CODE NNA-001-S101 LED PLUG FLOOD

Main material: Weathered brass

Nona bar led **plug flood 100cm**

LED: 120° - 2700K - CRI>90
3W - 390lm - 350mA (Driver included)



CODE NNA-001-S101 LED SPOT

Main material: Weathered brass

Nona bar led **spot 100cm**

LED: 30° - 2700K - CRI>90
3W - 360lm - 350mA (Driver included)



CODE NNA-001-S101 LED PLUG SPOT

Main material: Weathered brass

Nona bar led **plug spot 100cm**

LED: 30° - 2700K - CRI>90
3W - 360lm - 350mA (Driver included)

Options

NNA-001-HC
NNA-001-AV
NNA-001-GL

Nona anti-glare honeycomb black Ø52,5x3mm
Nona anti-glare louver black
Nona frosted glass

NNA-CONVERTER350mA-24V

Dimmable converter Nona|Simply, Output: 350mA,
Input 24Vdc IP67

Nona bar 140cm

Models 140cm



CODE NNA-001-S140 LED FLOOD

Main material: Weathered brass

Nona bar led **flood 140cm**

LED: 120° - 2700K - CRI>90
3W - 390lm - 350mA (Driver included)



CODE NNA-001-S140 LED PLUG FLOOD

Main material: Weathered brass

Nona bar led **plug flood 140cm**

LED: 120° - 2700K - CRI>90
3W - 390lm - 350mA (Driver included)



CODE NNA-001-S140 LED SPOT

Main material: Weathered brass

Nona bar led **spot 140cm**

LED: 30° - 2700K - CRI>90
3W - 360lm - 350mA (Driver included)



CODE NNA-001-S140 LED PLUG SPOT

Main material: Weathered brass

Nona bar led **plug spot 140cm**

LED: 30° - 2700K - CRI>90
3W - 360lm - 350mA (Driver included)

Options

NNA-001-HC
NNA-001-AV
NNA-001-GL

Nona anti-glare honeycomb black Ø52,5x3mm
Nona anti-glare louver black
Nona frosted glass

NNA-CONVERTER350mA-24V

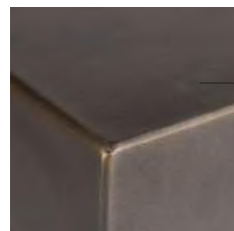
Dimmable converter Nona|Simply, Output: 350mA,
Input 24Vdc IP67



Nona wall beam



Nona wall beam



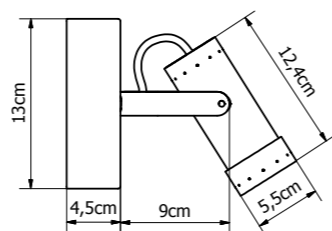
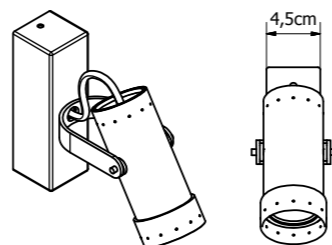
Nona|Simply Nona wall

General

Location: Exterior
 Class: CE (Class III)
 IP-rating: IP67
 Driver included: Yes
 Installation orientation: Wall

Main power: 220V-240V
 Lamp included: Yes (Integral)
 Dimmable: No (Dimmable on request)

Dimensions (mm): HxWxD (Base): 45mm x 130mm x 45mm
 W: 124mm Ø: 55mm



Models



CODE NNA-002-TE LED FLOOD
Main material: Weathered brass

Nona wall led **flood**

LED: 120° - 2700K - CRI>90
 3W - 390lm - 350mA (Driver included)



CODE NNA-002-TE LED SPOT
Main material: Weathered brass

Nona wall led **spot**

LED: 30° - 2700K - CRI>90
 3W - 360lm - 350mA (Driver included)

Options

NNA-001-HC Nona anti-glare honeycomb black Ø52,5x3mm
NNA-001-AV Nona anti-glare louver black

NNA-TIGE Tige 20cm nona wall weathered brass

NNA-CONVERTER350mA-24V Dimmable converter Nona|Simply, Output: 350mA, Input 24Vdc IP67



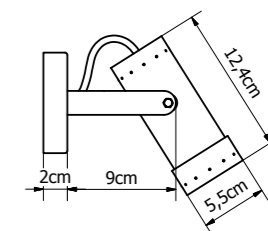
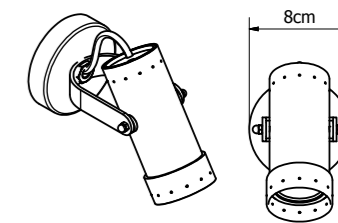
Nona|Simply Nona wall rosas

General

Location: Exterior
 Class: CE (Class III)
 IP-rating: IP67
 Driver included: Yes (Place remotely)
 Installation orientation: Wall

Main power: 220V-240V
 Lamp included: Yes (Integral)
 Dimmable: No (Dimmable on request)

Dimensions (mm): ØxD (Base): 80mm x 20mm
 W: 124mm Ø: 55mm



Models



CODE NNA-002 LED FLOOD
Main material: Weathered brass

Nona wall rosas led **flood**

LED: 120° - 2700K - CRI>90
 3W - 390lm - 350mA (Driver included - place remotely)



CODE NNA-002 LED SPOT
Main material: Weathered brass

Nona wall rosas led **spot**

LED: 30° - 2700K - CRI>90
 3W - 360lm - 350mA (Driver included - place remotely)

Options

NNA-001-HC Nona anti-glare honeycomb black Ø52,5x3mm
NNA-001-AV Nona anti-glare louver black

NNA-TIGE Tige 20cm nona wall weathered brass

NNA-CONVERTER350mA-24V Dimmable converter Nona|Simply, Output: 350mA, Input 24Vdc IP67



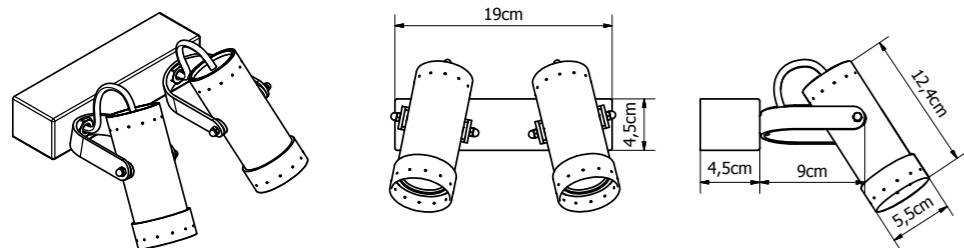
Nona|Simply Nona beam

General

Location: Exterior
 Class: CE (Class III)
 IP-rating: IP67
 Driver included: Yes
 Installation orientation: Wall

Main power: 220V-240V
 Lamp included: Yes (Integral)
 Dimmable: No (Dimmable on request)

Dimensions (mm): HxWxD (Base): 45mm x 190mm x 45mm / W: 124mm Ø: 55mm



Models



CODE NNA-006 TE LED FLOOD
 Main material: Weathered brass

Nona beam led **flood**

LED: 120° - 2700K - CRI>90
 6W - 780lm - 350mA (Driver included)



CODE NNA-006 TE LED SPOT
 Main material: Weathered brass

Nona beam led **spot**

LED: 30° - 2700K - CRI>90
 6W - 720lm - 350mA (Driver included)

Options

NNA-001-HC Nona anti-glare honeycomb black Ø52,5x3mm
 NNA-001-AV Nona anti-glare louver black

NNA-TIGE Tige 20cm nona wall weathered brass (Order 2 pcs.)

NNA-CONVERTER350mA-24V Dimmable converter Nona|Simply, Output: 350mA, Input 24Vdc IP67



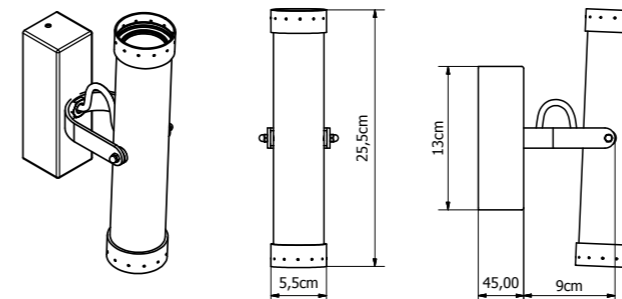
Nona|Simply Nona up/down

General

Location: Exterior
 Class: CE (Class III)
 IP-rating: IP67
 Driver included: Yes
 Installation orientation: Wall

Main power: 220V-240V
 Lamp included: Yes (Integral)
 Dimmable: No (Dimmable on request)

Dimensions (mm): HxWxD (Base): 45mm x 130mm x 45mm / W: 255mm Ø: 55mm



Models



CODE NNA-003 TE LED FLOOD
 Main material: Weathered brass

Nona wall up/down led **flood**

LED: 120° - 2700K - CRI>90
 6W - 780lm - 350mA (Driver included)



CODE NNA-003 TE LED SPOT
 Main material: Weathered brass

Nona wall up/down led **spot**

LED: 30° - 2700K - CRI>90
 6W - 720lm - 350mA (Driver included)

Options

NNA-001-HC Nona anti-glare honeycomb black Ø52,5x3mm
 NNA-001-AV Nona anti-glare louver black

NNA-CONVERTER350mA-24V Dimmable converter Nona|Simply, Output: 350mA, Input 24Vdc IP67

Simply



Simply bollard



Simply bollard



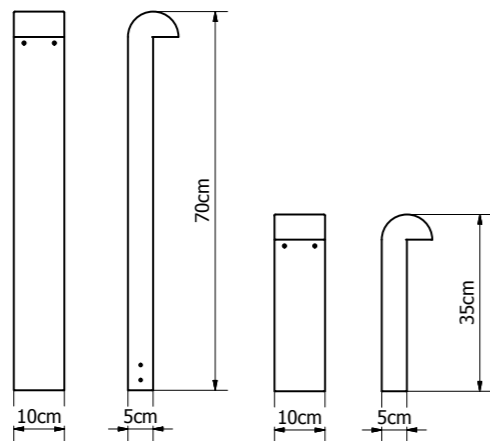
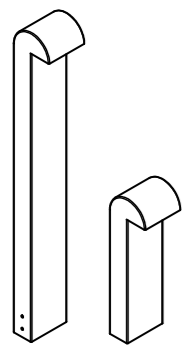
Nona|Simply Simply bollard

General

Location: Exterior
Class: CE (Class III)
IP-rating: IP67
Driver included: Yes
Installation orientation: Ground

Main power: 220V-240V
Lamp included: Yes (Integral)
Dimmable: No (Dimmable on request)

Dimensions (mm): H: 700mm W: 100mm D: 100mm



Required options (*)

NNA-011-TBASE U-base for installation on paved surfaces
or
NNA-011-TPIC Ground spike for installation in loose ground

Option

NNA-CONVERTER350mA-24V Dimmable converter Nona|Simply, Output: 350mA, Input 24Vdc IP67

Models



CODE NNA-011-T35 LED (*)
Main material: Weathered brass
 Simply bollard **35cm weathered brass**
LED: 120° - 2700K - CRI>90
 6W - 400lm - 350mA (Driver included)



CODE NNA-011-T70 LED (*)
Main material: Weathered brass
 Simply bollard **70cm weathered brass**
LED: 120° - 2700K - CRI>90
 6W - 400lm - 350mA (Driver included)



CODE NNA-013-T70 ALULED (*)
Main material: Stainless steel powder coated
 Simply bollard **70cm braungrau RAL 7013**
LED: 120° - 2700K - CRI>90
 6W - 400lm - 350mA (Driver included)



CODE NNA-014-T70 ALULED (*)
Main material: Stainless steel powder coated
 Simply bollard **70cm black RAL 9005**
LED: 120° - 2700K - CRI>90
 6W - 400lm - 350mA (Driver included)



CODE NNA-014-T70 DBLED (*)
Main material: Stainless steel powder coated
 Simply bollard **70cm dark bronze**
LED: 120° - 2700K - CRI>90
 6W - 400lm - 350mA (Driver included)



Simply bollard 90°



Simply bollard 90°



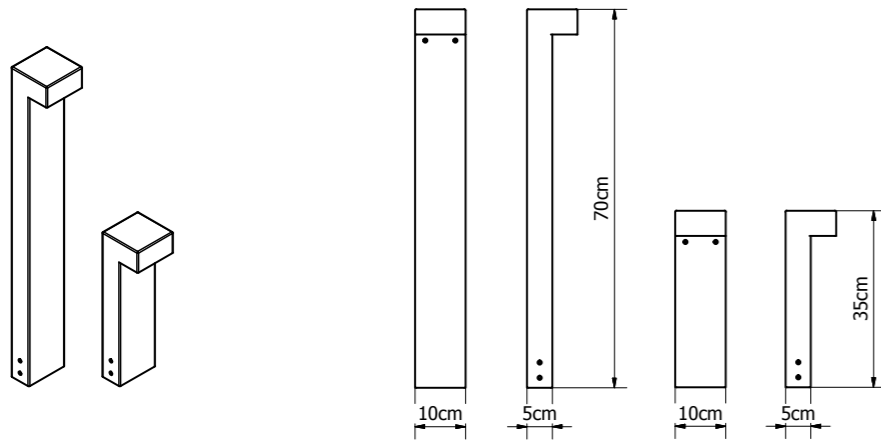
Nona|Simply Simply bollard 90°

General

Location: Exterior
Class: CE (Class III)
IP-rating: IP67
Driver included: Yes
Installation orientation: Ground

Main power: 220V-240V
Lamp included: Yes (Integral)
Dimmable: No (Dimmable on request)

Dimensions (mm): H: 700mm W: 100mm D: 100mm



Required options (*)

NNA-011-TBASE U-base for installation on paved surfaces
or
NNA-011-TPIC Ground spike for installation in loose ground

Option

NNA-CONVERTER350mA-24V Dimmable converter Nona|Simply, Output: 350mA, Input 24Vdc IP67

Models



CODE NNA-012-T35 LED (*)
Main material: Weathered brass
 Simply bollard 90° **35cm weathered brass**
LED: 120° - 2700K - CRI>90
 6W - 400lm - 350mA (Driver included)



CODE NNA-012-T70 LED (*)
Main material: Weathered brass
 Simply bollard 90° **70cm weathered brass**
LED: 120° - 2700K - CRI>90
 6W - 400lm - 350mA (Driver included)



CODE NNA-012-T70 INOXLED (*)
Main material: Stainless steel 316 brushed
 Simply bollard 90° **70cm brushed inox**
LED: 120° - 2700K - CRI>90
 6W - 400lm - 350mA (Driver included)



CODE NNA-013-T70 ALULED (*)
Main material: Stainless steel powder coated
 Simply bollard 90° **70cm braungrau RAL 7013**
LED: 120° - 2700K - CRI>90
 6W - 400lm - 350mA (Driver included)



CODE NNA-014-T70 ALULED (*)
Main material: Stainless steel powder coated
 Simply bollard 90° **70cm black RAL 9005**
LED: 120° - 2700K - CRI>90
 6W - 400lm - 350mA (Driver included)



CODE NNA-014-T70 DBLED (*)
Main material: Stainless steel powder coated
 Simply bollard 90° **70cm dark bronze**
LED: 120° - 2700K - CRI>90
 6W - 400lm - 350mA (Driver included)



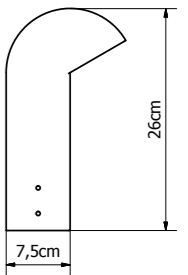
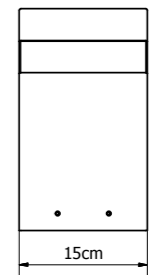
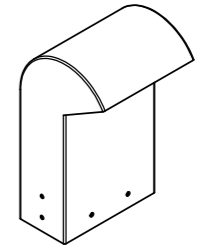
Nona|Simply Simply short

General

Location: Exterior
 Class: CE (Class III)
 IP-rating: IP67
 Driver included: Yes
 Installation orientation: Ground

Main power: 220V-240V
 Lamp included: Yes (Integral)
 Dimmable: No (Dimmable on request)

Dimensions (mm): H: 260mm W: 150mm D: 150mm



Models



CODE NNA-020-T20 LED (*)
 Main material: Weathered brass

Simply short **weathered brass**

LED: 120° - 2700K - CRI>90
 6W - 400lm - 350mA (Driver included)



CODE NNA-020-T20 ALULED (*)
 Main material: Stainless steel powder coated

Simply short **black RAL 9005**

LED: 120° - 2700K - CRI>90
 6W - 400lm - 350mA (Driver included)



CODE NNA-020-T20 DBLED (*)
 Main material: Stainless steel powder coated

Simply short **dark bronze**

LED: 120° - 2700K - CRI>90
 6W - 400lm - 350mA (Driver included)

Required options (*)

NNA-011-TBASE
 or
 NNA-011-TPIC

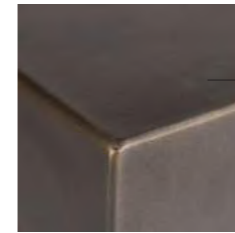
U-base for installation on paved surfaces

Ground spike for installation in loose ground

Option

NNA-CONVERTER350mA-24V

Dimmable converter Nona|Simply, Output: 350mA, Input 24Vdc IP67



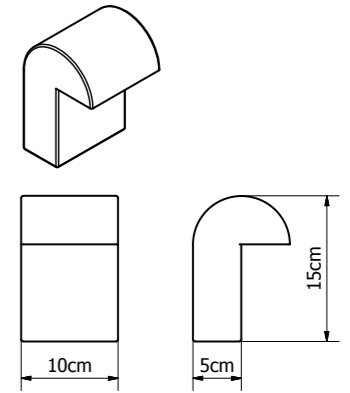
Nona|Simply Simply wall

General

Location: Exterior
 Class: CE (Class III)
 IP-rating: IP67
 Driver included: Yes
 Installation orientation: Wall

Main power: 220V-240V
 Lamp included: Yes (Integral)
 Dimmable: No (Dimmable on request)

Dimensions (mm): H: 150mm W: 100mm D: 100mm



Models



CODE NNA-017-T15 LED
 Main material: Weathered brass

Simply wall **weathered brass**

LED: 120° - 2700K - CRI>90
 6W - 400lm - 350mA (Driver included)



CODE NNA-017-T15 ALULED
 Main material: Stainless steel powder coated

Simply wall **braungrau RAL 7013**

LED: 120° - 2700K - CRI>90
 6W - 400lm - 350mA (Driver included)



CODE NNA-019-T15 ALULED
 Main material: Stainless steel powder coated

Simply wall **black RAL 9005**

LED: 120° - 2700K - CRI>90
 6W - 400lm - 350mA (Driver included)



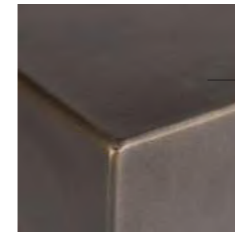
CODE NNA-019-T15 DBLED
 Main material: Stainless steel powder coated

Simply wall **dark bronze**

LED: 120° - 2700K - CRI>90
 6W - 400lm - 350mA (Driver included)



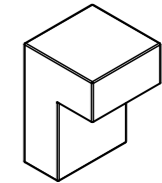
Simply wall 90°



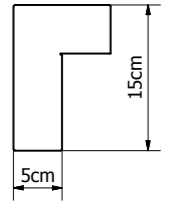
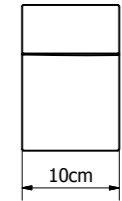
Nona|Simply Simply wall 90°

General

Location: Exterior
 Class: CE (Class III)
 IP-rating: IP67
 Driver included: Yes
 Installation orientation: Wall



Main power: 220V-240V
 Lamp included: Yes (Integral)
 Dimmable: No (Dimmable on request)



Dimensions (mm): H: 150mm W: 100mm D: 100mm

Models



CODE NNA-016-T15 LED
 Main material: Weathered brass

Simply wall 90° **weathered brass**

LED: 120° - 2700K - CRI>90
 6W - 400lm - 350mA (Driver included)



CODE NNA-016-T15 ALULED
 Main material: Stainless steel powder coated

Simply wall 90° **braungrau RAL 7013**

LED: 120° - 2700K - CRI>90
 6W - 400lm - 350mA (Driver included)



CODE NNA-018-T15 ALULED
 Main material: Stainless steel powder coated

Simply wall 90° **black RAL 9005**

LED: 120° - 2700K - CRI>90
 6W - 400lm - 350mA (Driver included)



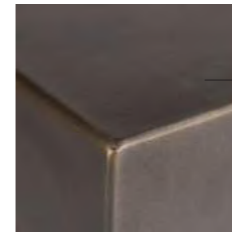
CODE NNA-018-T15 DBLED
 Main material: Stainless steel powder coated

Simply wall 90° **dark bronze**

LED: 120° - 2700K - CRI>90
 6W - 400lm - 350mA (Driver included)



Simply higa



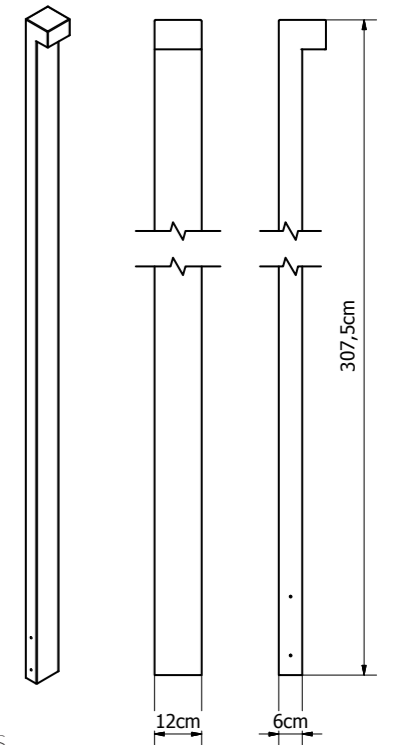
Nona|Simply Simply higa

General

Location: Exterior
 Class: CE (Class III)
 IP-rating: IP67
 Driver included: Yes
 Installation orientation: Ground

Main power: 220V-240V
 Lamp included: Yes (Integral)
 Dimmable: No (Dimmable on request)

Dimensions (mm): H: 3075mm (3500mm incl. groundpic)
 W: 120mm D: 120mm



Models



CODE NNA-012-T350 LED
 Main material: Weathered brass

Simply higa **weathered brass**

LED: 120° - 2700K - CRI>90
 16W - 1600lm - 350mA (Driver included)



CODE NNA-012-T350 ALULED
 Main material: Stainless steel powder coated

Simply higa **black RAL 9005**

LED: 120° - 2700K - CRI>90
 16W - 1600lm - 350mA (Driver included)



CODE NNA-012-T350 DBLED
 Main material: Stainless steel powder coated

Simply higa **dark bronze**

LED: 120° - 2700K - CRI>90
 16W - 1600lm - 350mA (Driver included)

Option

NNA-CONVERTER350mA-24V

Dimmable converter Nona|Simply, Output: 350mA, Input 24Vdc IP67

Simply pillar medium



Simply pillar medium



Nona|Simply

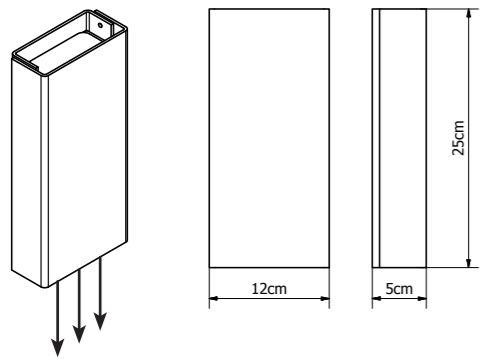
Simply pillar medium down

General

Location: Exterior
 Class: CE (Class III)
 IP-rating: IP67
 Driver included: Yes
 Installation orientation: Wall

Main power: 220V-240V
 Lamp included: Yes (Integral)
 Dimmable: No (Dimmable on request)

Dimensions (mm): H: 250mm W: 120mm D: 50mm



Models



CODE NNA-024-T25 LED
 Main material: Weathered brass

Simply pillar down 25cm **weathered brass**

LED: 120° - 2700K - CRI>90
 6W - 400lm - 350mA (Driver included)



CODE NNA-024-T25 INOXLED
 Main material: Stainless steel 316 brushed

Simply pillar down 25cm **brushed inox**

LED: 120° - 2700K - CRI>90
 6W - 400lm - 350mA (Driver included)



CODE NNA-027-T25 ALULED
 Main material: Stainless steel 316 high-gloss polished

Simply pillar down 25cm **chrome**

LED: 120° - 2700K - CRI>90
 6W - 400lm - 350mA (Driver included)



CODE NNA-025-T25 ALULED
 Main material: Stainless steel powder coated

Simply pillar down 25cm **black RAL 9005**

LED: 120° - 2700K - CRI>90
 6W - 400lm - 350mA (Driver included)



CODE NNA-026-T25 ALULED
 Main material: Stainless steel powder coated

Simply pillar down 25cm **white RAL 9016**

LED: 120° - 2700K - CRI>90
 6W - 400lm - 350mA (Driver included)



CODE NNA-029-T25 ALULED
 Main material: Stainless steel powder coated

Simply pillar down 25cm **braungrau RAL 7013**

LED: 120° - 2700K - CRI>90
 6W - 400lm - 350mA (Driver included)



CODE NNA-024-T25 DBLED
 Main material: Stainless steel powder coated

Simply pillar down 25cm **dark bronze**

LED: 120° - 2700K - CRI>90
 6W - 400lm - 350mA (Driver included)

Options

NNA-SIMPLY PILLAR-HC Anti-glare honeycomb black

NNA-CONVERTER350mA-24V Dimmable converter Nona|Simply, Output: 350mA, Input 24Vdc IP67



Nona|Simply

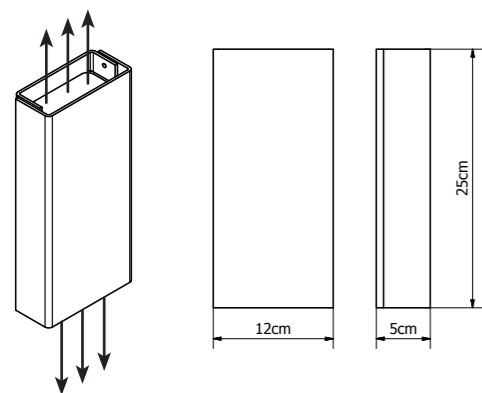
Simply pillar medium up/down

General

Location: Exterior
 Class: CE (Class III)
 IP-rating: IP67
 Driver included: Yes
 Installation orientation: Wall

Main power: 220V-240V
 Lamp included: Yes (Integral)
 Dimmable: No (Dimmable on request)

Dimensions (mm): H: 250mm W: 120mm D: 50mm



Models



CODE NNA-021-T25 LED
Main material: Weathered brass
 Simply pillar up/down 25cm **weathered brass**
LED: 120° - 2700K - CRI>90
 12W - 800lm - 350mA (Driver included)



CODE NNA-021-T25 INOXLED
Main material: Stainless steel 316 brushed
 Simply pillar up/down 25cm **brushed inox**
LED: 120° - 2700K - CRI>90
 12W - 800lm - 350mA (Driver included)



CODE NNA-023-T25 ALULED
Main material: Stainless steel 316 high-gloss polished
 Simply pillar up/down 25cm **chrome**
LED: 120° - 2700K - CRI>90
 12W - 800lm - 350mA (Driver included)



CODE NNA-021-T25 ALULED
Main material: Stainless steel powder coated
 Simply pillar up/down 25cm **black RAL 9005**
LED: 120° - 2700K - CRI>90
 12W - 800lm - 350mA (Driver included)



CODE NNA-022-T25 ALULED
Main material: Stainless steel powder coated
 Simply pillar up/down 25cm **white RAL 9016**
LED: 120° - 2700K - CRI>90
 12W - 800lm - 350mA (Driver included)



CODE NNA-028-T25 ALULED
Main material: Stainless steel powder coated
 Simply pillar up/down 25cm **braungrau RAL 7013**
LED: 120° - 2700K - CRI>90
 12W - 800lm - 350mA (Driver included)



CODE NNA-021-T25 DBLED
Main material: Stainless steel powder coated
 Simply pillar up/down 25cm **dark bronze**
LED: 120° - 2700K - CRI>90
 12W - 800lm - 350mA (Driver included)

Options

NNA-SIMPLY PILLAR-HC Anti-glare honeycomb black

NNA-CONVERTER350mA-24V Dimmable converter Nona|Simply, Output: 350mA, Input 24Vdc IP67

Simply pillar large



Simply pillar large





Nona|Simply

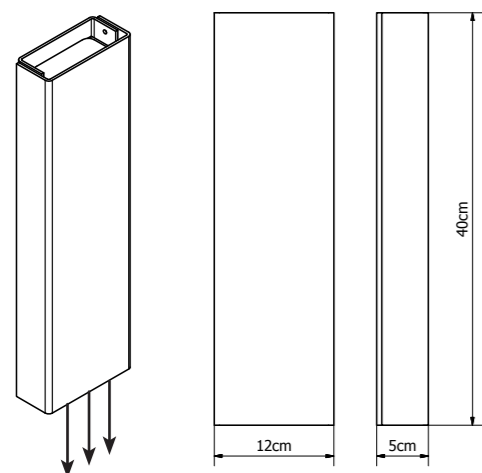
Simply pillar large down

General

Location: Exterior
 Class: CE (Class III)
 IP-rating: IP67
 Driver included: Yes
 Installation orientation: Wall

Main power: 220V-240V
 Lamp included: Yes (Integral)
 Dimmable: No (Dimmable on request)

Dimensions (mm): H: 400mm W: 120mm D: 50mm



Models



CODE NNA-024-T40 LED
 Main material: Weathered brass

Simply pillar down 40cm **weathered brass**

LED: 120° - 2700K - CRI>90
 6W - 400lm - 350mA (Driver included)



CODE NNA-024-T40 INOXLED
 Main material: Stainless steel 316 brushed

Simply pillar down 40cm **brushed inox**

LED: 120° - 2700K - CRI>90
 6W - 400lm - 350mA (Driver included)



CODE NNA-027-T40 ALULED
 Main material: Stainless steel 316 high-gloss polished

Simply pillar down 40cm **chrome**

LED: 120° - 2700K - CRI>90
 6W - 400lm - 350mA (Driver included)



CODE NNA-025-T40 ALULED
 Main material: Stainless steel powder coated

Simply pillar down 40cm **black RAL 9005**

LED: 120° - 2700K - CRI>90
 6W - 400lm - 350mA (Driver included)



CODE NNA-026-T40 ALULED
 Main material: Stainless steel powder coated

Simply pillar down 40cm **white RAL 9016**

LED: 120° - 2700K - CRI>90
 6W - 400lm - 350mA (Driver included)



CODE NNA-029-T40 ALULED
 Main material: Stainless steel powder coated

Simply pillar down 40cm **braungrau RAL 7013**

LED: 120° - 2700K - CRI>90
 6W - 400lm - 350mA (Driver included)



CODE NNA-024-T40 DBLED
 Main material: Stainless steel powder coated

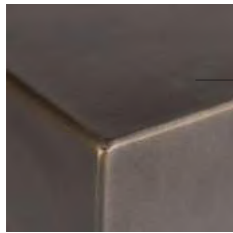
Simply pillar down 40cm **dark bronze**

LED: 120° - 2700K - CRI>90
 6W - 400lm - 350mA (Driver included)

Options

NNA-SIMPLY PILLAR-HC Anti-glare honeycomb black

NNA-CONVERTER350mA-24V Dimmable converter Nona|Simply, Output: 350mA, Input 24Vdc IP67



Nona|Simply

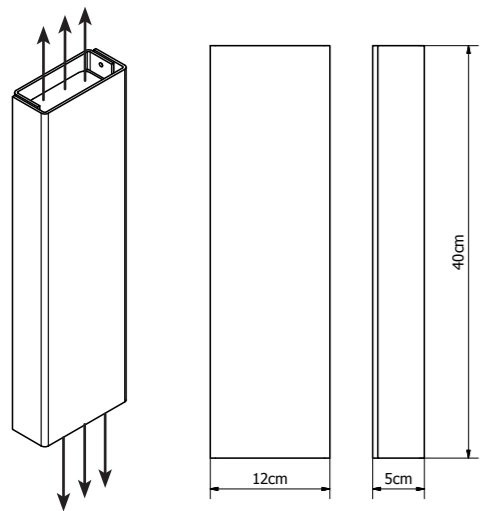
Simply pillar large up/down

General

Location: Exterior
Class: CE (Class III)
IP-rating: IP67
Driver included: Yes
Installation orientation: Wall

Main power: 220V-240V
Lamp included: Yes (Integral)
Dimmable: No (Dimmable on request)

Dimensions (mm): H: 400mm W: 120mm D: 50mm



Models



CODE NNA-021-T40 LED
Main material: Weathered brass
 Simply pillar up/down 40cm **weathered brass**
LED: 120° - 2700K - CRI>90
 12W - 800lm - 350mA (Driver included)



CODE NNA-021-T40 INOXLED
Main material: Stainless steel 316 brushed
 Simply pillar up/down 40cm **brushed inox**
LED: 120° - 2700K - CRI>90
 12W - 800lm - 350mA (Driver included)



CODE NNA-023-T40 ALULED
Main material: Stainless steel 316 high-gloss polished
 Simply pillar up/down 40cm **chrome**
LED: 120° - 2700K - CRI>90
 12W - 800lm - 350mA (Driver included)



CODE NNA-021-T40 ALULED
Main material: Stainless steel powder coated
 Simply pillar up/down 40cm **black RAL 9005**
LED: 120° - 2700K - CRI>90
 12W - 800lm - 350mA (Driver included)



CODE NNA-022-T40 ALULED
Main material: Stainless steel powder coated
 Simply pillar up/down 40cm **white RAL 9016**
LED: 120° - 2700K - CRI>90
 12W - 800lm - 350mA (Driver included)



CODE NNA-028-T40 ALULED
Main material: Stainless steel powder coated
 Simply pillar up/down 40cm **braungrau RAL 7013**
LED: 120° - 2700K - CRI>90
 12W - 800lm - 350mA (Driver included)



CODE NNA-021-T40 DBLED
Main material: Stainless steel powder coated
 Simply pillar up/down 40cm **dark bronze**
LED: 120° - 2700K - CRI>90
 12W - 800lm - 350mA (Driver included)

Options

NNA-SIMPLY PILLAR-HC

Anti-glare honeycomb black

NNA-CONVERTER350mA-24V

Dimmable converter Nona|Simply, Output: 350mA, Input 24Vdc IP67

A rooftop garden scene at dusk. In the foreground, a concrete patio with large square tiles leads to a series of wooden planters made from pallets, filled with various green plants. A tall, thin, vertical linear light fixture stands among the planters, emitting a warm glow. In the background, a low concrete wall separates the garden from a view of the ocean under a soft, twilight sky.

Mirror Collection

In 2013, the MIRROR series was added to our exterior lighting collection. With both a spotlight and a “linear” version, this product is a true innovation in the lighting market. Subtle, stylish and minimalist, this design fits perfectly into almost any environment.

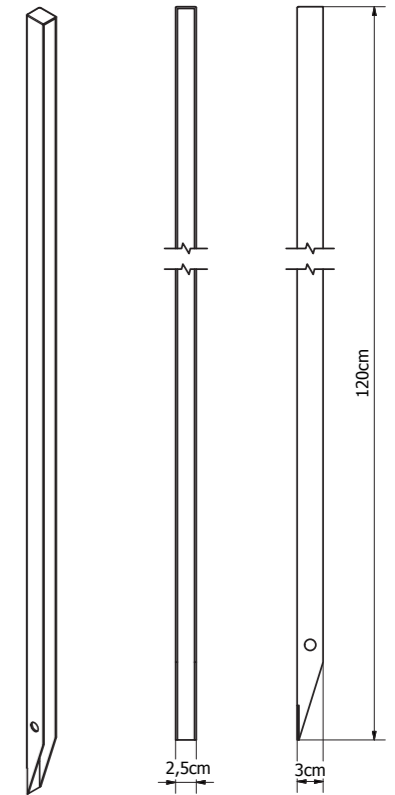
The subtly reflective high-gloss polished stainless steel 316L model, blends seamlessly into the environment.



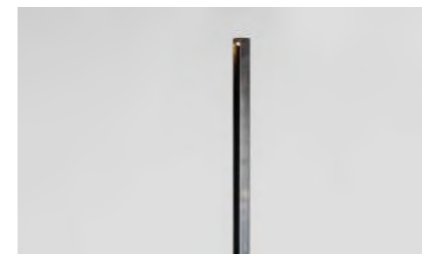
Mirror Spot

General

Location:	Exterior
Class:	CE (Class III)
IP-rating:	IP67
Driver included:	Yes
Installation orientation:	Ground
Main power:	220V-240V
Lamp included:	Yes (Integral)
Dimmable:	No (Dimmable on request)
Dimensions (mm):	H: 1200mm W: 30mm D: 25mm



Models



CODE MRR-001-120 S
Main material: Stainless steel 316 high-gloss polished

Mirror spot

LED: 30° - 2700K - CRI>90
 2W - 150lm - 350mA (Driver included)



CODE MRR-001-120 S PLUG
Main material: Stainless steel 316 high-gloss polished

Mirror plug spot

LED: 30° - 2700K - CRI>90
 2W - 150lm - 350mA (Driver included)

Option

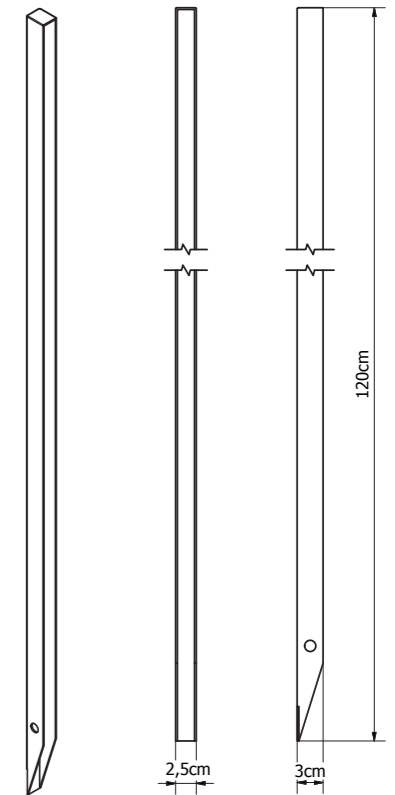
NNA-CONVERTER350mA-24V Dimmable converter Nona|Simply, Output: 350mA, Input 24Vdc IP67



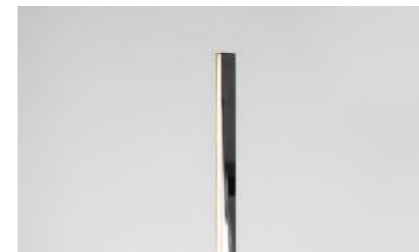
Mirror Lineair

General

Location:	Exterior
Class:	CE (Class III)
IP-rating:	IP67
Driver included:	Yes
Installation orientation:	Ground
Main power:	220V-240V
Lamp included:	Yes (Integral)
Dimmable:	No (Dimmable on request)
Dimensions (mm):	H: 1200mm W: 30mm D: 25mm



Models



CODE MRR-001-120 L
Main material: Stainless steel 316 high-gloss polished

Mirror **lineair**

LED: 120° - 2700K - CRI>96
 6W - 280lm - 24V (Driver included)



CODE MRR-001-120 L PLUG
Main material: Stainless steel 316 high-gloss polished

Mirror **plug lineair**

LED: 120° - 2700K - CRI>96
 6W - 280lm - 24V (Driver included)