

pvd concept®

Workbook 2022

(Indoor)

White Line.

pvd concept

In a nutshell

Patrik van Daele

Founder and passionate business manager

Patrik van Daele was born on 26 October 1964 in Brasschaat into a warm family with four children. As the son of a professor at the University of Antwerp, he began his school career at St. Michael's College close to home.

It soon became clear that Patrik's interests were mainly in the practical fields. So, filled with conviction, he switched to technical training on Londenstraat in Antwerp. There he graduated aged 18 in electromechanics, followed by one year of compulsory military service.

His first work experience came at an installation company in the region, and after just one year he chased his true dream and started working as a self-employed electrician. From the very beginning of his professional career, there was already a love for the production of lighting, in which he began to specialise more and more.



The origin of pvd concept

Pvd concept was founded in 1986 with the ambitious mission of marketing products that were not yet available in the lighting world.

Demand for these products grew steadily, thanks to their uniqueness and innovative character. After all, everything started in a small cellar of just a few square metres in his own private home in Kapellen. This successful adventure grew year by year, with the result that he was able to move into ever larger production facilities.

One fun fact is that one of the very first designs (NONA) was named after Patrik's favourite band in his youth. NONA is still one of the most popular models in our range and can be found all over the world.



A dynamic family business

In 2013, the youngest son (Tobias van Daele) joined the company, followed by the oldest son (Dieter van Daele) in 2018.

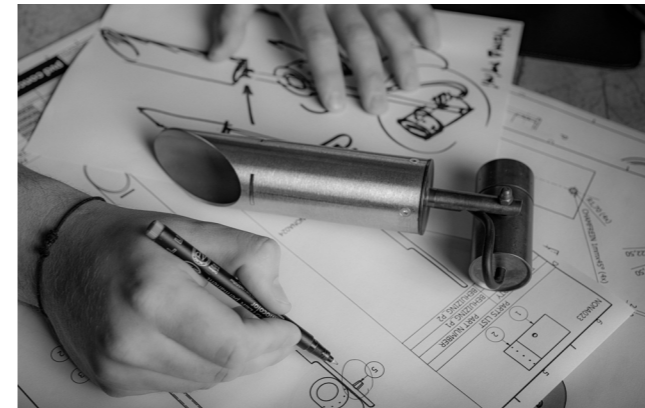
Over the years, thanks to a number of enthusiastic employees, additional reinforcement was added, both in production and in the office. For some years now, we have been a young and dynamic family business, where the will to grow together and become stronger is prominent.



International

Pvd concept began to write a success story in the Benelux thanks to good contacts and collaborations with architects, lighting planners and lighting shops. Following the emergence of a great many social media channels in the last decade, the company has also jumped on the trend to inform the world about its wide range of products and services.

Currently, pvd concept is active in more than 40 countries and on various social media such as Facebook, Instagram, Pinterest, LinkedIn and Architonic (a design and architecture platform).



Made in Belgium

Pvd concept is extremely proud that all products are 100% made in Belgium.

Partly because of this, the company will move to a new and state-of-the-art production facility in 2022.

This will allow even more to be achieved in-house without being dependent on suppliers.

Custom Made

A good 30% of worldwide sales of pvd concept's products are "custom made". This usually involves existing fixtures from the range that are specifically adapted to the customer's needs.

But completely new fixtures tailored to the customer's wishes are also possible.

Since day one, this has been one of the company's most important assets.

Mission & vision

To date, the aim is still to follow its own path, to bring new products to market and to be less dependent on suppliers in the coming years.

To strive for quality over quantity by taking even more steps of the production process under its own management. By being present in ever more different countries and continents in the coming years, we want to exploit these assets further in our export activities.

Worldwide, we are happy to reach out to architects and lighting planners to work more closely together, and to help us as an innovative company delve deeper into their ambitious and original projects.





White Line Content

| | |
|---------------------------------|------------|
| Tubsi | 69 |
| Dotsi | 71 |
| Slot standard fixtures | 75 |
| Slot trimless | 77 |
| Slot in | 85 |
| Slot down | 95 |
| Slot up/down | 102 |
| Slot small | 107 |
| Slot customised fixtures | 116 |
| Slot track | 121 |
| Slot trimless | 128 |
| Slot in | 132 |
| Slot small | 136 |
| Nis | 146 |
| AR48 | 153 |
| Uno small | 156 |
| Duo small | 160 |
| Uno | 164 |
| Duo | 168 |
| Tetra | 172 |
| Quadra line | 176 |
| Quadra | 180 |
| Long | 184 |
| XL | 187 |
| AR70 | 191 |
| Uno small | 196 |
| Duo small | 197 |
| Duo | 198 |
| Tetra | 199 |
| Quadra line | 200 |
| Quadra | 201 |
| AR111 | 203 |
| Duo small | 209 |
| Uno | 210 |
| Duo | 211 |
| Tetra | 212 |
| Quadra | 213 |
| Fix | 217 |
| Wall | 219 |
| Appendix | 222 |



White Line Collection

In 2004, pvd concept began developing fittings for its own interior lighting collection.

The White Line collection began with surface-mounted fittings - subtle and unobtrusive due to their limited height - yet adjustable.

Since 2016, this collection has been expanded with a special series characterised by low-power LEDs as central design elements. The range of surface-mounted lights was then supplemented by recessed lights, both with and without a trim.

In addition to the standard models, this SLOT range is also available on a custom basis in terms of colour, length and light colour. The possibilities are almost endless. Due to its unobtrusive design, this range almost always fits perfectly into any existing environment.


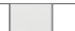





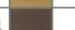





The White Line collection is divided into 7 series.



White Line Tubsi

Code configurator

Code configurator

| WL + MODEL | Tube | Colour rod | Length rod | CCT |
|------------|--|--|----------------|----------|
| WLTUBSI | 01  White RAL9016 | 01  White RAL9016 | 01 0 - 100cm | 01 2700K |
| | 02  Ano black | 02  Ano black | 02 101 - 150cm | 02 DTW |
| | 03  Ano champagne | 03  Ano champagne | 03 151 - 200cm | |
| | 04  Ano bronze | 04  Ano bronze | 04 201 - 250cm | |
| | 05  Travertin | | | |
| | 06  White marble | | | |
| | 07  Black marble | | | |
| | 08  Black oak | | | |
| | 09  Walnut | | | |

Example

WLTUBSI 02020202

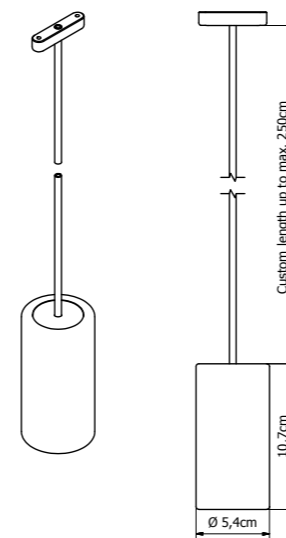
Tubsi | Tube: ano black | Rod: ano black | Rod length: between 101-150cm | LED: DTW

General

Location: Interior
Class: CE (Class I)
IP-rating: IP20
Driver included: Yes
Installation orientation: Only compatible with one of the Slot profiles or custom ceiling plate

Main power: 220V-240V
Lamp included: Yes
Dimmable: Yes
Dimming method: Mains dimmable (Other options on request)

Dimensions (mm): Tube Ø: 54mm H: 107mm
 Rod Ø: 5mm H: Custom length up to max. 2500mm



LED 2700K version:
 2700K - CRI>97 - 60°
 LED 4W - 400lm - 350mA

LED Dim to warm version:
 2800K-1800K - CRI>95 - 60°
 LED 4W - 480lm - 250mA



White Line Dotsi

Code configurator

Code configurator

| | | | | | | | | | | |
|---------|----|--------|----|---------------|----|----------------------|----|---------------|----|-------|
| WLDOTSI | 01 | ø 38mm | 01 | White RAL9016 | 01 | Antiglare tube short | 01 | White RAL9016 | 01 | 2700K |
| | | | 02 | Ano black | 02 | Spot tube short | 02 | Ano black | 02 | 3000K |
| | | | 03 | Ano champagne | 03 | Antiglare tube long | 03 | Ano champagne | 03 | 4000K |
| | | | 04 | Ano bronze | 04 | Spot tube long | 04 | Ano bronze | | |

Example

WLDOTSI

Dotsi ø38mm | housing: ANO BL | frontring 1: ANO BL | 8W LED 2700K 24V | excl. lens

Required option

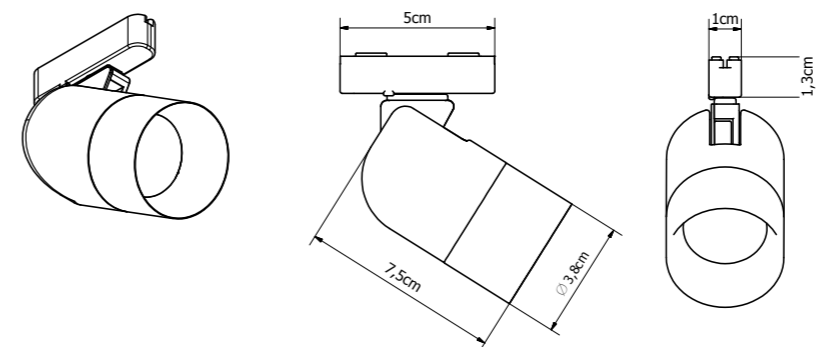
- WL DOTSI 01LENS01 Lens for Dotsi ø38mm - 15°
- WL DOTSI 01LENS02 Lens for Dotsi ø38mm - 20°
- WL DOTSI 01LENS03 Lens for Dotsi ø38mm - 30°
- WL DOTSI 01LENS04 Lens for Dotsi ø38mm - 40°
- WL DOTSI 01LENS05 Lens for Dotsi ø38mm - 45x20°
- WL DOTSI 01LENS06 Lens for Dotsi ø38mm - Wallwasher

General

- Location: Interior
- Class: CE (Class I)
- IP-rating: IP20
- Driver included: Yes
- Installation orientation: Only compatible with one of the Slot profiles + magnetic rail

- Lamp included: Yes
- Dimmable: Yes
- Dimming method: Mains dimmable, 1-10V, DALI

Dimensions (mm): Ø: 38mm L: 75mm



White Line Dotsi

Models



CODE USE THE CODE CONFIGURATOR
Main material: Aluminium powder coated / anodised

White Line Dotsi 38mm **2700K**

2700K - CRI>97
 8W - 450lm - 24V



CODE USE THE CODE CONFIGURATOR
Main material: Aluminium powder coated / anodised

White Line Dotsi 38mm **3000K**

3000K - CRI>97
 8W - 480lm - 24V

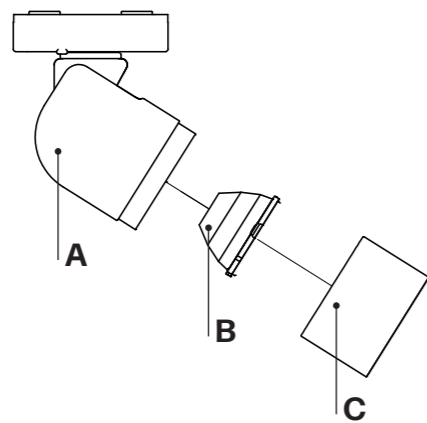
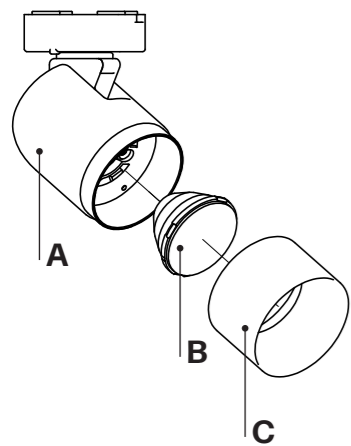


CODE USE THE CODE CONFIGURATOR
Main material: Aluminium powder coated / anodised

White Line Dotsi 38mm **4000K**

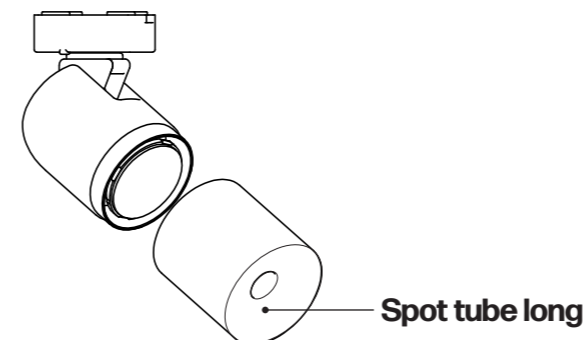
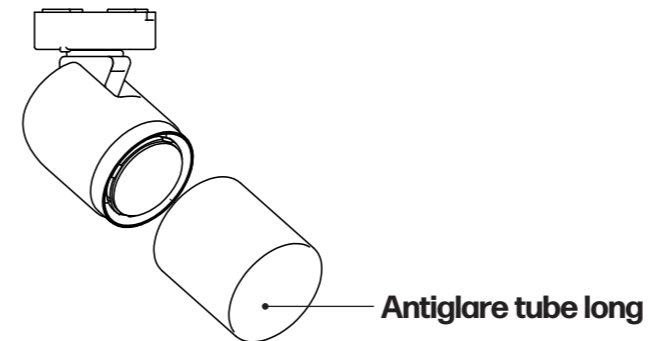
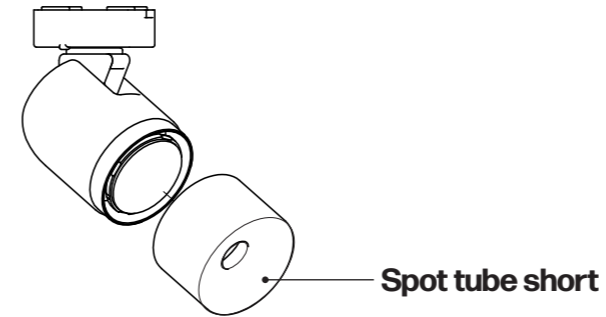
4000K - CRI>97
 8W - 530lm - 24V

Summary dotsi basic parts



- A: Dotsi housing
- B: Dotsi lens
- C: Dotsi frontring

Frontrings



White Line slot

Standard fixtures



White Line Slot trimless

Code configurator

Code configurator

| WL + MODEL | Length | | Colour | | CCT | Beam angle | | IP-value | | |
|------------|--------|--------|--------|------------------|-----|------------|----|----------|----|------|
| WLSLT | 00 | 82mm | 01 | White RAL9016 | 01 | 2700K | 01 | 24° | 01 | IP44 |
| | 01 | 250mm | 02 | Black RAL9005 | 02 | 3000K | 02 | 36° | 02 | IP20 |
| | 02 | 500mm | | | | | 03 | 80° | | |
| | 03 | 1600mm | | | | | | | | |
| | 04 | 2100mm | | | | | | | | |
| | 05 | 3100mm | | | | | | | | |

Example

WLSLT 0101010101

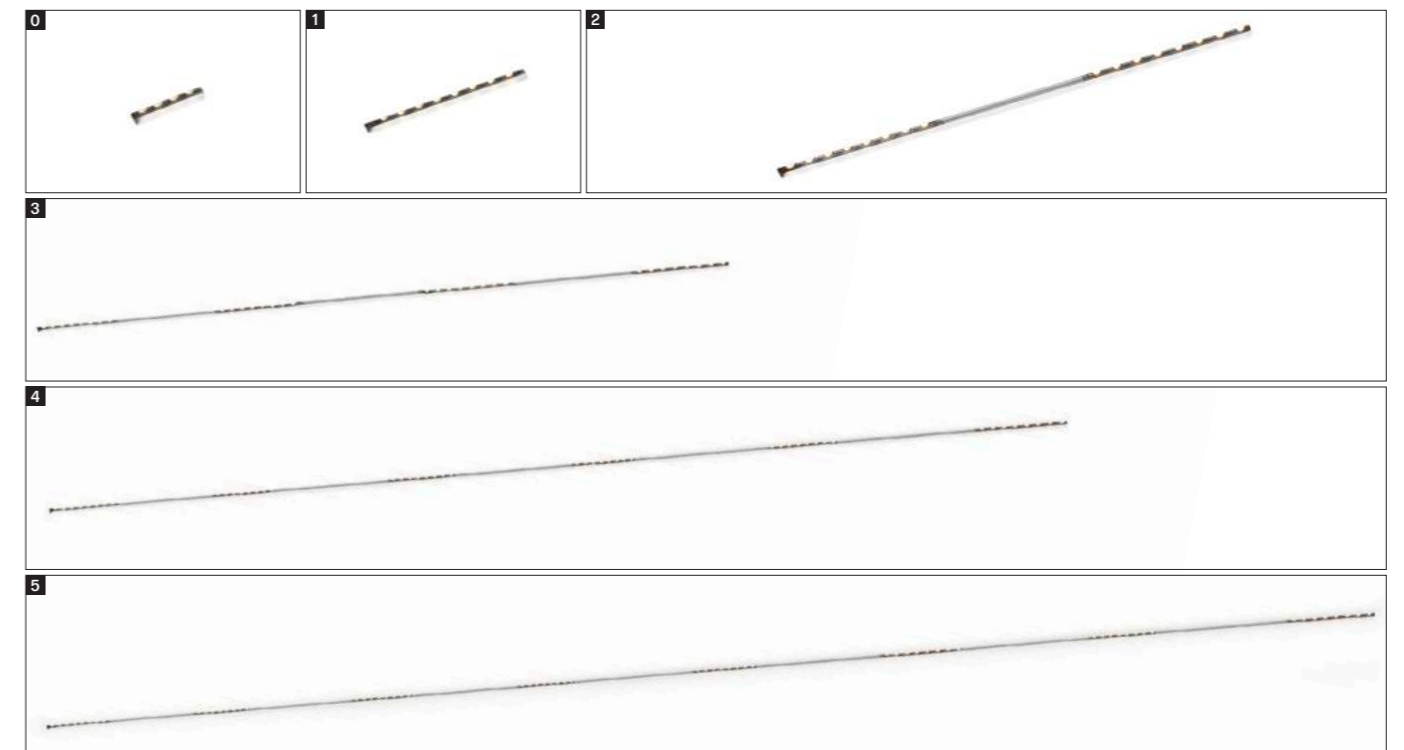
SL TRIMLESS 250mm (vis. 150mm) | White | 8W 2700K 24° 24Vdc IP44 Excl. driver

Custom made

Slot Trimless is available in custom lengths up to 6 meters in all RAL and anodizing colors. The number of LED modules and the position can also be chosen for customisation. In addition, 2200K and 4000K is possible on request.

All slot models are also compatible with DOTSI and TUBSI. We can integrate magnetic rail in our slot fixtures. Here you can also choose the length, number and position of the rails.

Please check the custom code configurator (p. 128) or contact pvd concept for more information.



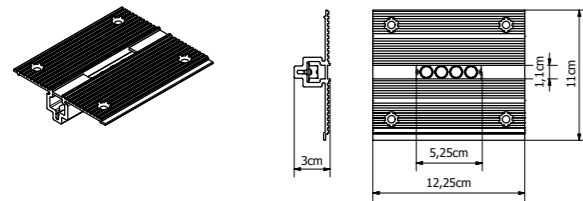
White Line Slot trimless mini

General

Location: Bathroom / Interior
Class: CE (Class II)
IP-rating: IP44 / IP20
Driver included: No (See driver matrix page 222-229 for all possibilities)
Installation orientation: Ceiling mount

Main power: 24V
Lamp included: Yes
Dimmable: Yes
Dimming method: See driver matrix for all possibilities

Dimensions (mm): H: 122,5mm W: 110mm D: 30mm
Cut out hole (mm): 127,5mm x 115mm
Recess depth (mm): 35mm



Models



CODE USE THE CODE CONFIGURATOR (page 77)

Main material: Aluminium powder coated

White Line Slot trimless **mini (vis. length 52mm) 2700K**

LED: 2700K - CRI>90 - 24°/36°/80°
 1xLED 4W - 395lm - 24V (Driver excluded)



CODE USE THE CODE CONFIGURATOR (page 77)

Main material: Aluminium powder coated

White Line Slot trimless **mini (vis. length 52mm) 3000K**

LED: 3000K - CRI>90 - 24°/36°/80°
 1xLED 4W - 420lm - 24V (Driver excluded)

Option

WL SLT ICOUSTIC CM

Installation kit acoustic ceiling **fade** (Fibreglass Board Thickness 40mm)

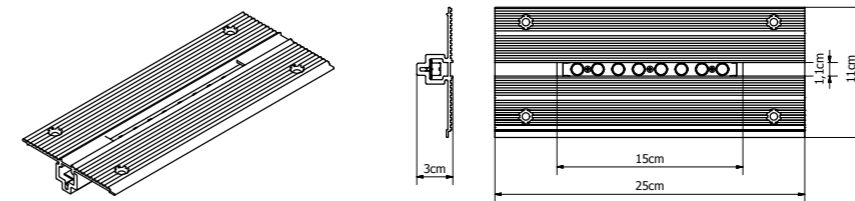
White Line Slot trimless 250

General

Location: Bathroom / Interior
Class: CE (Class II)
IP-rating: IP44 / IP20
Driver included: No (See driver matrix page 222-229 for all possibilities)
Installation orientation: Ceiling mount

Main power: 24V
Lamp included: Yes
Dimmable: Yes
Dimming method: See driver matrix for all possibilities

Dimensions (mm): H: 250mm W: 110mm D: 30mm
Cut out hole (mm): 255mm x 115mm
Recess depth (mm): 35mm



Models



CODE USE THE CODE CONFIGURATOR (page 77)

Main material: Aluminium powder coated

White Line Slot trimless **250mm (vis. length 150mm) 2700K**

LED: 2700K - CRI>90 - 24°/36°/80°
 1xLED 8W - 790lm - 24V (Driver excluded)



CODE USE THE CODE CONFIGURATOR (page 77)

Main material: Aluminium powder coated

White Line Slot trimless **250mm (vis. length 150mm) 3000K**

LED: 3000K - CRI>90 - 24°/36°/80°
 1xLED 8W - 840lm - 24V (Driver excluded)

Option

WL SLT ICOUSTIC CM

Installation kit acoustic ceiling **fade** (Fibreglass Board Thickness 40mm)

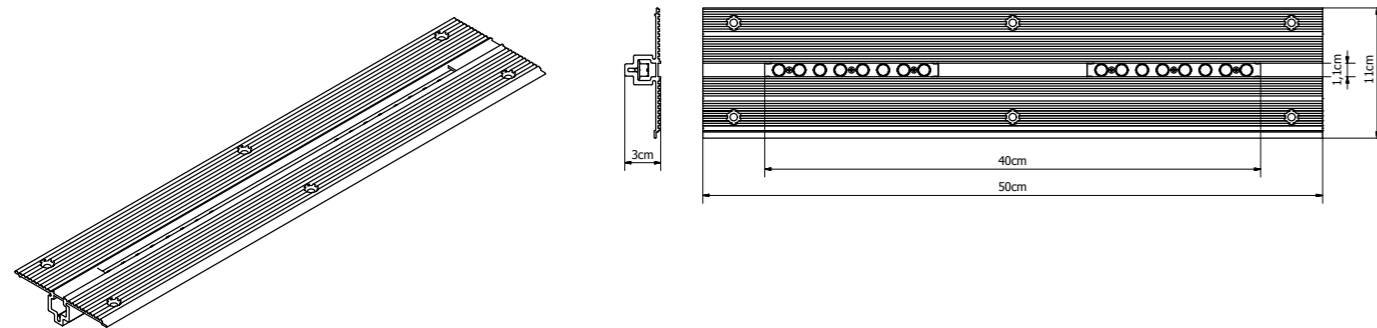
White Line Slot trimless 500

General

Location: Bathroom / Interior
Class: CE (Class II)
IP-rating: IP44 / IP20
Driver included: No (See driver matrix page 222-229 for all possibilities)
Installation orientation: Ceiling mount

Main power: 24V
Lamp included: Yes
Dimmable: Yes
Dimming method: See driver matrix for all possibilities

Dimensions (mm): H: 500mm W: 110mm D: 30mm
Cut out hole (mm): 505mm x 115mm
Recess depth (mm): 35mm



Models



CODE USE THE CODE CONFIGURATOR (page 77)

Main material: Aluminium powder coated

White Line Slot trimless **500mm (vis. length 400mm) 2700K**

LED: 2700K - CRI>90 - 24°/36°/80°
 2xLED 8W - 1580lm - 24V (Driver excluded)



CODE USE THE CODE CONFIGURATOR (page 77)

Main material: Aluminium powder coated

White Line Slot trimless **500mm (vis. length 400mm) 3000K**

LED: 3000K - CRI>90 - 24°/36°/80°
 2xLED 8W - 1680lm - 24V (Driver excluded)

Option

WL SLT ICOUSTIC CM

Installation kit acoustic ceiling **fade** (Fibreglass Board Thickness 40mm)

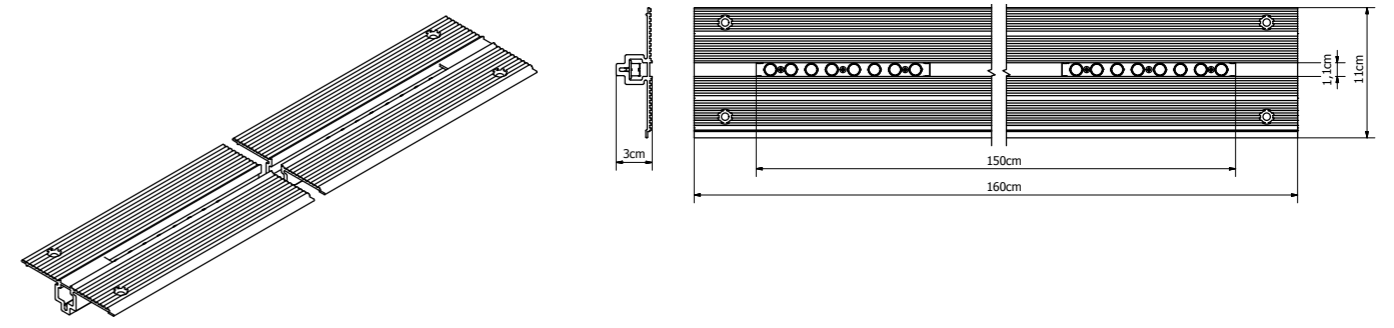
White Line Slot trimless 1600

General

Location: Bathroom / Interior
Class: CE (Class II)
IP-rating: IP44 / IP20
Driver included: No (See driver matrix page 222-229 for all possibilities)
Installation orientation: Ceiling mount

Main power: 24V
Lamp included: Yes
Dimmable: Yes
Dimming method: See driver matrix for all possibilities

Dimensions (mm): H: 1600mm W: 110mm D: 30mm
Cut out hole (mm): 1605mm x 115mm
Recess depth (mm): 35mm



Models

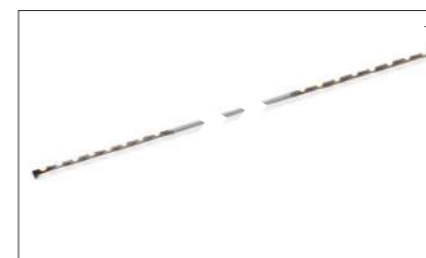


CODE USE THE CODE CONFIGURATOR (page 77)

Main material: Aluminium powder coated

White Line Slot trimless **1600mm (vis. length 1500mm) 2700K**

LED: 2700K - CRI>90 - 24°/36°/80°
 4xLED 8W - 3170lm - 24V (Driver excluded)



CODE USE THE CODE CONFIGURATOR (page 77)

Main material: Aluminium powder coated

White Line Slot trimless **1600mm (vis. length 1500mm) 3000K**

LED: 3000K - CRI>90 - 24°/36°/80°
 4xLED 8W - 3360lm - 24V (Driver excluded)

Option

WL SLT ICOUSTIC CM

Installation kit acoustic ceiling **fade** (Fibreglass Board Thickness 40mm)

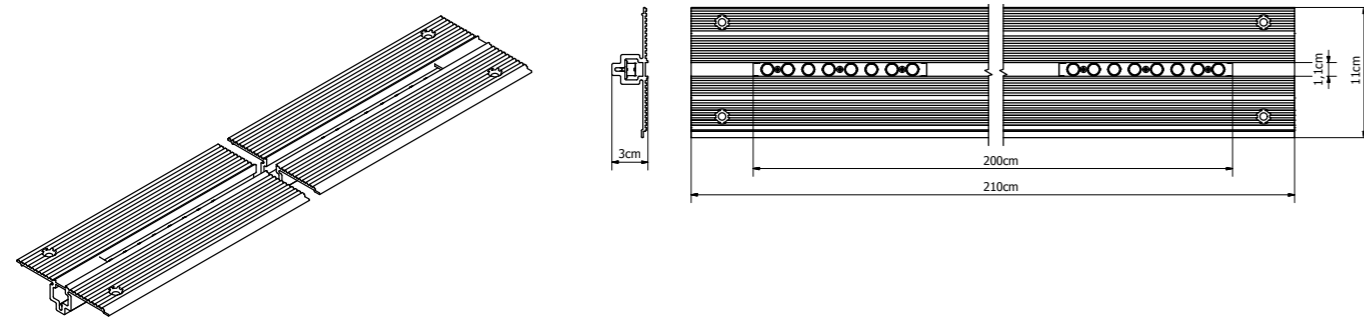
White Line Slot trimless 2100

General

Location: Bathroom / Interior
Class: CE (Class II)
IP-rating: IP44 / IP20
Driver included: No (See driver matrix page 222-229 for all possibilities)
Installation orientation: Ceiling mount

Main power: 24V
Lamp included: Yes
Dimmable: Yes
Dimming method: See driver matrix for all possibilities

Dimensions (mm): H: 2100mm W: 110mm D: 30mm
Cut out hole (mm): 2105mm x 115mm
Recess depth (mm): 35mm



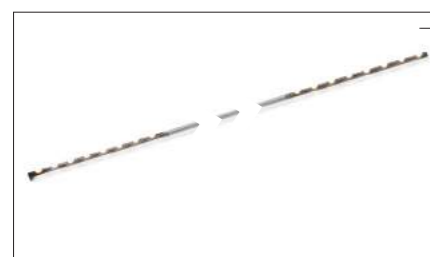
Models



CODE USE THE CODE CONFIGURATOR (page 77)
Main material: Aluminium powder coated

White Line Slot trimless **2100mm (vis. length 2000mm) 2700K**

LED: 2700K - CRI>90 - 24°/36°/80°
 6xLED 8W - 4750lm - 24V (Driver excluded)



CODE USE THE CODE CONFIGURATOR (page 77)
Main material: Aluminium powder coated

White Line Slot trimless **2100mm (vis. length 2000mm) 3000K**

LED: 3000K - CRI>90 - 24°/36°/80°
 6xLED 8W - 5040lm - 24V (Driver excluded)

Option

WL SLT ICOUSTIC CM

Installation kit acoustic ceiling **fade** (Fibreglass Board Thickness 40mm)

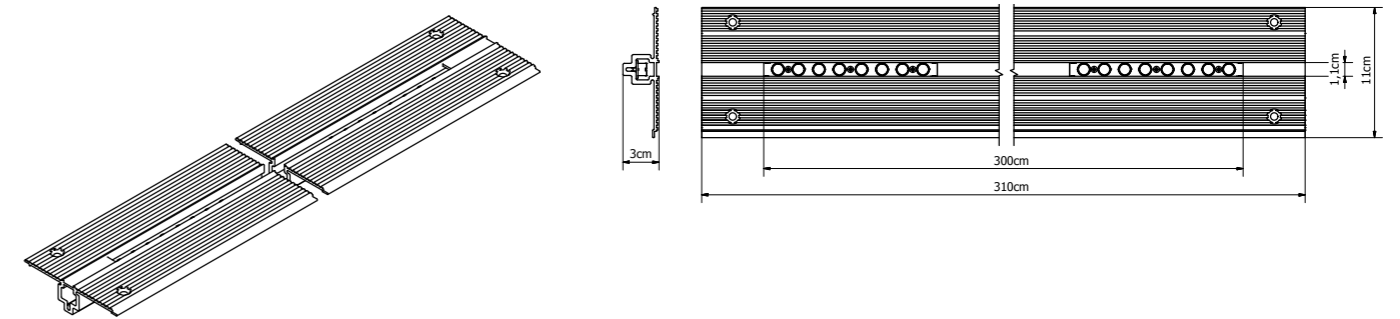
White Line Slot trimless 3100

General

Location: Bathroom / Interior
Class: CE (Class II)
IP-rating: IP44 / IP20
Driver included: No (See driver matrix page 222-229 for all possibilities)
Installation orientation: Ceiling mount

Main power: 24V
Lamp included: Yes
Dimmable: Yes
Dimming method: See driver matrix for all possibilities

Dimensions (mm): H: 3100mm W: 110mm D: 30mm
Cut out hole (mm): 3105mm x 115mm
Recess depth (mm): 35mm



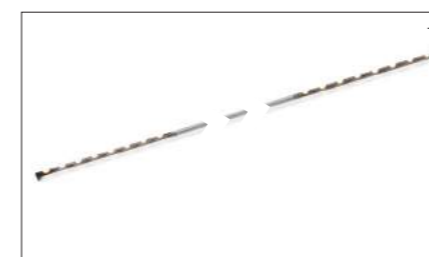
Models



CODE USE THE CODE CONFIGURATOR (page 77)
Main material: Aluminium powder coated

White Line Slot trimless **3100mm (vis. length 3000mm) 2700K**

LED: 2700K - CRI>90 - 24°/36°/80°
 8xLED 8W - 6330lm - 24V (Driver excluded)



CODE USE THE CODE CONFIGURATOR (page 77)
Main material: Aluminium powder coated

White Line Slot trimless **3100mm (vis. length 3000mm) 3000K**

LED: 3000K - CRI>90 - 24°/36°/80°
 8xLED 8W - 6720lm - 24V (Driver excluded)

Option

WL SLT ICOUSTIC CM

Installation kit acoustic ceiling **fade** (Fibreglass Board Thickness 40mm)



White Line Slot in Code configurator

Code configurator

| WL + MODEL | Length | | Colour | | CCT | Beam angle | | IP-value | | |
|------------|--------|--------|--------|-------------------|-----|------------|----|----------|----|------|
| WLSLIN | 00 | 82mm | 01 | White RAL 9016 | 01 | 2700K | 01 | 24° | 01 | IP44 |
| | 01 | 180mm | 02 | Black RAL 9005 | 02 | 3000K | 02 | 36° | 02 | IP20 |
| | 02 | 430mm | 03 | Ano CHAMPAGNE | | | 03 | 80° | | |
| | 03 | 1500mm | 04 | Ano BRONZE | | | | | | |
| | 04 | 2000mm | 05 | Ano BLACK | | | | | | |
| | 05 | 3000mm | | | | | | | | |

Example

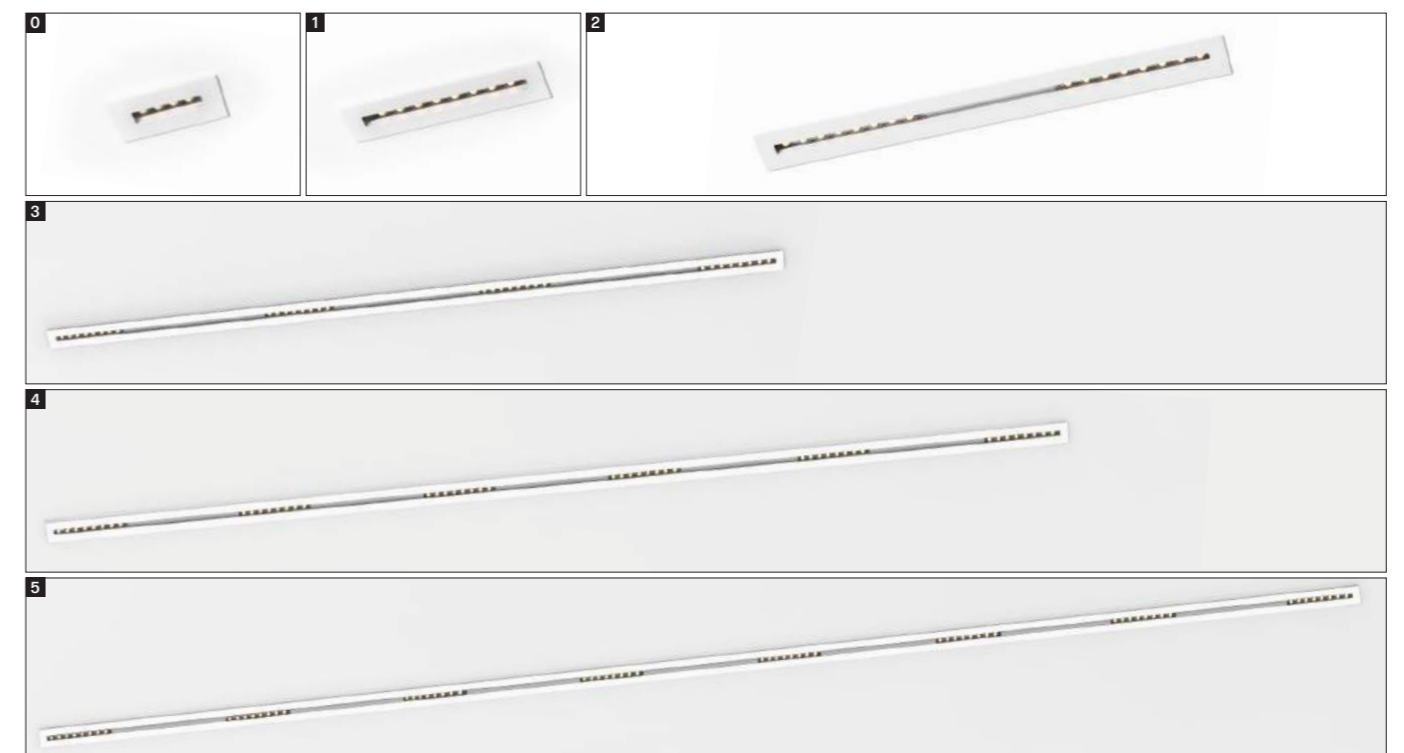
WLSLIN 0101010101
SL IN 180mm | White | 8W 2700K 24° 350mA IP44 Excl. driver

Custom made

Slot in is available in custom lengths up to 6 meters in all RAL and anodizing colors. The number of LED modules and the position can also be chosen for customisation. In addition, 2200K and 4000K is possible on request.

All slot models are also compatible with DOTSI and TUBSI. We can integrate magnetic rail in our slot fixtures. Here you can also choose the length, number and position of the rails.

Please check the custom code configurator (p. 132) or contact pvd concept for more information.



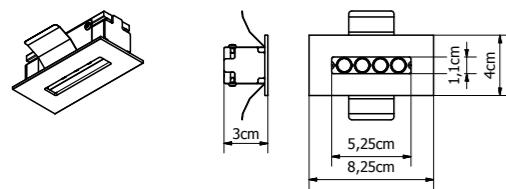
White Line Slot in mini

General

Location: Bathroom / Interior
Class: CE (Class II)
IP-rating: IP44 / IP20
Driver included: No (See driver matrix page 222-229 for all possibilities)
Installation orientation: Ceiling mount

Main power: 350mA
Lamp included: Yes
Dimmable: Yes
Dimming method: See driver matrix for all possibilities

Dimensions (mm): H: 82,5mm W: 40mm D: 30mm
Cut out hole (mm): 78mm x 32mm
Recess depth (mm): 35mm



Models



CODE USE THE CODE CONFIGURATOR (page 85)
Main material: Aluminium powder coated / anodized

White Line Slot in **mini 2700K**

LED: 2700K - CRI>90 - 24°/36°/80°
 1xLED 4W - 395lm - 350mA (Driver excluded)



CODE USE THE CODE CONFIGURATOR (page 85)
Main material: Aluminium powder coated / anodized

White Line Slot in **mini 3000K**

LED: 3000K - CRI>90 - 24°/36°/80°
 1xLED 4W - 420lm - 350mA (Driver excluded)

Option

WL SLOT PK MINI

Plasterkit for concrete ceiling (mini)

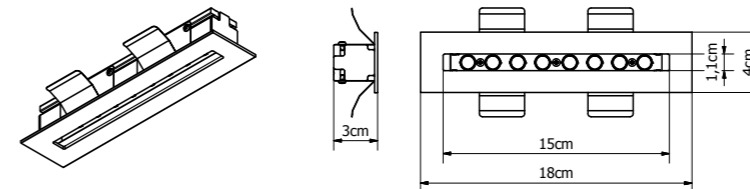
White Line Slot in 180

General

Location: Bathroom / Interior
Class: CE (Class II)
IP-rating: IP44 / IP20
Driver included: No (See driver matrix page 222-229 for all possibilities)
Installation orientation: Ceiling mount

Main power: 350mA
Lamp included: Yes
Dimmable: Yes
Dimming method: See driver matrix for all possibilities

Dimensions (mm): H: 180mm W: 40mm D: 30mm
Cut out hole (mm): 165mm x 32mm
Recess depth (mm): 35mm



Models



CODE USE THE CODE CONFIGURATOR (page 85)
Main material: Aluminium powder coated / anodized

White Line Slot in **180mm 2700K**

LED: 2700K - CRI>90 - 24°/36°/80°
 1xLED 8W - 790lm - 350mA (Driver excluded)



CODE USE THE CODE CONFIGURATOR (page 85)
Main material: Aluminium powder coated / anodized

White Line Slot in **180mm 3000K**

LED: 3000K - CRI>90 - 24°/36°/80°
 1xLED 8W - 840lm - 350mA (Driver excluded)

Option

WL SLOT PK180

Plasterkit for concrete ceiling (180mm)

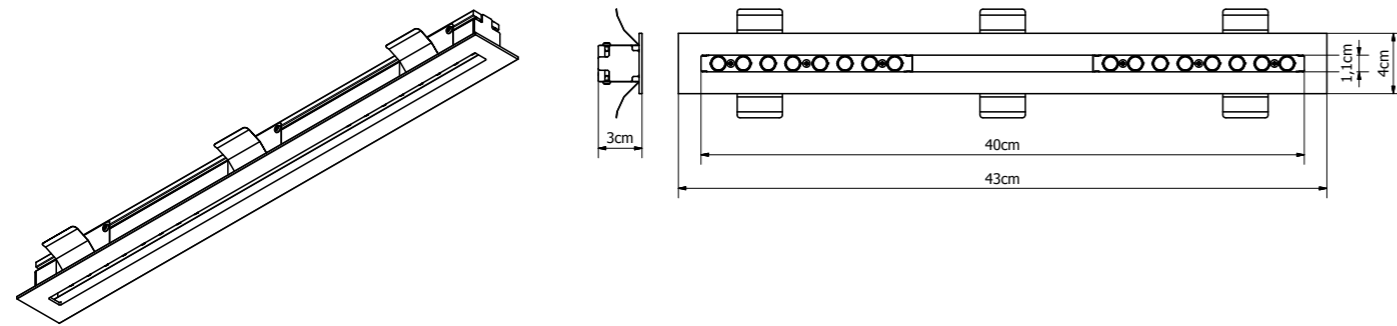
White Line Slot in 430

General

Location: Bathroom / Interior
Class: CE (Class II)
IP-rating: IP44 / IP20
Driver included: No (See driver matrix page 222-229 for all possibilities)
Installation orientation: Ceiling mount

Main power: 350mA
Lamp included: Yes
Dimmable: Yes
Dimming method: See driver matrix for all possibilities

Dimensions (mm): H: 430mm W: 40mm D: 30mm
Cut out hole (mm): 415mm x 32mm
Recess depth (mm): 35mm



Models



CODE USE THE CODE CONFIGURATOR (page 85)
Main material: Aluminium powder coated / anodized

White Line Slot in **430mm 2700K**

LED: 2700K - CRI>90 - 24°/36°/80°
 2xLED 8W - 1580lm - 350mA (Driver excluded)



CODE USE THE CODE CONFIGURATOR (page 85)
Main material: Aluminium powder coated / anodized

White Line Slot in **430mm 3000K**

LED: 3000K - CRI>90 - 24°/36°/80°
 2xLED 8W - 1680lm - 350mA (Driver excluded)

Option

WL SLOT PK CM Plasterkit for concrete ceiling (per cm)

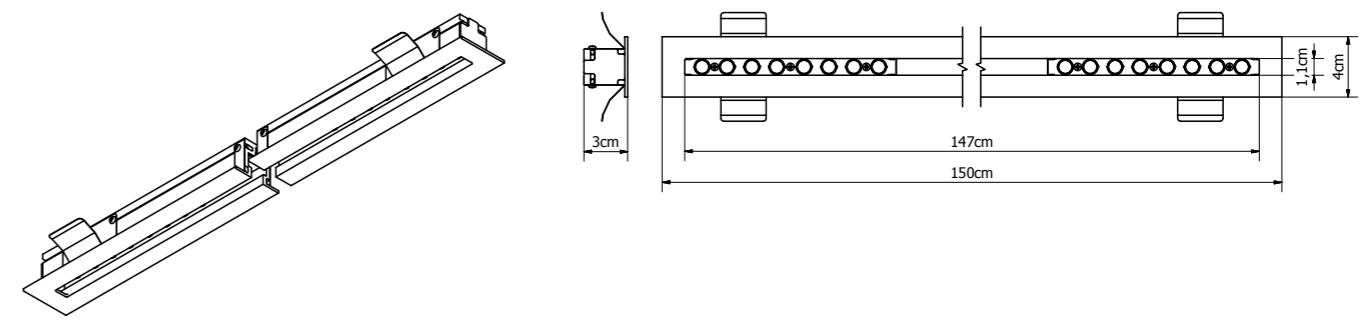
White Line Slot in 1500

General

Location: Bathroom / Interior
Class: CE (Class II)
IP-rating: IP44 / IP20
Driver included: No (See driver matrix page 222-229 for all possibilities)
Installation orientation: Ceiling mount

Main power: 350mA
Lamp included: Yes
Dimmable: Yes
Dimming method: See driver matrix for all possibilities

Dimensions (mm): H: 1500mm W: 40mm D: 30mm
Cut out hole (mm): 1485mm x 32mm
Recess depth (mm): 35mm



Models



CODE USE THE CODE CONFIGURATOR (page 85)
Main material: Aluminium powder coated / anodized

White Line Slot in **1500mm 2700K**

LED: 2700K - CRI>90 - 24°/36°/80°
 4xLED 8W - 3170lm - 350mA (Driver excluded)



CODE USE THE CODE CONFIGURATOR (page 85)
Main material: Aluminium powder coated / anodized

White Line Slot in **1500mm 3000K**

LED: 3000K - CRI>90 - 24°/36°/80°
 4xLED 8W - 3360lm - 350mA (Driver excluded)

Option

WL SLOT PK CM Plasterkit for concrete ceiling (per cm)

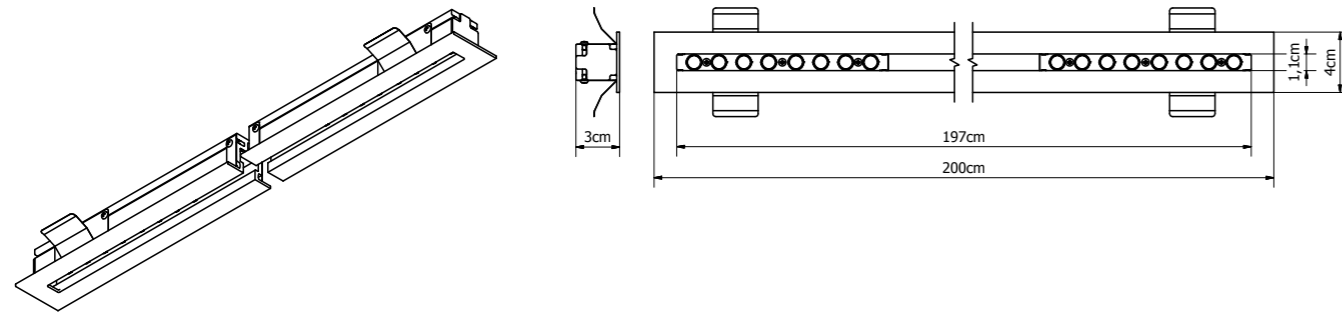
White Line Slot in 2000

General

Location: Bathroom / Interior
Class: CE (Class II)
IP-rating: IP44 / IP20
Driver included: No (See driver matrix page 222-229 for all possibilities)
Installation orientation: Ceiling mount

Main power: 350mA
Lamp included: Yes
Dimmable: Yes
Dimming method: See driver matrix for all possibilities

Dimensions (mm): H: 2000mm W: 40mm D: 30mm
Cut out hole (mm): 1985mm x 32mm
Recess depth (mm): 35mm



Models



CODE USE THE CODE CONFIGURATOR (page 85)
Main material: Aluminium powder coated / anodized

White Line Slot in **2000mm 2700K**

LED: 2700K - CRI>90 - 24°/36°/80°
 6xLED 8W - 4750lm - 350mA (Driver excluded)



CODE USE THE CODE CONFIGURATOR (page 85)
Main material: Aluminium powder coated / anodized

White Line Slot in **2000mm 3000K**

LED: 3000K - CRI>90 - 24°/36°/80°
 6xLED 8W - 5040lm - 350mA (Driver excluded)

Option

WL SLOT PK CM

Plasterkit for concrete ceiling (per cm)

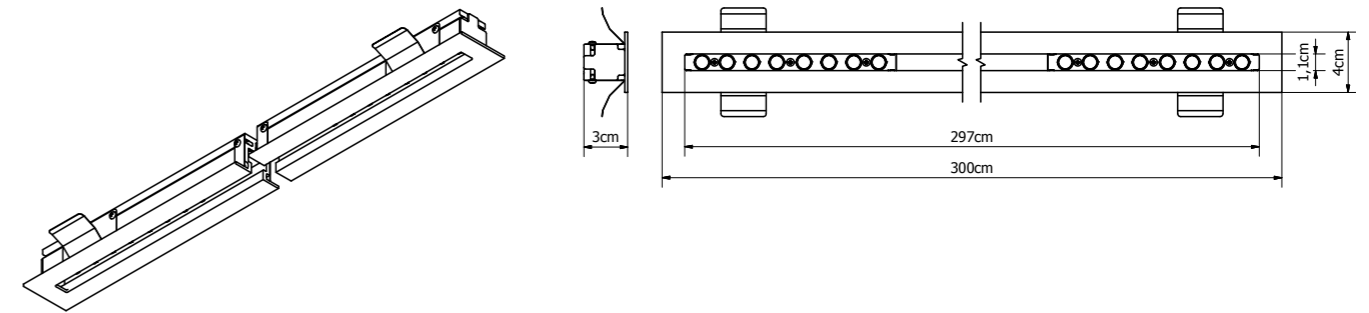
White Line Slot in 3000

General

Location: Bathroom / Interior
Class: CE (Class II)
IP-rating: IP44 / IP20
Driver included: No (See driver matrix page 222-229 for all possibilities)
Installation orientation: Ceiling mount

Main power: 350mA
Lamp included: Yes
Dimmable: Yes
Dimming method: See driver matrix for all possibilities

Dimensions (mm): H: 3000mm W: 40mm D: 30mm
Cut out hole (mm): 2985mm x 32mm
Recess depth (mm): 35mm



Models



CODE USE THE CODE CONFIGURATOR (page 85)
Main material: Aluminium powder coated / anodized

White Line Slot in **3000mm 2700K**

LED: 2700K - CRI>90 - 24°/36°/80°
 8xLED 8W - 6330lm - 350mA (Driver excluded)



CODE USE THE CODE CONFIGURATOR (page 85)
Main material: Aluminium powder coated / anodized

White Line Slot in **3000mm 3000K**

LED: 3000K - CRI>90 - 24°/36°/80°
 8xLED 8W - 6720lm - 350mA (Driver excluded)

Option

WL SLOT PK CM

Plasterkit for concrete ceiling (per cm)

White Line Slot down





White Line Slot

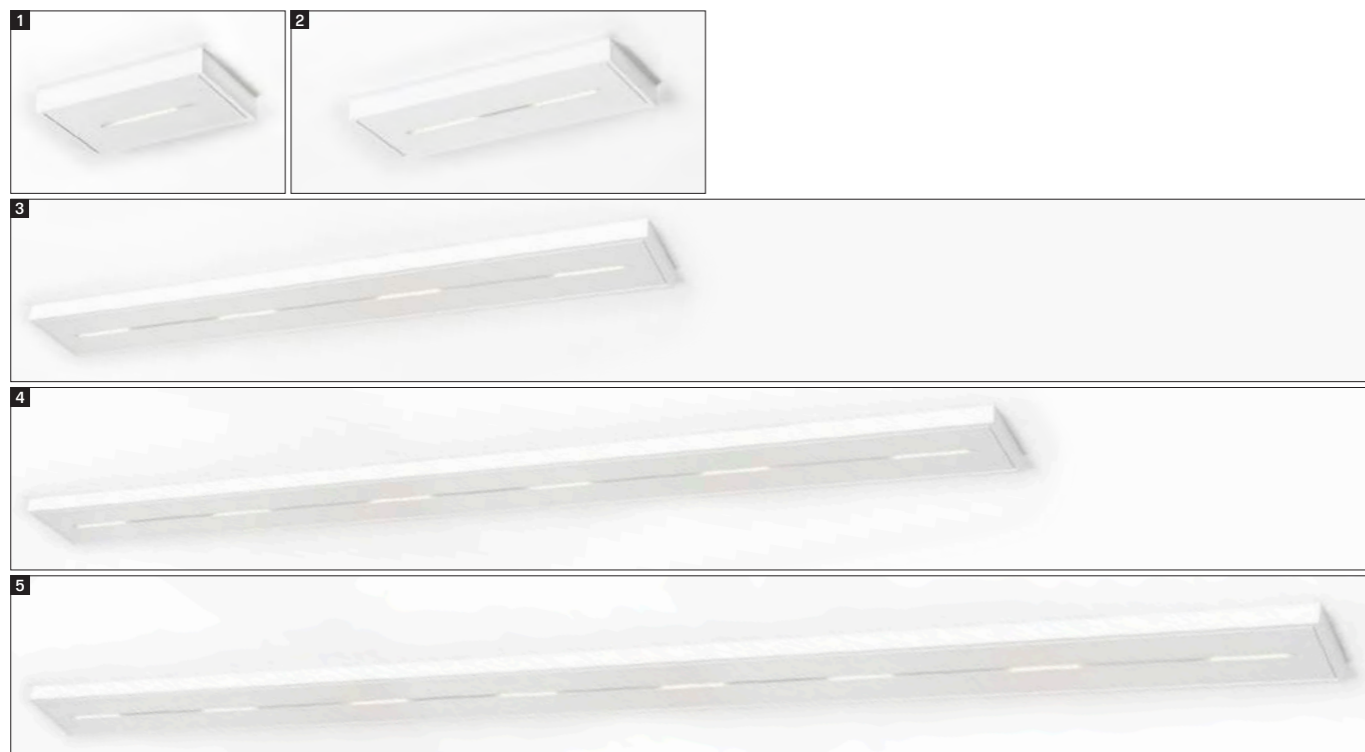
Code configurator

Code configurator

| WL + MODEL | Length | Colour bottom | Colour cover | CCT | Beam angle | IP-value |
|------------|-----------|-------------------|-----------------------|----------|------------|----------|
| WLSLD | 01 300mm | 01 White RAL 9016 | 01 White RAL 9016 | 01 2700K | 01 24° | 01 IP44 |
| | 02 520mm | 02 Black RAL 9005 | 02 Black RAL 9005 | 02 3000K | 02 36° | 02 IP20 |
| | 03 1500mm | | 03 Anodized CHAMPAGNE | | 03 80° | |
| | 04 2000mm | | 04 Anodized BRONZE | | | |
| | 05 3000mm | | 05 Anodized BLACK | | | |

Example

WLSLD 010101010101
 SL DOWN 300mm | WH | WH | 8W 2700K 24° IP44 Incl. driver (Mains dim.)



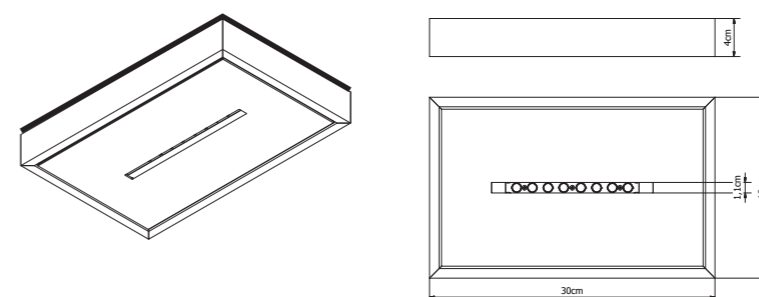
White Line Slot down 300

General

Location: Bathroom / Interior
Class: CE (Class II)
IP-rating: IP44 / IP20
Driver included: Yes
Installation orientation: Ceiling mount

Main power: 220V-240V
Lamp included: Yes
Dimmable: Yes
Dimming method: Mains dimmable (See driver matrix for other options)

Dimensions (mm): H: 300mm W: 190mm D: 40mm



Models



CODE USE THE CODE CONFIGURATOR (page 94)
Main material: Aluminium powder coated / anodized

White Line Slot down **300mm 2700K**

LED: 2700K - CRI>90 - 24°/36°/80°
 1xLED 8W - 790lm - 350mA (Driver included)



CODE USE THE CODE CONFIGURATOR (page 94)
Main material: Aluminium powder coated / anodized

White Line Slot down **300mm 3000K**

LED: 3000K - CRI>90 - 24°/36°/80°
 1xLED 8W - 840lm - 350mA (Driver included)

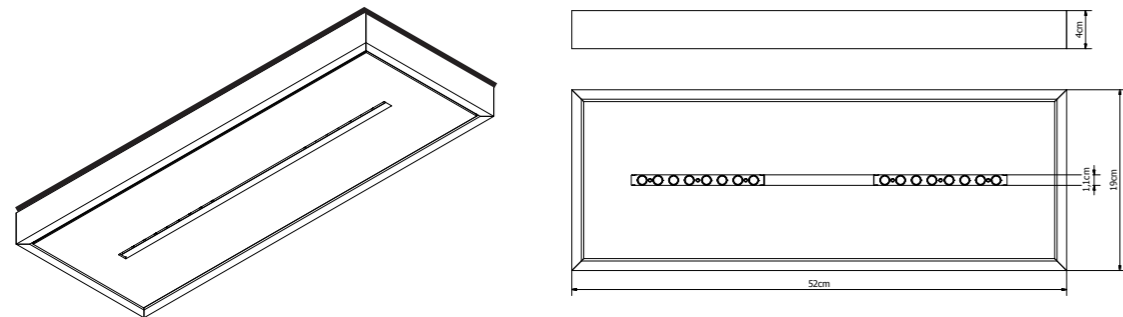
White Line Slot down 520

General

Location: Bathroom / Interior
Class: CE (Class II)
IP-rating: IP44 / IP20
Driver included: Yes
Installation orientation: Ceiling mount

Main power: 220V-240V
Lamp included: Yes
Dimmable: Yes
Dimming method: Mains dimmable (See driver matrix for other options)

Dimensions (mm): H: 520mm W: 190mm D: 40mm



Models



CODE USE THE CODE CONFIGURATOR (page 94)
Main material: Aluminium powder coated / anodized

White Line Slot down **520mm 2700K**

LED: 2700K - CRI>90 - 24°/36°/80°
 2xLED 8W - 1580lm - 350mA (Driver included)



CODE USE THE CODE CONFIGURATOR (page 94)
Main material: Aluminium powder coated / anodized

White Line Slot down **520mm 3000K**

LED: 3000K - CRI>90 - 24°/36°/80°
 2xLED 8W - 1680lm - 350mA (Driver included)

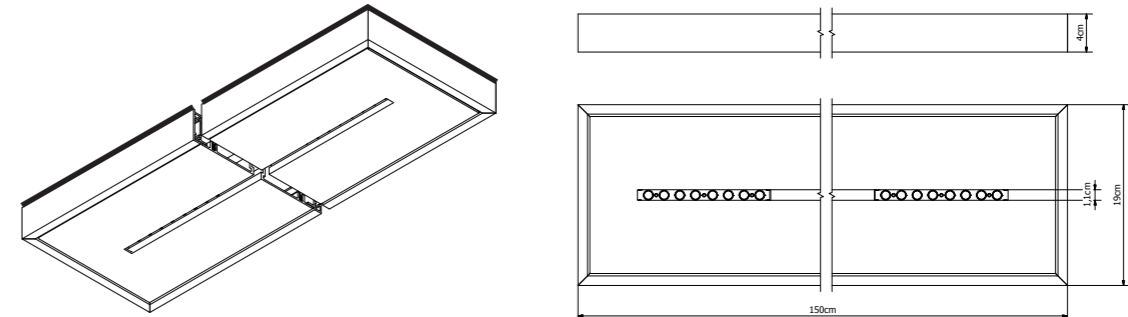
White Line Slot down 1500

General

Location: Bathroom / Interior
Class: CE (Class II)
IP-rating: IP44 / IP20
Driver included: Yes
Installation orientation: Ceiling mount

Main power: 220V-240V
Lamp included: Yes
Dimmable: Yes
Dimming method: Mains dimmable (See driver matrix for other options)

Dimensions (mm): H: 1500mm W: 190mm D: 40mm



Models



CODE USE THE CODE CONFIGURATOR (page 94)
Main material: Aluminium powder coated / anodized

White Line Slot down **1500mm 2700K**

LED: 2700K - CRI>90 - 24°/36°/80°
 4xLED 8W - 3170lm - 350mA (Driver included)



CODE USE THE CODE CONFIGURATOR (page 94)
Main material: Aluminium powder coated / anodized

White Line Slot down **1500mm 3000K**

LED: 3000K - CRI>90 - 24°/36°/80°
 4xLED 8W - 3360lm - 350mA (Driver included)

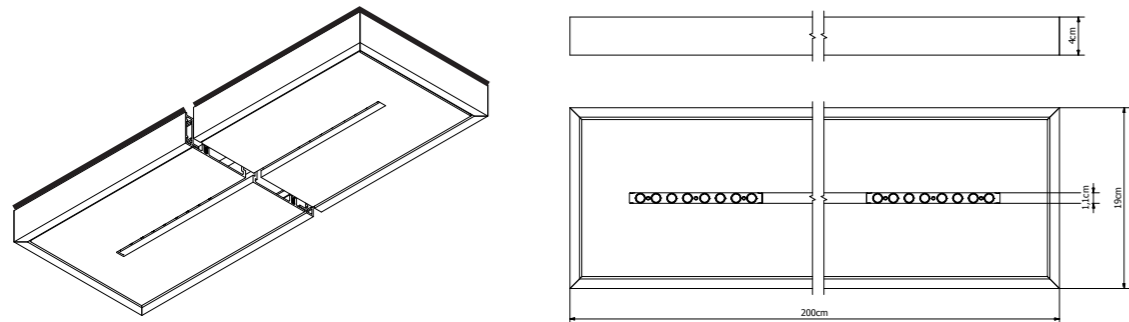
White Line Slot down 2000

General

Location: Bathroom / Interior
Class: CE (Class II)
IP-rating: IP44 / IP20
Driver included: Yes
Installation orientation: Ceiling mount

Main power: 220V-240V
Lamp included: Yes
Dimmable: Yes
Dimming method: Mains dimmable (See driver matrix for other options)

Dimensions (mm): H: 2000mm W: 190mm D: 40mm



Models



CODE USE THE CODE CONFIGURATOR (page 94)
Main material: Aluminium powder coated / anodized

White Line Slot down **2000mm 2700K**

LED: 2700K - CRI>90 - 24°/36°/80°
 6xLED 8W - 4750lm - 350mA (Driver included)



CODE USE THE CODE CONFIGURATOR (page 94)
Main material: Aluminium powder coated / anodized

White Line Slot down **2000mm 3000K**

LED: 3000K - CRI>90 - 24°/36°/80°
 6xLED 8W - 5040lm - 350mA (Driver included)

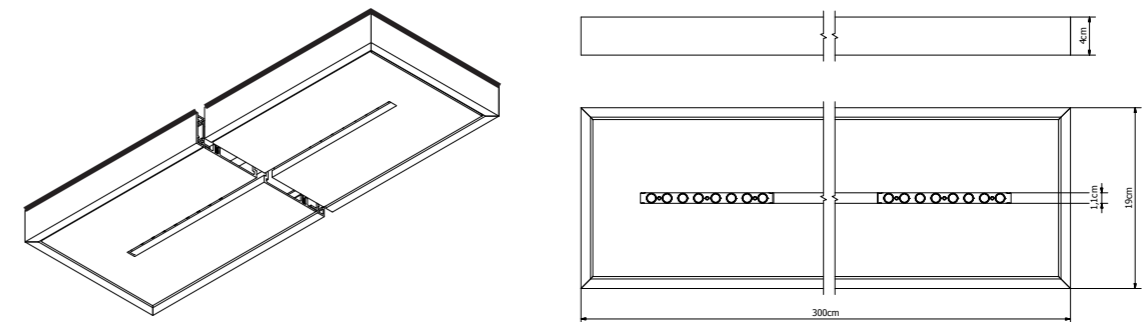
White Line Slot down 3000

General

Location: Bathroom / Interior
Class: CE (Class II)
IP-rating: IP44 / IP20
Driver included: Yes
Installation orientation: Ceiling mount

Main power: 220V-240V
Lamp included: Yes
Dimmable: Yes
Dimming method: Mains dimmable (See driver matrix for other options)

Dimensions (mm): H: 3000mm W: 190mm D: 40mm



Models



CODE USE THE CODE CONFIGURATOR (page 94)
Main material: Aluminium powder coated / anodized

White Line Slot down **3000mm 2700K**

LED: 2700K - CRI>90 - 24°/36°/80°
 8xLED 8W - 6330lm - 350mA (Driver included)



CODE USE THE CODE CONFIGURATOR (page 94)
Main material: Aluminium powder coated / anodized

White Line Slot down **3000mm 3000K**

LED: 3000K - CRI>90 - 24°/36°/80°
 8xLED 8W - 6720lm - 350mA (Driver included)



White Line Slot up/down



White Line Slot up/down



White Line Slot up/down

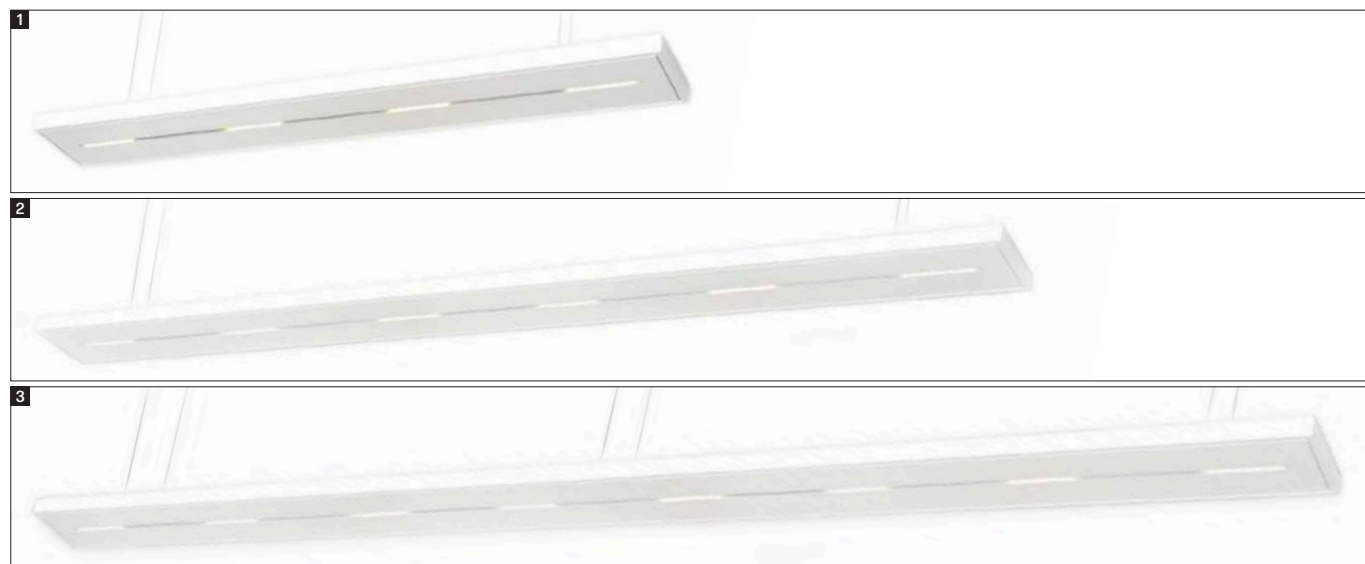
Code configurator

Code configurator

| WL + MODEL | Length | Colour bottom | Colour cover | CCT | Beam angle | IP-value | |
|------------|-----------|-------------------|-----------------------|----------|------------|----------|--|
| WLSLUD | 01 1500mm | 01 White RAL 9016 | 01 White RAL 9016 | 01 2700K | 01 24° | 01 IP44 | |
| | 02 2000mm | 02 Black RAL 9005 | 02 Black RAL 9005 | 02 3000K | 02 36° | 02 IP20 | |
| | 03 3000mm | | 03 Anodized CHAMPAGNE | | | 03 80° | |
| | | | 04 Anodized BRONZE | | | | |
| | | | 05 Anodized BLACK | | | | |

Example

WLSLUD 0101010101
 SL UP/DOWN 1500mm | WH | WH | 8W 2700K 24° IP44 Incl. driver (Mains dim.)



White Line Slot up/down 1500

General

| | |
|----------------------------------|--|
| Location: | Bathroom / Interior |
| Class: | CE (Class II) |
| IP-rating: | IP44 / IP20 |
| Driver included: | Yes |
| Installation orientation: | Ceiling mount |
| Main power: | 220V-240V |
| Lamp included: | Yes |
| Dimmable: | Yes |
| Dimming method: | Mains dimmable (See driver matrix for other options) |
| Dimensions (mm): | H: 1500mm W: 190mm D: 40mm |
| Pendant height (mm): | Max. 2500mm |

Models



CODE USE THE CODE CONFIGURATOR (page 102)
Main material: Aluminium powder coated / anodized

White Line Slot up/down **1500mm 2700K**

LED down:
 2700K - CRI>90 - 24°/36°/80°
 4xLED 8W - 3170lm - 24V (Driver included)

LED up:
 12W-1800lm-24V (Driver included)



CODE USE THE CODE CONFIGURATOR (page 102)
Main material: Aluminium powder coated / anodized

White Line Slot up/down **1500mm 3000K**

LED down:
 3000K - CRI>90 - 24°/36°/80°
 4xLED 8W - 3360lm - 24V (Driver included)

LED up:
 12W - 1800lm - 24V (Driver included)

White Line Slot up/down 2000

General

Location: Bathroom / Interior
Class: CE (Class II)
IP-rating: IP44 / IP20
Driver included: Yes
Installation orientation: Ceiling mount

Main power: 220V-240V
Lamp included: Yes
Dimmable: Yes
Dimming method: Mains dimmable (See driver matrix for other options)

Dimensions (mm): H: 2000mm W: 190mm D: 40mm
Pendant height (mm): Max. 2500mm

Models



CODE USE THE CODE CONFIGURATOR (page 102)
Main material: Aluminium powder coated / anodized

White Line Slot **up/down 2000mm 2700K**

LED down:
2700K - CRI>90 - 24°/36°/80°
6xLED 8W - 4750lm - 24V (Driver included)

LED up:
16W - 2400lm - 24V (Driver included)



CODE USE THE CODE CONFIGURATOR (page 102)
Main material: Aluminium powder coated / anodized

White Line Slot **up/down 2000mm 3000K**

LED down:
3000K - CRI>90 - 24°/36°/80°
6xLED 8W - 5040lm - 24V (Driver included)

LED up:
16W - 2400lm - 24V (Driver included)

White Line Slot up/down 3000

General

Location: Bathroom / Interior
Class: CE (Class II)
IP-rating: IP44 / IP20
Driver included: Yes
Installation orientation: Ceiling mount

Main power: 220V-240V
Lamp included: Yes
Dimmable: Yes
Dimming method: Mains dimmable (See driver matrix for other options)

Dimensions (mm): H: 3000mm W: 190mm D: 40mm
Pendant height (mm): Max. 2500mm

Models



CODE USE THE CODE CONFIGURATOR (page 102)
Main material: Aluminium powder coated / anodized

White Line Slot **up/down 3000mm 2700K**

LED down:
2700K - CRI>90 - 24°/36°/80°
8xLED 8W - 6330lm - 24V (Driver included)

LED up:
25W - 3600lm - 24V (Driver included)



CODE USE THE CODE CONFIGURATOR (page 102)
Main material: Aluminium powder coated / anodized

White Line Slot **up/down 3000mm 3000K**

LED down:
3000K - CRI>90 - 24°/36°/80°
8xLED 8W - 6720lm - 24V (Driver included)

LED up:
25W - 3600lm - 24V (Driver included)



White Line Slot small

Code configurator

Code configurator

| WL + MODEL | Length | Colour bottom | Colour cover | Colour endcap | CCT | Beam angle | IP-value |
|------------|--------|---------------|-------------------|-------------------|-------------------|------------|----------|
| WLSLS | 00 | 82mm | 01 White RAL 9016 | 01 White RAL 9016 | 01 White RAL 9016 | 01 2700K | 01 IP44 |
| | 01 | 180mm | 02 Black RAL 9005 | 02 Black RAL 9005 | 02 Black RAL 9005 | 02 3000K | 02 IP20 |
| | 02 | 430mm | | 03 Ano CHAMPAGNE | 03 Ano CHAMPAGNE | | 03 80° |
| | 03 | 1500mm | | 04 Ano BRONZE | 04 Ano BRONZE | | |
| | 04 | 2000mm | | 05 Ano BLACK | 05 Ano BLACK | | |
| | 05 | 3000mm | | | | | |

Example

WLSLS 01010101010101

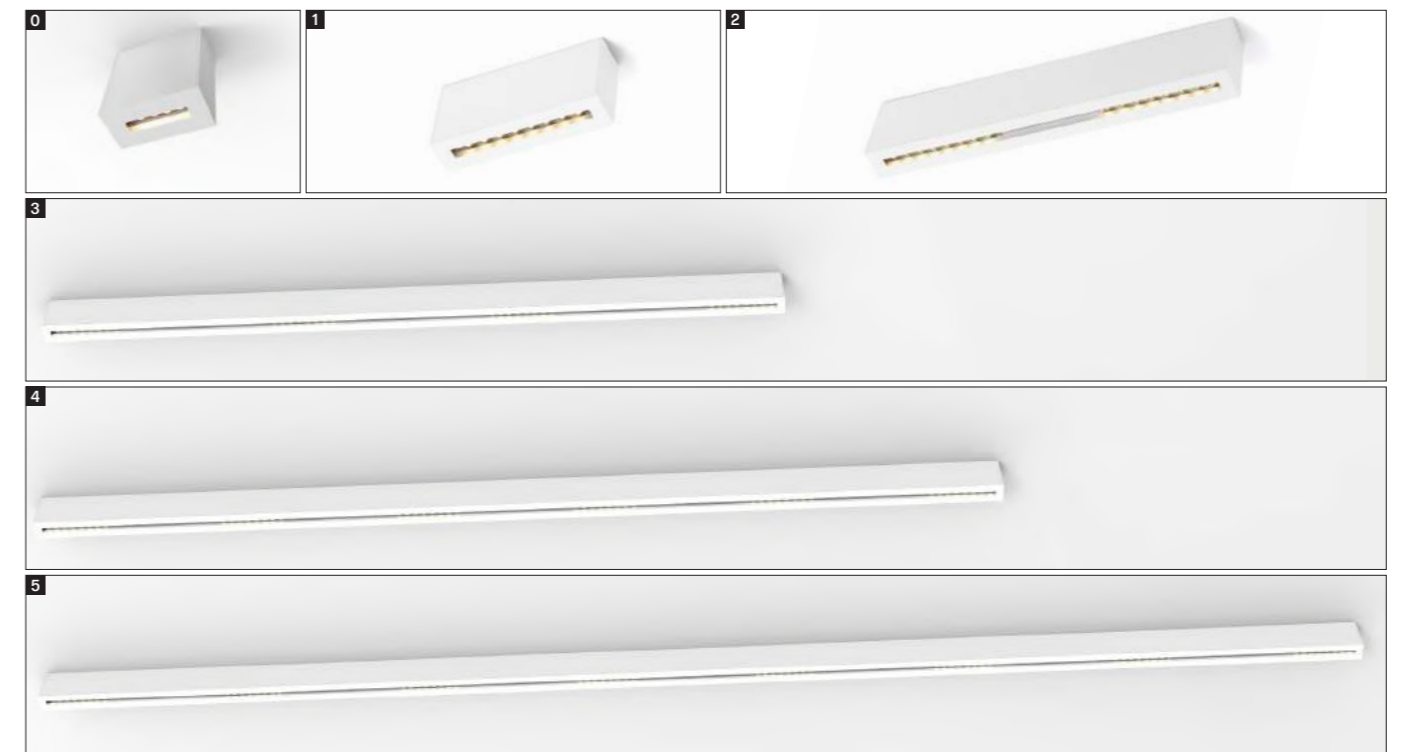
SL SMALL 180mm | WH | WH | WH | 8W 2700K 24° IP44 Incl. driver (Mains dim.)

Custom made

Slot small in is available in custom lengths up to 6 meters in all RAL and anodizing colors. The number of LED modules and the position can also be chosen for customisation. In addition, 2200K and 4000K is possible on request.

All slot models are also compatible with DOTSI and TUBSI. We can integrate magnetic rail in our slot fixtures. Here you can also choose the length, number and position of the rails.

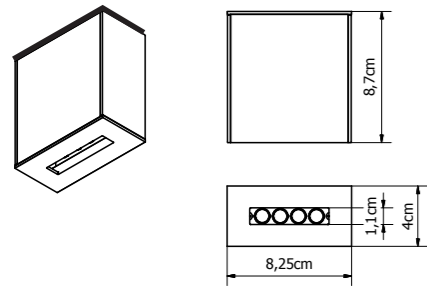
Please check the custom code configurator (p. 136) or contact pvd concept for more information.



White Line Slot small mini

General

| | |
|----------------------------------|--|
| Location: | Bathroom / Interior |
| Class: | CE (Class II) |
| IP-rating: | IP44 / IP20 |
| Driver included: | Yes |
| Installation orientation: | Ceiling mount |
| Main power: | 220V-240V |
| Lamp included: | Yes |
| Dimmable: | Yes |
| Dimming method: | Mains dimmable (See driver matrix for other options) |
| Dimensions (mm): | H: 82,5mm W: 40mm D: 87mm |



Models



CODE USE THE CODE CONFIGURATOR (page 107)
Main material: Aluminium powder coated / anodized

White Line Slot small **mini 2700K**

LED: 2700K - CRI>90 - 24°/36°/80°
 1xLED 4W - 395lm - 350mA (Driver included)



CODE USE THE CODE CONFIGURATOR (page 107)
Main material: Aluminium powder coated / anodized

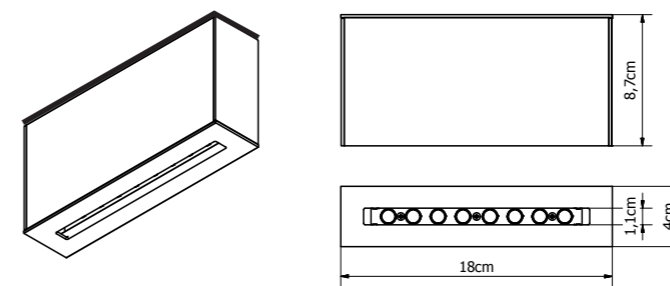
White Line Slot small **mini 3000K**

LED: 3000K - CRI>90 - 24°/36°/80°
 1xLED 4W - 420lm - 350mA (Driver included)

White Line Slot small 180

General

| | |
|----------------------------------|--|
| Location: | Bathroom / Interior |
| Class: | CE (Class II) |
| IP-rating: | IP44 / IP20 |
| Driver included: | Yes |
| Installation orientation: | Ceiling mount |
| Main power: | 220V-240V |
| Lamp included: | Yes |
| Dimmable: | Yes |
| Dimming method: | Mains dimmable (See driver matrix for other options) |
| Dimensions (mm): | H: 180mm W: 40mm D: 87mm |



Models



CODE USE THE CODE CONFIGURATOR (page 107)
Main material: Aluminium powder coated / anodized

White Line Slot small **180mm 2700K**

LED: 2700K - CRI>90 - 24°/36°/80°
 1xLED 8W - 790lm - 350mA (Driver included)



CODE USE THE CODE CONFIGURATOR (page 107)
Main material: Aluminium powder coated / anodized

White Line Slot small **180mm 3000K**

LED: 3000K - CRI>90 - 24°/36°/80°
 1xLED 8W - 840lm - 350mA (Driver included)

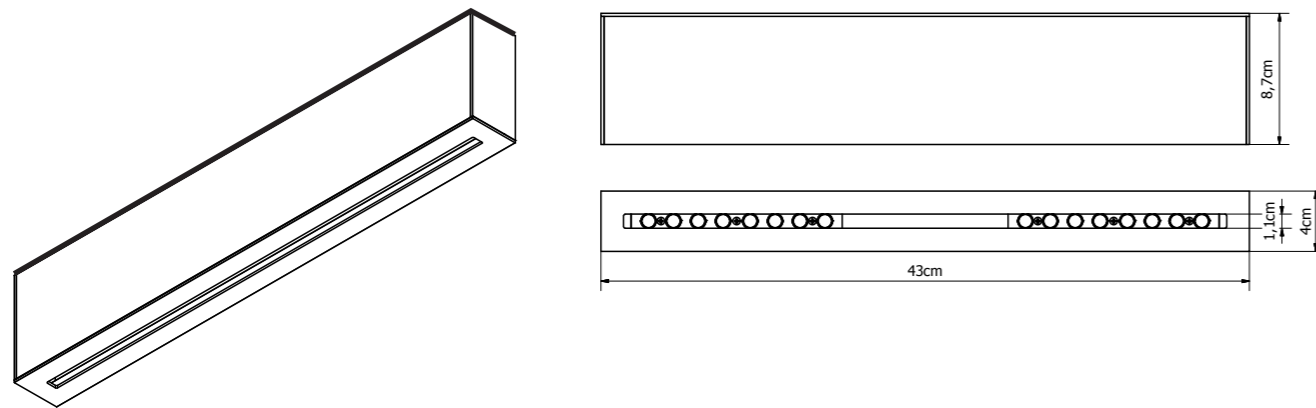
White Line Slot small 430

General

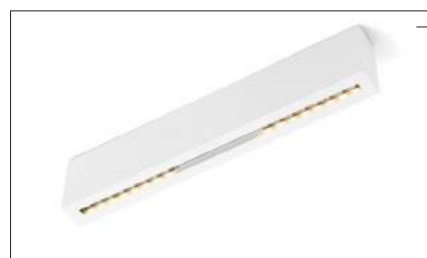
Location: Bathroom / Interior
Class: CE (Class II)
IP-rating: IP44 / IP20
Driver included: Yes
Installation orientation: Ceiling mount

Main power: 220V-240V
Lamp included: Yes
Dimmable: Yes
Dimming method: Mains dimmable (See driver matrix for other options)

Dimensions (mm): H: 430mm W: 40mm D: 87mm



Models



CODE USE THE CODE CONFIGURATOR (page 107)
Main material: Aluminium powder coated / anodized

White Line Slot small **430mm 2700K**

LED: 2700K - CRI>90 - 24°/36°/80°
 2xLED 8W - 1580lm - 350mA (Driver included)



CODE USE THE CODE CONFIGURATOR (page 107)
Main material: Aluminium powder coated / anodized

White Line Slot small **430mm 3000K**

LED: 3000K - CRI>90 - 24°/36°/80°
 2xLED 8W - 1680lm - 350mA (Driver included)

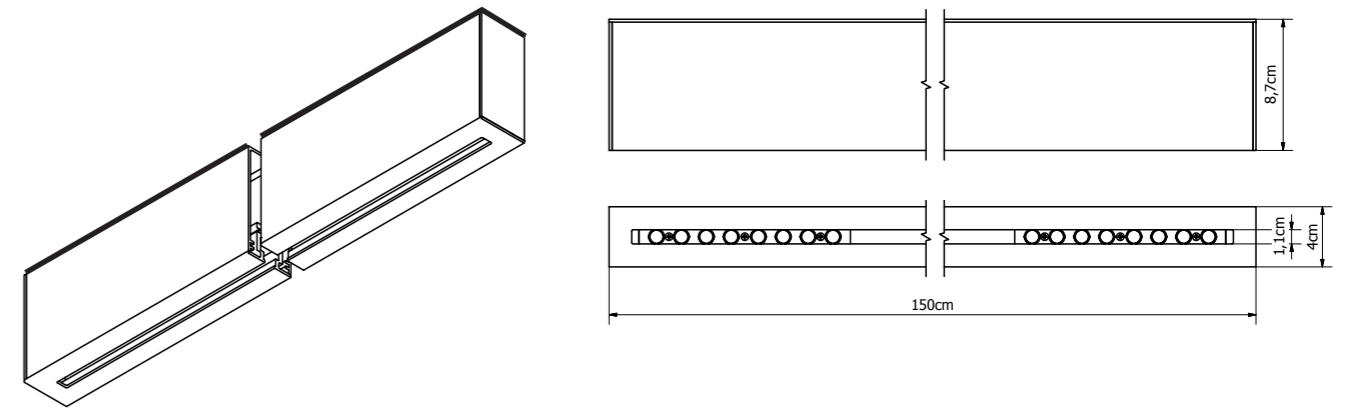
White Line Slot small 1500

General

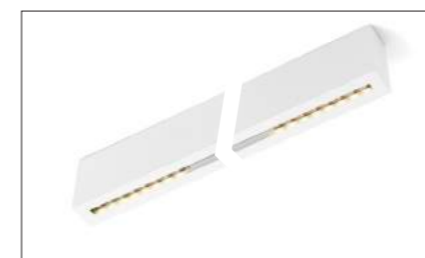
Location: Bathroom / Interior
Class: CE (Class II)
IP-rating: IP44 / IP20
Driver included: Yes
Installation orientation: Ceiling mount

Main power: 220V-240V
Lamp included: Yes
Dimmable: Yes
Dimming method: Mains dimmable (See driver matrix for other options)

Dimensions (mm): H: 1500mm W: 40mm D: 87mm



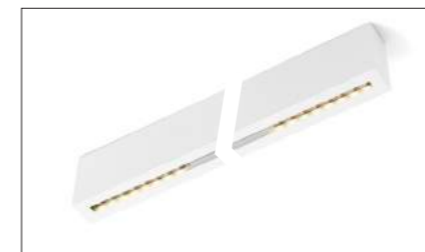
Models



CODE USE THE CODE CONFIGURATOR (page 107)
Main material: Aluminium powder coated / anodized

White Line Slot small **1500mm 2700K**

LED: 2700K - CRI>90 - 24°/36°/80°
 4xLED 8W - 3170lm - 350mA (Driver included)



CODE USE THE CODE CONFIGURATOR (page 107)
Main material: Aluminium powder coated / anodized

White Line Slot small **1500mm 3000K**

LED: 3000K - CRI>90 - 24°/36°/80°
 4xLED 8W - 3360lm - 350mA (Driver included)

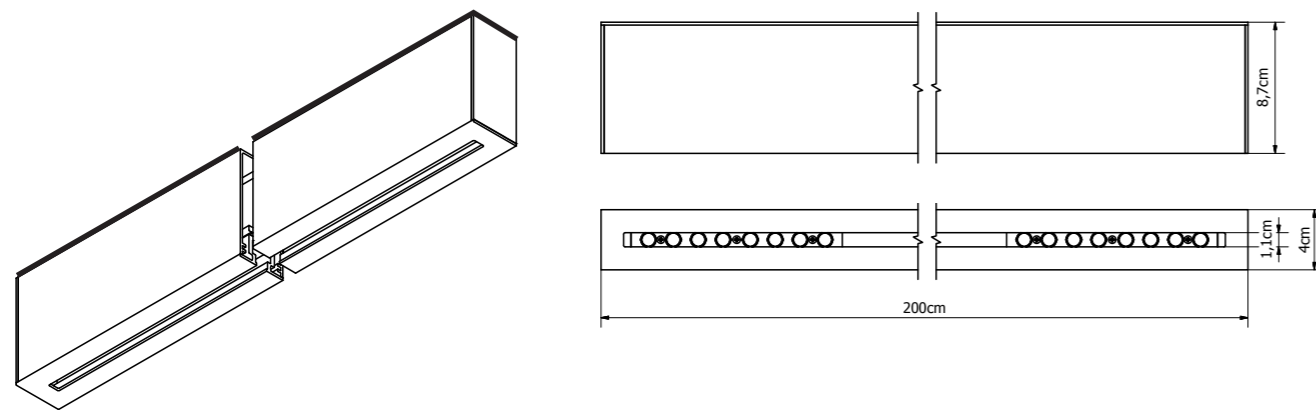
White Line Slot small 2000

General

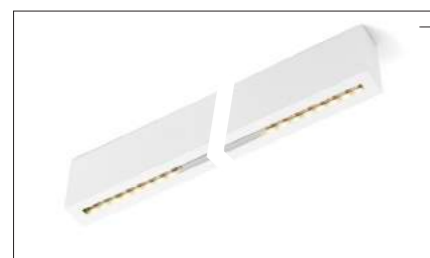
Location: Bathroom / Interior
 Class: CE (Class II)
 IP-rating: IP44 / IP20
 Driver included: Yes
 Installation orientation: Ceiling mount

Main power: 220V-240V
 Lamp included: Yes
 Dimmable: Yes
 Dimming method: Mains dimmable (See driver matrix for other options)

Dimensions (mm): H: 2000mm W: 40mm D: 87mm



Models



CODE USE THE CODE CONFIGURATOR (page 107)
Main material: Aluminium powder coated / anodized

White Line Slot small **2000mm 2700K**

LED: 2700K - CRI>90 - 24°/36°/80°
 6xLED 8W - 4750lm - 350mA (Driver included)



CODE USE THE CODE CONFIGURATOR (page 107)
Main material: Aluminium powder coated / anodized

White Line Slot small **2000mm 3000K**

LED: 3000K - CRI>90 - 24°/36°/80°
 6xLED 8W - 5040lm - 350mA (Driver included)

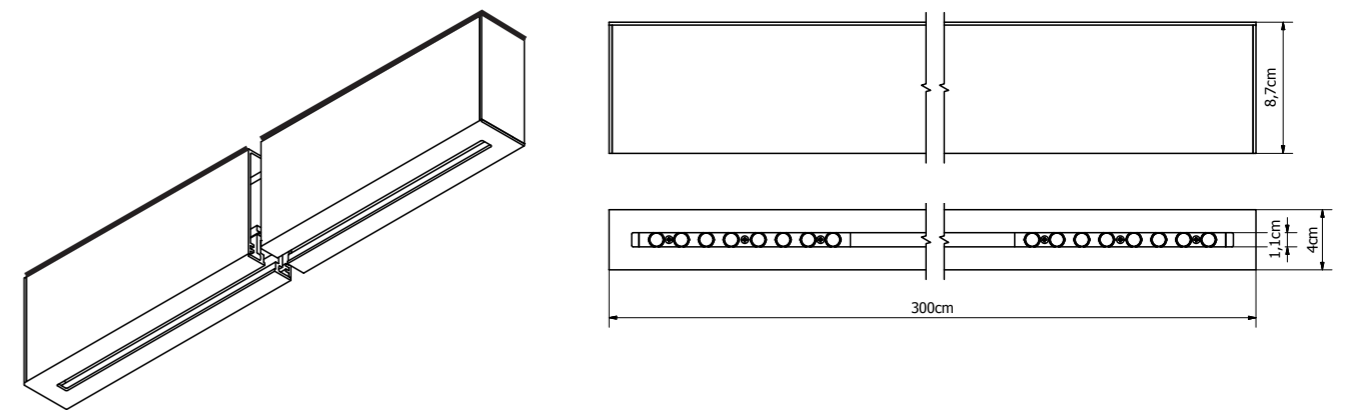
White Line Slot small 3000

General

Location: Bathroom / Interior
 Class: CE (Class II)
 IP-rating: IP44 / IP20
 Driver included: Yes
 Installation orientation: Ceiling mount

Main power: 220V-240V
 Lamp included: Yes
 Dimmable: Yes
 Dimming method: Mains dimmable (See driver matrix for other options)

Dimensions (mm): H: 3000mm W: 40mm D: 87mm



Models



CODE USE THE CODE CONFIGURATOR (page 107)
Main material: Aluminium powder coated / anodized

White Line Slot small **3000mm 2700K**

LED: 2700K - CRI>90 - 24°/36°/80°
 8xLED 8W - 6330lm - 350mA (Driver included)



CODE USE THE CODE CONFIGURATOR (page 107)
Main material: Aluminium powder coated / anodized

White Line Slot small **3000mm 3000K**

LED: 3000K - CRI>90 - 24°/36°/80°
 8xLED 8W - 6720lm - 350mA (Driver included)

White Line slot

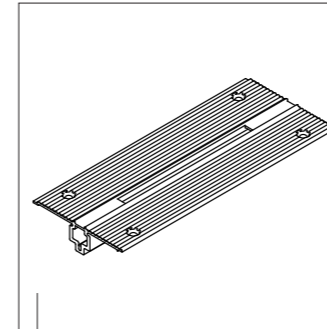
Customised fixtures

On the next page you can see a global step-by-step plan for putting together a customised White Line slot profile.

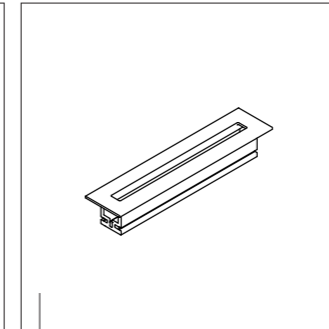
This plan indicates on which pages the White Line slot profile of your choice can be composed.

Configure your fixture by following steps

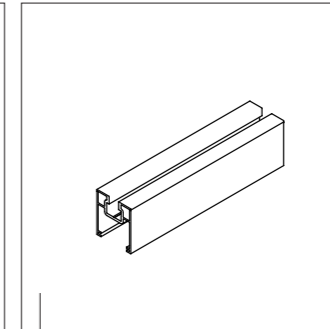
1. Choose your profile (obligated)



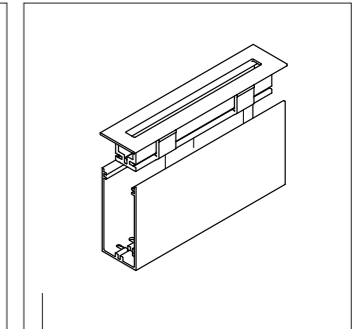
Slot trimless
Page 128-131



Slot in
Page 132-135

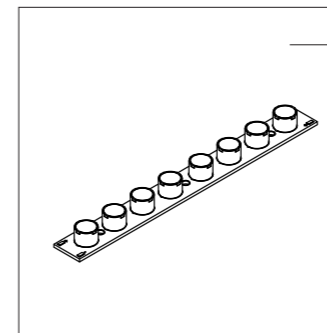


Slot track
Page 121-127

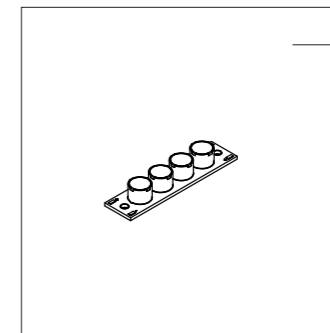


Slot small
Page 136-141

2. Choose your LED (not obligated)

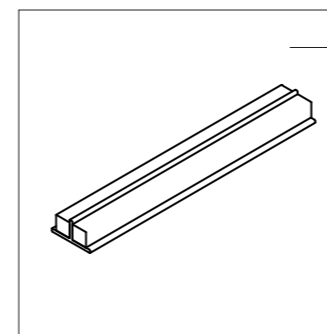


**Slot LED
8W - 24V
(19cm)**
- 2700K
- 3000K
- 4000K



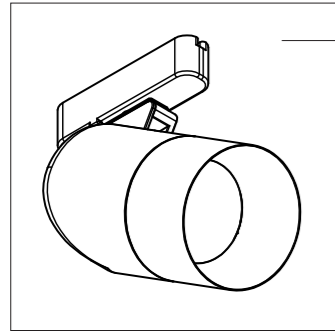
**Slot LED
4W - 24V
(9cm)**
- 2700K
- 3000K
- 4000K

3. Choose magnetic track for dotsi (not obligated)



Dotsi magnetic track
- Black
- Chrome
- Matt chrome

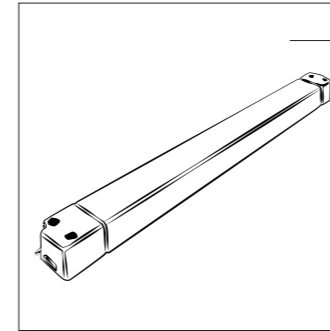
4. Choose your dotsi if you have provided magnetic rail (not obligated)



Dotsi magnetic spot

- White (RAL 9016)
- Anodised black
- Anodised champagne
- Anodised bronze

6. Choose your driver (obligated)

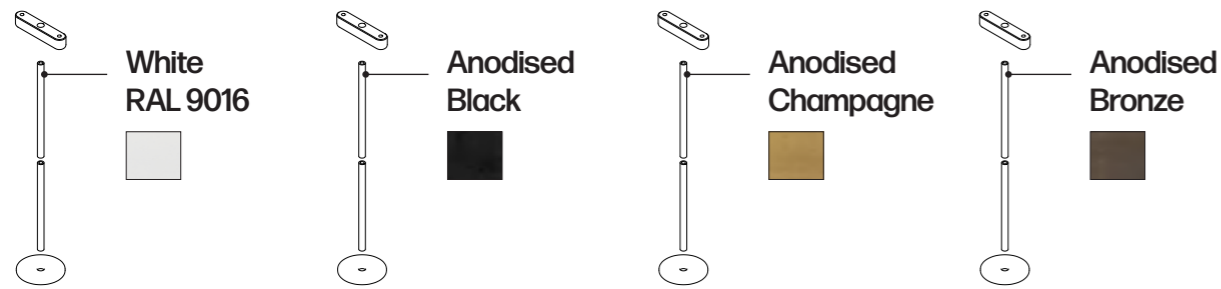


Driver 24V

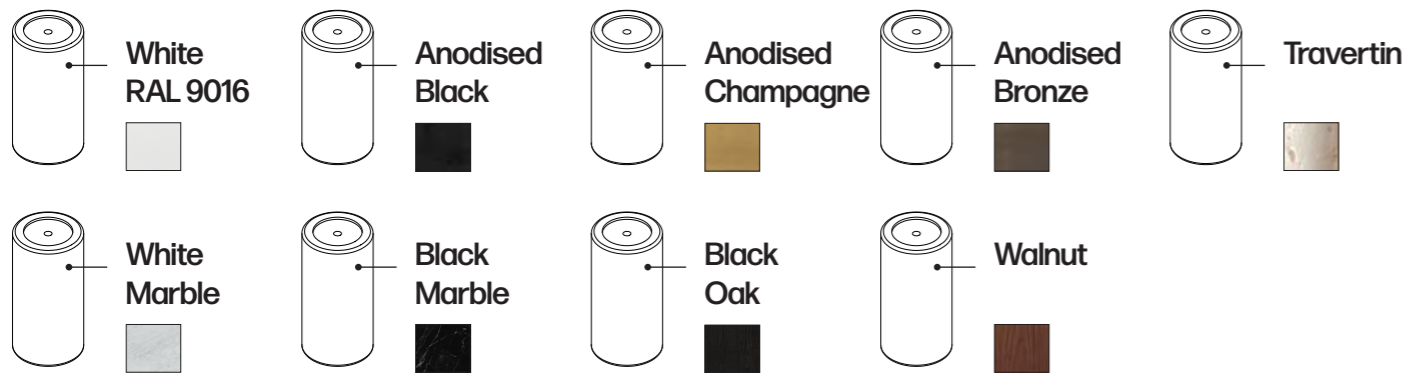
- Non dimmable
- Mains dimmable
- 1-10V / DALI / PUSH
- Casambi

5. Choose your tubsi (not obligated)

Types of rods



Types of tubes

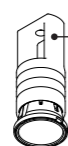


Types of LED module



LED 2700K
CRI>97 - 60°
4W - 400lm - 350mA

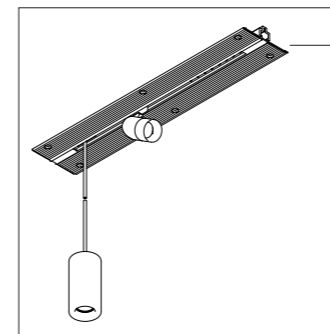
WL DRIVER01



LED dim to warm
2800K • 1800K - CRI>95 - 60°
4W - 480lm - 250mA

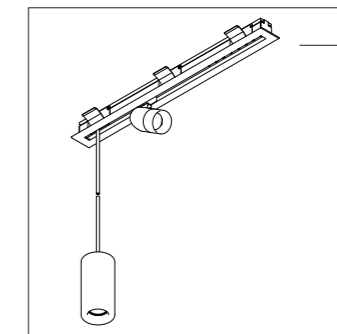
WL DRIVER10

Example of configured fixture



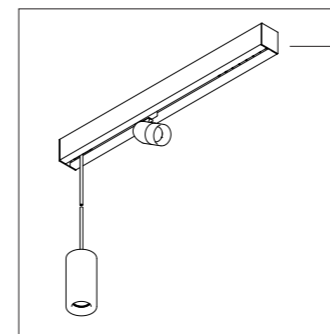
Slot trimless

- Tubsi
- Magnetic rail
- Dotsi
- 1x8W



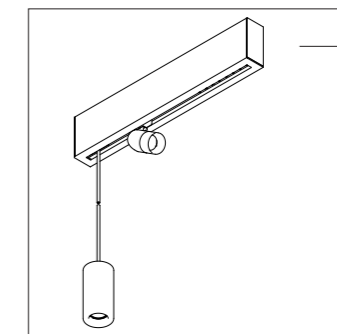
Slot in

- Tubsi
- Magnetic rail
- Dotsi
- 1x8W



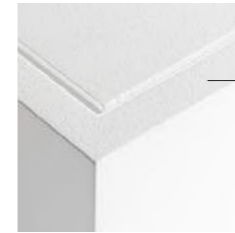
Slot track

- Tubsi
- Magnetic rail
- Dotsi
- 1x8W



Slot small

- Tubsi
- Magnetic rail
- Dotsi
- 1x8W



White Line Slot track

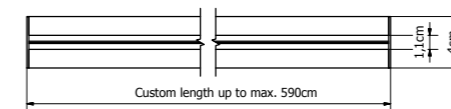
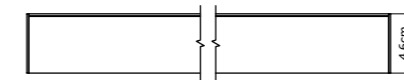
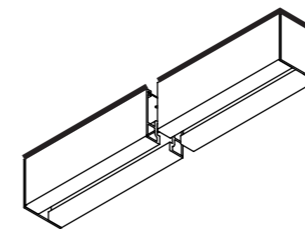
Code configurator

General

Location: Bathroom / Interior
Class: CE (Class II)
IP-rating: IP44 / IP20
Driver included: Yes
Installation orientation: Ceiling mount
Main material: Aluminium powder coated / anodized

Dimensions (mm): H: 46mm W: 40mm L: Custom

Main power: 220V-240V
Lamp included: Custom
Dimmable: Yes
Dimming method: See driver matrix for all possibilities



Models



CODE USE THE CONFIGURATOR (page 122-127)

White Line Slot track **custom made**

LED: 2700K/3000K/4000K - CRI>90 - 24°/36°/80°
 4W/8W - 24V

Configure your fixture

1. Choose mounting

| Type | Description | Item code |
|--|---|------------------|
| Surface mounted | Surface mounted anodised black per cm max 590cm | WLSLTRACK 010101 |
| | Surface mounted anodised champagne per cm max 590cm | WLSLTRACK 010102 |
| | Surface mounted anodised bronze per cm max 590cm | WLSLTRACK 010103 |
| | Surface mounted white RAL9016 per cm max 590cm | WLSLTRACK 010104 |
| Suspension fixed | Suspension fixed anodised black per cm max 590cm | WLSLTRACK010201 |
| | Suspension fixed anodised champagne per cm max 590cm | WLSLTRACK 010202 |
| | Suspension fixed anodised bronze per cm max 590cm | WLSLTRACK 010203 |
| | Suspension fixed white RAL9016 per cm max 590cm | WLSLTRACK 010204 |
| Suspension adjustable <small>(available 2022)</small> | Suspension adjustable anodised black per cm max 590cm | WLSLTRACK 010301 |
| | Suspension adjustable anodised champagne per cm max 590cm | WLSLTRACK 010302 |
| | Suspension adjustable anodised bronze per cm max 590cm | WLSLTRACK 010303 |
| | Suspension adjustable white RAL9016 per cm max 590cm | WLSLTRACK 010304 |

2. Choose your profile end cap (obligated)

| Type | Description | Item code |
|--------------------|---|----------------|
| Anodised black | End cap, anodised black for SLOT TRACK (2pcs) | WLSLTRACK 0201 |
| Anodised champagne | End cap, anodised champagne for SLOT TRACK (2pcs) | WLSLTRACK 0202 |
| Anodised bronze | End cap, anodised bronze for SLOT TRACK (2pcs) | WLSLTRACK 0203 |
| White RAL9016 | End cap, white (RAL9016) for SLOT TRACK (2pcs) | WLSLTRACK 0204 |

3. Choose your profile options (not obligated)

| Type | Description | Item code |
|---------|---|------------------|
| L-shape | L-shape connector 90°, anodised black | WLSLTRACK 030101 |
| | L-shape connector 90°, anodised champagne | WLSLTRACK 030102 |
| | L-shape connector 90°, anodised bronze | WLSLTRACK 030103 |
| | L-shape connector 90°, white RAL9016 | WLSLTRACK 030104 |
| T-shape | T-shape connector, anodised black | WLSLTRACK 030201 |
| | T-shape connector, anodised champagne | WLSLTRACK 030202 |
| | T-shape connector, anodised bronze | WLSLTRACK 030203 |
| | T-shape connector, white RAL9016 | WLSLTRACK 030204 |
| I-shape | I-shape connector, anodised black | WLSLTRACK 030301 |
| | I-shape connector, anodised champagne | WLSLTRACK 030302 |
| | I-shape connector, anodised bronze | WLSLTRACK 030303 |
| | I-shape connector, white RAL9016 | WLSLTRACK 030304 |

4. Choose your LED (not obligated)

| Type | Variant | Power | CCT | Beam angle |
|---------|---------|--------------|----------|------------|
| WLSLLED | 01 - | 01 4W (9cm) | 01 2700K | 01 24° |
| | | 02 8W (19cm) | 02 3000K | 02 36° |
| | | | 03 4000K | 03 80° |

5. Choose magnetic track for dotsi (not obligated)

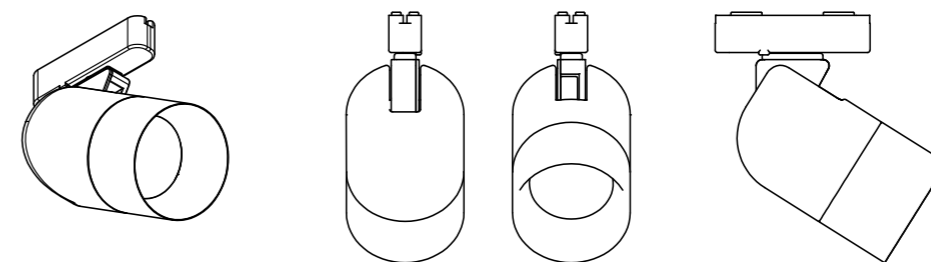
| Type (per cm) | Colour |
|---|----------------|
| WLSLRAIL <small>(only for dotsi)</small> | 01 Black |
| | 02 Chrome |
| | 03 Matt chrome |

6. Choose your dotsi if you have provided magnetic rail (not obligated)

| Type | Variant | Housing | Frontring | Frontring colour | CCT |
|---------|-----------|-----------------------|-------------------------|-----------------------|----------|
| WLDOTSI | 01 ø 38mm | 01 White RAL9016 | 01 Antiglare tube short | 01 White RAL9016 | 01 2700K |
| | | 02 Anodised black | 02 Spot tube short | 02 Anodised black | 02 3000K |
| | | 03 Anodised champagne | 03 Antiglare tube long | 03 Anodised champagne | 03 4000K |
| | | 04 Anodised bronze | 04 Spot tube long | 04 Anodised bronze | |

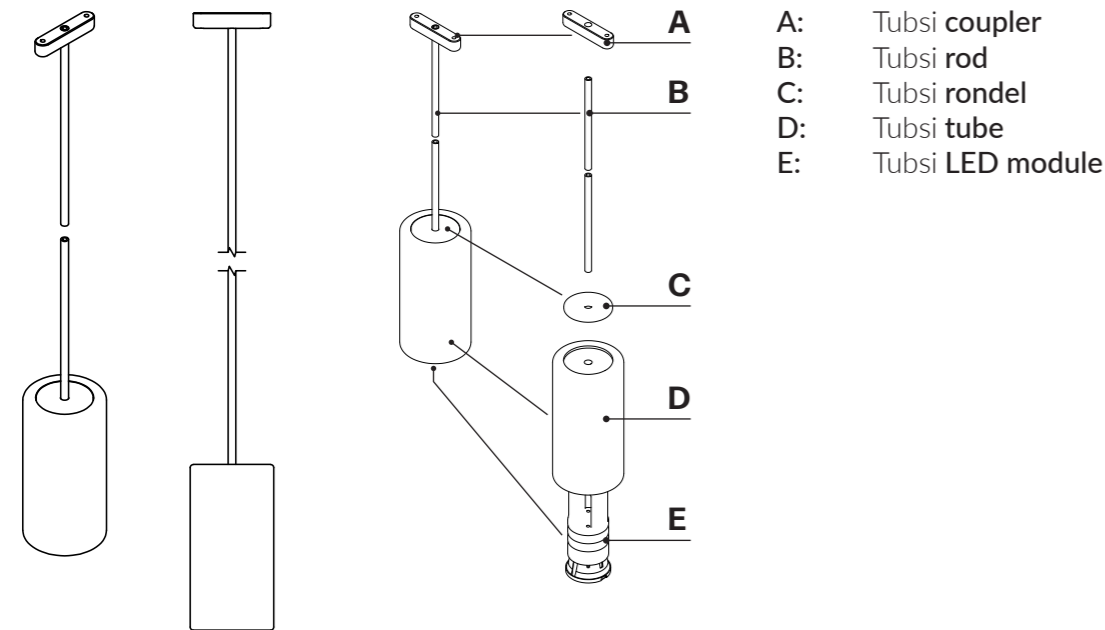
Required option

- WL DOTSI 01LENS01 Lens for Dotsi ø38mm - 15°
- WL DOTSI 01LENS02 Lens for Dotsi ø38mm - 20°
- WL DOTSI 01LENS03 Lens for Dotsi ø38mm - 30°
- WL DOTSI 01LENS04 Lens for Dotsi ø38mm - 40°
- WL DOTSI 01LENS05 Lens for Dotsi ø38mm - 45x20°
- WL DOTSI 01LENS06 Lens for Dotsi ø38mm - Wallwasher



7. Choose your tubsi pendant (not obligated)

| WL + MODEL | Tube | Colour rod | Length rod | CCT |
|------------|------------------|------------------|----------------|----------|
| WLTUBSI | 01 White RAL9016 | 01 White RAL9016 | 01 0 - 100cm | 01 2700K |
| | 02 Ano black | 02 Ano black | 02 101 - 150cm | 02 DTW |
| | 03 Ano champagne | 03 Ano champagne | 03 151 - 200cm | |
| | 04 Ano bronze | 04 Ano bronze | 04 201 - 250cm | |
| | 05 Travertin | | | |
| | 06 White marble | | | |
| | 07 Black marble | | | |
| | 08 Black oak | | | |
| | 09 Walnut | | | |



8. Choose your driver

Count the total wattage of the lights for each profile before choosing a driver
 If you want split up the lights in different circuits, then you need to take 1 driver per circuit

| Type | Description | Minimum profile length | Item code |
|---------------------|-------------|------------------------|-------------------------------------|
| Non dimmable | 12W | 10cm | WL DRIVER17 |
| Mains dimmable | 36W | 30cm | WL DRIVER13 |
| | 60W | 40cm | WL DRIVER16 |
| 1-10V / DALI / PUSH | 70W | 40cm | WL DRIVER14 |
| Casambi | - | 45cm | WL CBU-TED (+ Mains dim. driver) |

Example of configured fixture surface mounted

Slot track | ano bronze 60cm | 2x8W 2700K 36° | black dot rail 30cm | mains dim.

CODES:

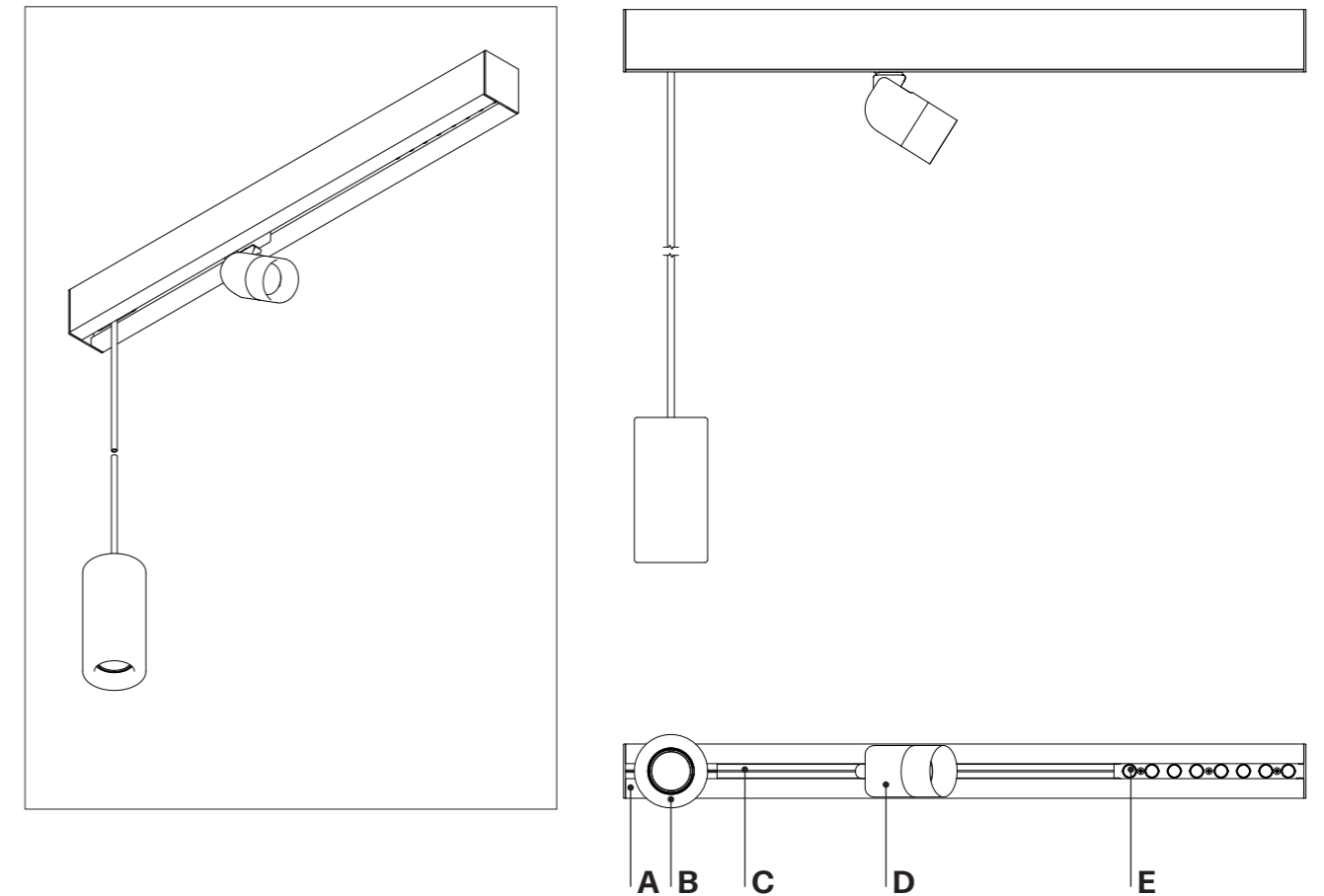
WLSLTRACK 01 01 03 (60x) Surface mounted profile color bronze, length 60cm

WLSLTRACK 02 03 End cap color bronze

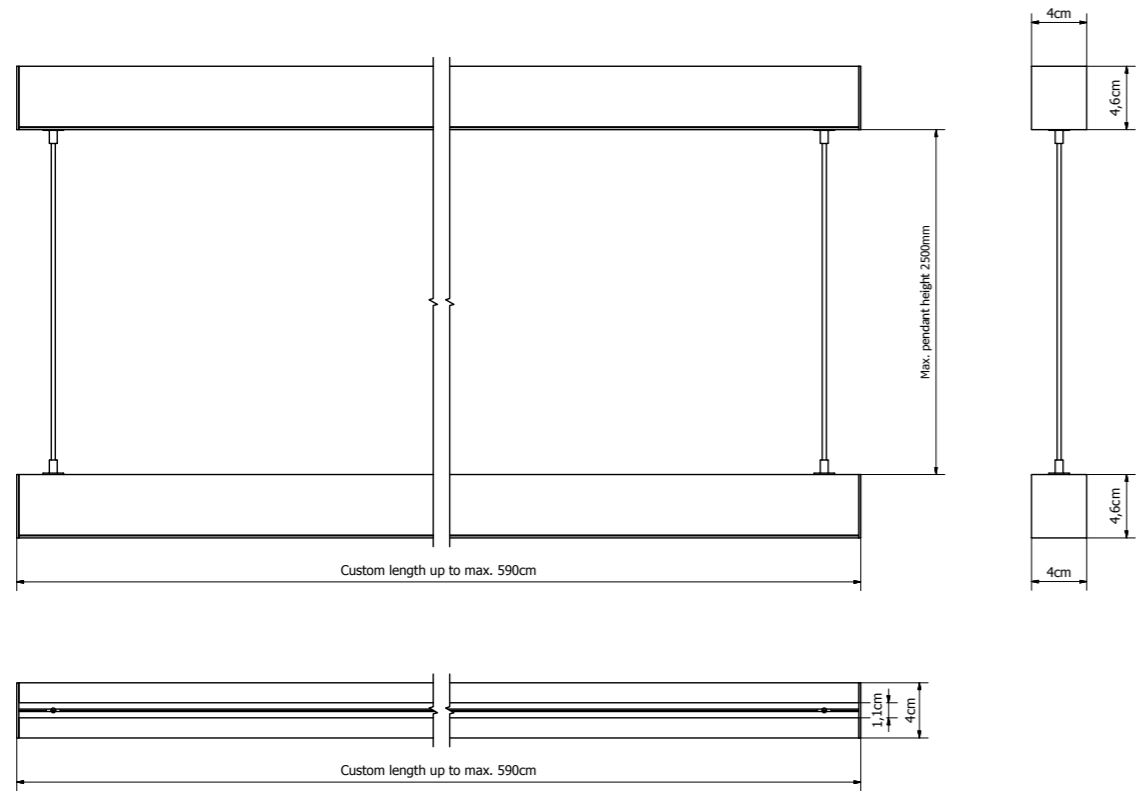
WLSLLED 01 02 01 02 (2x) 2x Slot LED 8W, 36°, 2700K
 WLSLRAIL 01 (30x) Magnetic rail for DOTSI black, length 30cm

WL DRIVER13 Driver mains dimmable 36W

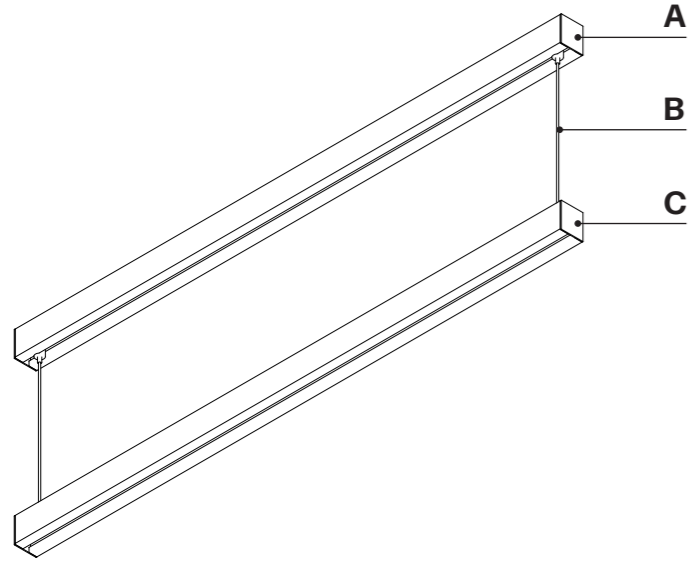
Example of slot track configuration possibilities



Slot track suspension fixed



Summary slot track suspension fixed basic parts



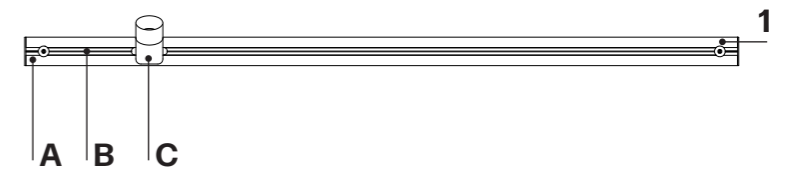
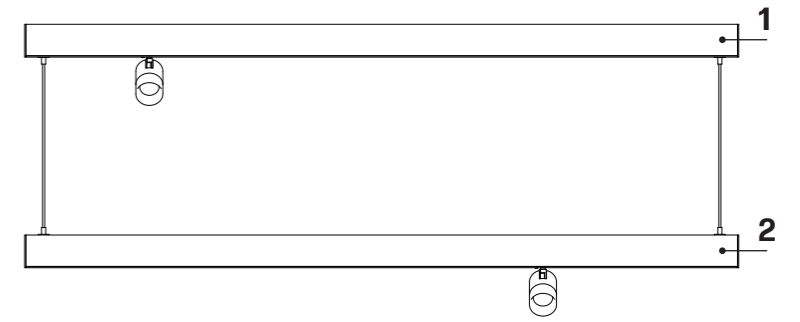
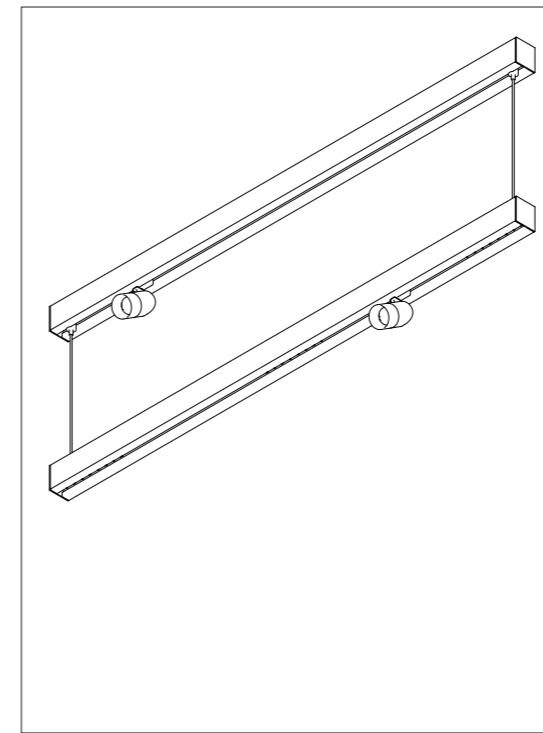
- A:** Slot track **ceiling profile**
This is where the main power comes in and the drivers for the suspended profile are located. Magnetic rail for the dotsi spots can also be provided in the ceiling profile.
- B:** Standard **24V cable** max. 2500mm
Available in white and black version. Cable lengths longer than 2500mm are available on request.
- C:** Slot track **suspended profile**
To be completed with optional 4W/8W LED modules and/or magnetic rail for dotsi.

Example of configured fixture suspension fixed

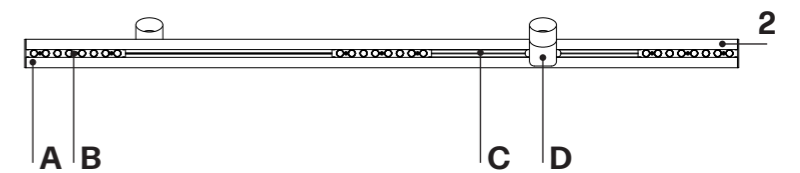
Slot track Suspension fixed | ano bronze 60cm | 2x8W 2700K 36° | black dot rail 30cm | mains dim.

- CODES:**
- WLSLTRACK 010203 (60x)** Suspension fixed profile color bronze, length 60cm
 - WLSLTRACK 02 03 (2x)** End cap color bronze (2x 2pcs.)
 - WLSLLED 01 02 01 02 (2x)** 2x Slot LED 8W, 36°, 2700K
 - WLSLRAIL 01 (30x)** Magnetic rail for DOTSI black, length 30cm
 - WL DRIVER13** Driver mains dimmable 36W

Example of slot track suspension fixed configuration possibilities



- A:** White line **slot track ceiling profile**
- B:** Magnetic **dotsi-rail**
- C:** Magnetic spot **dotsi**



- A:** White line **slot track suspended profile**
- B:** White line **slot LED**
- C:** Magnetic **dotsi-rail**
- D:** Magnetic spot **dotsi**



White Line Slot trimless

Custom made

Configure your custom made fixture

1. Choose your slot trimless profile

| Type | Description | Item code |
|--|--|-------------------|
| Length: 82mm (visual 52mm) | SL Trimless empty profile Length: 82mm (visual 52mm) Colour: White | WLSLT 0001 |
| | SL Trimless empty profile Length: 82mm (visual 52mm) Colour: Black | WLSLT 0002 |
| Length: 250mm (visual 150mm) | SL Trimless empty profile Length: 250mm (visual 150mm) Colour: White | WLSLT 0101 |
| | SL Trimless empty profile Length: 250mm (visual 150mm) Colour: Black | WLSLT 0102 |
| Length: 500mm (visual 400mm) | SL Trimless empty profile Length: 500mm (visual 400mm) Colour: White | WLSLT 0201 |
| | SL Trimless empty profile Length: 500mm (visual 400mm) Colour: Black | WLSLT 0202 |
| Length: 1600mm (visual 1500mm) | SL Trimless empty profile Length: 1600mm (visual 1500mm) Colour: White | WLSLT 0301 |
| | SL Trimless empty profile Length: 1600mm (visual 1500mm) Colour: Black | WLSLT 0302 |
| Length: 2100mm (visual 2000mm) | SL Trimless empty profile Length: 2100mm (visual 2000mm) Colour: White | WLSLT 0401 |
| | SL Trimless empty profile Length: 2100mm (visual 2000mm) Colour: Black | WLSLT 0402 |
| Length: 3100mm (visual 3000mm) | SL Trimless empty profile Length: 3100mm (visual 3000mm) Colour: White | WLSLT 0501 |
| | SL Trimless empty profile Length: 3100mm (visual 3000mm) Colour: Black | WLSLT 0502 |
| CUSTOM | SL Trimless empty profile Length: Custom per cm - max 590cm Colour: Custom | WLSLT XXXX |

2. Choose your LED (not obligated)

| Type | Variant | Power | CCT | Beam angle |
|----------------|---------|--------------|----------|------------|
| WLSLLED | 01 - | 01 4W (9cm) | 01 2700K | 01 24° |
| | | 02 8W (19cm) | 02 3000K | 02 36° |
| | | | 03 4000K | 03 80° |

3. Choose magnetic track for dotsi (not obligated)

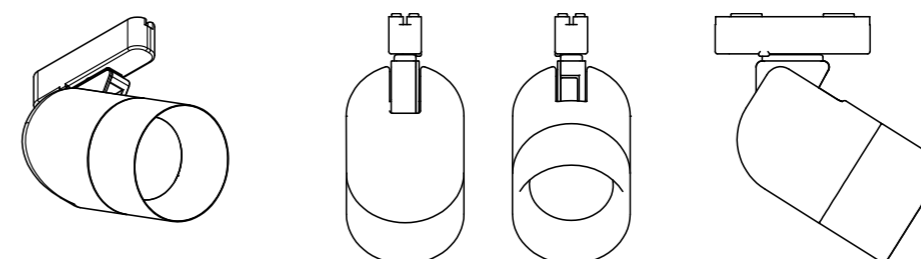
| Type (per cm) | Colour |
|-------------------------------------|----------------|
| WLSLRAIL (only for dotsi) | 01 Black |
| | 02 Chrome |
| | 03 Matt chrome |

4. Choose your dotsi if you have provided magnetic rail (not obligated)














| Type | Variant | Housing | Frontring | Frontring colour | CCT |
|----------------|-----------|------------------|-------------------------|------------------|----------|
| WLDOTSI | 01 ø 38mm | 01 White RAL9016 | 01 Antiglare tube short | 01 White RAL9016 | 01 2700K |
| | | 02 Ano black | 02 Spot tube short | 02 Ano black | 02 3000K |
| | | 03 Ano champagne | 03 Antiglare tube long | 03 Ano champagne | 03 4000K |
| | | 04 Ano bronze | 04 Spot tube long | 04 Ano bronze | |

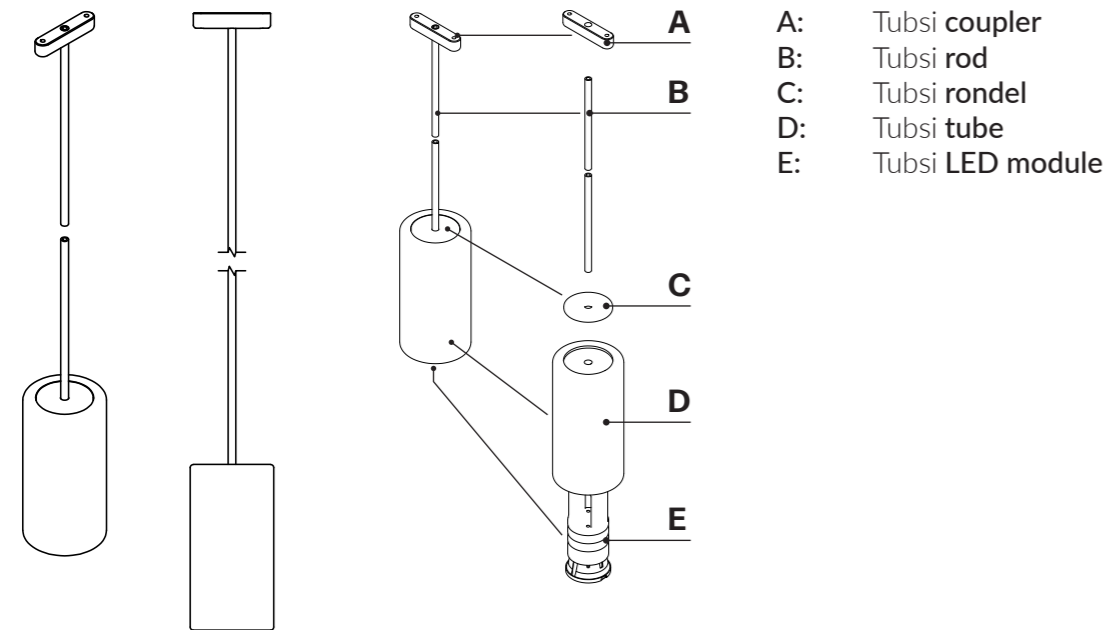
Required option

| | |
|--------------------------|-----------------------------------|
| WL DOTSI 01LENS01 | Lens for Dotsi ø38mm - 15° |
| WL DOTSI 01LENS02 | Lens for Dotsi ø38mm - 20° |
| WL DOTSI 01LENS03 | Lens for Dotsi ø38mm - 30° |
| WL DOTSI 01LENS04 | Lens for Dotsi ø38mm - 40° |
| WL DOTSI 01LENS05 | Lens for Dotsi ø38mm - 45x20° |
| WL DOTSI 01LENS06 | Lens for Dotsi ø38mm - Wallwasher |



5. Choose your tubsi pendant (not obligated)

| WL + MODEL | Tube | Colour rod | Length rod | CCT |
|------------|--|--|----------------|----------|
| WLTUBSI | 01  | 01  | 01 0 - 100cm | 01 2700K |
| | 02  | 02  | 02 101 - 150cm | 02 DTW |
| | 03  | 03  | 03 151 - 200cm | |
| | 04  | 04  | 04 201 - 250cm | |
| | 05  | | | |
| | 06  | | | |
| | 07  | | | |
| | 08  | | | |
| | 09  | | | |



- A: Tubsi coupler
- B: Tubsi rod
- C: Tubsi rondel
- D: Tubsi tube
- E: Tubsi LED module

6. Choose your driver

Count the total wattage of the lights for each profile before choosing a driver
 If you want split up the lights in different circuits, then you need to take 1 driver per circuit

| Type | Description | Minimum profile length | Item code |
|---------------------|-------------|------------------------|-------------------------------------|
| Non dimmable | 12W | 10cm | WL DRIVER17 |
| Mains dimmable | 36W | 30cm | WL DRIVER13 |
| | 60W | 40cm | WL DRIVER16 |
| 1-10V / DALI / PUSH | 70W | 40cm | WL DRIVER14 |
| Casambi | - | 45cm | WL CBU-TED (+ Mains dim. driver) |

Example of configured fixture

Slot trimless | black 60cm | 2x8W 2700K 36° | black dot rail 30cm | mains dim.

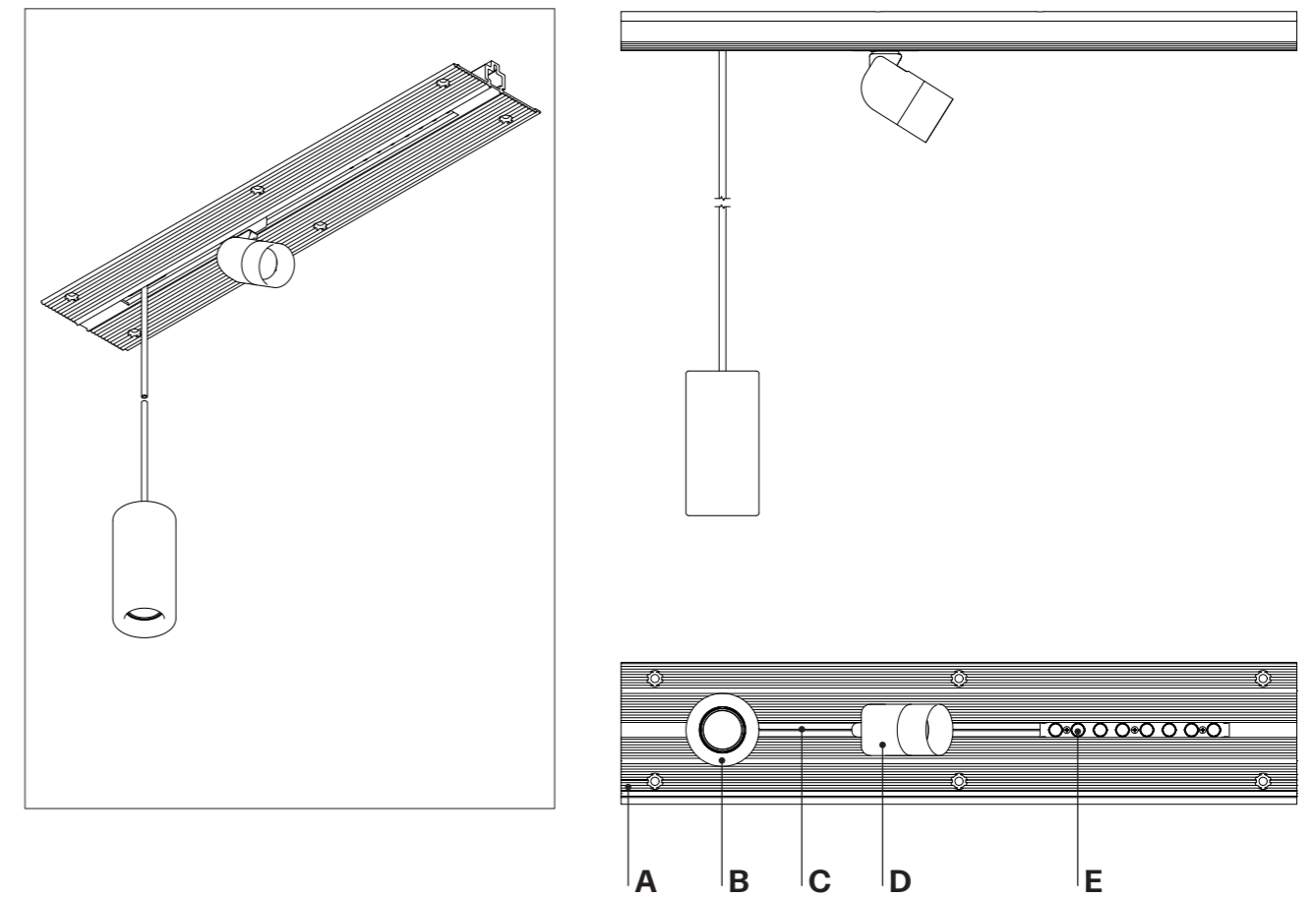
CODES:

WLSLT XXXX BLACK (60x) Profile color black, length 60cm

WLSLLED 01 02 01 02 (2x) 2x Slot LED 8W, 36°, 2700K
 WLSLRAIL 01 (30x) Magnetic rail for DOTSI black, length 30cm

WL DRIVER13 Driver mains dimmable 36W

Example of slot trimless configuration possibilities



- A: White line slot trimless profile
- B: White line tubsi
- C: Magnetic dotsi-rail
- D: Magnetic spot dotsi
- E: White line slot LED



White Line Slot in

Custom made

Configure your custom made fixture

1. Choose your slot in profile

| Type | Description | Item code |
|----------------|--|-------------|
| Length: 82mm | SL IN empty profile Length: 82mm Colour: White | WLSLIN 0001 |
| | SL IN empty profile Length: 82mm Colour: Black | WLSLIN 0002 |
| | SL IN empty profile Length: 82mm Colour: Anodised Champagne | WLSLIN 0003 |
| | SL IN empty profile Length: 82mm Colour: Anodised Bronze | WLSLIN 0004 |
| | SL IN empty profile Length: 82mm Colour: Anodised Black | WLSLIN 0005 |
| Length: 180mm | SL IN empty profile Length: 180mm Colour: White | WLSLIN 0101 |
| | SL IN empty profile Length: 180mm Colour: Black | WLSLIN 0102 |
| | SL IN empty profile Length: 180mm Colour: Anodised Champagne | WLSLIN 0103 |
| | SL IN empty profile Length: 180mm Colour: Anodised Bronze | WLSLIN 0104 |
| | SL IN empty profile Length: 180mm Colour: Anodised Black | WLSLIN 0105 |
| Length: 430mm | SL IN empty profile Length: 430mm Colour: White | WLSLIN 0201 |
| | SL IN empty profile Length: 430mm Colour: Black | WLSLIN 0202 |
| | SL IN empty profile Length: 430mm Colour: Anodised Champagne | WLSLIN 0203 |
| | SL IN empty profile Length: 430mm Colour: Anodised Bronze | WLSLIN 0204 |
| | SL IN empty profile Length: 430mm Colour: Anodised Black | WLSLIN 0205 |
| Length: 1500mm | SL IN empty profile Length: 1500mm Colour: White | WLSLIN 0301 |
| | SL IN empty profile Length: 1500mm Colour: Black | WLSLIN 0302 |
| | SL IN empty profile Length: 1500mm Colour: Anodised Champagne | WLSLIN 0303 |
| | SL IN empty profile Length: 1500mm Colour: Anodised Bronze | WLSLIN 0304 |
| | SL IN empty profile Length: 1500mm Colour: Anodised Black | WLSLIN 0305 |
| Length: 2000mm | SL IN empty profile Length: 2000mm Colour: White | WLSLIN 0401 |
| | SL IN empty profile Length: 2000mm Colour: Black | WLSLIN 0402 |
| | SL IN empty profile Length: 2000mm Colour: Anodised Champagne | WLSLIN 0403 |
| | SL IN empty profile Length: 2000mm Colour: Anodised Bronze | WLSLIN 0404 |
| | SL IN empty profile Length: 2000mm Colour: Anodised Black | WLSLIN 0405 |
| Length: 3000mm | SL IN empty profile Length: 3000mm Colour: White | WLSLIN 0501 |
| | SL IN empty profile Length: 3000mm Colour: Black | WLSLIN 0502 |
| | SL IN empty profile Length: 3000mm Colour: Anodised Champagne | WLSLIN 0503 |
| | SL IN empty profile Length: 3000mm Colour: Anodised Bronze | WLSLIN 0504 |
| | SL IN empty profile Length: 3000mm Colour: Anodised Black | WLSLIN 0505 |
| CUSTOM | SL IN empty profile Length: Custom per cm - max 590cm Colour: Custom | WLSLIN XXXX |

2. Choose your LED (not obligated)

| Type | Variant | Power | CCT | Beam angle |
|---------|---------|--------------|----------|------------|
| WLSLLED | 01 - | 01 4W (9cm) | 01 2700K | 01 24° |
| | | 02 8W (19cm) | 02 3000K | 02 36° |
| | | | 03 4000K | 03 80° |

3. Choose magnetic track for dotsi (not obligated)

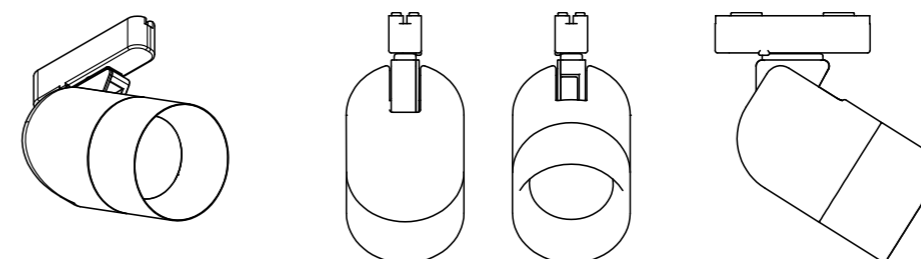
| Type (per cm) | Colour |
|------------------------------|----------------|
| WLSLRAIL (only for dotsi) | 01 Black |
| | 02 Chrome |
| | 03 Matt chrome |

4. Choose your dotsi if you have provided magnetic rail (not obligated)














| Type | Variant | Housing | Frontring | Frontring colour | CCT |
|---------|-----------|------------------|-------------------------|------------------|----------|
| WLDOTSI | 01 ø 38mm | 01 White RAL9016 | 01 Antiglare tube short | 01 White RAL9016 | 01 2700K |
| | | 02 Ano black | 02 Spot tube short | 02 Ano black | 02 3000K |
| | | 03 Ano champagne | 03 Antiglare tube long | 03 Ano champagne | 03 4000K |
| | | 04 Ano bronze | 04 Spot tube long | 04 Ano bronze | |

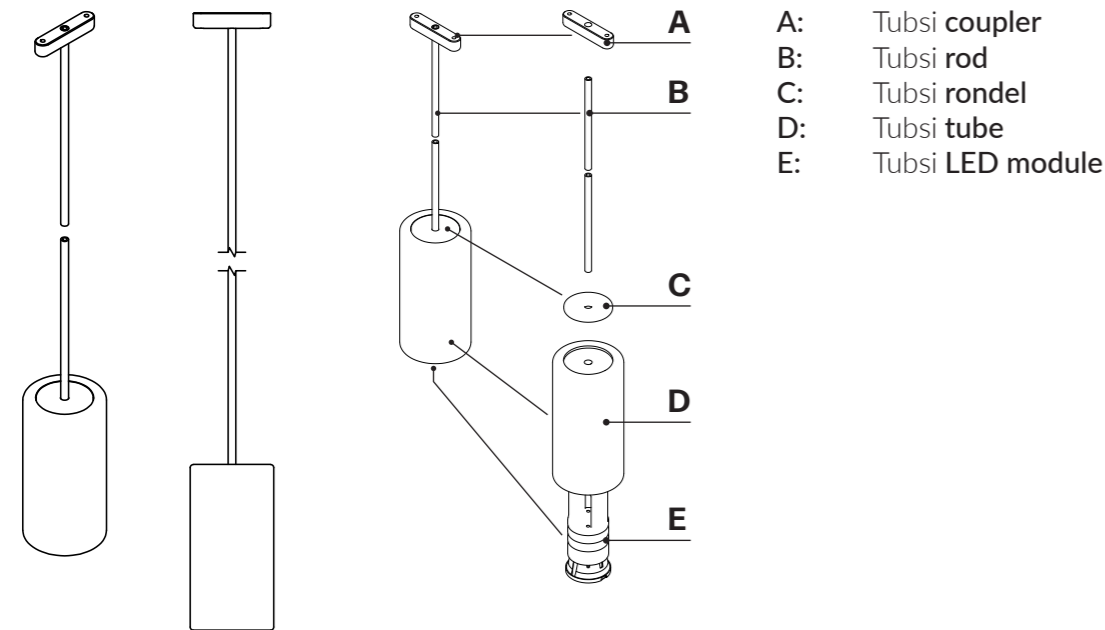
Required option

- WL DOTSI 01LENS01 Lens for Dotsi ø38mm - 15°
- WL DOTSI 01LENS02 Lens for Dotsi ø38mm - 20°
- WL DOTSI 01LENS03 Lens for Dotsi ø38mm - 30°
- WL DOTSI 01LENS04 Lens for Dotsi ø38mm - 40°
- WL DOTSI 01LENS05 Lens for Dotsi ø38mm - 45x20°
- WL DOTSI 01LENS06 Lens for Dotsi ø38mm - Wallwasher



5. Choose your tubsi pendant (not obligated)

| WL + MODEL | Tube | Colour rod | Length rod | CCT |
|------------|--|--|----------------|----------|
| WLTUBSI | 01  | 01  | 01 0 - 100cm | 01 2700K |
| | 02  | 02  | 02 101 - 150cm | 02 DTW |
| | 03  | 03  | 03 151 - 200cm | |
| | 04  | 04  | 04 201 - 250cm | |
| | 05  | | | |
| | 06  | | | |
| | 07  | | | |
| | 08  | | | |
| | 09  | | | |



6. Choose your driver

Count the total wattage of the lights for each profile before choosing a driver
 If you want split up the lights in different circuits, then you need to take 1 driver per circuit

| Type | Description | Minimum profile length | Item code |
|---------------------|-------------|------------------------|-------------------------------------|
| Non dimmable | 12W | 10cm | WL DRIVER17 |
| Mains dimmable | 36W | 30cm | WL DRIVER13 |
| | 60W | 40cm | WL DRIVER16 |
| 1-10V / DALI / PUSH | 70W | 40cm | WL DRIVER14 |
| Casambi | - | 45cm | WL CBU-TED (+ Mains dim. driver) |

Example of configured fixture

Slot in | black 60cm | 2x8W 2700K 36° | black dot rail 30cm | mains dim.

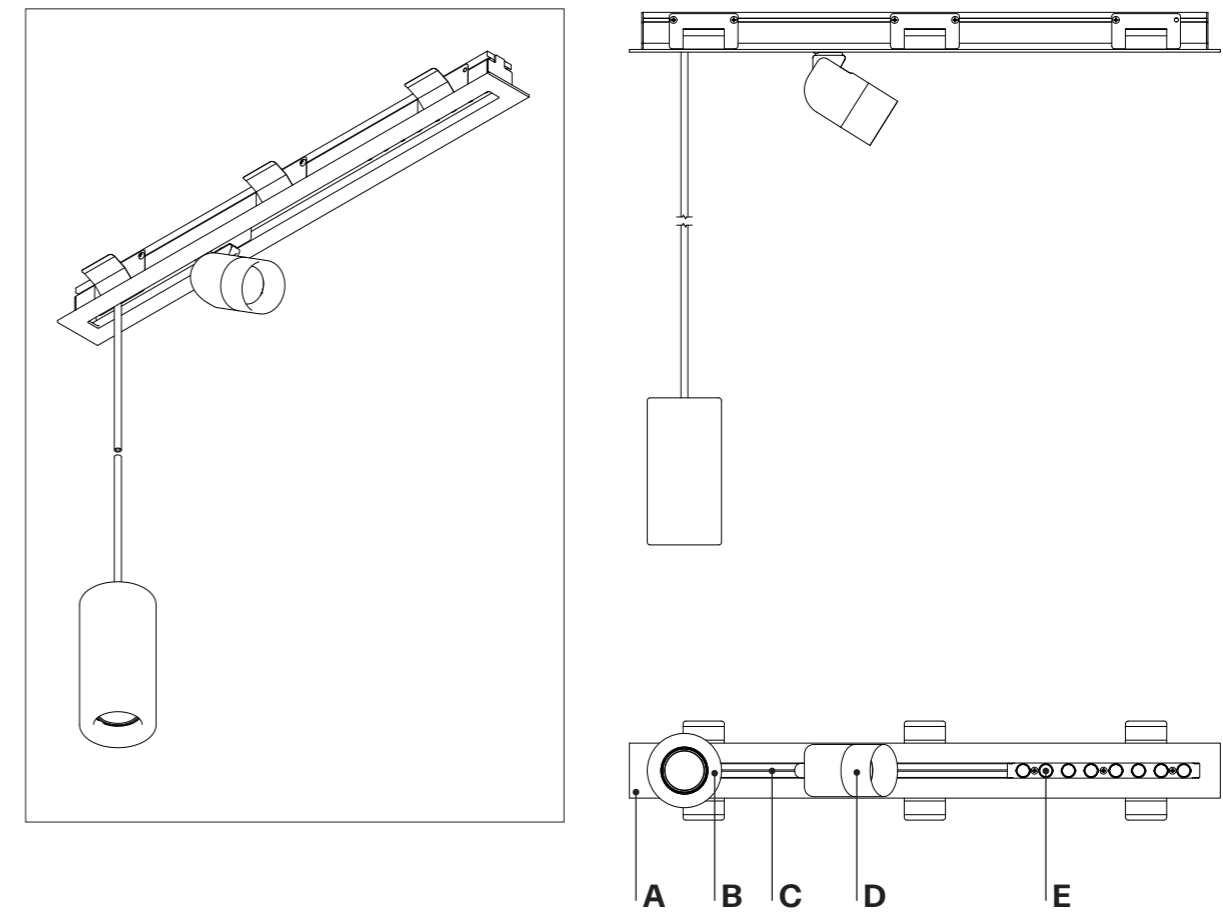
CODES:

WLSLIN XXXX BLACK (60x) Profile color black, length 60cm

WLSLLED 01 02 01 02 (2x) 2x Slot LED 8W, 36°, 2700K
 WLSLRAIL 01 (30x) Magnetic rail for DOTSI black, length 30cm

WL DRIVER13 Driver mains dimmable 36W

Example of slot trimless configuration possibilities



A: White line slot in profile
B: White line tubsi
C: Magnetic dotsi-rail
D: Magnetic spot dotsi
E: White line slot LED



White Line Slot small

Custom made

Configure your custom made fixture

1. Choose your slot small profile (bottom)

| Type | Description | Item code |
|----------------|--|------------|
| Length: 82mm | SL SMALL bottom profile Length: 82mm Colour: White | WLSLS 0001 |
| | SL SMALL bottom profile Length: 82mm Colour: Black | WLSLS 0002 |
| Length: 180mm | SL SMALL bottom profile Length: 180mm Colour: White | WLSLS 0101 |
| | SL SMALL bottom profile Length: 180mm Colour: Black | WLSLS 0102 |
| Length: 430mm | SL SMALL bottom profile Length: 480mm Colour: White | WLSLS 0201 |
| | SL SMALL bottom profile Length: 480mm Colour: Black | WLSLS 0202 |
| Length: 1500mm | SL SMALL bottom profile Length: 1500mm Colour: White | WLSLS 0301 |
| | SL SMALL bottom profile Length: 1500mm Colour: Black | WLSLS 0302 |
| Length: 2000mm | SL SMALL bottom profile Length: 2000mm Colour: White | WLSLS 0401 |
| | SL SMALL bottom profile Length: 2000mm Colour: Black | WLSLS 0402 |
| Length: 3000mm | SL SMALL bottom profile Length: 3000mm Colour: White | WLSLS 0501 |
| | SL SMALL bottom profile Length: 3000mm Colour: Black | WLSLS 0502 |
| CUSTOM | SL SMALL bottom profile Length: Custom per cm - max 590cm Colour: Custom | WLSLS XXXX |

2. Choose your slot in profile (cover)

| Type | Description | Item code |
|---------------|--|-------------|
| Length: 82mm | SL IN empty profile Length: 82mm Colour: White | WLSLIN 0001 |
| | SL IN empty profile Length: 82mm Colour: Black | WLSLIN 0002 |
| | SL IN empty profile Length: 82mm Colour: Anodised Champagne | WLSLIN 0003 |
| | SL IN empty profile Length: 82mm Colour: Anodised Bronze | WLSLIN 0004 |
| | SL IN empty profile Length: 82mm Colour: Anodised Black | WLSLIN 0005 |
| Length: 180mm | SL IN empty profile Length: 180mm Colour: White | WLSLIN 0101 |
| | SL IN empty profile Length: 180mm Colour: Black | WLSLIN 0102 |
| | SL IN empty profile Length: 180mm Colour: Anodised Champagne | WLSLIN 0103 |
| | SL IN empty profile Length: 180mm Colour: Anodised Bronze | WLSLIN 0104 |
| | SL IN empty profile Length: 180mm Colour: Anodised Black | WLSLIN 0105 |
| Length: 430mm | SL IN empty profile Length: 430mm Colour: White | WLSLIN 0201 |
| | SL IN empty profile Length: 430mm Colour: Black | WLSLIN 0202 |
| | SL IN empty profile Length: 430mm Colour: Anodised Champagne | WLSLIN 0203 |
| | SL IN empty profile Length: 430mm Colour: Anodised Bronze | WLSLIN 0204 |
| | SL IN empty profile Length: 430mm Colour: Anodised Black | WLSLIN 0205 |

| | | |
|----------------|--|-------------|
| Length: 1500mm | SL IN empty profile Length: 1500mm Colour: White | WLSLIN 0301 |
| | SL IN empty profile Length: 1500mm Colour: Black | WLSLIN 0302 |
| | SL IN empty profile Length: 1500mm Colour: Anodised Champagne | WLSLIN 0303 |
| | SL IN empty profile Length: 1500mm Colour: Anodised Bronze | WLSLIN 0304 |
| | SL IN empty profile Length: 1500mm Colour: Anodised Black | WLSLIN 0305 |
| Length: 2000mm | SL IN empty profile Length: 2000mm Colour: White | WLSLIN 0401 |
| | SL IN empty profile Length: 2000mm Colour: Black | WLSLIN 0402 |
| | SL IN empty profile Length: 2000mm Colour: Anodised Champagne | WLSLIN 0403 |
| | SL IN empty profile Length: 2000mm Colour: Anodised Bronze | WLSLIN 0404 |
| | SL IN empty profile Length: 2000mm Colour: Anodised Black | WLSLIN 0405 |
| Length: 3000mm | SL IN empty profile Length: 3000mm Colour: White | WLSLIN 0501 |
| | SL IN empty profile Length: 3000mm Colour: Black | WLSLIN 0502 |
| | SL IN empty profile Length: 3000mm Colour: Anodised Champagne | WLSLIN 0503 |
| | SL IN empty profile Length: 3000mm Colour: Anodised Bronze | WLSLIN 0504 |
| | SL IN empty profile Length: 3000mm Colour: Anodised Black | WLSLIN 0505 |
| CUSTOM | SL IN empty profile Length: Custom per cm - max 590cm Colour: Custom | WLSLIN XXXX |

3. Choose your profile end cap

| Type | Description | Item code |
|--------------------|---|----------------|
| White | End cap, white (RAL9016) for SLOT SMALL (2pcs) | WLSLS ENDCAP01 |
| Black | End cap, black (RAL9005) for SLOT SMALL (2pcs) | WLSLS ENDCAP02 |
| Anodised champagne | End cap, anodised champagne for SLOT SMALL (2pcs) | WLSLS ENDCAP03 |
| Anodised bronze | End cap, anodised bronze for SLOT SMALL (2pcs) | WLSLS ENDCAP04 |
| Anodised black | End cap, anodised black for SLOT SMALL (2pcs) | WLSLS ENDCAP05 |
| Custom color | End cap, custom colour for SLOT SMALL (2pcs) | WLSLS ENDCAPXX |

4. Choose your LED (not obligated)

| Type | Variant | Power | CCT | | Beam angle | |
|---------|---------|--------------|----------|--------|------------|----|
| | | | 01 | 02 | 01 | 02 |
| WLSLLED | - | 01 4W (9cm) | 01 2700K | 01 24° | | |
| | | 02 8W (19cm) | 02 3000K | 02 36° | | |
| | | | 03 4000K | 03 80° | | |

5. Choose magnetic track for dotsi (not obligated)

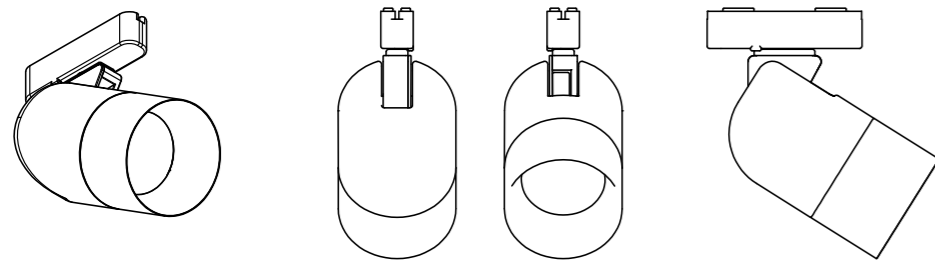
| Type (per cm) | Colour | |
|-----------------------------|--------|-------------|
| WLSRAIL (only for dotsi) | 01 | Black |
| | 02 | Chrome |
| | 03 | Matt chrome |

6. Choose your dotsi if you have provided magnetic rail (not obligated)

| Type | Variant | Housing | Frontring | Frontring colour | CCT |
|---------|-----------|------------------|-------------------------|------------------|----------|
| WLDOTSI | 01 ø 38mm | 01 White RAL9016 | 01 Antiglare tube short | 01 White RAL9016 | 01 2700K |
| | | 02 Ano black | 02 Spot tube short | 02 Ano black | 02 3000K |
| | | 03 Ano champagne | 03 Antiglare tube long | 03 Ano champagne | 03 4000K |
| | | 04 Ano bronze | 04 Spot tube long | 04 Ano bronze | |

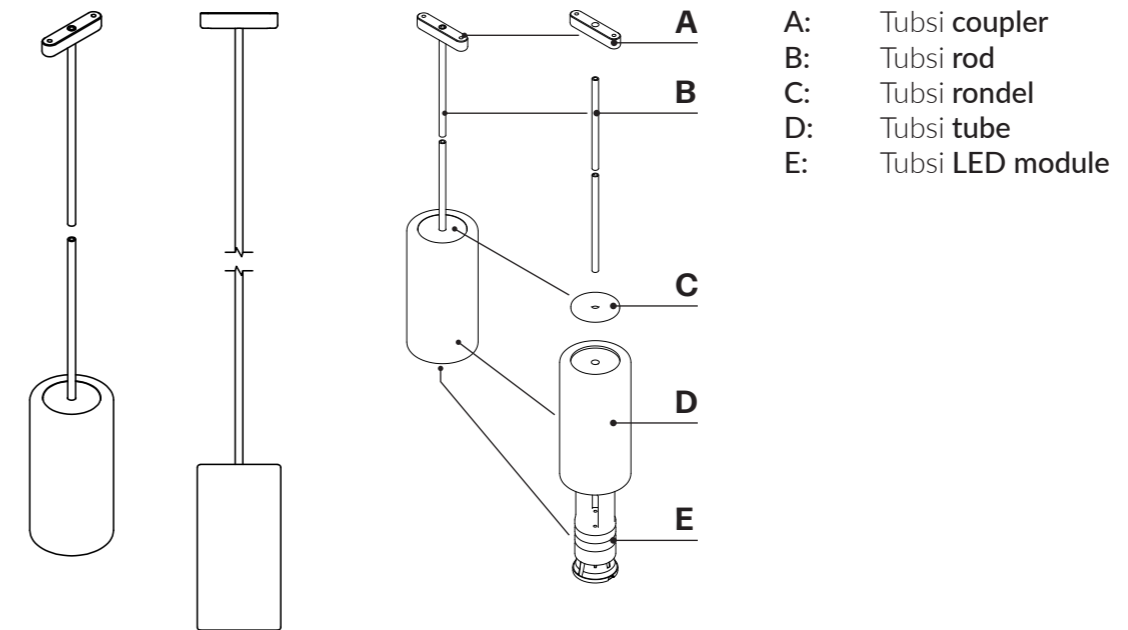
Required option

| | |
|-------------------|-----------------------------------|
| WL DOTSI 01LENS01 | Lens for Dotsi ø38mm - 15° |
| WL DOTSI 01LENS02 | Lens for Dotsi ø38mm - 20° |
| WL DOTSI 01LENS03 | Lens for Dotsi ø38mm - 30° |
| WL DOTSI 01LENS04 | Lens for Dotsi ø38mm - 40° |
| WL DOTSI 01LENS05 | Lens for Dotsi ø38mm - 45x20° |
| WL DOTSI 01LENS06 | Lens for Dotsi ø38mm - Wallwasher |



7. Choose your tubsi pendant (not obligated)

| WL + MODEL | Tube | Colour rod | Length rod | CCT |
|------------|------------------|------------------|----------------|----------|
| WLTUBSI | 01 White RAL9016 | 01 White RAL9016 | 01 0 - 100cm | 01 2700K |
| | 02 Ano black | 02 Ano black | 02 101 - 150cm | 02 DTW |
| | 03 Ano champagne | 03 Ano champagne | 03 151 - 200cm | |
| | 04 Ano bronze | 04 Ano bronze | 04 201 - 250cm | |
| | 05 Travertin | | | |
| | 06 White marble | | | |
| | 07 Black marble | | | |
| | 08 Black oak | | | |
| | 09 Walnut | | | |



8. Choose your driver

Count the total wattage of the lights for each profile before choosing a driver
If you want split up the lights in different circuits, then you need to take 1 driver per circuit

| Type | Description | Minimum profile length | Item code |
|---------------------|-------------|------------------------|-------------------------------------|
| Non dimmable | 12W | 10cm | WL DRIVER17 |
| Mains dimmable | 36W | 30cm | WL DRIVER13 |
| | 60W | 40cm | WL DRIVER16 |
| 1-10V / DALI / PUSH | 70W | 40cm | WL DRIVER14 |
| Casambi | - | 45cm | WL CBU-TED (+ Mains dim. driver) |

Example of configured fixture

Slot small | black 60cm | 2x8W 2700K 36° | black dot rail 30cm | mains dim.

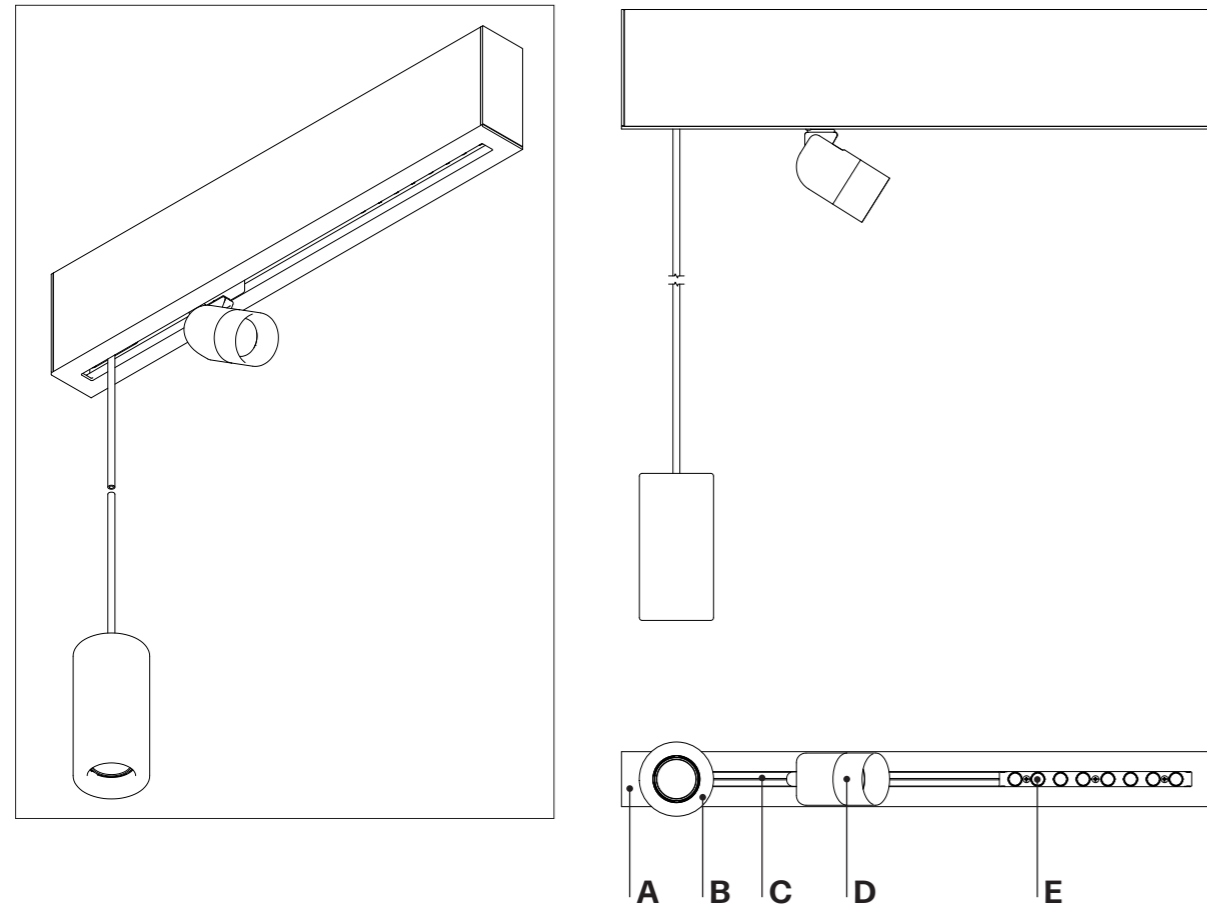
CODES:

WLSLS XXXX BLACK (60x) Slot small profile color black, length 60cm
 WLSLIN XXXX BLACK (60x) Slot in profile color black, length 60cm
 WLSLS ENDCAP02 End cap, black (RAL9005) for SLOT SMALL (2pcs)

WLSLLED 01 02 01 02 (2x) 2x Slot LED 8W, 36°, 2700K
 WLSLRAIL 01 (30x) Magnetic rail for DOTSI black, length 30cm

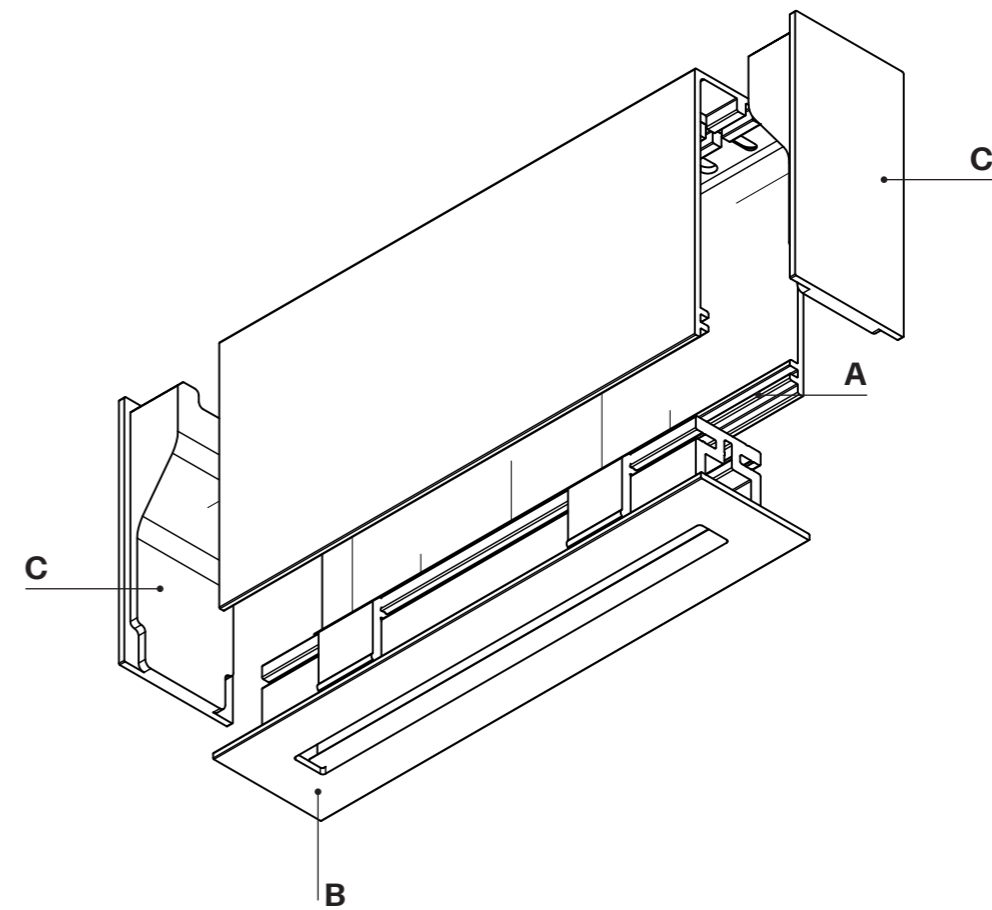
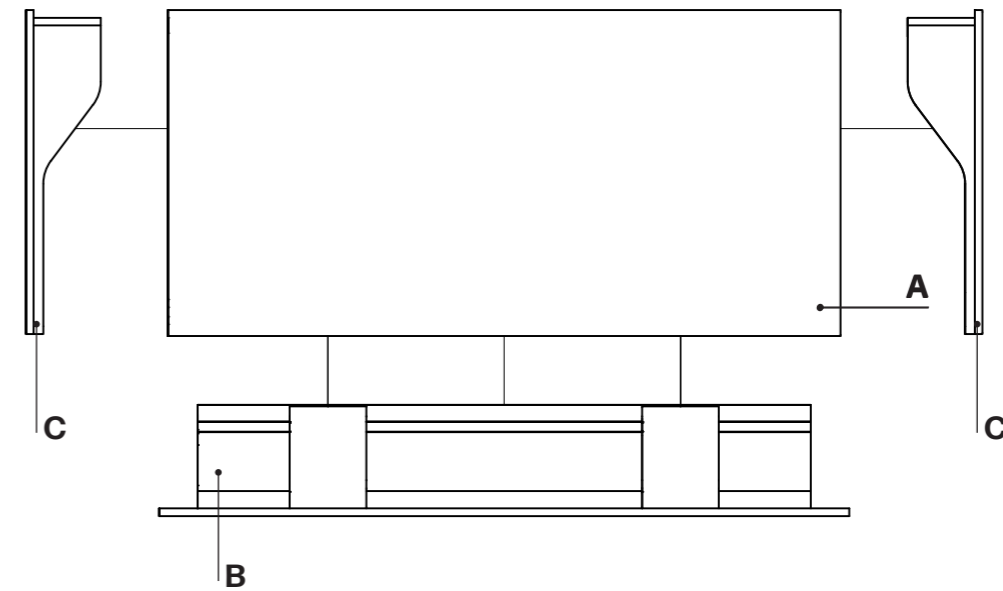
WL DRIVER13 Driver mains dimmable 36W

Example of slot trimless configuration possibilities



- A: White line slot small profile
- B: White line tubsi
- C: Magnetic dotsi-rail
- D: Magnetic spot dotsi
- E: White line slot LED

Summary slot small basic parts



- A: Slot small profile (bottom)
- B: Slot in profile (cover)
- C: Profile end cap

White Line

Nis



White Line Nis



White Line Nis



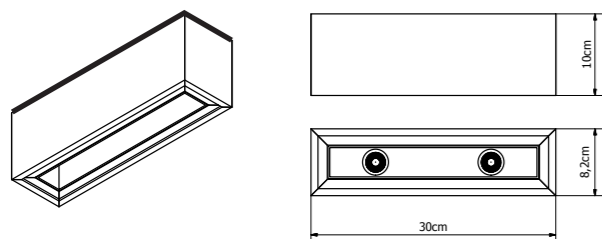
White Line Nis 300

General

Location: Interior
 Class: CE (Class I)
 IP-rating: IP20
 Driver included: Yes
 Installation orientation: Ceiling mount

Main power: 220V-240V
 Lamp included: Yes
 Dimmable: Yes
 Dimming method: Mains dimmable

Dimensions (mm): H: 300mm W: 82mm D: 100mm



Models



CODE WL13 0101 LED

Main material: Aluminium powder coated
 RAL9016 - 9005

White Line Nis **300mm**

LED: 2700K - CRI>90+ - 30°
 2xLED 6W - 1130lm - 700mA (Driver included)

Driver options

1-10V DIM WL DRIVER05
 DALI DIM WL DRIVER07 (Place remotely)



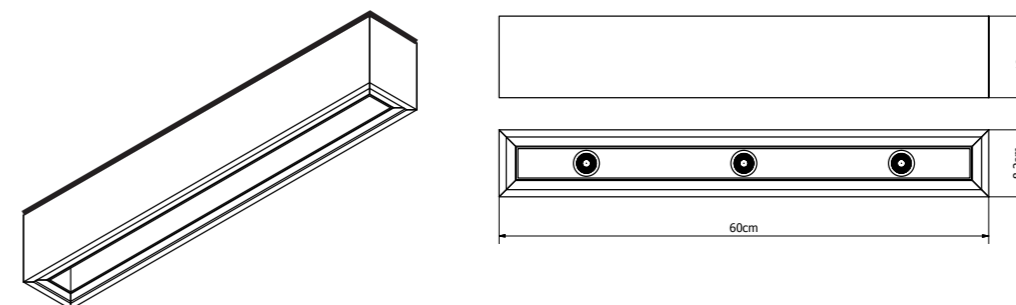
White Line Nis 600

General

Location: Interior
 Class: CE (Class I)
 IP-rating: IP20
 Driver included: Yes
 Installation orientation: Ceiling mount

Main power: 220V-240V
 Lamp included: Yes
 Dimmable: Yes
 Dimming method: Mains dimmable

Dimensions (mm): H: 600mm W: 82mm D: 100mm



Models



CODE WL13 0102 LED

Main material: Aluminium powder coated
 RAL9016 - 9005

White Line Nis **600mm**

LED: 2700K - CRI>90+ - 30°
 3xLED 6W - 1700lm - 700mA (Driver included)

Driver options

1-10V DIM WL DRIVER05
 DALI DIM WL DRIVER07



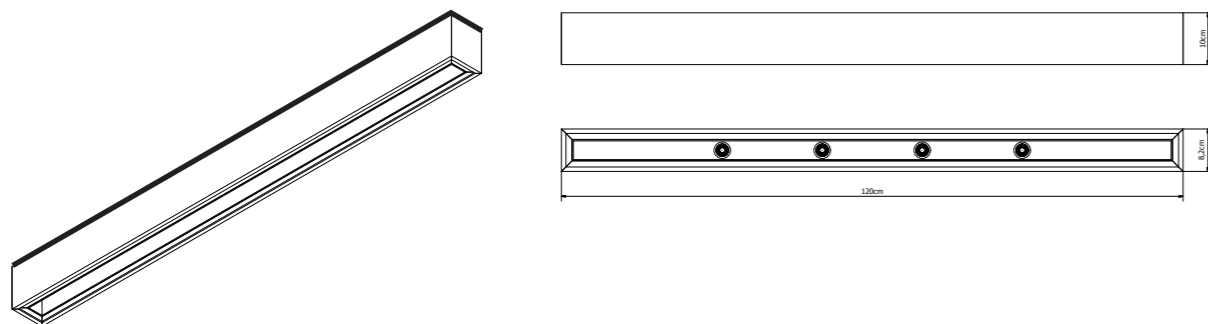
White Line Nis 1200

General

Location: Interior
 Class: CE (Class I)
 IP-rating: IP20
 Driver included: Yes
 Installation orientation: Ceiling mount

Main power: 220V-240V
 Lamp included: Yes
 Dimmable: Yes
 Dimming method: Mains dimmable

Dimensions (mm): H: 1200mm W: 82mm D: 100mm



Models



CODE WL12 0103 LED
Main material: Aluminium powder coated
 RAL9016 - 9005

White Line Nis **1200mm**

LED: 2700K - CRI>90+ - 30°
 3xLED 6W - 2270lm - 700mA
 (Driver included)

Driver options

1-10V DIM WL DRIVER06
 DALI DIM WL DRIVER08



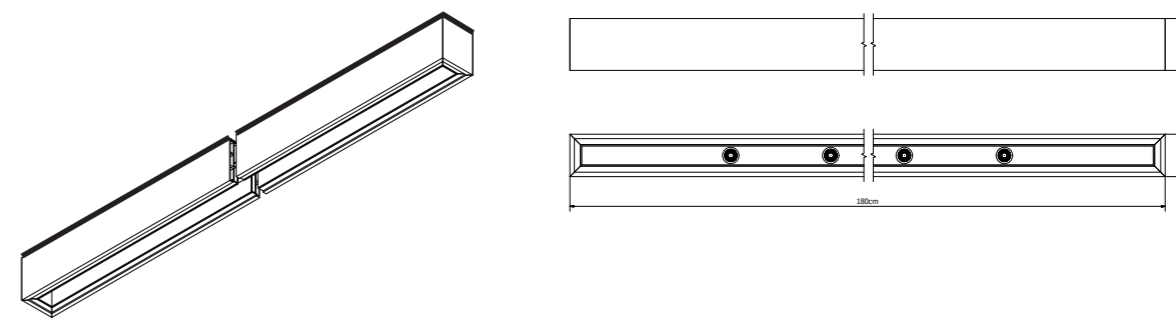
White Line Nis 1800

General

Location: Interior
 Class: CE (Class I)
 IP-rating: IP20
 Driver included: Yes
 Installation orientation: Ceiling mount

Main power: 220V-240V
 Lamp included: Yes
 Dimmable: Yes
 Dimming method: Mains dimmable

Dimensions (mm): H: 1800mm W: 82mm D: 100mm



Models



CODE WL12 0104 LED
Main material: Aluminium powder coated
 RAL9016 - 9005

White Line Nis **1800mm**

LED: 2700K - CRI>90+ - 30°
 6xLED 6W - 3400lm - 700mA
 (Driver included)

Driver options

1-10V DIM WL DRIVER06-02
 DALI DIM WL DRIVER08



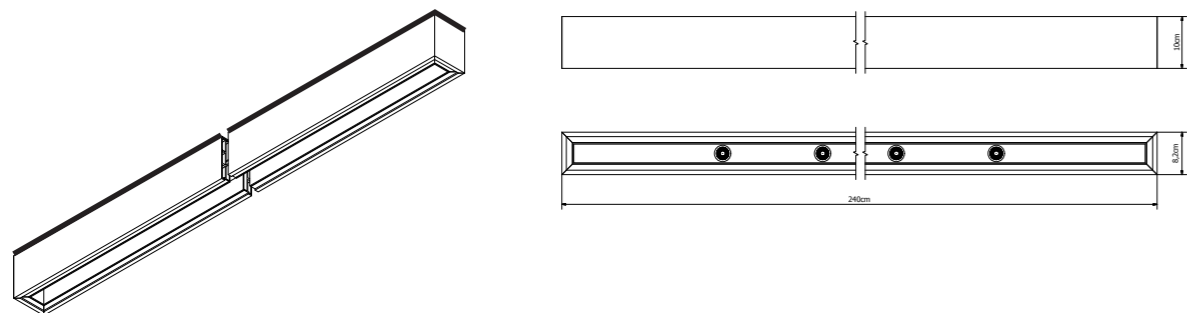
White Line Nis 2400

General

Location: Interior
 Class: CE (Class I)
 IP-rating: IP20
 Driver included: Yes
 Installation orientation: Ceiling mount

Main power: 220V-240V
 Lamp included: Yes
 Dimmable: Yes
 Dimming method: Mains dimmable

Dimensions (mm): H: 2400mm W: 82mm D: 100mm



Models



CODE WL12 0105 LED
Main material: Aluminium powder coated
 RAL9016 - 9005

White Line Nis **2400mm**

LED: 2700K - CRI>90+ - 30°
 8xLED 6W - 4540lm - 700mA
 (Driver included)

Driver options

1-10V DIM WL DRIVER06-02
 DALI DIM WL DRIVER08-02



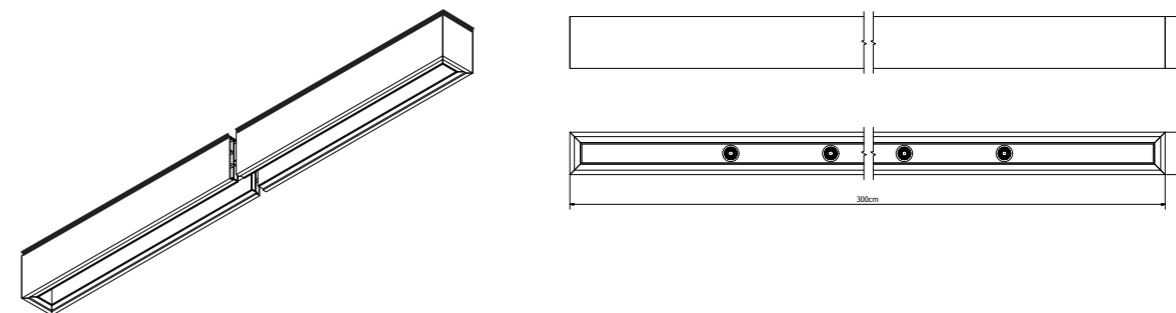
White Line Nis 3000

General

Location: Interior
 Class: CE (Class I)
 IP-rating: IP20
 Driver included: Yes
 Installation orientation: Ceiling mount

Main power: 220V-240V
 Lamp included: Yes
 Dimmable: Yes
 Dimming method: Mains dimmable

Dimensions (mm): H: 3000mm W: 82mm D: 100mm



Models



CODE WL12 0106 LED
Main material: Aluminium powder coated
 RAL9016 - 9005

White Line Nis **3000mm**

LED: 2700K - CRI>90+ - 30°
 10xLED 6W - 5680lm - 700mA
 (Driver included)

Driver options

1-10V DIM WL DRIVER06-02
 DALI DIM WL DRIVER08-02

White Line

AR48

White Line AR48 uno small



White Line AR48 uno small





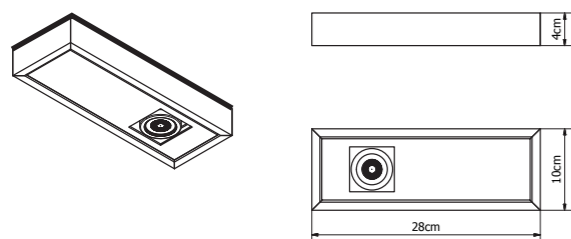
White Line AR48 uno small

General

Location: Interior
Class: CE (Class I)
IP-rating: IP20
Driver included: Yes
Installation orientation: Ceiling mount

Main power: 220V-240V
Lamp included: Yes
Dimmable: Yes
Dimming method: Mains dimmable

Dimensions (mm): H: 280mm W: 100mm D: 40mm



Required options (*)

WL H40 REFLECTOR SPOT WL H40 reflector spot 19°
 or
WL H40 REFLECTOR FLOOD WL H40 reflector flood 34°

Driver options

1-10V DIM WL DRIVER05
1-10V DIM DTW WL DRIVER05

DALI DIM WL DRIVER07 (Place remotely)
DALI DIM DTW WL DRIVER07 (Place remotely)

Other options

WL H40 HC AR48 LED Honeycomb (only for high ring)

Models



CODE WL10 0101 LED (*)
Main material: Aluminium powder coated RAL9016

White Line AR48 uno small

LED: 2700K - CRI>97
 1xLED 4W - 400lm - 350mA (Driver included)



CODE WL10 0101 LEDH (*)
Main material: Aluminium powder coated RAL9016

White Line AR48 uno small - **high ring**

LED: 2700K - CRI>97
 1xLED 4W - 400lm - 350mA (Driver included)



CODE WL10 0101 LEDDTW (*)
Main material: Aluminium powder coated RAL9016

White Line AR48 uno small - **dim to warm**

LED: 2800K-1800K - CRI>95
 1xLED 4W - 480lm - 250mA (Driver included)

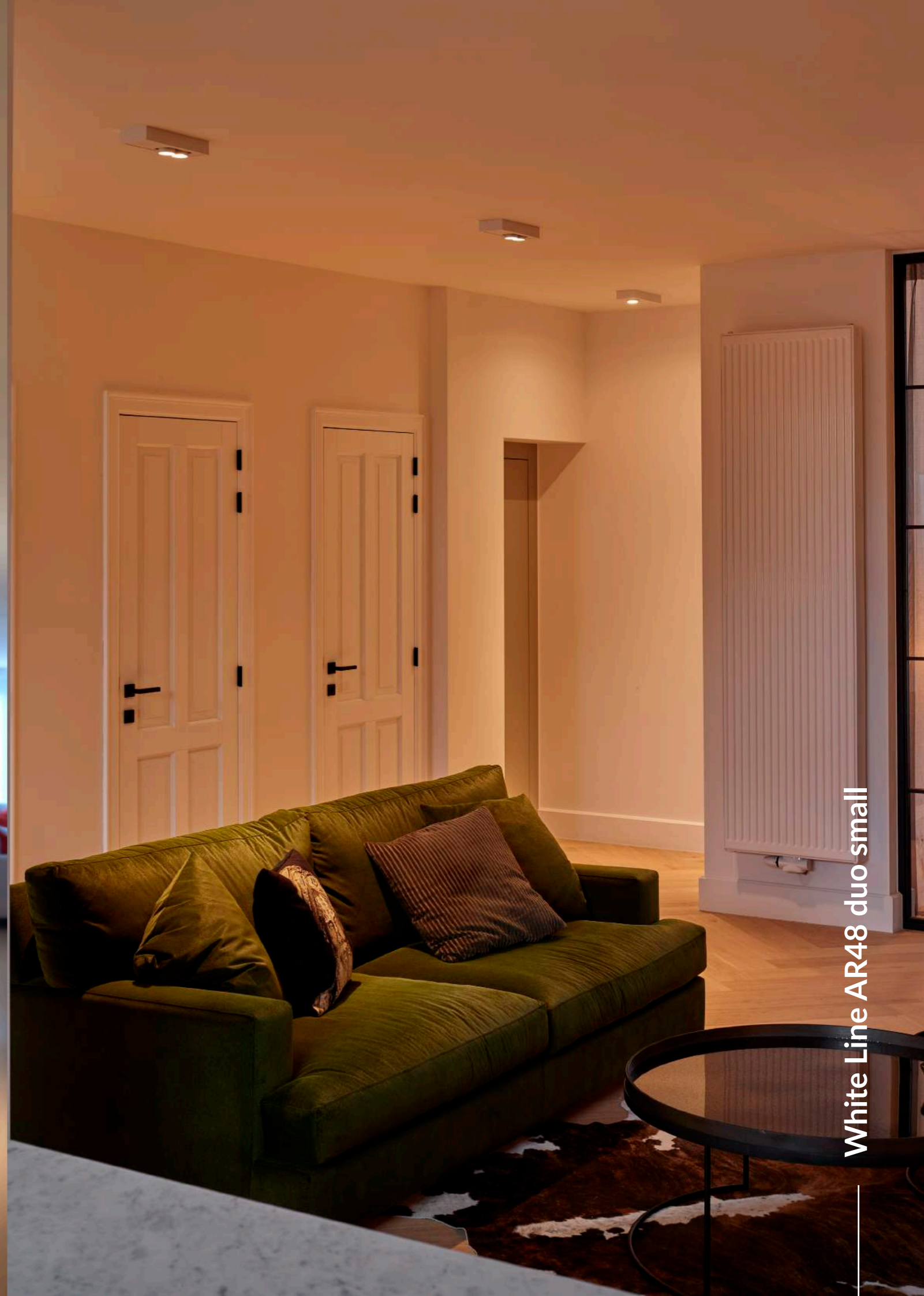


CODE WL10 0101 LEDHDTW (*)
Main material: Aluminium powder coated RAL9016

White Line AR48 uno small - **high ring - dim to warm**

LED: 2800K-1800K - CRI>95
 1xLED 4W - 480lm - 250mA (Driver included)

White Line AR48 duo small



White Line AR48 duo small



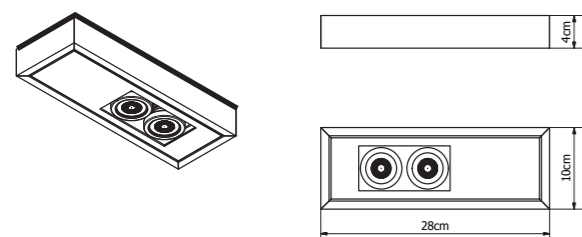
White Line AR48 duo small

General

Location: Interior
Class: CE (Class I)
IP-rating: IP20
Driver included: Yes
Installation orientation: Ceiling mount

Main power: 220V-240V
Lamp included: Yes
Dimmable: Yes
Dimming method: Mains dimmable

Dimensions (mm): H: 280mm W: 100mm D: 40mm



Required options (*)

WL H40 REFLECTOR SPOT WL H40 reflector spot 19°
 or
WL H40 REFLECTOR FLOOD WL H40 reflector flood 34°

Driver options

1-10V DIM WL DRIVER05 (Place remotely)
1-10V DIM DTW WL DRIVER05 (Place remotely)

DALI DIM WL DRIVER07 (Place remotely)
DALI DIM DTW WL DRIVER07 (Place remotely)

Other options

WL H40 HC AR48 LED Honeycomb (only for high ring)

Models



CODE WL10 0102 LED (*)
Main material: Aluminium powder coated RAL9016

White Line AR48 duo small

LED: 2700K - CRI>97
 2xLED 4W - 800lm - 350mA (Driver included)



CODE WL10 0102 LEDH (*)
Main material: Aluminium powder coated RAL9016

White Line AR48 duo small - **high ring**

LED: 2700K - CRI>97
 2xLED 4W - 800lm - 350mA (Driver included)



CODE WL10 0102 LEDDTW (*)
Main material: Aluminium powder coated RAL9016

White Line AR48 duo small - **dim to warm**

LED: 2800K-1800K - CRI>95
 2xLED 4W - 960lm - 250mA (Driver included)



CODE WL10 0102 LEDHDTW (*)
Main material: Aluminium powder coated RAL9016

White Line AR48 duo small - **high ring - dim to warm**

LED: 2800K-1800K - CRI>95
 2xLED 4W - 960lm - 250mA (Driver included)

White Line AR48 uno



White Line AR48 uno



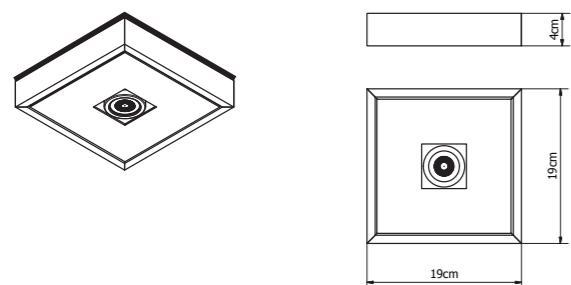
White Line AR48 uno

General

Location: Interior
 Class: CE (Class I)
 IP-rating: IP20
 Driver included: Yes
 Installation orientation: Ceiling mount

Main power: 220V-240V
 Lamp included: Yes
 Dimmable: Yes
 Dimming method: Mains dimmable

Dimensions (mm): H: 190mm W: 190mm D: 40mm



Required options (*)

WL H40 REFLECTOR SPOT or WL H40 REFLECTOR FLOOD
 WL H40 reflector spot 19°
 WL H40 reflector flood 34°

Driver options

1-10V DIM WL DRIVER05 (Place remotely)
 1-10V DIM DTW WL DRIVER05 (Place remotely)

DALI DIM WL DRIVER07 (Place remotely)
 DALI DIM DTW WL DRIVER07 (Place remotely)

Other options

WL H40 HC AR48 LED Honeycomb (only for high ring)

Models



CODE WL08 0101 LED (*)
 Main material: Aluminium powder coated RAL9016

White Line AR48 uno

LED: 2700K - CRI>97
 1xLED 4W - 400lm - 350mA (Driver included)



CODE WL08 0101 LEDH (*)
 Main material: Aluminium powder coated RAL9016

White Line AR48 uno - **high ring**

LED: 2700K - CRI>97
 1xLED 4W - 400lm - 350mA (Driver included)



CODE WL08 0101 LEDDTW (*)
 Main material: Aluminium powder coated RAL9016

White Line AR48 uno - **dim to warm**

LED: 2800K-1800K - CRI>95
 1xLED 4W - 480lm - 250mA (Driver included)



CODE WL08 0101 LEDHDTW (*)
 Main material: Aluminium powder coated RAL9016

White Line AR48 uno - **high ring - dim to warm**

LED: 2800K-1800K - CRI>95
 1xLED 4W - 480lm - 250mA (Driver included)

White Line AR48 duo



White Line AR48 duo





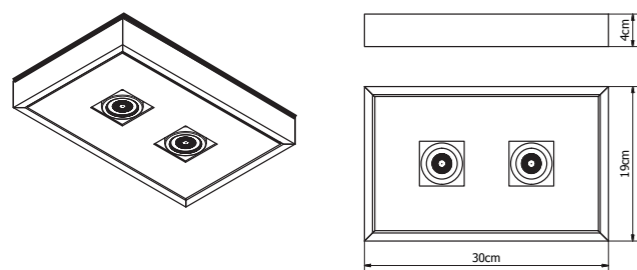
White Line AR48 duo

General

Location: Interior
Class: CE (Class I)
IP-rating: IP20
Driver included: Yes
Installation orientation: Ceiling mount

Main power: 220V-240V
Lamp included: Yes
Dimmable: Yes
Dimming method: Mains dimmable

Dimensions (mm): H: 300mm W: 190mm D: 40mm



Required options (*)

WL H40 REFLECTOR SPOT WL H40 reflector spot 19°
 or
WL H40 REFLECTOR FLOOD WL H40 reflector flood 34°

Driver options

1-10V DIM WL DRIVER06
1-10V DIM DTW WL DRIVER12

DALI DIM WL DRIVER07
DALI DIM DTW WL DRIVER07

Other options

WL H40 HC AR48 LED Honeycomb (only for high ring)

Models



CODE WL04 0101 LED (*)
Main material: Aluminium powder coated RAL9016

White Line AR48 duo

LED: 2700K - CRI>97
 2xLED 4W - 800lm - 350mA (Driver included)



CODE WL04 0101 LEDH (*)
Main material: Aluminium powder coated RAL9016

White Line AR48 duo - **high ring**

LED: 2700K - CRI>97
 2xLED 4W - 800lm - 350mA (Driver included)



CODE WL04 0101 LEDDTW (*)
Main material: Aluminium powder coated RAL9016

White Line AR48 duo - **dim to warm**

LED: 2800K-1800K - CRI>95
 2xLED 4W - 960lm - 250mA (Driver included)



CODE WL04 0101 LEDHDTW (*)
Main material: Aluminium powder coated RAL9016

White Line AR48 duo - **high ring - dim to warm**

LED: 2800K-1800K - CRI>95
 2xLED 4W - 960lm - 250mA (Driver included)



White Line AR48 tetra



White Line AR48 tetra



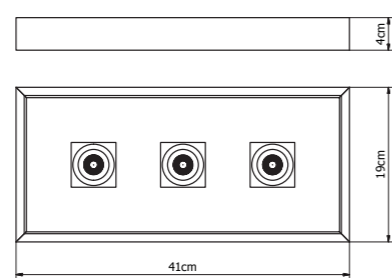
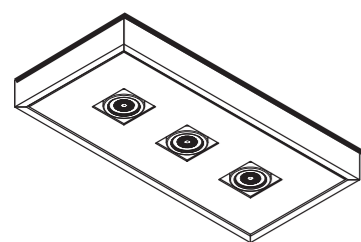
White Line AR48 tetra

General

Location: Interior
 Class: CE (Class I)
 IP-rating: IP20
 Driver included: Yes
 Installation orientation: Ceiling mount

Main power: 220V-240V
 Lamp included: Yes
 Dimmable: Yes
 Dimming method: Mains dimmable

Dimensions (mm): H: 410mm W: 190mm D: 40mm



Required options (*)

WL H40 REFLECTOR SPOT or WL H40 REFLECTOR FLOOD
 WL H40 reflector spot 19°
 WL H40 reflector flood 34°

Driver options

1-10V DIM WL DRIVER06
 1-10V DIM DTW WL DRIVER12

DALI DIM WL DRIVER08
 DALI DIM DTW WL DRIVER08

Other options

WL H40 HC AR48 LED Honeycomb (only for high ring)

Models



CODE WL11 0101 LED (*)
 Main material: Aluminium powder coated RAL9016

White Line AR48 tetra

LED: 2700K - CRI>97
 3xLED 4W - 1200lm - 350mA (Driver included)



CODE WL11 0101 LEDH (*)
 Main material: Aluminium powder coated RAL9016

White Line AR48 tetra - **high ring**

LED: 2700K - CRI>97
 3xLED 4W - 1200lm - 350mA (Driver included)



CODE WL11 0101 LEDDTW (*)
 Main material: Aluminium powder coated RAL9016

White Line AR48 tetra - **dim to warm**

LED: 2800K-1800K - CRI>95
 3xLED 4W - 1440lm - 250mA (Driver included)



CODE WL11 0101 LEDHDTW (*)
 Main material: Aluminium powder coated RAL9016

White Line AR48 tetra - **high ring - dim to warm**

LED: 2800K-1800K - CRI>95
 3xLED 4W - 1440lm - 250mA (Driver included)

White Line AR48 quadra line



White Line AR48 quadra line





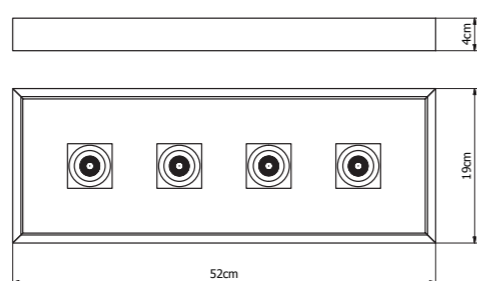
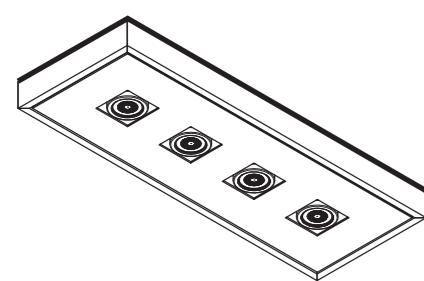
White Line AR48 quadra line

General

Location: Interior
 Class: CE (Class I)
 IP-rating: IP20
 Driver included: Yes
 Installation orientation: Ceiling mount

Main power: 220V-240V
 Lamp included: Yes
 Dimmable: Yes
 Dimming method: Mains dimmable

Dimensions (mm): H: 520mm W: 190mm D: 40mm



Required options (*)

WL H40 REFLECTOR SPOT or WL H40 REFLECTOR FLOOD WL H40 reflector spot 19°
 WL H40 reflector flood 34°

Driver options

1-10V DIM WL DRIVER06
 1-10V DIM DTW WL DRIVER12-02

DALI DIM WL DRIVER08
 DALI DIM DTW WL DRIVER07-02

Other options

WL H40 HC AR48 LED Honeycomb (only for high ring)

Models



CODE WL04 0102 LED (*)
 Main material: Aluminium powder coated RAL9016

White Line AR48 quadra line

LED: 2700K - CRI>97
 4xLED 4W - 1600lm - 350mA (Driver included)



CODE WL04 0102 LEDH (*)
 Main material: Aluminium powder coated RAL9016

White Line AR48 quadra line - **high ring**

LED: 2700K - CRI>97
 4xLED 4W - 1600lm - 350mA (Driver included)



CODE WL04 0102 LEDDTW (*)
 Main material: Aluminium powder coated RAL9016

White Line AR48 quadra line - **dim to warm**

LED: 2800K-1800K - CRI>95
 4xLED 4W - 1920lm - 250mA (Driver included)



CODE WL04 0102 LEDHDTW (*)
 Main material: Aluminium powder coated RAL9016

White Line AR48 quadra line - **high ring - dim to warm**

LED: 2800K-1800K - CRI>95
 4xLED 4W - 1920lm - 250mA (Driver included)



White Line AR48 quadra



White Line AR48 quadra



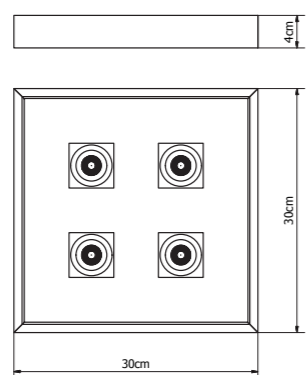
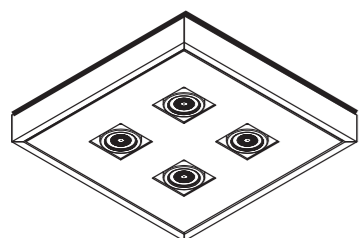
White Line AR48 quadra

General

Location: Interior
Class: CE (Class I)
IP-rating: IP20
Driver included: Yes
Installation orientation: Ceiling mount

Main power: 220V-240V
Lamp included: Yes
Dimmable: Yes
Dimming method: Mains dimmable

Dimensions (mm): H: 300mm W: 300mm D: 40mm



Required options (*)

WL H40 REFLECTOR SPOT WL H40 reflector spot 19°
 or
WL H40 REFLECTOR FLOOD WL H40 reflector flood 34°

Driver options

1-10V DIM WL DRIVER06
1-10V DIM DTW WL DRIVER12-02

DALI DIM WL DRIVER08
DALI DIM DTW WL DRIVER07-02

Other options

WL H40 HC AR48 LED Honeycomb (only for high ring)

Models



CODE WL04 0103 LED (*)
Main material: Aluminium powder coated RAL9016

White Line AR48 quadra

LED: 2700K - CRI>97
 4xLED 4W - 1600lm - 350mA (Driver included)



CODE WL04 0103 LEDH (*)
Main material: Aluminium powder coated RAL9016

White Line AR48 quadra - **high ring**

LED: 2700K - CRI>97
 4xLED 4W - 1600lm - 350mA (Driver included)



CODE WL04 0103 LEDDTW (*)
Main material: Aluminium powder coated RAL9016

White Line AR48 quadra - **dim to warm**

LED: 2800K-1800K - CRI>95
 4xLED 4W - 1920lm - 250mA (Driver included)



CODE WL04 0103 LEDHDTW (*)
Main material: Aluminium powder coated RAL9016

White Line AR48 quadra - **high ring - dim to warm**

LED: 2800K-1800K - CRI>95
 4xLED 4W - 1920lm - 250mA (Driver included)



White Line AR48 long



White Line AR48 XL



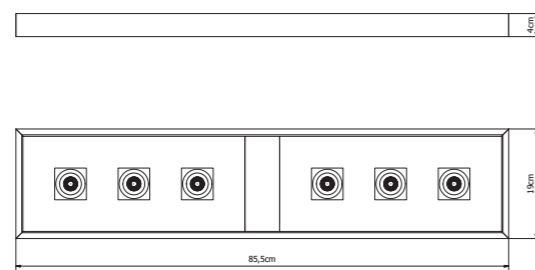
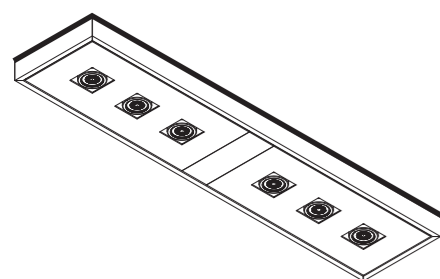
White Line AR48 long

General

Location: Interior
Class: CE (Class I)
IP-rating: IP20
Driver included: Yes
Installation orientation: Ceiling mount

Main power: 220V-240V
Lamp included: Yes
Dimmable: Yes
Dimming method: Mains dimmable

Dimensions (mm): H: 855mm W: 190mm D: 40mm



Required options (*)

WL H40 REFLECTOR SPOT or **WL H40 REFLECTOR FLOOD**
 WL H40 reflector spot 19°
 WL H40 reflector flood 34°

Driver options

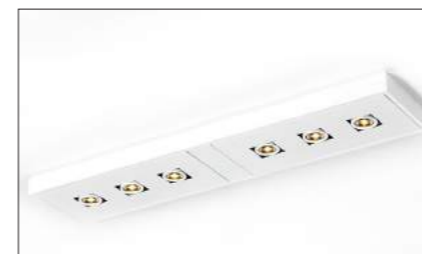
1-10V DIM WL DRIVER06-02
1-10V DIM DTW WL DRIVER12-02

DALI DIM WL DRIVER07-02
DALI DIM DTW WL DRIVER07-02

Other options

WL H40 HC AR48 LED Honeycomb (only for high ring)

Models



CODE WL09 0101 LED (*)
Main material: Aluminium powder coated RAL9016
 White Line AR48 long
LED: 2700K - CRI>97
 6xLED 4W - 2400lm - 350mA (Driver included)



CODE WL09 0101 LEDH (*)
Main material: Aluminium powder coated RAL9016
 White Line AR48 long - **high ring**
LED: 2700K - CRI>97
 6xLED 4W - 2400lm - 350mA (Driver included)



CODE WL09 0101 LEDDTW (*)
Main material: Aluminium powder coated RAL9016
 White Line AR48 long - **dim to warm**
LED: 2800K-1800K - CRI>95
 6xLED 4W - 2880lm - 250mA (Driver included)



CODE WL09 0101 LEDHDTW (*)
Main material: Aluminium powder coated RAL9016
 White Line AR48 long - **high ring - dim to warm**
LED: 2800K-1800K - CRI>95
 6xLED 4W - 2880lm - 250mA (Driver included)



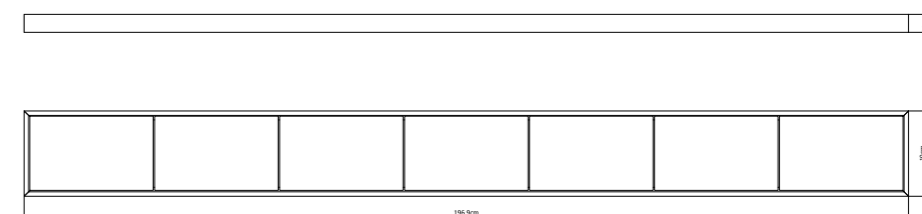
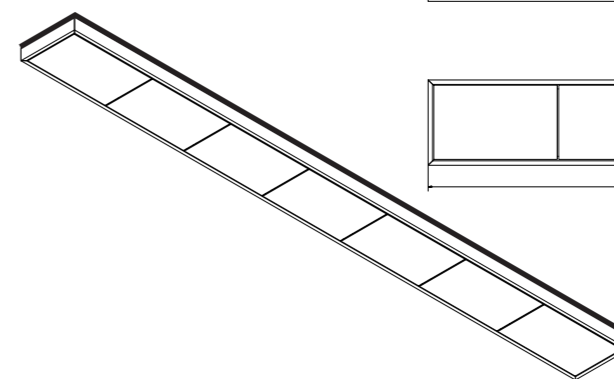
White Line AR48 XL

General

Location: Interior
 Class: CE (Class I)
 IP-rating: IP20
 Driver included: Yes
 Installation orientation: Ceiling mount

Main power: 220V-240V
 Lamp included: Yes
 Dimmable: Yes
 Dimming method: Mains dimmable

Dimensions (mm): H: 1969mm W: 190mm D: 40mm



Required options (*)

WL H40 REFLECTOR SPOT or WL H40 REFLECTOR FLOOD
 WL H40 reflector spot 19°
 WL H40 reflector flood 34°

Driver options

1-10V DIM
 1-10V DIM DTW
 WL DRIVER06
 WL DRIVER12

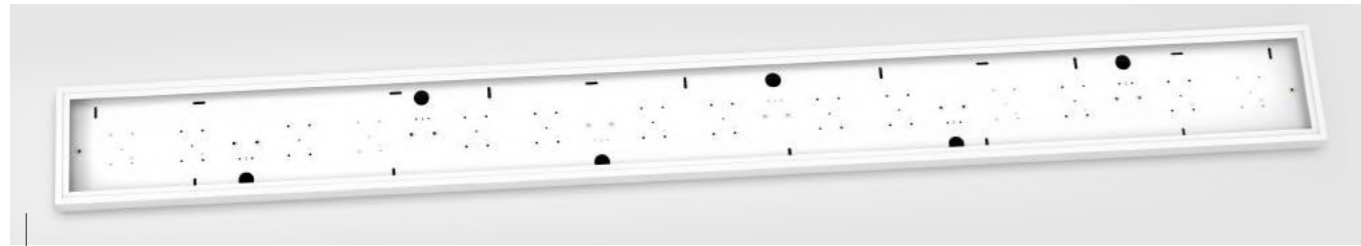
DALI DIM
 DALI DIM DTW
 WL DRIVER07
 WL DRIVER07

Other options

WL H40 HC
 AR48 LED Honeycomb (only for high ring)

Configure your fixture in 3 steps

1. Order the XL base



CODE WL09 0102K-B

White Line AR48 XL base

2. Order components you need to fill in the XL base

Combine 7 of the components below to fill the White Line XL base

- Closed cover
- Fix led / Fix led - dim to warm
- AR48 led / AR48 led - high ring
- AR48 led - dim to warm / AR48 led - high ring - dim to warm



CODE WL09 0102K-GC

White Line AR48 XL closed cover plate



CODE WL09 0102K-FIXLED

White Line AR48 XL **fix duo**

2700K - CRI>97
2xLED 4W - 560lm - 350mA
(Driver included)



CODE WL09 0102K-FIXLEDDTW

White Line AR48 XL **fix duo - dim to warm**

2800K-1800K - CRI>95
2xLED 4W - 670lm - 250mA
(Driver included)



CODE WL09 0102K-LED (*)

White Line AR48 XL **duo**

2700K - CRI>97
2xLED 4W - 800lm - 350mA
(Driver included)



CODE WL09 0102K-LEDDTW (*)

White Line AR48 XL **duo - dim to warm**

2800K-1800K - CRI>95
2xLED 4W - 960lm - 250mA
(Driver included)



CODE WL09 0102-LEDH (*)

White Line AR48 XL **duo - high ring**

2700K - CRI>97
2xLED 4W - 800lm - 350mA
(Driver included)



CODE WL09 0102-LEDHDTW (*)

White Line AR48 XL **duo - high ring - dim to warm**

2800K-1800K - CRI>95
2xLED 4W - 960lm - 250mA
(Driver included)

3. Order the required options (*)

WL H40 REFLECTOR SPOT WL H40 reflector spot 19°
or
WL H40 REFLECTOR FLOOD WL H40 reflector flood 34°

Only needed with the codes below (*)

- WL09 0102K-LED
- WL09 0102-LEDH
- WL09 0102K-LEDDTW
- WL09 0102-LEDHDTW

White Line

AR70

White Line AR70





White Line AR70



White Line AR70



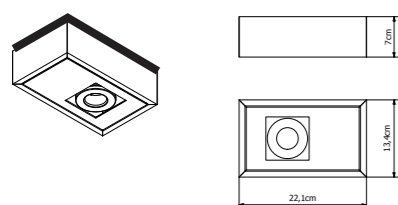
White Line AR70 uno small

H70 GU10 uno small

General

Location: Interior
 Class: CE (Class I)
 IP-rating: IP20
 Driver included: Yes
 Installation orientation: Ceiling mount

Main power: 220V-240V
 Dimensions (mm): H: 221mm W: 134mm D: 70mm



Models



CODE WL14 0101 LED (*)
Main material: Aluminium powder coated RAL9016

White Line AR70 uno small

LED: 2700K - CRI>90
 1xLED 6W - 750lm - 350mA (Driver included)

Lamp included: Yes
 Dimmable: Yes
 Dimming method: Mains dimmable



CODE WL17 0105
Main material: Aluminium powder coated RAL9016

White Line AR70 uno small **GU10**

LAMP: 1xGU10 - 220-240V
 Max. 1x50W

Lamp included: No
 Dimmable: Yes
 Dimming method: Lamp dependent

Required options (*)

WL H70 REFLECTOR-SPOT WL H70 reflector spot 18°
 WL H70 REFLECTOR-FLOOD WL H70 reflector flood 34°



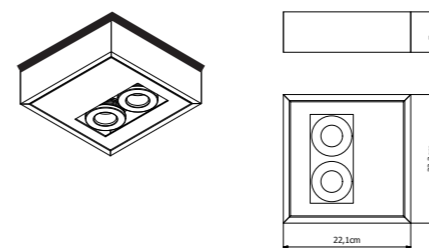
White Line AR70 duo small

H70 GU10 duo small

General

Location: Interior
 Class: CE (Class I)
 IP-rating: IP20
 Driver included: Yes
 Installation orientation: Ceiling mount

Main power: 220V-240V
 Dimensions (mm): H: 221mm W: 223mm D: 70mm



Models



CODE WL14 0102 LED (*)
Main material: Aluminium powder coated RAL9016

White Line AR70 duo small

LED: 2700K - CRI>90
 2xLED 6W - 1500lm - 350mA (Driver included)

Lamp included: Yes
 Dimmable: Yes
 Dimming method: Mains dimmable



CODE WL17 0106
Main material: Aluminium powder coated RAL9016

White Line AR70 duo small **GU10**

LAMP: 2xGU10 - 220-240V
 Max. 2x50W

Lamp included: No
 Dimmable: Yes
 Dimming method: Lamp dependent

Required options (*)

WL H70 REFLECTOR-SPOT WL H70 reflector spot 18°
 WL H70 REFLECTOR-FLOOD WL H70 reflector flood 34°

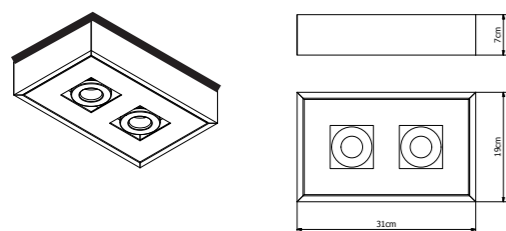


White Line AR70 duo H70 GU10 duo

General

Location: Interior
 Class: CE (Class I)
 IP-rating: IP20
 Driver included: Yes
 Installation orientation: Ceiling mount

Main power: 220V-240V
 Dimensions (mm): H: 310mm W: 190mm D: 70mm



Models



CODE WL07 0101 LED (*)
Main material: Aluminium powder coated RAL9016

White Line AR70 duo

LED: 2700K - CRI>90
 2xLED 6W - 1500lm - 350mA (Driver included)

Lamp included: Yes
 Dimmable: Yes
 Dimming method: Mains dimmable



CODE WL17 0101
Main material: Aluminium powder coated RAL9016

White Line AR70 duo **GU10**

LAMP: 2xGU10 - 220-240V
 Max. 2x50W

Lamp included: No
 Dimmable: Yes
 Dimming method: Lamp dependent

Required options (*)

WL H70 REFLECTOR-SPOT WL H70 reflector spot 18°
 WL H70 REFLECTOR-FLOOD WL H70 reflector flood 34°

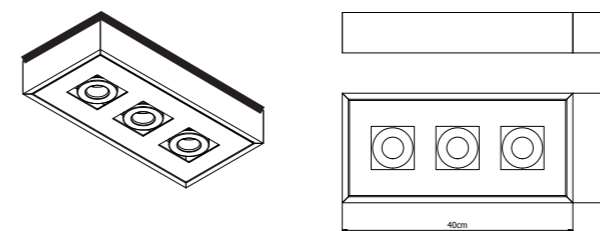


White Line AR70 tetra H70 GU10 tetra

General

Location: Interior
 Class: CE (Class I)
 IP-rating: IP20
 Driver included: Yes
 Installation orientation: Ceiling mount

Main power: 220V-240V
 Dimensions (mm): H: 400mm W: 190mm D: 70mm



Models



CODE WL07 0104 LED (*)
Main material: Aluminium powder coated RAL9016

White Line AR70 tetra

LED: 2700K - CRI>90
 3xLED 6W - 2250lm - 350mA (Driver included)

Lamp included: Yes
 Dimmable: Yes
 Dimming method: Mains dimmable



CODE WL17 0104
Main material: Aluminium powder coated RAL9016

White Line AR70 tetra **GU10**

LAMP: 3xGU10 - 220-240V
 Max. 3x50W

Lamp included: No
 Dimmable: Yes
 Dimming method: Lamp dependent

Required options (*)

WL H70 REFLECTOR-SPOT WL H70 reflector spot 18°
 WL H70 REFLECTOR-FLOOD WL H70 reflector flood 34°

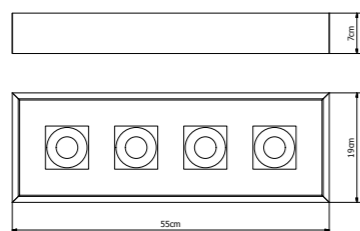
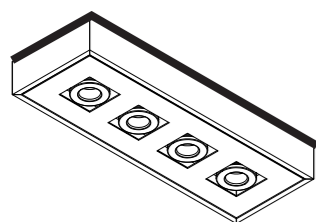


White Line AR70 quadra line H70 GU10 quadra line

General

Location: Interior
Class: CE (Class I)
IP-rating: IP20
Driver included: Yes
Installation orientation: Ceiling mount

Main power: 220V-240V
Dimensions (mm): H: 550mm W: 190mm D: 70mm



Models



CODE WL07 0102 LED (*)
Main material: Aluminium powder coated RAL9016

White Line AR70 quadra line

LED: 2700K - CRI>90
4xLED 6W - 3000lm - 350mA (Driver included)

Lamp included: Yes
Dimmable: Yes
Dimming method: Mains dimmable



CODE WL17 0102
Main material: Aluminium powder coated RAL9016

White Line AR70 quadra line **GU10**

LAMP: 4xGU10 - 220-240V
Max. 4x50W

Lamp included: No
Dimmable: Yes
Dimming method: Lamp dependent

Required options (*)

WL H70 REFLECTOR-SPOT WL H70 reflector spot 18°
WL H70 REFLECTOR-FLOOD WL H70 reflector flood 34°

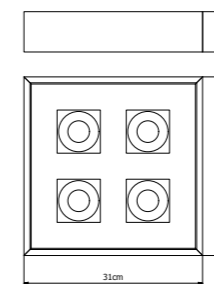
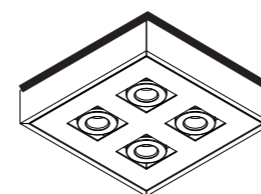


White Line AR70 quadra H70 GU10 quadra

General

Location: Interior
Class: CE (Class I)
IP-rating: IP20
Driver included: Yes
Installation orientation: Ceiling mount

Main power: 220V-240V
Dimensions (mm): H: 310mm W: 310mm D: 70mm



Models



CODE WL07 0103 LED (*)
Main material: Aluminium powder coated RAL9016

White Line AR70 quadra

LED: 2700K - CRI>90
4xLED 6W - 3000lm - 350mA (Driver included)

Lamp included: Yes
Dimmable: Yes
Dimming method: Mains dimmable



CODE WL17 0103
Main material: Aluminium powder coated RAL9016

White Line AR70 quadra **GU10**

LAMP: 4xGU10 - 220-240V
Max. 4x50W

Lamp included: No
Dimmable: Yes
Dimming method: Lamp dependent

Required options (*)

WL H70 REFLECTOR-SPOT WL H70 reflector spot 18°
WL H70 REFLECTOR-FLOOD WL H70 reflector flood 34°

White Line

AR111

White Line AR111





White Line AR111



White Line AR111



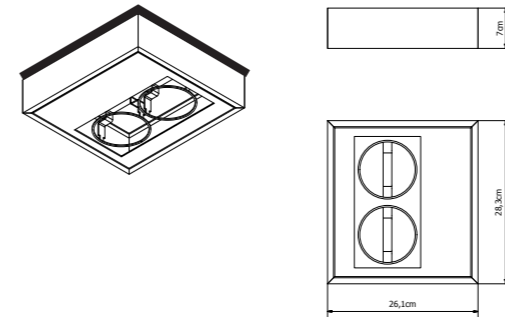
White Line AR111 duo small

General

Location: Interior
Class: CE (Class I)
IP-rating: IP20
Driver included: Yes (12VAC 50Hz transformer included)
Installation orientation: Ceiling mount

Main power: 220V-240V
Lamp included: No
Dimmable: Yes
Dimming method: Mains dimmable

Dimensions (mm): H: 261mm W: 283mm D: 70mm



Models



CODE WL12 0102

Main material: Aluminium powder coated RAL9016

White Line AR111 duo small

LAMP: 2xAR111 (G53) - 12VAC - max. 2x50W



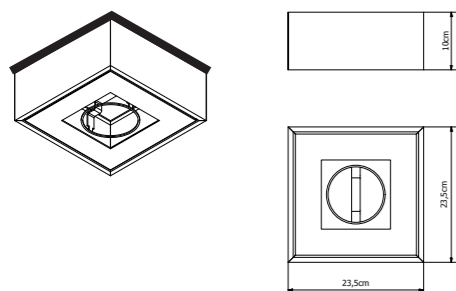
White Line AR111 uno

General

Location: Interior
Class: CE (Class I)
IP-rating: IP20
Driver included: Yes (12VAC 50Hz transformer included)
Installation orientation: Ceiling mount

Main power: 220V-240V
Lamp included: No
Dimmable: Yes
Dimming method: Mains dimmable

Dimensions (mm): H: 235mm W: 235mm D: 100mm



Models



CODE WL08 0102
Main material: Aluminium powder coated RAL9016

White Line AR111 uno

LAMP: 1xAR111 (G53) - 12VAC - max. 1x50W



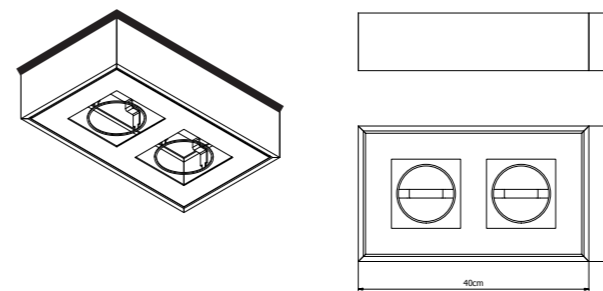
White Line AR111 duo

General

Location: Interior
Class: CE (Class I)
IP-rating: IP20
Driver included: Yes (12VAC 50Hz transformer included)
Installation orientation: Ceiling mount

Main power: 220V-240V
Lamp included: No
Dimmable: Yes
Dimming method: Mains dimmable

Dimensions (mm): H: 400mm W: 235mm D: 100mm



Models



CODE WL05 0301
Main material: Aluminium powder coated RAL9016

White Line AR111 duo

LAMP: 2xAR111 (G53) - 12VAC - max. 2x50W



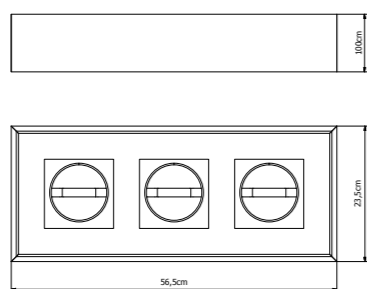
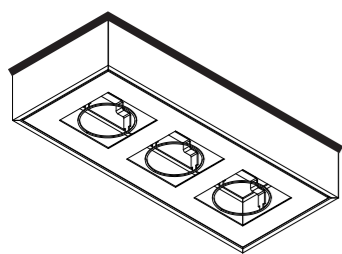
White Line AR111 tetra

General

Location: Interior
Class: CE (Class I)
IP-rating: IP20
Driver included: Yes (12VAC 50Hz transformer included)
Installation orientation: Ceiling mount

Main power: 220V-240V
Lamp included: No
Dimmable: Yes
Dimming method: Mains dimmable

Dimensions (mm): H: 565mm W: 235mm D: 100mm



Models



CODE WL05 0302
Main material: Aluminium powder coated RAL9016
 White Line AR111 tetra
LAMP: 3xAR111 (G53) - 12VAC - max. 3x50W



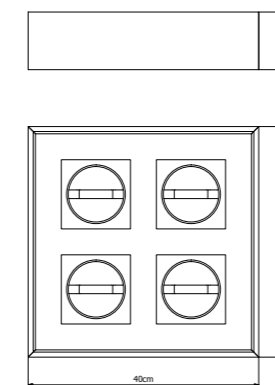
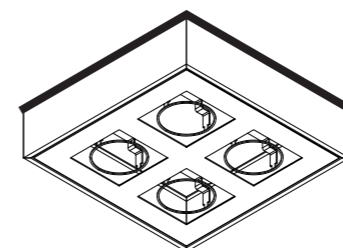
White Line AR111 quadra

General

Location: Interior
Class: CE (Class I)
IP-rating: IP20
Driver included: Yes (12VAC 50Hz transformer included)
Installation orientation: Ceiling mount

Main power: 220V-240V
Lamp included: No
Dimmable: Yes
Dimming method: Mains dimmable

Dimensions (mm): H: 400mm W: 400mm D: 100mm



Models



CODE WL05 0305
Main material: Aluminium powder coated RAL9016
 White Line AR111 quadra
LAMP: 4xAR111 (G53) - 12VAC - max. 4x50W

White Line

Fix - Wall



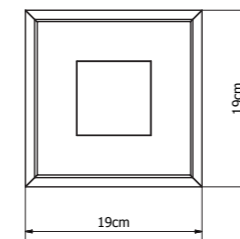
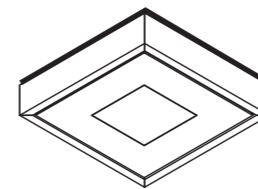
White Line uno fix

General

Location: Bathroom / Interior
Class: CE (Class II)
IP-rating: IP44
Driver included: Yes
Installation orientation: Ceiling mount

Main power: 220V-240V
Lamp included: Yes
Dimmable: Yes
Dimming method: Mains dimmable

Dimensions (mm): H: 190mm W: 190mm D: 40mm



Models



CODE WL05 0801 LED
Main material: Aluminium powder coated RAL9016

White Line fix uno

LED: 2700K - CRI>97
 LED 4W - 280lm - 350mA (Driver included)



CODE WL05 0801 LEDDTW
Main material: Aluminium powder coated RAL9016

White Line fix uno - **dim to warm**

LED: 2800K-1800K - CRI>95
 LED 4W - 335lm - 250mA (Driver included)



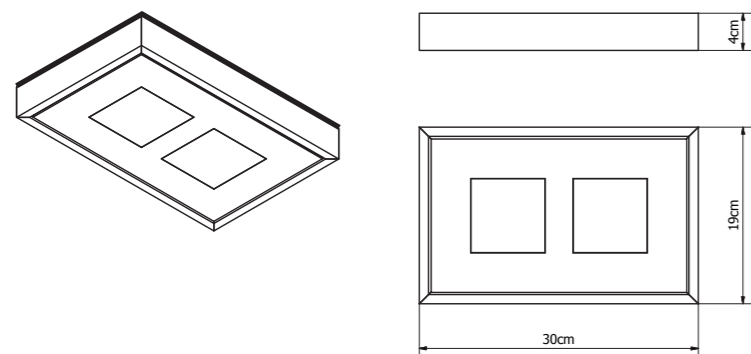
White Line duo fix

General

Location: Bathroom / Interior
Class: CE (Class II)
IP-rating: IP44
Driver included: Yes
Installation orientation: Ceiling mount

Main power: 220V-240V
Lamp included: Yes
Dimmable: Yes
Dimming method: Mains dimmable

Dimensions (mm): H: 300mm W: 190mm D: 40mm



Models



CODE WL05 0802 LED
Main material: Aluminium powder coated RAL9016

White Line fix duo

LED: 2700K - CRI>97
 LED 8W - 560lm - 350mA (Driver included)



CODE WL05 0802 LEDDTW
Main material: Aluminium powder coated RAL9016

White Line fix duo - **dim to warm**

LED: 2800K-1800K - CRI>95
 LED 8W - 670lm - 250mA (Driver included)



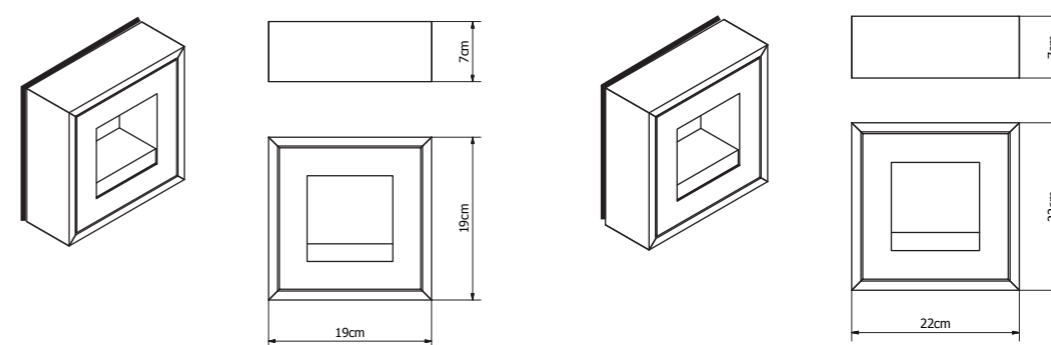
White Line wall

General

Location: Bathroom / Interior
Class: CE (Class II)
IP-rating: IP44
Driver included: Yes
Installation orientation: Wall mount

Main power: 220V-240V
Lamp included: Yes
Dimmable: Yes
Dimming method: Mains dimmable

Dimensions (mm): H: 190mm - 220mm W: 190mm - 220mm D: 70mm



Models



CODE WL05 0401 LED
Main material: Aluminium powder coated RAL9016

White Line wall **small**

LED: 2700K - CRI>97
 LED 4W - 280lm - 350mA (Driver included)



CODE WL05 0501 LED
Main material: Aluminium powder coated RAL9016

White Line wall **medium**

LED: 2700K - CRI>97
 LED 8W - 560lm - 350mA (Driver included)

White Line
Appendix



Number of permitted luminaires per driver

| Product n°: Dimensions (LxWxH): FIXTURE | mA/V | WL DRIVER01 | | WL DRIVER02 | | WL DRIVER02-02 | | WL DRIVER02-03 | | WL DRIVER02-04 | | WL DRIVER03 | | WL DRIVER04 | | WL DRIVER04-02 | |
|---|------|-------------|-----|-------------|-----|------------------|-----|------------------|-----|------------------|-----|-------------|-----|-------------|-----|------------------|-----|
| | | 102x38x21 | | 113x44x23 | | 113x44x23 (2pcs) | | 113x44x23 (3pcs) | | 113x44x23 (4pcs) | | 99x39x23 | | 166x46x34 | | 166x46x34 (2pcs) | |
| | | min | max | min | max | min | max | min | max | min | max | min | max | min | max | min | max |
| SLOT DOWN 300 | 350 | 1 | 1 | 2 | 2 | - | - | - | - | - | - | 1 | 1 | 1 | 2 | - | - |
| SLOT DOWN 520 | 350 | - | - | 1 | 1 | - | - | - | - | - | - | - | - | 1 | 1 | - | - |
| SLOT DOWN 1500 | 350 | - | - | - | - | 1 | 1 | - | - | - | - | - | - | - | - | 1 | 1 |
| SLOT DOWN 2000 | 350 | - | - | - | - | - | - | 1 | 1 | - | - | - | - | - | - | - | - |
| SLOT DOWN 3000 | 350 | - | - | - | - | - | - | - | - | 1 | 1 | - | - | - | - | - | - |
| SLOT UP+DOWN 1500 | 24V | - | - | - | - | - | - | - | - | - | - | - | - | - | - | - | - |
| SLOT UP+DOWN 2000 | 24V | - | - | - | - | - | - | - | - | - | - | - | - | - | - | - | - |
| SLOT UP+DOWN 3000 | 24V | - | - | - | - | - | - | - | - | - | - | - | - | - | - | - | - |
| SLOT SMALL MINI 82 | 350 | 2 | 2 | 3 | 4 | - | - | - | - | - | - | 1 | 2 | 1 | 3 | - | - |
| SLOT SMALL 180 | 350 | 1 | 1 | 2 | 2 | - | - | - | - | - | - | 1 | 1 | 1 | 2 | - | - |
| SLOT SMALL 430 | 350 | - | - | 1 | 1 | - | - | - | - | - | - | - | - | 1 | 1 | - | - |
| SLOT SMALL 1500 | 350 | - | - | - | - | 1 | 1 | - | - | - | - | - | - | - | - | 1 | 1 |
| SLOT SMALL 2000 | 350 | - | - | - | - | - | - | 1 | 1 | - | - | - | - | - | - | - | - |
| SLOT SMALL 3000 | 350 | - | - | - | - | - | - | - | - | 1 | 1 | - | - | - | - | - | - |
| SLOT IN MINI 82 | 350 | 2 | 2 | 3 | 4 | - | - | - | - | - | - | 1 | 2 | 1 | 3 | - | - |
| SLOT IN 180 | 350 | 1 | 1 | 2 | 2 | - | - | - | - | - | - | 1 | 1 | 1 | 2 | - | - |
| SLOT IN 430 | 350 | - | - | 1 | 1 | - | - | - | - | - | - | - | - | 1 | 1 | - | - |
| SLOT IN 1500 | 350 | - | - | - | - | 1 | 1 | - | - | - | - | - | - | - | - | 1 | 1 |
| SLOT IN 2000 | 350 | - | - | - | - | - | - | 1 | 1 | - | - | - | - | - | - | - | - |
| SLOT IN 3000 | 350 | - | - | - | - | - | - | - | - | 1 | 1 | - | - | - | - | - | - |
| SLOT TRIMLESS MINI 82 | 24V | - | - | - | - | - | - | - | - | - | - | - | - | - | - | - | - |
| SLOT TRIMLESS 180 | 24V | - | - | - | - | - | - | - | - | - | - | - | - | - | - | - | - |
| SLOT TRIMLESS 430 | 24V | - | - | - | - | - | - | - | - | - | - | - | - | - | - | - | - |
| SLOT TRIMLESS 1600 | 24V | - | - | - | - | - | - | - | - | - | - | - | - | - | - | - | - |
| SLOT TRIMLESS 2100 | 24V | - | - | - | - | - | - | - | - | - | - | - | - | - | - | - | - |
| SLOT TRIMLESS 3100 | 24V | - | - | - | - | - | - | - | - | - | - | - | - | - | - | - | - |
| NIS DOWN 300 | 700 | - | - | - | - | - | - | - | - | - | - | 1 | 1 | 1 | 2 | - | - |
| NIS DOWN 600 | 700 | - | - | - | - | - | - | - | - | - | - | - | - | 1 | 1 | - | - |
| NIS DOWN 1200 | 700 | - | - | - | - | - | - | - | - | - | - | - | - | 1 | 1 | 1 | 1 |
| NIS DOWN 1800 | 700 | - | - | - | - | - | - | - | - | - | - | - | - | - | - | 1 | 1 |
| NIS DOWN 2400 | 700 | - | - | - | - | - | - | - | - | - | - | - | - | - | - | 1 | 1 |
| NIS DOWN 3000 | 700 | - | - | - | - | - | - | - | - | - | - | - | - | - | - | 1 | 1 |
| UNO SMALL AR48LED | 350 | 1 | 2 | 3 | 4 | - | - | - | - | - | - | 1 | 2 | 1 | 3 | - | - |
| DUO SMALL AR48LED | 350 | 1 | 1 | 2 | 2 | - | - | - | - | - | - | 1 | 1 | 1 | 1 | - | - |
| UNO AR48LED | 350 | 1 | 2 | 3 | 4 | - | - | - | - | - | - | 1 | 2 | 1 | 3 | - | - |
| DUO AR48LED | 350 | 1 | 1 | 2 | 2 | - | - | - | - | - | - | 1 | 1 | 1 | 1 | - | - |
| TETRA AR48LED | 350 | - | - | 1 | 1 | - | - | - | - | - | - | - | - | 1 | 1 | - | - |
| QUADRA/QUADRA LINE AR48LED | 350 | - | - | 1 | 1 | - | - | - | - | - | - | - | - | - | - | - | - |
| LONG AR48LED | 350 | - | - | - | - | 1 | 1 | - | - | - | - | - | - | - | - | 1 | 1 |
| XL AR48LED | 350 | 1 | 1 | 2 | 2 | - | - | - | - | - | - | - | - | 1 | 1 | - | - |
| UNO SMALL AR48LEDDTW | 250 | - | - | - | - | - | - | - | - | - | - | - | - | - | - | - | - |
| DUO SMALL AR48LEDDTW | 250 | - | - | - | - | - | - | - | - | - | - | - | - | - | - | - | - |
| UNO AR48LEDDTW | 250 | - | - | - | - | - | - | - | - | - | - | - | - | - | - | - | - |
| DUO AR48LEDDTW | 250 | - | - | - | - | - | - | - | - | - | - | - | - | - | - | - | - |
| TETRA AR48LEDDTW | 250 | - | - | - | - | - | - | - | - | - | - | - | - | - | - | - | - |
| QUADRA/QUADRA LINE AR48LEDDTW | 250 | - | - | - | - | - | - | - | - | - | - | - | - | - | - | - | - |
| LONG AR48LEDDTW | 250 | - | - | - | - | - | - | - | - | - | - | - | - | - | - | - | - |
| XL AR48LEDDTW | 250 | - | - | - | - | - | - | - | - | - | - | - | - | - | - | - | - |
| UNO SMALL AR70LED | 350 | 1 | 1 | 3 | 4 | - | - | - | - | - | - | 1 | 1 | 1 | 1 | - | - |
| DUO SMALL AR70LED | 350 | - | - | 2 | 2 | - | - | - | - | - | - | - | - | - | - | - | - |
| DUO AR70LED | 350 | - | - | 1 | 1 | - | - | - | - | - | - | - | - | - | - | - | - |
| TETRA AR70LED | 350 | - | - | - | - | 1 | 1 | - | - | - | - | - | - | - | - | - | - |
| QUADRA/QUADRA LINE AR70LED | 350 | - | - | - | - | 1 | 1 | - | - | - | - | - | - | - | - | - | - |
| UNO FIX LED | 350 | 1 | 1 | 3 | 4 | - | - | - | - | - | - | 1 | 2 | 1 | 3 | - | - |
| DUO FIX LED | 350 | - | - | 2 | 2 | - | - | - | - | - | - | - | - | 1 | 1 | - | - |
| UNO FIX LEDDTW | 250 | - | - | - | - | - | - | - | - | - | - | - | - | - | - | - | - |
| DUO FIX LEDDTW | 250 | - | - | - | - | - | - | - | - | - | - | - | - | - | - | - | - |
| WALL S | 350 | 1 | 1 | 3 | 4 | - | - | - | - | - | - | 1 | 2 | 1 | 3 | - | - |
| WALL M | 350 | - | - | 2 | 2 | - | - | - | - | - | - | 1 | 1 | 1 | 1 | - | - |

Driver does not fit in the fixture or through the cut-out hole

Number of permitted luminaires per driver

| Product n°: Dimensions (LxWxH): | | WL DRIVER09 38x27x21 | | WL DRIVER10 38x30x20 | | WL DRIVER10-03 38x30x20 (3pcs) | | WL DRIVER11 48x36x20 | | WL DRIVER11-02 48x36x20 (2pcs) | | WL DRIVER11-03 48x36x20 (2pcs) | | WL DRIVER13 260x30x18,5 | | WL DRIVER13-02 260x30x18,5 (2pcs) | | WL DRIVER16 300x30x18,5 | |
|------------------------------------|-----|-------------------------|-----|-------------------------|-----|-----------------------------------|-----|-------------------------|-----|-----------------------------------|-----|-----------------------------------|-----|----------------------------|-----|--------------------------------------|-----|----------------------------|-----|
| mA/V | | min | max | min | max | min | max | min | max | min | max | min | max | min | max | min | max | min | max |
| SLOT DOWN 300 | 350 | - | - | - | - | - | - | - | - | - | - | - | - | - | - | - | - | - | - |
| SLOT DOWN 520 | 350 | - | - | - | - | - | - | - | - | - | - | - | - | - | - | - | - | - | - |
| SLOT DOWN 1500 | 350 | - | - | - | - | - | - | - | - | - | - | - | - | - | - | - | - | - | - |
| SLOT DOWN 2000 | 350 | - | - | - | - | - | - | - | - | - | - | - | - | - | - | - | - | - | - |
| SLOT DOWN 3000 | 350 | - | - | - | - | - | - | - | - | - | - | - | - | - | - | - | - | - | - |
| SLOT UP+DOWN 1500 | 24V | - | - | - | - | - | - | - | - | - | - | 1 | 1 | 1 | 2 | 1 | 2 | 1 | 2 |
| SLOT UP+DOWN 2000 | 24V | - | - | - | - | - | - | - | - | - | - | - | - | 1 | 1 | 1 | 1 | 1 | 1 |
| SLOT UP+DOWN 3000 | 24V | - | - | - | - | - | - | - | - | - | - | - | - | 1 | 1 | - | - | - | - |
| SLOT SMALL MINI 82 | 350 | 1 | 1 | - | - | - | - | - | - | - | - | - | - | - | - | - | - | - | - |
| SLOT SMALL 180 | 350 | - | - | - | - | - | - | - | - | - | - | - | - | - | - | - | - | - | - |
| SLOT SMALL 430 | 350 | - | - | - | - | - | - | - | - | - | - | - | - | - | - | - | - | - | - |
| SLOT SMALL 1500 | 350 | - | - | - | - | - | - | - | - | - | - | - | - | - | - | - | - | - | - |
| SLOT SMALL 2000 | 350 | - | - | - | - | - | - | - | - | - | - | - | - | - | - | - | - | - | - |
| SLOT SMALL 3000 | 350 | - | - | - | - | - | - | - | - | - | - | - | - | - | - | - | - | - | - |
| SLOT IN MINI 82 | 350 | 1 | 1 | - | - | - | - | - | - | - | - | - | - | - | - | - | - | - | - |
| SLOT IN 180 | 350 | - | - | - | - | - | - | - | - | - | - | - | - | - | - | - | - | - | - |
| SLOT IN 430 | 350 | - | - | - | - | - | - | - | - | - | - | - | - | - | - | - | - | - | - |
| SLOT IN 1500 | 350 | - | - | - | - | - | - | - | - | - | - | - | - | - | - | - | - | - | - |
| SLOT IN 2000 | 350 | - | - | - | - | - | - | - | - | - | - | - | - | - | - | - | - | - | - |
| SLOT IN 3000 | 350 | - | - | - | - | - | - | - | - | - | - | - | - | - | - | - | - | - | - |
| SLOT TRIMLESS MINI 82 | 24V | - | - | - | - | - | - | - | - | - | - | 1 | 9 | - | - | 1 | 15 | 1 | 15 |
| SLOT TRIMLESS 180 | 24V | - | - | - | - | - | - | - | - | - | - | 1 | 4 | - | - | 1 | 7 | 1 | 7 |
| SLOT TRIMLESS 430 | 24V | - | - | - | - | - | - | - | - | - | - | 1 | 2 | - | - | 1 | 3 | 1 | 3 |
| SLOT TRIMLESS 1600 | 24V | - | - | - | - | - | - | - | - | - | - | 1 | 1 | - | - | - | - | - | - |
| SLOT TRIMLESS 2100 | 24V | - | - | - | - | - | - | - | - | - | - | - | - | - | - | - | - | 1 | 1 |
| SLOT TRIMLESS 3100 | 24V | - | - | - | - | - | - | - | - | - | - | - | - | 1 | 1 | - | - | - | - |
| NIS DOWN 300 | 700 | - | - | - | - | - | - | - | - | - | - | - | - | - | - | - | - | - | - |
| NIS DOWN 600 | 700 | - | - | - | - | - | - | - | - | - | - | - | - | - | - | - | - | - | - |
| NIS DOWN 1200 | 700 | - | - | - | - | - | - | - | - | - | - | - | - | - | - | - | - | - | - |
| NIS DOWN 1800 | 700 | - | - | - | - | - | - | - | - | - | - | - | - | - | - | - | - | - | - |
| NIS DOWN 2400 | 700 | - | - | - | - | - | - | - | - | - | - | - | - | - | - | - | - | - | - |
| NIS DOWN 3000 | 700 | - | - | - | - | - | - | - | - | - | - | - | - | - | - | - | - | - | - |
| UNO SMALL AR48LED | 350 | 1 | 1 | - | - | - | - | - | - | - | - | - | - | - | - | - | - | - | - |
| DUO SMALL AR48LED | 350 | - | - | - | - | - | - | - | - | - | - | - | - | - | - | - | - | - | - |
| UNO AR48LED | 350 | 1 | 1 | - | - | - | - | - | - | - | - | - | - | - | - | - | - | - | - |
| DUO AR48LED | 350 | - | - | - | - | - | - | - | - | - | - | - | - | - | - | - | - | - | - |
| TETRA AR48LED | 350 | - | - | - | - | - | - | - | - | - | - | - | - | - | - | - | - | - | - |
| QUADRA/QUADRA LINE AR48LED | 350 | - | - | - | - | - | - | - | - | - | - | - | - | - | - | - | - | - | - |
| LONG AR48LED | 350 | - | - | - | - | - | - | - | - | - | - | - | - | - | - | - | - | - | - |
| XL AR48LED | 350 | - | - | - | - | - | - | - | - | - | - | - | - | - | - | - | - | - | - |
| UNO SMALL AR48LEDDTW | 250 | - | - | 1 | 1 | - | - | 2 | 2 | - | - | - | - | - | - | - | - | - | - |
| DUO SMALL AR48LEDDTW | 250 | - | - | - | - | - | - | 1 | 1 | - | - | - | - | - | - | - | - | - | - |
| UNO AR48LEDDTW | 250 | - | - | 1 | 1 | - | - | 2 | 2 | - | - | - | - | - | - | - | - | - | - |
| DUO AR48LEDDTW | 250 | - | - | - | - | - | - | 1 | 1 | - | - | - | - | - | - | - | - | - | - |
| TETRA AR48LEDDTW | 250 | - | - | - | - | 1 | 1 | - | - | - | - | - | - | - | - | - | - | - | - |
| QUADRA/QUADRA LINE AR48LEDDTW | 250 | - | - | - | - | - | - | - | - | 1 | 1 | - | - | - | - | - | - | - | - |
| LONG AR48LEDDTW | 250 | - | - | - | - | - | - | - | - | - | - | 1 | 1 | - | - | - | - | - | - |
| XL AR48LEDDTW | 250 | - | - | - | - | - | - | - | - | - | - | - | - | - | - | - | - | - | - |
| UNO SMALL AR70LED | 350 | - | - | - | - | - | - | - | - | - | - | - | - | - | - | - | - | - | - |
| DUO SMALL AR70LED | 350 | - | - | - | - | - | - | - | - | - | - | - | - | - | - | - | - | - | - |
| DUO AR70LED | 350 | - | - | - | - | - | - | - | - | - | - | - | - | - | - | - | - | - | - |
| TETRA AR70LED | 350 | - | - | - | - | - | - | - | - | - | - | - | - | - | - | - | - | - | - |
| QUADRA/QUADRA LINE AR70LED | 350 | - | - | - | - | - | - | - | - | - | - | - | - | - | - | - | - | - | - |
| UNO FIX LED | 350 | 1 | 1 | - | - | - | - | - | - | - | - | - | - | - | - | - | - | - | - |
| DUO FIX LED | 350 | - | - | - | - | - | - | - | - | - | - | - | - | - | - | - | - | - | - |
| UNO FIX LEDDTW | 250 | - | - | 1 | 1 | - | - | 2 | 2 | - | - | - | - | - | - | - | - | - | - |
| DUO FIX LEDDTW | 250 | - | - | - | - | - | - | 1 | 1 | - | - | - | - | - | - | - | - | - | - |
| WALL S | 350 | 1 | 1 | - | - | - | - | - | - | - | - | - | - | - | - | - | - | - | - |
| WALL M | 350 | - | - | - | - | - | - | - | - | - | - | - | - | - | - | - | - | - | - |

Driver does not fit in the fixture or through the cut-out hole



Number of permitted luminaires per driver

| Product n°: Dimensions (LxWxH): FITTURE | mA/V | WL DRIVER05 | | WL DRIVER06 | | WL DRIVER06-02 | | WL DRIVER06-03 | | WL DRIVER06-04 | | WL DRIVER12 | | WL DRIVER12-02 | | WL DRIVER14 | |
|---|------|-------------|-----|-------------|-----|------------------|-----|------------------|-----|------------------|-----|-------------|-----|------------------|-----|-------------|-----|
| | | 110x52x23,5 | | 237x30x21 | | 237x30x21 (2pcs) | | 237x30x21 (3pcs) | | 237x30x21 (4pcs) | | 237x30x21 | | 237x30x21 (2pcs) | | 360x30x21 | |
| | | min | max | min | max | min | max | min | max | min | max | min | max | min | max | min | max |
| SLOT DOWN 300 | 350 | 1 | 1 | 1 | 2 | - | - | - | - | - | - | - | - | - | - | - | - |
| SLOT DOWN 520 | 350 | - | - | 1 | 1 | - | - | - | - | - | - | - | - | - | - | - | - |
| SLOT DOWN 1500 | 350 | - | - | - | - | 1 | 1 | - | - | - | - | - | - | - | - | - | - |
| SLOT DOWN 2000 | 350 | - | - | - | - | - | - | 1 | 1 | - | - | - | - | - | - | - | - |
| SLOT DOWN 3000 | 350 | - | - | - | - | - | - | - | - | 1 | 1 | - | - | - | - | - | - |
| SLOT UP+DOWN 1500 | 24V | - | - | - | - | - | - | - | - | - | - | - | - | - | 1 | 2 | - |
| SLOT UP+DOWN 2000 | 24V | - | - | - | - | - | - | - | - | - | - | - | - | - | 1 | 1 | - |
| SLOT UP+DOWN 3000 | 24V | - | - | - | - | - | - | - | - | - | - | - | - | - | 1 | 1 | - |
| SLOT SMALL MINI 82 | 350 | 1 | 3 | 1 | 4 | - | - | - | - | - | - | - | - | - | - | - | - |
| SLOT SMALL 180 | 350 | 1 | 1 | 1 | 2 | - | - | - | - | - | - | - | - | - | - | - | - |
| SLOT SMALL 430 | 350 | - | - | 1 | 1 | - | - | - | - | - | - | - | - | - | - | - | - |
| SLOT SMALL 1500 | 350 | - | - | - | - | 1 | 1 | - | - | - | - | - | - | - | - | - | - |
| SLOT SMALL 2000 | 350 | - | - | - | - | - | - | 1 | 1 | - | - | - | - | - | - | - | - |
| SLOT SMALL 3000 | 350 | - | - | - | - | - | - | - | - | 1 | 1 | - | - | - | - | - | - |
| SLOT IN MINI 82 | 350 | 1 | 3 | 1 | 4 | - | - | - | - | - | - | - | - | - | - | - | - |
| SLOT IN 180 | 350 | 1 | 1 | 1 | 2 | - | - | - | - | - | - | - | - | - | - | - | - |
| SLOT IN 430 | 350 | - | - | 1 | 1 | - | - | - | - | - | - | - | - | - | - | - | - |
| SLOT IN 1500 | 350 | - | - | - | - | 1 | 1 | - | - | - | - | - | - | - | - | - | - |
| SLOT IN 2000 | 350 | - | - | - | - | - | - | 1 | 1 | - | - | - | - | - | - | - | - |
| SLOT IN 3000 | 350 | - | - | - | - | - | - | - | - | 1 | 1 | - | - | - | - | - | - |
| SLOT TRIMLESS MINI 82 | 24V | - | - | - | - | - | - | - | - | - | - | - | - | - | 1 | 17 | - |
| SLOT TRIMLESS 180 | 24V | - | - | - | - | - | - | - | - | - | - | - | - | - | 1 | 8 | - |
| SLOT TRIMLESS 430 | 24V | - | - | - | - | - | - | - | - | - | - | - | - | - | 1 | 4 | - |
| SLOT TRIMLESS 1600 | 24V | - | - | - | - | - | - | - | - | - | - | - | - | - | 1 | 2 | - |
| SLOT TRIMLESS 2100 | 24V | - | - | - | - | - | - | - | - | - | - | - | - | - | 1 | 1 | - |
| SLOT TRIMLESS 3100 | 24V | - | - | - | - | - | - | - | - | - | - | - | - | - | 1 | 1 | - |
| NIS DOWN 300 | 700 | 1 | 1 | 1 | 2 | - | - | - | - | - | - | - | - | - | - | - | - |
| NIS DOWN 600 | 700 | 1 | 1 | 1 | 1 | - | - | - | - | - | - | - | - | - | - | - | - |
| NIS DOWN 1200 | 700 | - | - | 1 | 1 | - | - | - | - | - | - | - | - | - | - | - | - |
| NIS DOWN 1800 | 700 | - | - | - | - | 1 | 1 | - | - | - | - | - | - | - | - | - | - |
| NIS DOWN 2400 | 700 | - | - | - | - | 1 | 1 | - | - | - | - | - | - | - | - | - | - |
| NIS DOWN 3000 | 700 | - | - | - | - | 1 | 1 | - | - | - | - | - | - | - | - | - | - |
| UNO SMALL AR48LED | 350 | 1 | 3 | 1 | 4 | - | - | - | - | - | - | - | - | - | - | - | - |
| DUO SMALL AR48LED | 350 | 1 | 1 | 1 | 2 | - | - | - | - | - | - | - | - | - | - | - | - |
| UNO AR48LED | 350 | 1 | 3 | 1 | 4 | - | - | - | - | - | - | - | - | - | - | - | - |
| DUO AR48LED | 350 | 1 | 1 | 1 | 2 | - | - | - | - | - | - | - | - | - | - | - | - |
| TETRA AR48LED | 350 | 1 | 1 | 1 | 1 | - | - | - | - | - | - | - | - | - | - | - | - |
| QUADRA/QUADRA LINE AR48LED | 350 | - | - | 1 | 1 | - | - | - | - | - | - | - | - | - | - | - | - |
| LONG AR48LED | 350 | - | - | - | - | 1 | 1 | - | - | - | - | - | - | - | - | - | - |
| XL AR48LED | 350 | 1 | 1 | 1 | 2 | - | - | - | - | - | - | - | - | - | - | - | - |
| UNO SMALL AR48LEDDTW | 250 | - | - | - | - | - | - | - | - | - | - | - | - | - | - | - | - |
| DUO SMALL AR48LEDDTW | 250 | - | - | - | - | - | - | - | - | - | - | - | - | - | - | - | - |
| UNO AR48LEDDTW | 250 | - | - | - | - | - | - | - | - | - | - | - | - | - | - | - | - |
| DUO AR48LEDDTW | 250 | - | - | - | - | - | - | - | - | - | - | - | - | - | - | - | - |
| TETRA AR48LEDDTW | 250 | - | - | - | - | - | - | - | - | - | - | - | - | - | - | - | - |
| QUADRA/QUADRA LINE AR48LEDD | 250 | - | - | - | - | - | - | - | - | - | - | - | - | - | - | - | - |
| LONG AR48LEDDTW | 250 | - | - | - | - | - | - | - | - | - | - | - | - | - | - | - | - |
| XL AR48LEDDTW | 250 | - | - | - | - | - | - | - | - | - | - | - | - | - | - | - | - |
| UNO SMALL AR70LED | 350 | 1 | 1 | 1 | 2 | - | - | - | - | - | - | - | - | - | - | - | - |
| DUO SMALL AR70LED | 350 | - | - | 1 | 1 | - | - | - | - | - | - | - | - | - | - | - | - |
| DUO AR70LED | 350 | - | - | 1 | 1 | - | - | - | - | - | - | - | - | - | - | - | - |
| TETRA AR70LED | 350 | - | - | - | - | 1 | 1 | - | - | - | - | - | - | - | - | - | - |
| QUADRA/QUADRA LINE AR70LED | 350 | - | - | - | - | 1 | 1 | - | - | - | - | - | - | - | - | - | - |
| UNO FIX LED | 350 | 1 | 3 | 1 | 4 | - | - | - | - | - | - | - | - | - | - | - | - |
| DUO FIX LED | 350 | 1 | 1 | 1 | 2 | - | - | - | - | - | - | - | - | - | - | - | - |
| UNO FIX LEDDTW | 250 | - | - | - | - | - | - | - | - | - | - | - | - | - | - | - | - |
| DUO FIX LEDDTW | 250 | - | - | - | - | - | - | - | - | - | - | - | - | - | - | - | - |
| WALL S | 350 | 1 | 3 | 1 | 4 | - | - | - | - | - | - | - | - | - | - | - | - |
| WALL M | 350 | 1 | 1 | 1 | 2 | - | - | - | - | - | - | - | - | - | - | - | - |

Driver does not fit in the fixture or through the cut-out hole



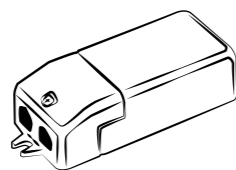
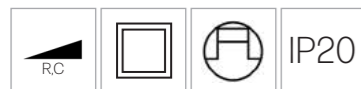
Number of permitted luminaires per driver

| Product n°: Dimensions (LxWxH): FIXTURE | mA/V | WL DRIVER07 157x42x32 | | WL DRIVER07-02 157x42x32 (2pcs) | | WL DRIVER08 157x42x32 | | WL DRIVER08-02 157x42x32 (2pcs) | | WL DRIVER08-03 157x42x32 (3pcs) | | WL DRIVER08-04 157x42x32 (4pcs) | | WL DRIVER14 360x30x21 | |
|---|------|--------------------------|-----|------------------------------------|-----|--------------------------|-----|------------------------------------|-----|------------------------------------|-----|------------------------------------|-----|--------------------------|-----|
| | | min | max | min | max | min | max | min | max | min | max | min | max | min | max |
| | | SLOT DOWN 300 | 350 | 1 | 1 | - | - | 1 | 2 | - | - | - | - | - | - |
| SLOT DOWN 520 | 350 | - | - | - | - | 1 | 1 | - | - | - | - | - | - | - | - |
| SLOT DOWN 1500 | 350 | - | - | - | - | - | - | 1 | 1 | - | - | - | - | - | - |
| SLOT DOWN 2000 | 350 | - | - | - | - | - | - | - | - | 1 | 1 | - | - | - | - |
| SLOT DOWN 3000 | 350 | - | - | - | - | - | - | - | - | - | - | 1 | 1 | - | - |
| SLOT UP+DOWN 1500 | 24V | - | - | - | - | - | - | - | - | - | - | - | - | 1 | 2 |
| SLOT UP+DOWN 2000 | 24V | - | - | - | - | - | - | - | - | - | - | - | - | 1 | 1 |
| SLOT UP+DOWN 3000 | 24V | - | - | - | - | - | - | - | - | - | - | - | - | 1 | 1 |
| SLOT SMALL MINI 82 | 350 | 1 | 3 | - | - | 1 | 4 | - | - | - | - | - | - | - | - |
| SLOT SMALL 180 | 350 | 1 | 1 | - | - | 1 | 2 | - | - | - | - | - | - | - | - |
| SLOT SMALL 430 | 350 | - | - | - | - | 1 | 1 | - | - | - | - | - | - | - | - |
| SLOT SMALL 1500 | 350 | - | - | - | - | - | - | 1 | 1 | - | - | - | - | - | - |
| SLOT SMALL 2000 | 350 | - | - | - | - | - | - | - | - | 1 | 1 | - | - | - | - |
| SLOT SMALL 3000 | 350 | - | - | - | - | - | - | - | - | - | - | 1 | 1 | - | - |
| SLOT IN MINI 82 | 350 | 1 | 3 | - | - | 1 | 4 | - | - | - | - | - | - | - | - |
| SLOT IN 180 | 350 | 1 | 1 | - | - | 1 | 2 | - | - | - | - | - | - | - | - |
| SLOT IN 430 | 350 | - | - | - | - | 1 | 1 | - | - | - | - | - | - | - | - |
| SLOT IN 1500 | 350 | - | - | - | - | - | - | 1 | 1 | - | - | - | - | - | - |
| SLOT IN 2000 | 350 | - | - | - | - | - | - | - | - | 1 | 1 | - | - | - | - |
| SLOT IN 3000 | 350 | - | - | - | - | - | - | - | - | - | - | 1 | 1 | - | - |
| SLOT TRIMLESS MINI 82 | 24V | - | - | - | - | - | - | - | - | - | - | - | - | 1 | 17 |
| SLOT TRIMLESS 180 | 24V | - | - | - | - | - | - | - | - | - | - | - | - | 1 | 8 |
| SLOT TRIMLESS 430 | 24V | - | - | - | - | - | - | - | - | - | - | - | - | 1 | 4 |
| SLOT TRIMLESS 1600 | 24V | - | - | - | - | - | - | - | - | - | - | - | - | 1 | 2 |
| SLOT TRIMLESS 2100 | 24V | - | - | - | - | - | - | - | - | - | - | - | - | 1 | 1 |
| SLOT TRIMLESS 3100 | 24V | - | - | - | - | - | - | - | - | - | - | - | - | 1 | 1 |
| NIS DOWN 300 | 700 | 1 | 1 | - | - | 1 | 3 | - | - | - | - | - | - | - | - |
| NIS DOWN 600 | 700 | 1 | 1 | - | - | 1 | 2 | - | - | - | - | - | - | - | - |
| NIS DOWN 1200 | 700 | - | - | - | - | 1 | 1 | - | - | - | - | - | - | - | - |
| NIS DOWN 1800 | 700 | - | - | - | - | 1 | 1 | - | - | - | - | - | - | - | - |
| NIS DOWN 2400 | 700 | - | - | - | - | - | - | - | - | - | - | - | - | - | - |
| NIS DOWN 3000 | 700 | - | - | - | - | - | - | - | - | - | - | - | - | - | - |
| UNO SMALL AR48LED | 350 | 1 | 3 | - | - | 1 | 4 | - | - | - | - | - | - | - | - |
| DUO SMALL AR48LED | 350 | 1 | 1 | - | - | 1 | 2 | - | - | - | - | - | - | - | - |
| UNO AR48LED | 350 | 1 | 3 | - | - | 1 | 4 | - | - | - | - | - | - | - | - |
| DUO AR48LED | 350 | 1 | 1 | - | - | 1 | 2 | - | - | - | - | - | - | - | - |
| TETRA AR48LED | 350 | 1 | 1 | - | - | 1 | 1 | - | - | - | - | - | - | - | - |
| QUADRA/QUADRA LINE AR48LED | 350 | - | - | - | - | 1 | 1 | - | - | - | - | - | - | - | - |
| LONG AR48LED | 350 | - | - | 1 | 1 | - | - | 1 | 1 | - | - | - | - | - | - |
| XL AR48LED | 350 | 1 | 1 | - | - | 1 | 2 | - | - | - | - | - | - | - | - |
| UNO SMALL AR48LEDDTW | 250 | 1 | 2 | - | - | 1 | 3 | - | - | - | - | - | - | - | - |
| DUO SMALL AR48LEDDTW | 250 | 1 | 1 | - | - | 1 | 1 | - | - | - | - | - | - | - | - |
| UNO AR48LEDDTW | 250 | 1 | 2 | - | - | 1 | 3 | - | - | - | - | - | - | - | - |
| DUO AR48LEDDTW | 250 | 1 | 1 | - | - | 1 | 1 | - | - | - | - | - | - | - | - |
| TETRA AR48LEDDTW | 250 | - | - | - | - | 1 | 1 | - | - | - | - | - | - | - | - |
| QUADRA/QUADRA LINE AR48LEDDT | 250 | - | - | 1 | 1 | - | - | - | - | - | - | - | - | - | - |
| LONG AR48LEDDTW | 250 | - | - | - | - | - | - | - | - | - | - | - | - | - | - |
| XL AR48LEDDTW | 250 | 1 | 1 | - | - | 1 | 1 | - | - | - | - | - | - | - | - |
| UNO SMALL AR70LED | 350 | 1 | 1 | - | - | 1 | 2 | - | - | - | - | - | - | - | - |
| DUO SMALL AR70LED | 350 | - | - | - | - | 1 | 1 | - | - | - | - | - | - | - | - |
| DUO AR70LED | 350 | - | - | - | - | 1 | 1 | - | - | - | - | - | - | - | - |
| TETRA AR70LED | 350 | - | - | - | - | - | - | - | - | - | - | - | - | - | - |
| QUADRA/QUADRA LINE AR70LED | 350 | - | - | - | - | - | - | - | - | - | - | - | - | - | - |
| UNO FIX LED | 350 | 1 | 3 | - | - | 1 | 4 | - | - | - | - | - | - | - | - |
| DUO FIX LED | 350 | - | - | - | - | 1 | 2 | - | - | - | - | - | - | - | - |
| UNO FIX LEDDTW | 250 | 1 | 2 | - | - | 1 | 3 | - | - | - | - | - | - | - | - |
| DUO FIX LEDDTW | 250 | 1 | 1 | - | - | 1 | 1 | - | - | - | - | - | - | - | - |
| WALL S | 350 | 1 | 3 | - | - | 1 | 4 | - | - | - | - | - | - | - | - |
| WALL M | 350 | 1 | 1 | - | - | 1 | 2 | - | - | - | - | - | - | - | - |

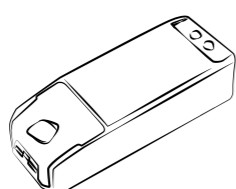
Driver does not fit in the fixture or through the cut-out hole



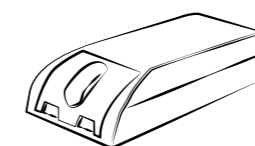
Driver specifications mains dimmable



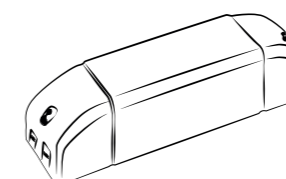
| | |
|----------------------------|-------------------------------|
| Product nr: | WL DRIVER01 |
| Dimensions (LxWxH) | L: 102mm W: 38mm H: 21mm |
| Dimming | Trailing / Leading edge |
| Ambient temperature | -25°C to +45°C |
| Power factor | 0,96 |
| Input | 220-240V 50-60HZ |
| Output | 350mA / 10W / 12-28Vdc |



| | |
|----------------------------|-------------------------------|
| Product nr: | WL DRIVER02 |
| Dimensions (LxWxH) | L: 113mm W: 44mm H: 23mm |
| Dimming | Trailing/Leading edge |
| Ambient temperature | -25°C to +50°C |
| Power factor | >0,95 |
| Input | 220-240V 50-60HZ |
| Output | 350mA / 18W / 26-52Vdc |

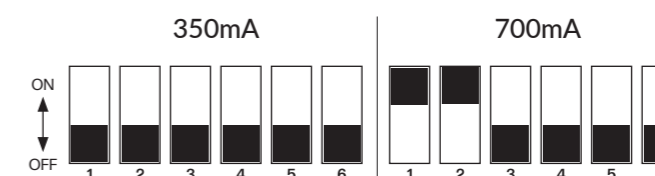


| | |
|----------------------------|---|
| Product nr: | WL DRIVER03 |
| Dimensions (LxWxH) | L: 99mm W: 39mm H: 23mm |
| Dimming | Trailing edge |
| Ambient temperature | -20°C to +45°C |
| Power factor | >0,95 |
| Input | 220-240V 50-60HZ |
| Output | 350mA / 12W / 3-32Vdc - 700mA / 12W / 3-18Vdc |

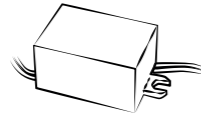
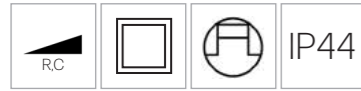


| | |
|----------------------------|---|
| Product nr: | WL DRIVER04 |
| Dimensions (LxWxH) | L: 166mm W: 46mm H: 34mm |
| Dimming | Trailing edge / Leading edge |
| Ambient temperature | -25°C to +45°C |
| Power factor | >0,97 |
| Input | 220-240V 50-60HZ |
| Output | 350mA / 17W / 2-47Vdc - 700mA / 32W / 2-46Vdc |

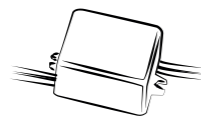
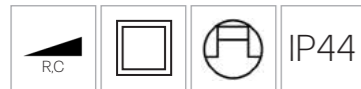
DIP-switch



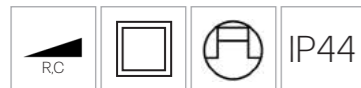
Driver specifications mains dimmable



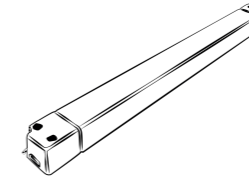
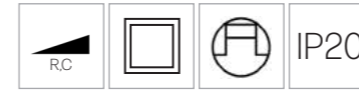
| | |
|----------------------------|-----------------------------|
| Product nr: | WL DRIVER09 |
| Dimensions (LxWxH) | L: 38mm W: 27mm H: 21mm |
| Dimming | Trailing / Leading edge |
| Ambient temperature | -20°C to +50°C |
| Power factor | >0,90 |
| Input | 220-240V 50-60HZ |
| Output | 350mA / 4W / 6-12Vdc |



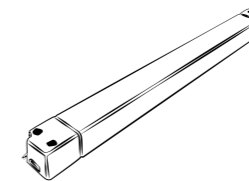
| | |
|----------------------------|------------------------------|
| Product nr: | WL DRIVER10 |
| Dimensions (LxWxH) | L: 38mm W: 30mm H: 20mm |
| Dimming | Trailing / Leading edge |
| Ambient temperature | -20°C to +50°C |
| Power factor | >0,90 |
| Input | 220-240V 50-60HZ |
| Output | 250mA / 6W / 13-21Vdc |



| | |
|----------------------------|-------------------------------|
| Product nr: | WL DRIVER11 |
| Dimensions (LxWxH) | L: 48mm W: 36mm H: 20mm |
| Dimming | Trailing / Leading edge |
| Ambient temperature | -20°C to +50°C |
| Power factor | >0,90 |
| Input | 220-240V 50-60HZ |
| Output | 250mA / 10W / 27-40Vdc |



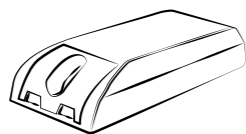
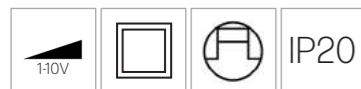
| | |
|----------------------------|----------------------------|
| Product nr: | WL DRIVER13 |
| Dimensions (LxWxH) | L: 260mm W: 30mm H: 18,5mm |
| Dimming | Trailing / Leading edge |
| Ambient temperature | -20°C to +50°C |
| Power factor | 0,95 |
| Input | 200-240V 50-60HZ |
| Output | 24V / 36W / 1,5A |



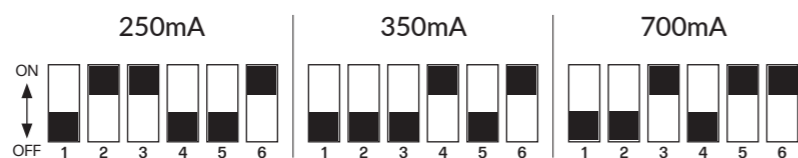
| | |
|----------------------------|----------------------------|
| Product nr: | WL DRIVER16 |
| Dimensions (LxWxH) | L: 300mm W: 30mm H: 18,5mm |
| Dimming | Trailing / Leading edge |
| Ambient temperature | -20°C to +50°C |
| Power factor | 0,95 |
| Input | 200-240V 50-60HZ |
| Output | 24V / 60W / 2,5A |



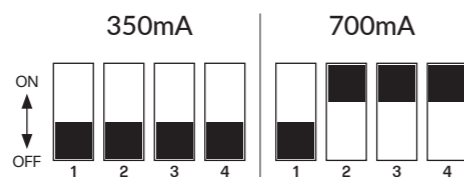
Driver specifications 1-10V dimmable



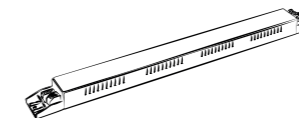
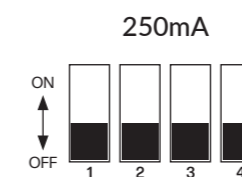
| | |
|----------------------------|--|
| Product nr: | WL DRIVER05 |
| Dimensions (LxWxH) | L: 110mm W: 52mm H: 23,5mm |
| Dimming | 0-10V, 1-10V, potentiometer 100K |
| Ambient temperature | -20°C to +42°C |
| Power factor | >0,90 |
| Input | 220-240V 50-60HZ |
| Output | 250mA / 20W / 6-42Vdc - 350mA / 20W / 6-42Vdc - 700mA / 20W / 6-29Vdc |
| DIP-switch | |



| | |
|----------------------------|---|
| Product nr: | WL DRIVER06 |
| Dimensions (LxWxH) | L: 237mm W: 30mm H: 21mm |
| Dimming | 1-10V, PUSH |
| Ambient temperature | -25°C to +50°C |
| Power factor | >0,96 |
| Input | 220-240V 50-60HZ |
| Output | 350mA / 18W / 2-53Vdc - 700mA / 32W / 2-46Vdc |
| DIP-switch | |



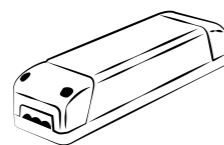
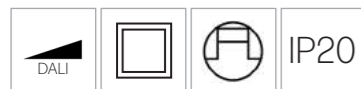
| | |
|----------------------------|------------------------------|
| Product nr: | WL DRIVER12 |
| Dimensions (LxWxH) | L: 166mm W: 46mm H: 34mm |
| Dimming | 1-10V |
| Ambient temperature | -20°C to +50°C |
| Power factor | >0,96 |
| Input | 220-240V 50-60HZ |
| Output | 250mA / 13W / 2-53Vdc |
| DIP-switch | |



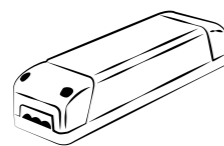
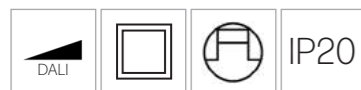
| | |
|----------------------------|--------------------------|
| Product nr: | WL DRIVER14 |
| Dimensions (LxWxH) | L: 360mm W: 30mm H: 21mm |
| Dimming | 1-10V, DALI, PUSH |
| Ambient temperature | -25°C to +50°C |
| Power factor | >0,95 |
| Input | 220-240V 50-60HZ |
| Output | 24V / 70W / 1,5A |
| DIP-switch | |



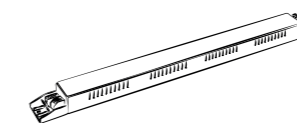
Driver specifications dali dimmable



| | |
|----------------------------|--|
| Product nr: | WL DRIVER07 |
| Dimensions (LxWxH) | L: 157mm W: 42mm H: 32mm |
| Dimming | DALI |
| Ambient temperature | -20°C to +40°C |
| Power factor | >0,95 |
| Input | 220-240V 50-60HZ |
| Output | 250mA / 30W / 7-43Vdc - 350mA / 30W / 7-43Vdc - 700mA / 30W / 7-43Vdc |



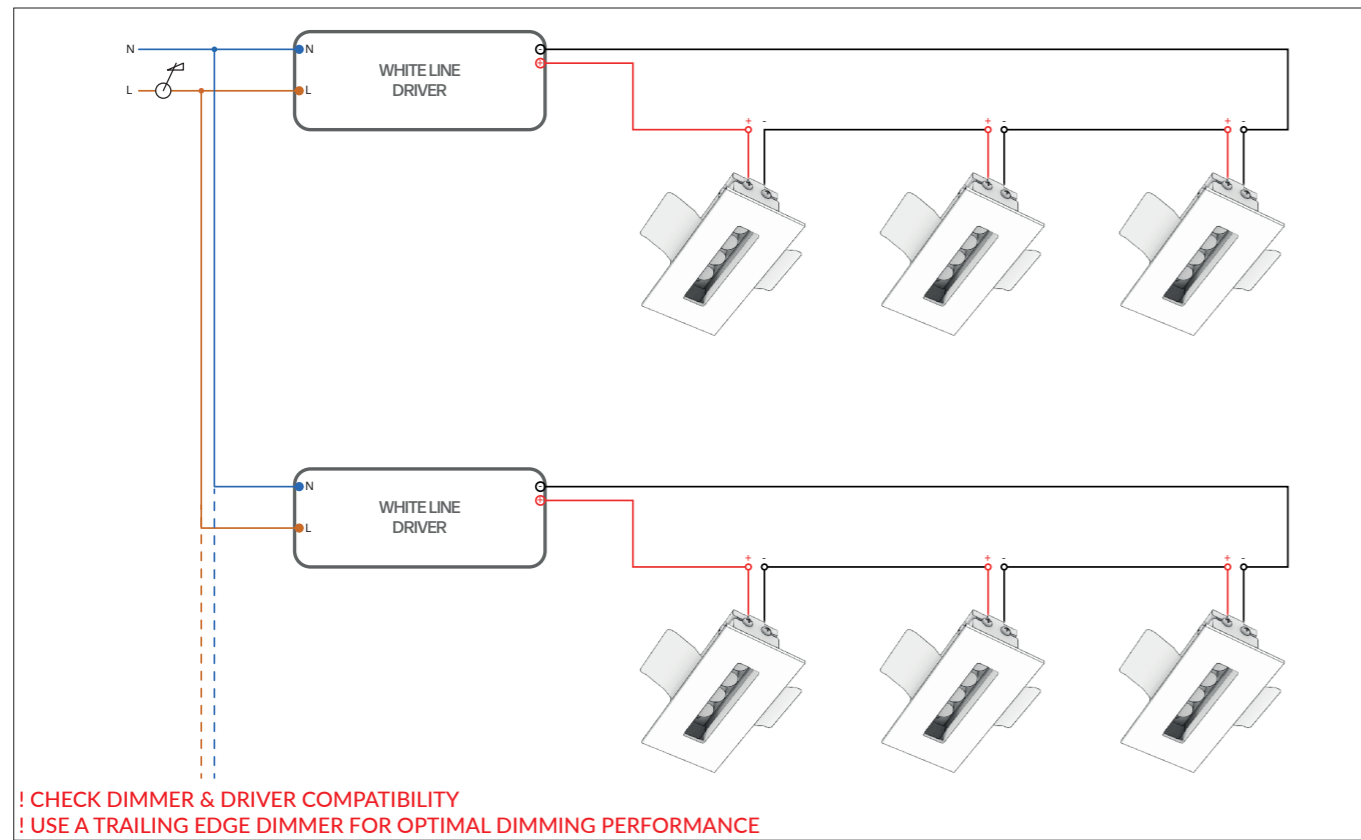
| | |
|----------------------------|--|
| Product nr: | WL DRIVER08 |
| Dimensions (LxWxH) | L: 157mm W: 42mm H: 32mm |
| Dimming | DALI |
| Ambient temperature | -20°C to +40°C |
| Power factor | >0,95 |
| Input | 220-240V 50-60HZ |
| Output | 250mA / 40W / 7-55Vdc - 350mA / 40W / 7-55Vdc - 700mA / 40W / 7-55Vdc |



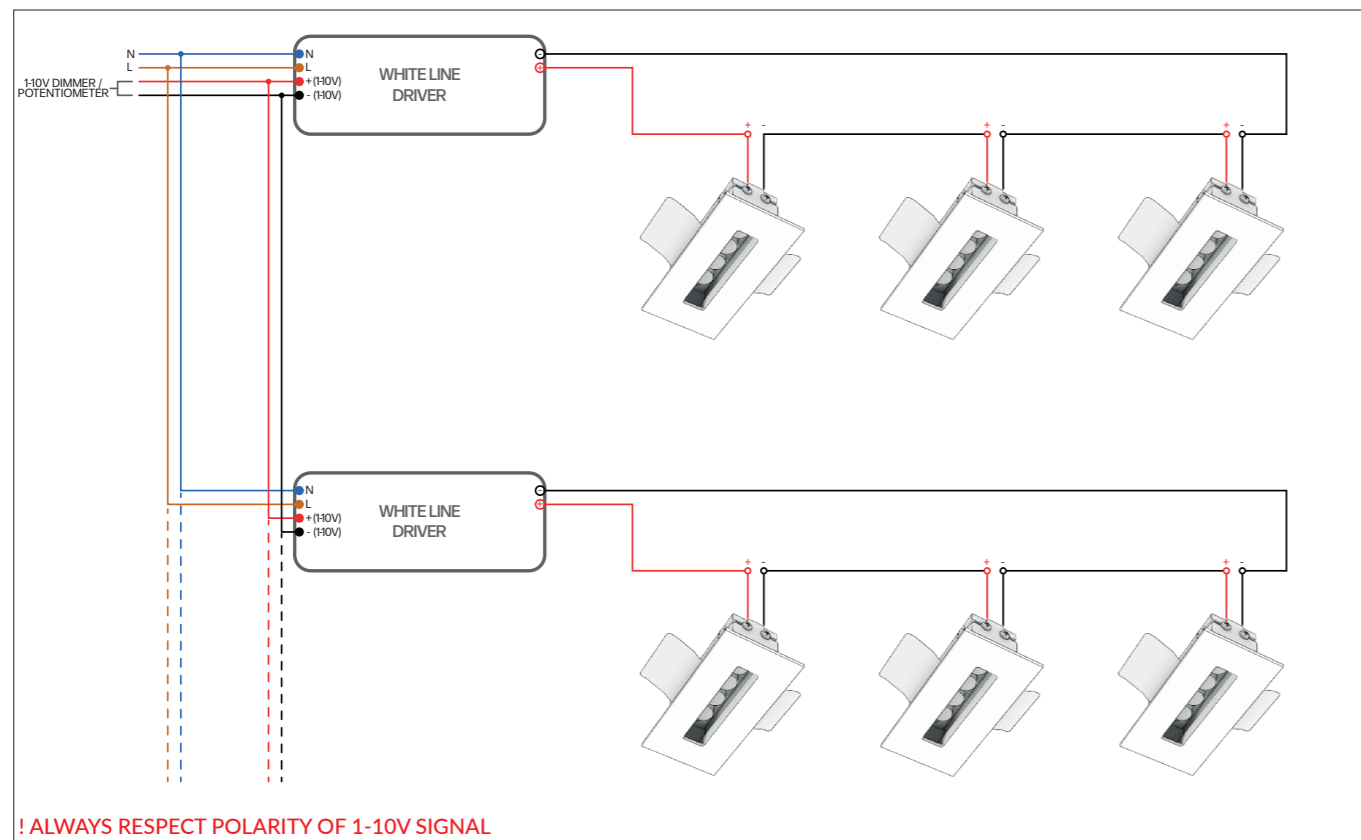
| | |
|----------------------------|---------------------------|
| Product nr: | WL DRIVER14 |
| Dimensions (LxWxH) | L: 360mm W: 30mm H: 21mm |
| Dimming | 1-10V, DALI, PUSH |
| Ambient temperature | -25°C to +50°C |
| Power factor | >0,95 |
| Input | 220-240V 50-60HZ |
| Output | 24Vdc / 70W / 2,9A |



Mains dimmable



1-10V dimmable



Dali dimmable

