

# Rise – Tunable White



The Rise is an asymmetric indirect sconce or pendant luminaire available with our ColorFlip™ tunable white technology. From 3000K to 5000K, this functionality brings a multifaceted option to a variety of architectural high ceiling spaces such as commercial, education, hospitality, municipalities, retail, and sports-recreation areas.



Quantity		Type	
Project		Note	

## Delivered Lumens

ColorFlip™	3000K	3500K	4000K	4500K	5000K
DMX CCT Signal (%)	0%	25%	45%	60%	100%
0-10V CCT Voltage	0	2.5	4.5	6	10
TNW 110W Light Engine	11,750 lm	12,850 lm	13,950 lm	13,925 lm	13,900 lm
CRI	85	83	82	80	75

## Electrical System

- 110W Light Engine
- Power Input: Universal (120-277V)
- Operating Temperature: -40°F~112°F
- Surge Protection: 4 KV
- Power Factor Greater than 0.9

## LED Technology

- ColorFlip™ (Tunable White: 3000K ↔ 5000K)
- 3000K / 85 CRI, 5000K / 75 CRI
- Beam Angle: Asymmetric
- Rated Life > 66,000 Hours (L70)

## Advanced Dimming

(Proprietary VX Driver is incorporated to all dimming options for video flicker-free lighting)

- Superior 0-10V: dims to 1%
- DMX: high resolution dims to 0.1% (Supports ANSI E1.20 RDM protocol)

## Housing

- Dimensions & Weight:
- Standard: 13.05" x 9.84" x 4.33" (19.8 lb)
- With Visor: 13.05" x 14.77" x 4.33" (22.9 lb)
- Material: Die-Cast Aluminum, Tempered Glass

## Mounting

- Wall Mount
- Stem Mount

## Warranty

- 5-year limited warranty

## Listing

- ETL Damp Location Listed
- FCC
- CE



\*METEOR LIGHTING reserves the right to make changes to this product at any time without prior notice and such modification shall be effective immediately.

# Rise – Tunable White



**How to Specify:**

**Ordering Example: RISE-TNW-UNV-DMX(RJ45)-ASY-WHT-WLM-GSV**

**4-5 weeks lead time on over 75% of specifications.**

Model	Light Source	Voltage	Dimming
RI	TNW	UNV	
RISE	<b>TNW</b> 110W Light Engine 11,750 to 13,900 Delivered Lumens	<b>UNV</b> 120-277V	<b>SPV</b> Superior 1-10V dims to 1% <b>DMX(RJ45)</b> DMX dims to 0.1% (RJ45 Sockets)

Beam Angle	Finish	Mounting	Accessories
<b>ASY</b> Asymmetric	<b>BLK</b> Black <b>WHT</b> White	<b>WLM</b> Wall Mount <b>ST4</b> Stem 4ft <b>ST8<sup>1</sup></b> Stem 8 ft	<b>GSV<sup>1</sup></b> Glare Shield Visor
		<sup>1</sup> Includes two 4ft stem connected by an adapter.	<sup>1</sup> Please factor in change in lumen output of -10%.

\*METEOR LIGHTING reserves the right to make changes to this product at any time without prior notice and such modification shall be effective immediately.

# Rise – Tunable White

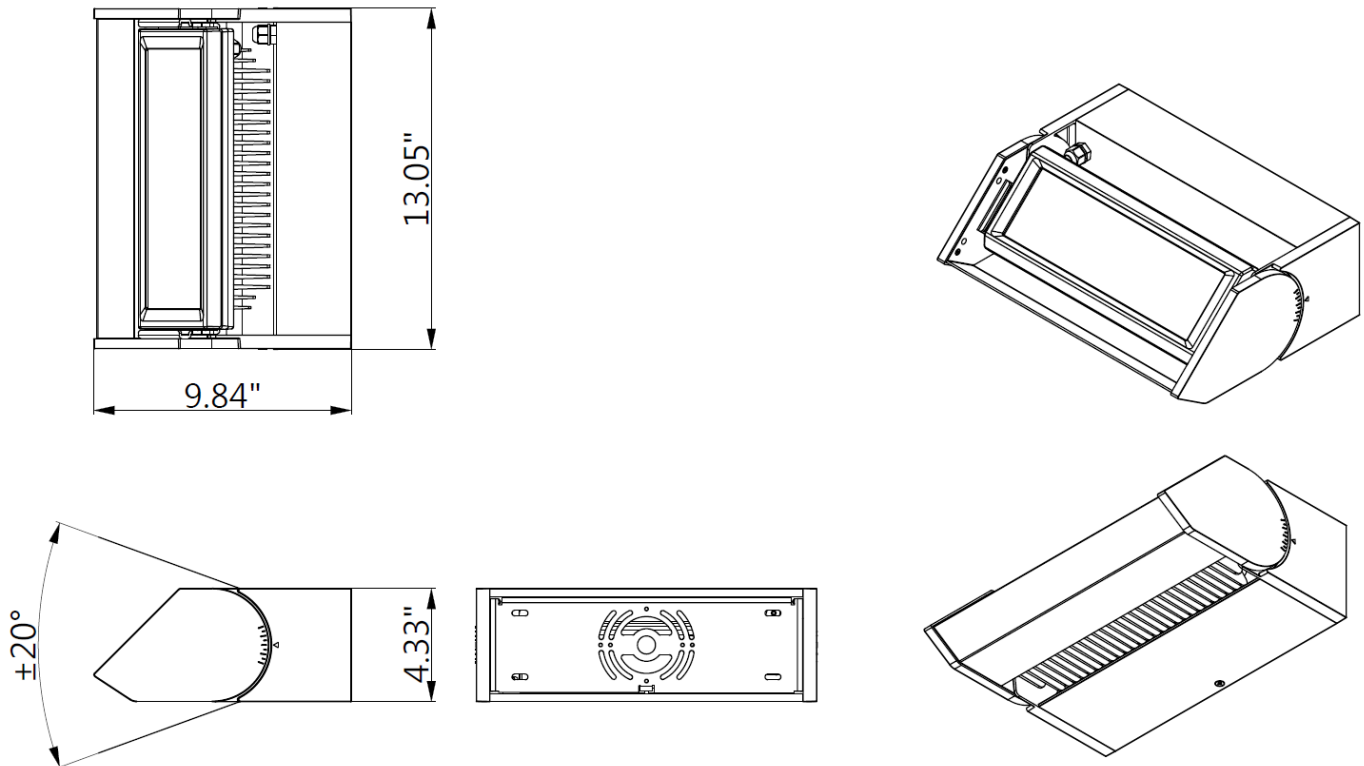


## Current Consumption

Light Source	Wattage	120V	277V
<b>110L</b>	110W	1.01A	0.44A

## Dimensions

TNW / Wall Mount



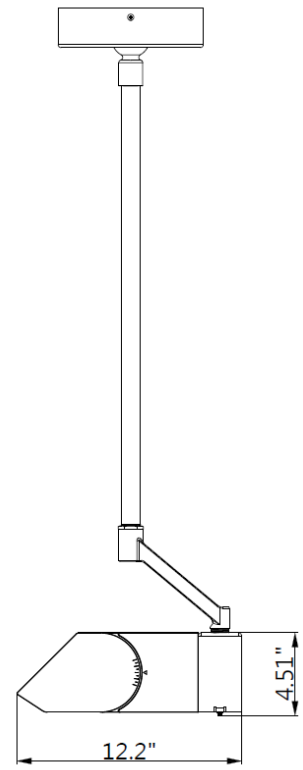
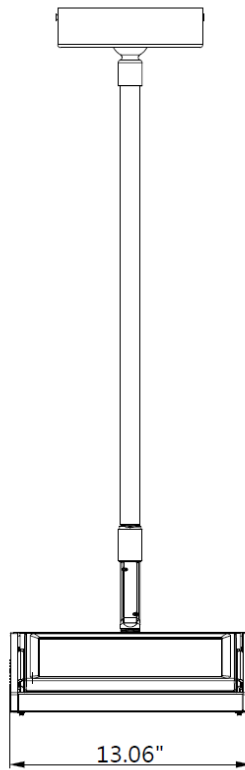
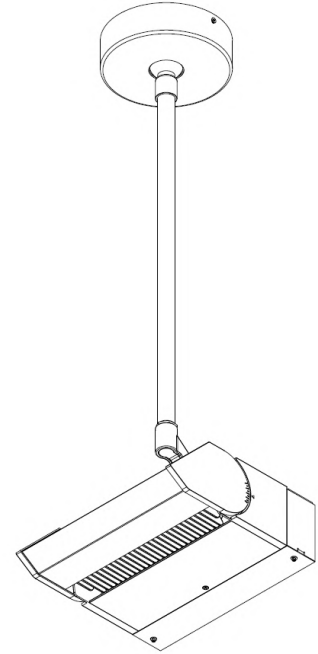
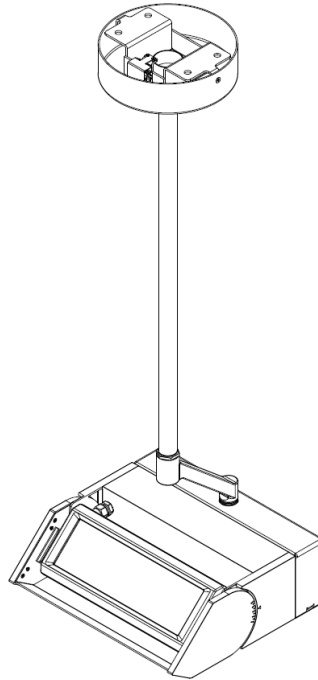
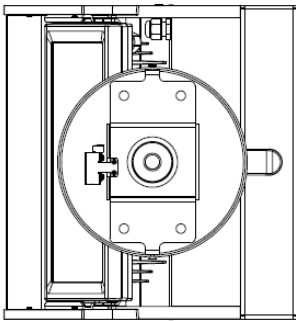
\*METEOR LIGHTING reserves the right to make changes to this product at any time without prior notice and such modification shall be effective immediately.

# Rise – Tunable White



## Dimensions

TNW / Stem Mount



\*METEOR LIGHTING reserves the right to make changes to this product at any time without prior notice and such modification shall be effective immediately.

# Rise – Tunable White

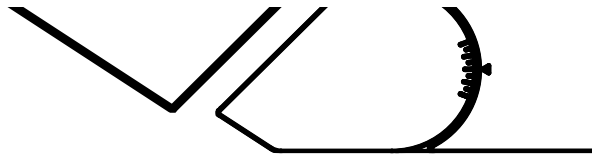
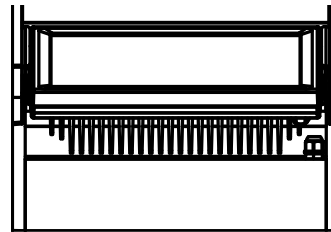
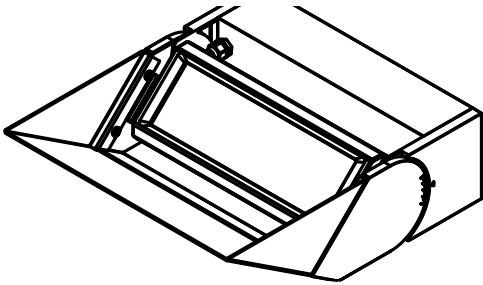


## Accessory Glare Shield Visor

TNW

13.05"

4.93"



\*METEOR LIGHTING reserves the right to make changes to this product at any time without prior notice and such modification shall be effective immediately.