

# Bolt - Tunable White (ColorFlip™)



The all new Bolt series. A transformation for greater heights with new technologies, performance and optics. Tunable White color changing compatible with lumen package range of 28,000 – 32,000 lumens depending on CCT.

Quantity		Type	
Projec		Note	

## Delivered Lumens

ColorFlip™	3000K	3500K	4000K	4500K	5000K
DMX CCT Signal (%)	0%	25%	45%	60%	100%
0-10V CCT Voltage	0	2.5	4.5	6	10
260W	25800 lm	28365 lm	31410 lm	30905 lm	30400 lm
CRI	85	83	82	80	75

## Electrical System

- 28000 lm – 32000 lm (260W)
- Power Input: Universal (120-277V); HVT (347-480V)
- Operating Temperature: -40°F~104°F
- Surge Protection: 4 KV

## LED Technology

- ColorFlip™ (Tunable White: 3000K ↔ 5000K)
- Beam Angle: 30°, 60° and 100° (with diffuser)
- Rated Life > 100,000 Hours (L70)

## Advanced Dimming

(Proprietary VX Driver is incorporated to all dimming options for video flicker-free lighting)

- Superior 0-10V: dims to 1%
- DMX: high resolution dims to 0.1%
- (Supports ANSI E1.20 RDM protocol)

## Housing

- Dimensions: 260W: 7.87" (200mm) x 17.68" (449mm) x 11.68" (297mm)
- Material: Die-Cast Aluminum, Tempered Glass
- Weight: 24.25 lbs

## Mounting

- Bracket

## Warranty

- 5-year limited warranty

## Listing

- UL Damp Location Listed
- FCC
- CE



# Bolt - Tunable White (ColorFlip™)



## How to Specify:

**Ordering Example: BLT-260-TNW-UNV-SPV-30-BLK-BRK-WG**

**4-5 weeks lead time on over 75% of specifications.**

Model	Wattage	CCT / CRI	Voltage	Dimming
BLT			UNV	
BLT Bolt Series	<b>260</b> 260W	<b>TNW</b> 3000K-5000K	<b>UNV</b> 120-277V	<b>SPV</b> Superior 0-10V dims to 1% <b>DMX(XLR)</b> DMX dims to 0.1% (XLR Sockets) <b>DMXR(RJ45)</b> DMX dims to 0.1% (RJ45 Sockets)

Beam Angle	Finish	Mounting	Accessories
<b>30</b> 30° <b>60</b> 60° <b>WD*</b> 100° (with diffuser)	<b>BLK</b> Black <b>WHT</b> White	<b>BRK</b> Bracket	<b>WG<sup>1</sup></b> Wire Guard <b>GSB<sup>2</sup></b> Glare Shield Baffle <b>GSV<sup>3</sup></b> Glare Shield Visor <b>DF<sup>4</sup></b> Diffuser
*Please factor in change in lumen output with diffuser -20% with WD.			<sup>1</sup> Please factor in change in lumen output of -14%. <sup>2</sup> Please factor in change in lumen output of -40%. <sup>3</sup> Please factor in change in lumen output of -25%. <sup>4</sup> Please factor in change in lumen output of -20%.

# Bolt - Tunable White (ColorFlip™)



## Current Consumption

	Volt	120V	277V
Wattage			
260W		2.39A	1.18A

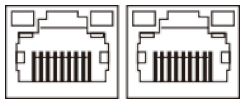
## DMX Requirements

Each Bolt DMX unit has TWO CHANNELS per fixture (1 to control intensity, 1 to control color).  
 Fixture will be controlled by DMX number controlling intensity. We do not recommend more than 32 fixtures per DMX daisy chain. When placing order, please indicate DMX address (refer to DMX Address example below). DMX address will be listed on the back of each fixture.

Fixture	DMX Address	
	Intensity Control (ex. X)	Color Control (ex. X+1)
#1	1	2
#2	3	4
#3	5	6

The LED fixture provide RJ45 Socket or XLR socket to connect. (DMX cable NOT included.)  
 The final fixture should be terminated by the use of DMX Terminator (by others).

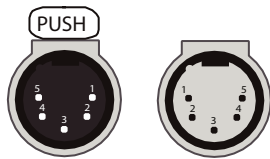
RJ45 Sockets



DMX IN

DMX OUT

XLR Sockets



DMX IN

DMX OUT

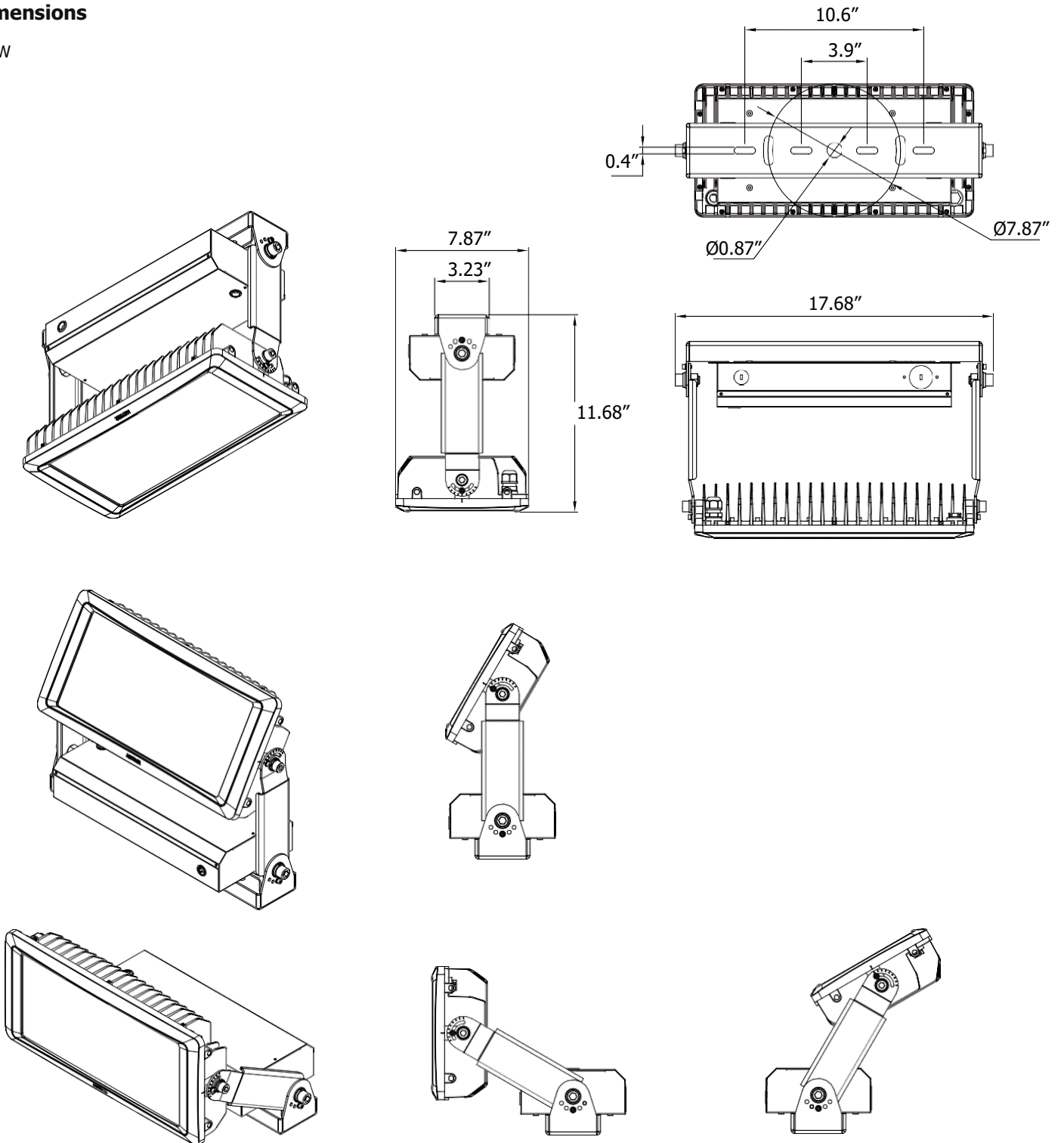
CONNECTION	RJ45 (CAT5e)	5-PIN XLR
Common	WHITE/BROWN(PIN7) & BROWN(PIN 8)	PIN 1
Signal -	ORANGE(PIN 2)	PIN 2
Signal +	WHITE/ORANGE(PIN 1)	PIN 3
Spare	-	PIN 4
Spare	-	PIN 5

# Bolt - Tunable White (ColorFlip™)



## Dimensions

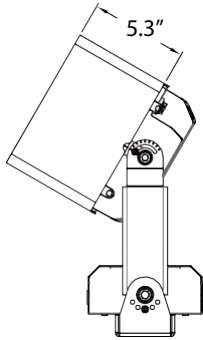
260W



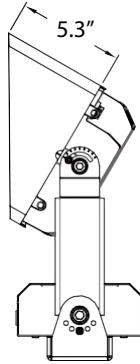
# Bolt - Tunable White (ColorFlip™)



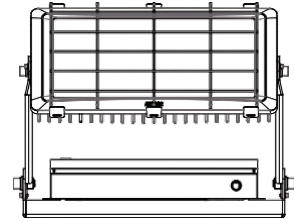
## Accessory



**Glare Shield Baffle**



**Glare Shield Visor**



**Wire Guard**