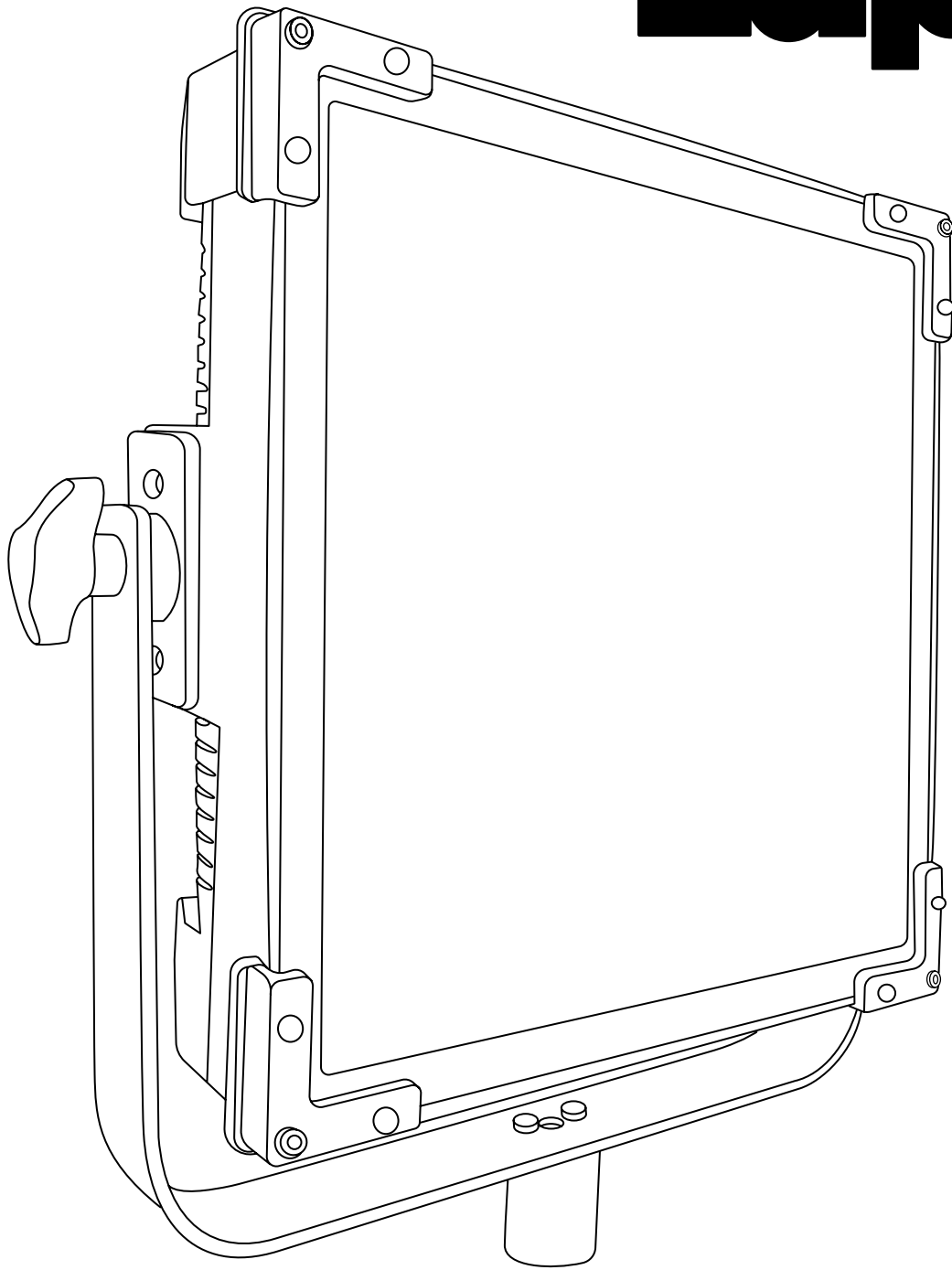


Lupo

Made in Italy



Cod 815PRO

UltrapanelPRO Full Color 30 Soft

 FRAMELIGHT

sales@framelight.com.au | framelight.com.au

Technical Data

Dimensions (cm)	350 x 353 x 117 mm
Dimensions (in)	13.7 x 13.8 x 4.6 in
Weight (kg)	4,9 Kg
Weight (lb)	10.8 lb
CRI (Colour Rendering Index)	95
TLCI (Television Lighting Consistency Index)	96
Estimated LED lifetime (L80)	50,000 hours
Dimmer 0 - 100	included
Dimming curves mode	Linear, Exponential, Logarithmic
DMX module	included
DMX (bit)	8 bit / 16 bit
Connection for 14.8 V battery with standard XLR 4 pin connector (pin 1: negative / pin 4: positive)	included
Standard XLR 5 pin connectors to DMX console	included
Watt consumption	220 W
Watt output (equivalent to tungsten)	2000 W
Firmware upgrades	through USB port
Colour temperature	2800 K - 10000 K
Voltage AC	90 V - 240 V
Voltage DC	14.8 V
Light beam	120°
Frequency (input)	50 / 60 Hz
Compliance	CE
Remote control	Bluetooth Long Range / DMX / RDM
Ambient temperature	Max: + 45°C / Min: - 10°C
Power factor	0.96

Photometric data	6500 K	5600 K	3200 K
Distance			
Lux at 1 m - 3.2 ft	8600	8350	7800
Lux at 2 m - 6.5 ft	2100	2050	2000
Lux at 3 m - 9.8 ft	1100	1000	940
Lux at 4 m - 13.1 ft	630	620	590
Lux at 5 m - 16.4 ft	410	400	380

Mode Options

CCT (Correlated Color Temperature)

Mode for variable color temperature control from 2700 K to 10000 K with the addition of plus and minus green/magenta offset.

HSI (Hue, Saturation and Intensity)

Mode for full color control.

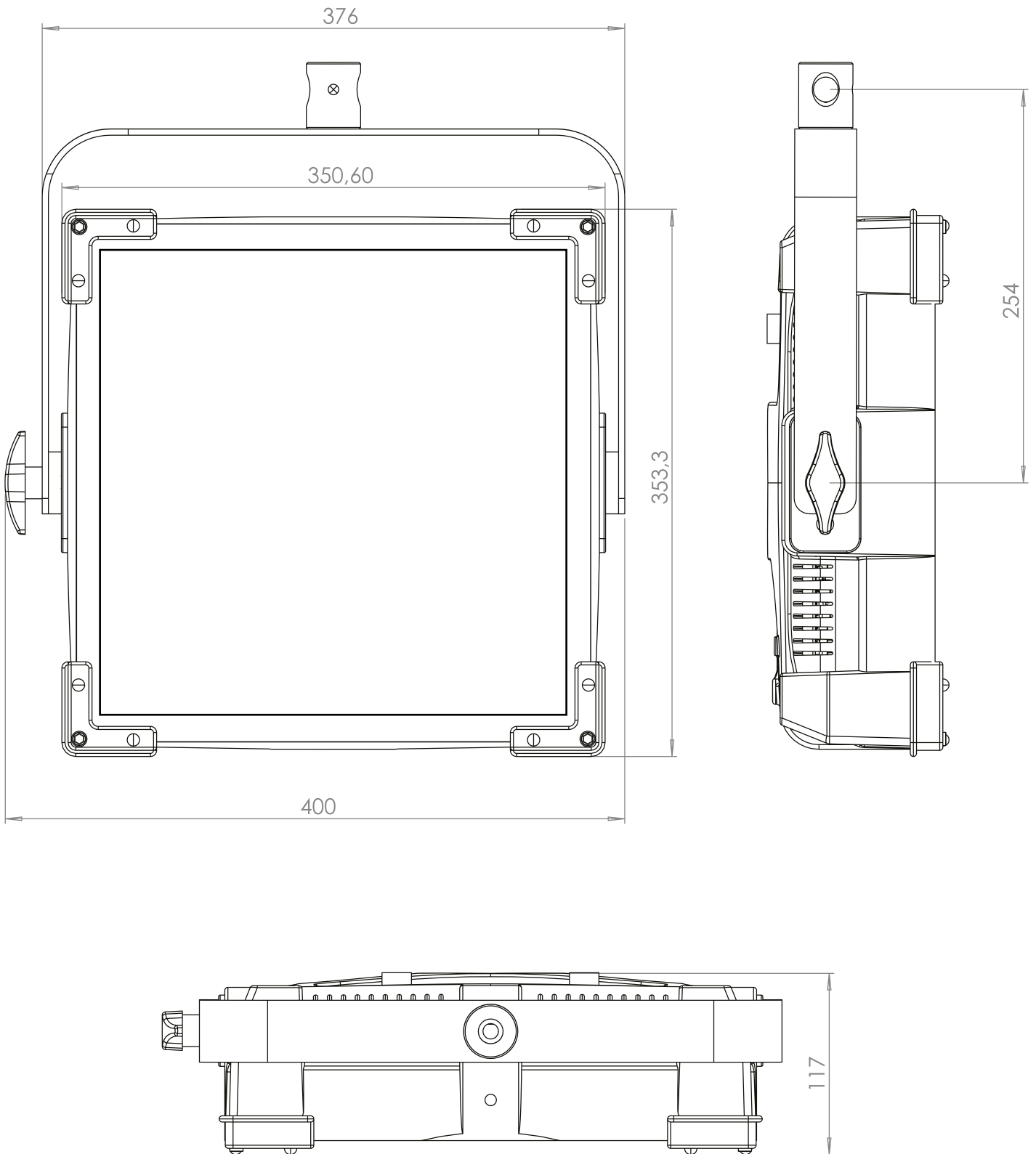
RGBW

Mode for control of Red, Green, Blue and White independently.

Preset

Mode for a selected variety of gels.

Technical Drawing



Pole Operated Yoke

