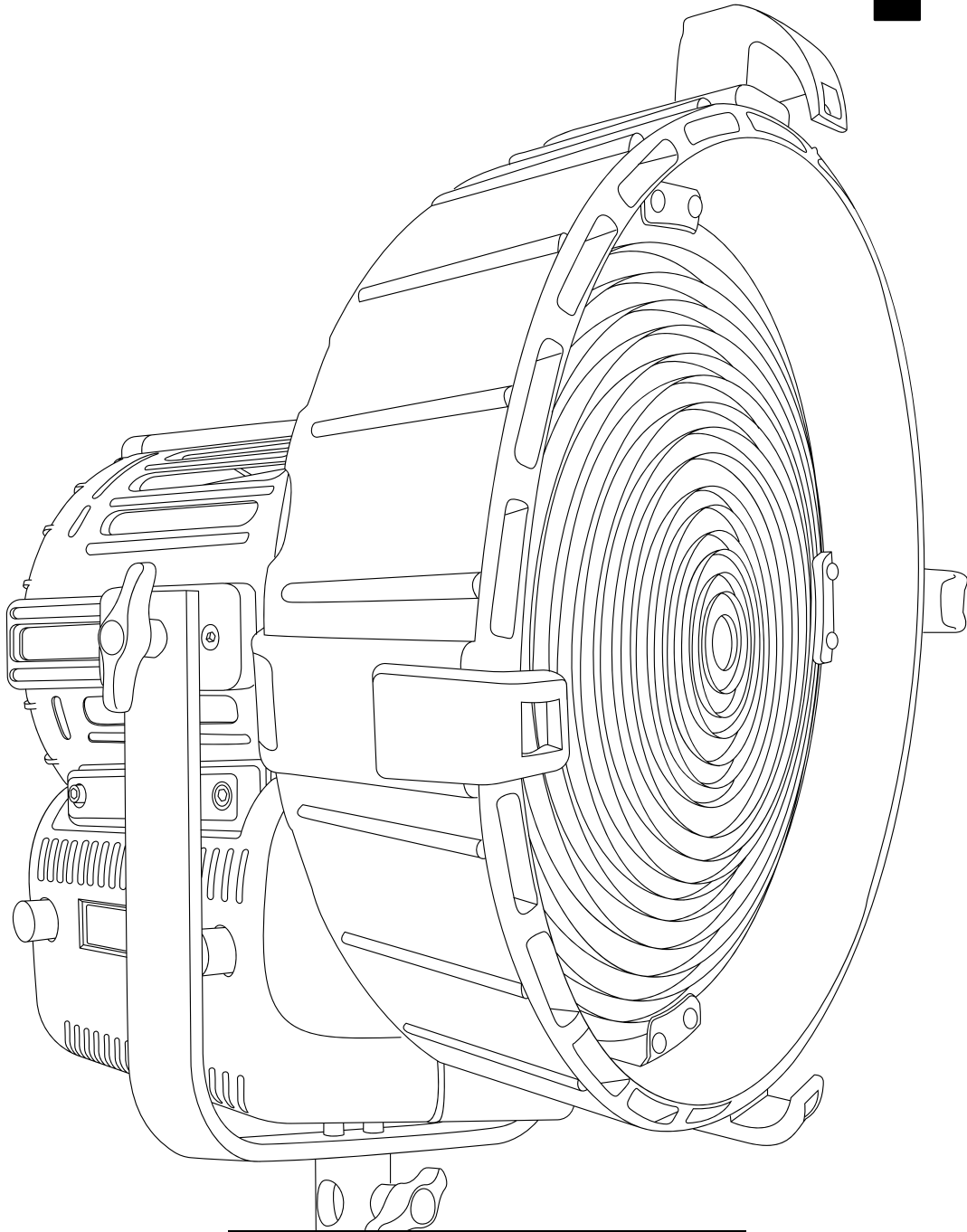


Lupo

Made in Italy



Cod 310 PRO

DayledPRO 3000 Full Color

 FRAMELIGHT

sales@framelight.com.au | framelight.com.au

Technical Data

Dimensions (mm)	466,5 x 375 x 367 mm
Dimensions (in)	18.3 x 14.7 x 14.4 in
Weight (kg)	8 kg
Weight (lb)	17.6 lb
CRI (Colour Rendering Index)	96
TLCI (Television Lighting Consistency Index)	99
Estimated LED lifetime (L80)	50,000 hours
LED COB	350 W
Dimmer 0 - 100	included
Dimming curves mode	Linear, Exponential, Logarithmic
Connection for 14.8 V battery with standard XLR	included
4 pin connector (pin 1: negative / pin 4: positive)	
Standard XLR 5 pin connectors to DMX console	included
Watt consumption	330 W
Watt output (equivalent to tungsten)	3000 W
Fresnel lens	300 mm
Firmware upgrades	through USB port
Colour temperature	2800 K - 10000 K
Voltage AC	90 V - 240 V
Light beam	10° - 55°
Frequency (input)	50 / 60 Hz
Compliance	CE
Remote control	Bluetooth Long Range / DMX / RDM
Ambient temperature	Max: + 45°C / Min: - 10°C
Power Factor	0.96

Photometric data	6500 K		5600 K		3200 K	
	spot	flood	spot	flood	spot	flood
Distance						
Lux at 1 m - 3.2 ft	-	-	-	-	-	-
Lux at 2 m - 6.5 ft	45000	4400	43000	4300	41200	4100
Lux at 3 m - 9.8 ft	21000	2100	20000	2080	19600	2010
Lux at 4 m - 13.1 ft	12300	1250	12000	1210	11400	1180
Lux at 5 m - 16.4 ft	7600	860	7500	830	7300	810

Mode Options

CCT (Correlated Color Temperature)

Mode for variable color temperature control from 2700 K to 10000 K with the addition of plus and minus green/magenta offset.

HSI (Hue, Saturation and Intensity)

Mode for full color control.

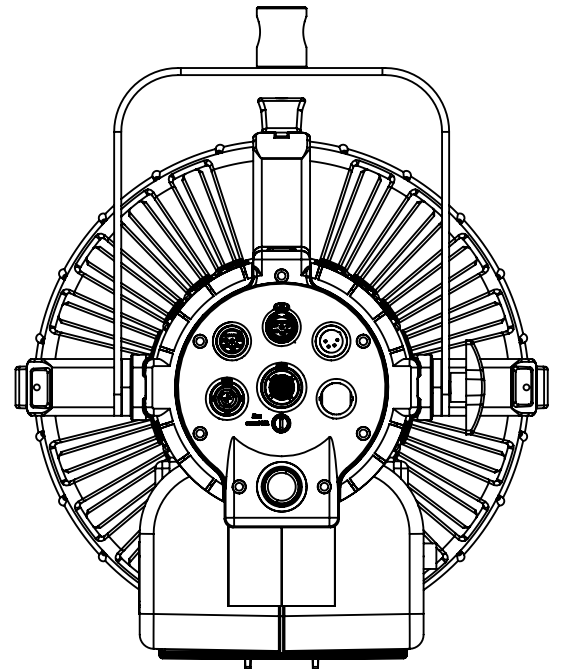
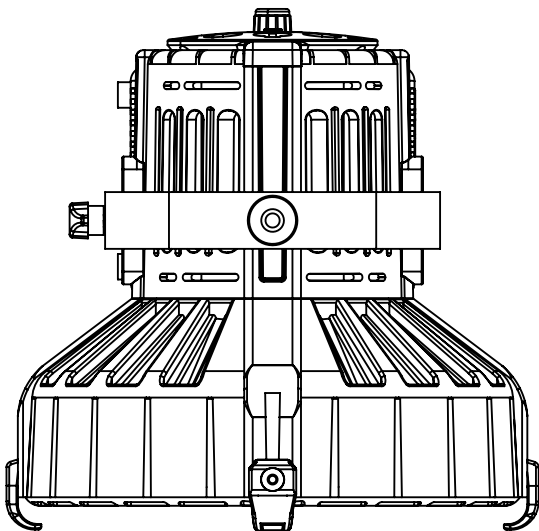
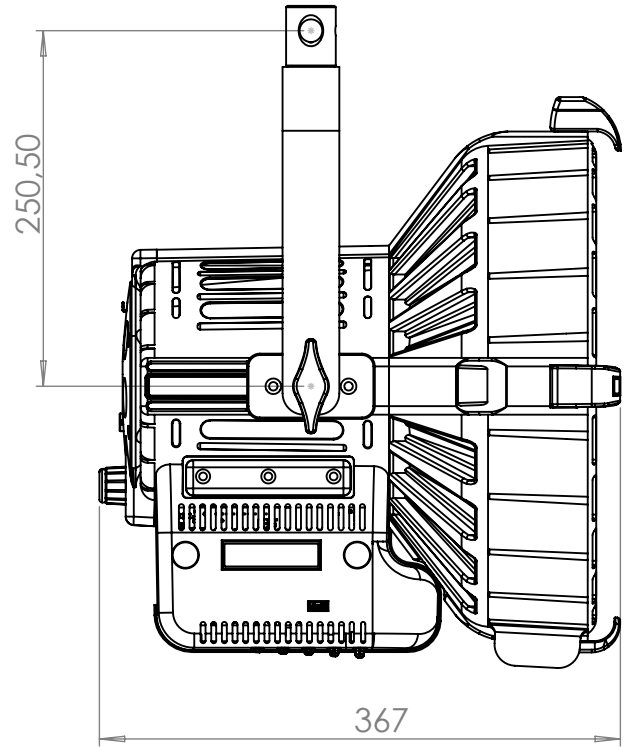
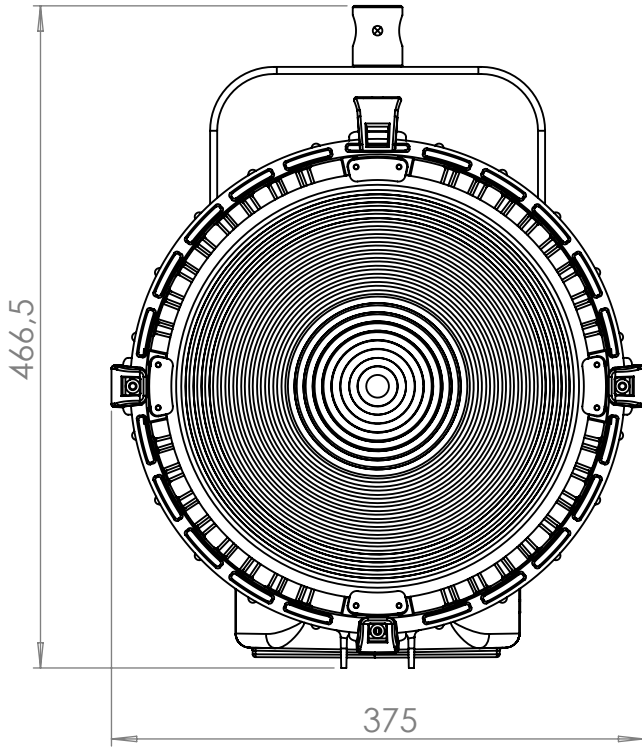
RGBW

Mode for control of Red, Green, Blue and White independently.

Preset

Mode for a selected variety of gels.

Technical Drawing



Pole operated yoke

