



A+

GLOBE G2 RECESSED WHITE TUNE

Exclusive downlight in modern design with cupped reflector. High lumen output and deeply placed light source provide a glare-free light. The appearance of the luminaire can be reinforced with reflectors in various colours to match choices of materials and interior. Globe G2 is the natural choice for homes as well as hotels and restaurants. Complete with mains dimmable driver, 3-pole push-in terminal for through wiring and strain relief for cable or flex hose 16 mm. Dimmable with the most commonly available dimmers on the market. Can be delivered with Converter DALI.

DESCRIPTION

GTIN:	7392971136110
Item Name:	Globe G2 Recessed White Tune
Warranty:	5 years

LIGHT TECHNICAL DATA

Light Source:	LED
Light Source Included (type):	LED not exchangeable
LED Colour:	Tune
Colour Temperature (K):	2700
Range Colour Temperature (K):	Tune 2000-2700
Colour Rendering Index (Ra):	>95
Colour Consistency (SDCM):	3
Luminous Intensity (cd):	850
Luminaire Lumen (lm):	440
Beam Angle (°):	36
Light sharing:	Symmetric
Light Outlet:	Direct
Number of Lamps (pcs):	1
Number of LED (pcs):	1
Life Time:	L70 80 000h Ta 25°C
Nominal Life Time (h):	80000
Life Time Driver:	50 000h/3%

TECHNICAL DATA

Adjustable:	No
Voltage (type):	AC
Voltage Interval (V):	220...240
Voltage Nominal (V):	230
Line Frequency (Hz):	50
Power LED (W):	6,5
Power Luminaire (W):	7,5
System Power (W):	7,5
Efficiency Luminaire (lm/W):	59
Efficiency System (lm/W):	59
Energy Efficiency Class:	A+

OPERATION AND CONNECTION

Driver Included:	Yes
Driver Model:	Constant Current
Driver Type:	Stand Alone
Connection (type):	Quick Terminal
Connection (mm2):	3x0,5-2,5
Through Wiring:	Yes
Strain Relief:	Yes
Operating Temperature:	-20...+40
Max. Tc (°C):	85
Dimmable:	Yes
Type of Dimming:	Trailing Edge, Leading Edge
Memory Function Power Failure:	No
Protection Against:	Short Circuit, Overheating 110°C, Overload
Fuse B10 (pcs):	60
Fuse B16 (pcs):	90
Fuse C10 (pcs):	73
Fuse C16 (pcs):	110

COLOR AND MATERIAL

Material:	Aluminium
Color:	White
Color Code (RAL):	9016

MEASUREMENT AND INSTALLATION

Operation Environment:	Indoor / wet locations
IP Degree of Protection:	44
Installation:	Built-in
Mounting Installation:	Mounting Spring
Ceiling Thickness Interval (mm):	3-40
Fire Safety Marks:	Not in insulation without protection cover
Protection Cover:	7466700, 7466701, 7466702
Approval Marks:	CE, SELV
Filament Test IEC 695-2-1(°C):	650
Protection Class:	II
Height (mm):	58
Diameter (mm):	103
Weight (kg):	0,28
Min. Built-in (mm):	250x250x60
Min. Air Volume (cm3):	3118
Height Recessed Part (mm):	55
Height Exterior Part (mm):	3
Min. Built-in (Ø mm):	92
Max. Built-in (Ø mm):	96

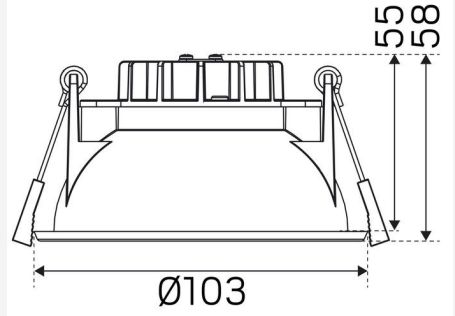


This luminaire contains built-in LED lamps.

The lamps cannot be changed in the luminaire.

hidealite Globe G2 Recessed 874/2012

(mm)



(mm)

