

Fiilex

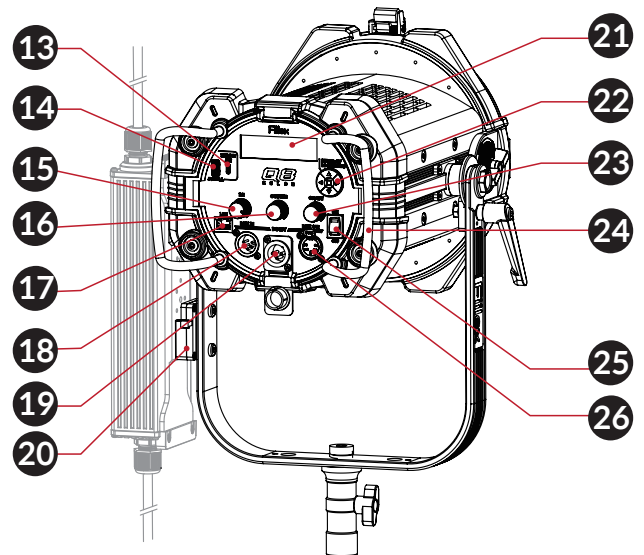
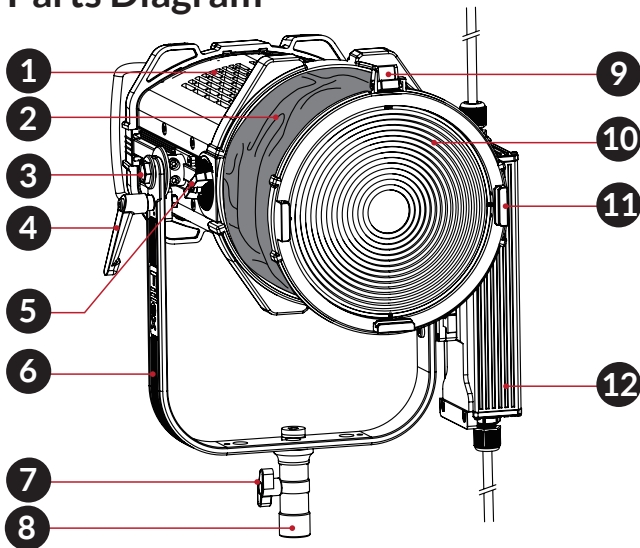
Q8 COLOR

User Guide

Safety Instructions

- DO NOT look into the light source. Be cautious of the high-intensity beam.
- DO NOT disassemble Q8 Color. This will void the warranty.
- DO NOT install Q8 Color in damp or wet locations.
- DO NOT obstruct the fixture's air vents.
- Use safety cable (not included) when rigging Q8 Color overhead.
- Only use Fiilex approved power supply and accessories. Failure to do so may damage the fixture.
- Shields, lenses or ultraviolet screens shall be changed if they have become visibly damaged to such an extent that their effectiveness is impaired, for example by cracks or deep scratches.
- The lamp shall be changed if it has become damaged or thermally deformed.
- The luminaire is intended for professional use only.

Parts Diagram




- | | | |
|--|-----------------------------------|-----------------------------------|
| 1. Vent Holes | 10. Fresnel Lens | 18. DMX Input (XLR-Male 5-pin) |
| 2. Water Repellent Fabric | 11. Fresnel Lens Holder | 19. DC Input Port |
| 3. Yoke Bolt | 12. Power Supply Unit (PSU) | 20. Dual Locking V-Mount |
| 4. Tilt Lock Lever | 13. USB Type-C Port | 21. OLED Display |
| 5. Beam Adjustment Knob
(Spot to Flood) | 14. USB Type-A Port (5V/1A Power) | 22. Navigation Pad |
| 6. Yoke | 15. Intensity Control Knob | 23. GN/SAT Knob |
| 7. Mount Tightening Knob | 16. CCT/HUE Knob | 24. Handles |
| 8. Junior Pin Receiver | 17. LAN Port | 25. ON/OFF Switch |
| 9. Latch | 18. DMX Input (XLR-Male 5-pin) | 26. DMX Output (XLR-Female 5-pin) |

 **FRAMELIGHT**

sales@framelight.com.au | framelight.com.au

Fixture Operation


• Mode Selection


Use Navigation Pad  to enter MODES, then navigate through modes and select the desired mode.



• Fixture Control

1 Manual / Local :

Use Intensity Control Knob and/or the Navigation Pad  to control the parameters.

For CCT modes and HSI modes, use either CCT/HUE Knob and GN/SAT Knob or the Navigation Pad .



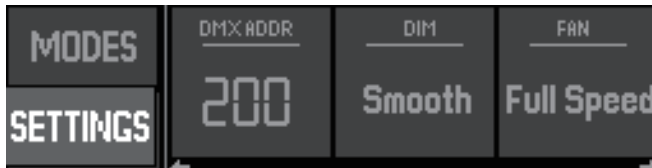
2 DMX / RDM / Ethernet (ArtNet / sACN) :

Display shows DMX connection status, NO DMX or DMX OK.



Settings

Use Navigation Pad  to enter and edit SETTINGS. Navigate to the right to access additional settings.



• Fan speed options

Off	The fan is completely off. (Operation time is limited.)
Variable	The fan speed varies based on light intensity.
Silent	The fan operates at reduced speed.
Full Speed	The fan operates at full speed.

• Dimming options

Sharp	Best for flash and strobe effects.
Smooth	Best for gradual fades.

• Ethernet

Modify ArtNet and sACN settings of the fixture.



• Info

View current fixture firmware versions and fixture temperature.

