

Q5

COLOR

User Guide

Safety Instructions

- DO NOT look into the light source. Be cautious of the high-intensity beam.
- DO NOT disassemble Q5 Color. This will void the warranty.
- DO NOT install Q5 Color in damp or wet locations.
- DO NOT obstruct the fixture's air vents.
- Use safety cable (not included) when rigging Q5 Color overhead.
- Only use Filex approved power supply and accessories. Failure to do so may damage the fixture.

Operation Modes

Mode 1	CCT, 8-bit	Mode 9	CCT, 16-bit
Mode 2	HSI, 8-bit	Mode 10	HSI, 16-bit
Mode 3	RGBW, 8-bit	Mode 11	RGBW, 16-bit
Mode 4	CCT + HSI, 8-bit	Mode 12	CCT + HSI, 16-bit
Mode 5	CCT + RGBW, 8-bit	Mode 13	CCT + RGBW, 16-bit
Mode 6	CIE-x,y, 8-bit	Mode 14	CIE-x,y, 16-bit
Mode 7	Gel, 8-bit	Mode 15	Gel, 16-bit
Mode 8	Effects, 8-bit	Mode 16	Effects, 16-bit

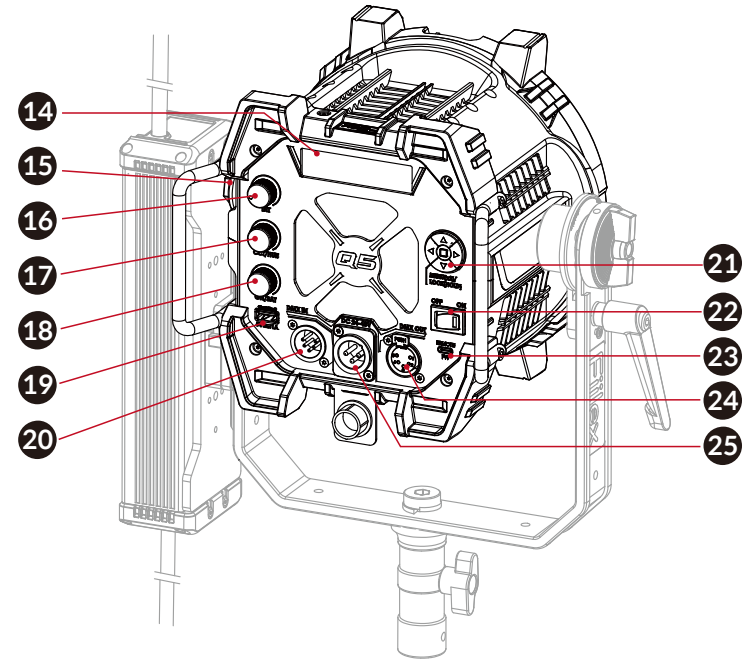
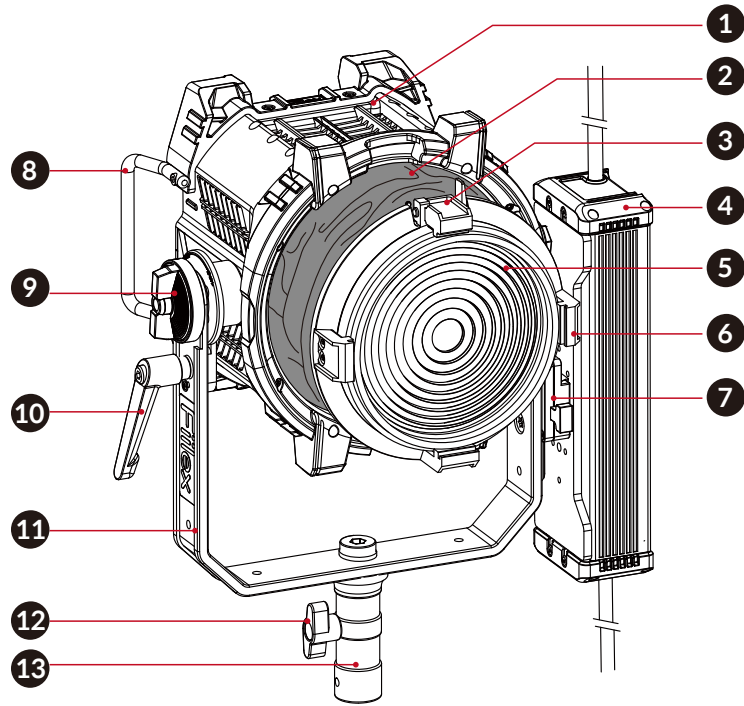
Settings

Fan Speed	Description
Off	The fan is completely off. (Operation time is limited.)
Variable	The fan speed varies based on light intensity.
Silent	The fan operates at reduced speed.
Full Speed	The fan operates at full speed.

Dimming	Description
Sharp	Best for flash and strobe effects.
Smooth	Best for long slow fades.



Parts Diagram



- 1. Vent Holes
- 2. Water Repellent Fabric
- 3. Latch
- 4. Power Supply Unit (PSU)
- 5. Fresnel Lens
- 6. Fresnel Lens Holder
- 7. Dual Locking V-Mount
- 8. Handles
- 9. Beam Adjustment Knob
- 10. Tilt Lock Lever
- 11. Yoke (1/4"-20 UNC Screw Hole)
- 12. Mount Tightening Knob
- 13. Baby/Junior Pin Receiver

- 14. OLED Display
- 15. Yoke Bolt
- 16. Intensity Control Knob
- 17. CCT/HUE Knob
- 18. GN/SAT Knob
- 19. USB Type-A Port (5V/1A Power)
- 20. DMX Input (XLR-Male 5-pin)
- 21. Navigation Pad
- 22. ON/OFF Switch
- 23. USB Type-C Port (For updating firmware)
- 24. DMX Output (XLR-Female 5-pin)
- 25. DC Input Port