

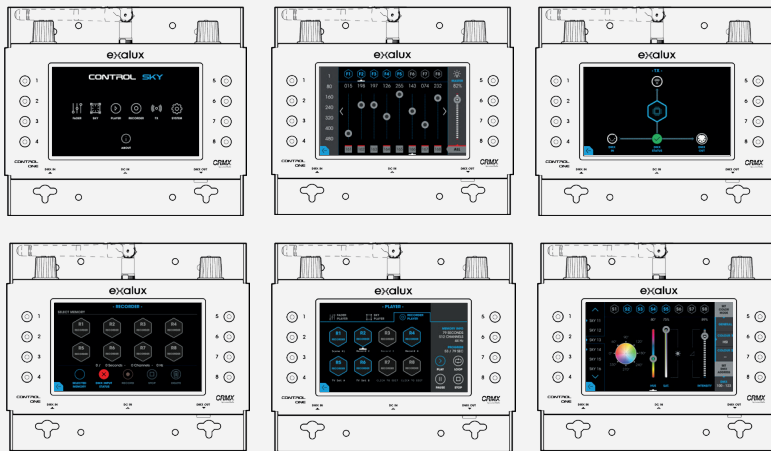
CONTROL SKY ULTIMATE

EXALUX™ CONTROL SKY is an all-in-one wireless DMX controller especially designed to control up to 20 SkyPanel® with sense and simplicity.

EXALUX™ CONTROL SKY offers 5 DMX applications in a single and compact box that can be powered with an external power supply (10-24VDC) ,a V-lock battery (14,4VDC) or a PowerBank (5VDC).

CONTROL SKY includes the SKY App which allows you to control up to 20 ARRI SkyPanel® fixtures (P30 mode) in a simple and intuitive way. CONTROL SKY also includes the TX App that allows to use the device as a CRMX transmitter.

CONTROL SKY works perfectly with the EXALUX™ CONNECT CRMX family such as RX100 and RX100s wireless receivers. CONTROL SKY also works perfectly with other CRMX devices available on the market.



KITS

Control SKY Starter | CTL.002.004

PARTS & ACCESSORIES

Control SKY unit	CTL.002.005
RX100 receiver	CNT.000.004
RX100s mini receiver	CNT.000.005
15V/12W Plug-In PSU	PSU.001.007
5VDC / 36Wh battery	PSU.002.013
XLR4/D-TAP cable	COR.001.006
EXALUX Carrying case	EMB.004.003
EXALUX Pouch	EMB.003.001

All-in-One DMX Swiss knife

- SkyPanel® controller (DMX mode P30)
- DMX console with 512 sliders
- CRMX By LumenRadio™ Transmitter
- DMX recorder
- 3x8 Memories Player



User-friendly & Future Proof

- Easy access to all Skypanel® modes
- On screen customization (watermark)
- Lockable settings with pin code
- Screen and hardware control locking
- Battery powered (external)



Hybrid technologies

- TFT 5.0" capacitive touch display
- Hardware controls
- DMX + Wireless DMX



A multi-purpose device

- Ideal to use on cinema sets
- Ready for Web TV & small studios
- Convenient for events/staging

APPS & FEATURES

FADER	Virtual DMX console 512 sliders 1 master 8 memories Black-out, Full On
SKY	SkyPanel [®] controller Up to 20 Skypanel Modes : standard, source match, Filters, Effects
RECORDER	Real time DMX Recorder 8 memories 80s recording @44Hz max
PLAYER	3 x 8 bank Memories Player center
	FADER SKY : 8 memories Made time + Master settings
	RECORDER : 8 memories 1 time / loop mode
TX	2.4GHz CRMX by LumenRadio™ Transmitter
UPDATE	Firmware trough USB

TECHNICAL SPECIFICATIONS

Display	TFT 5.0", 800x480 pixels, Capacitive Touch, Super bright
Control	Master & settings (knobs), Memory store/restore, CRMX Link, Black-out, Lock
DMX In/Out	Input : Neutrik XLR 5 pins Male Output : Neutrik XLR 5 pins Female
Power Consumption	Min : 2,1W (Screen Off) MAX : 4,2W (Screen & CRMX On) STANDBY : 0,025W
Power Input	Neutrik XLR 4 pins (10-24VDC) Micro USB (5VDC)
Housing / construction	Aluminium
IP Rating	IP30
Certifications	CE, RoHS
Weight	700g (without battery)

RADIO INTERFACE

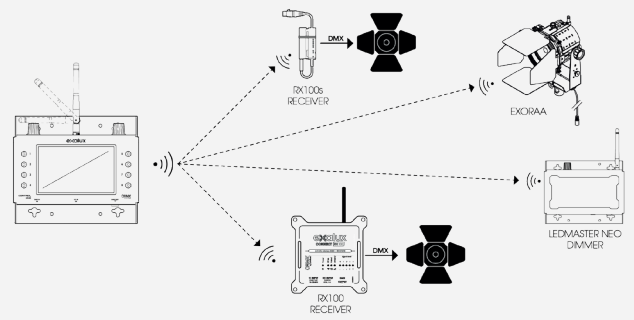
Standard / technology	CRMX by LumenRadio™
Frequency	2,402 ~ 2,480 GHz
Antenna connector	RP-SMA (female)
RF output	20 dBm (100mW)
RF modulation	GFSK
Range	500-1000m (depending on the receiver and the environment)

OPERATING CONDITIONS

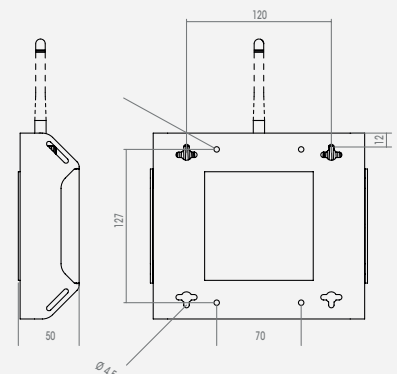
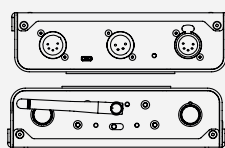
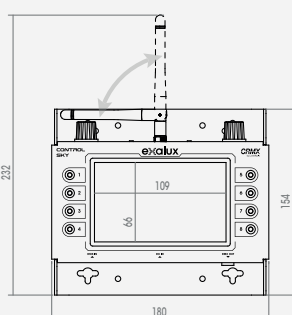
		Min	Typ	Max	
Input Voltage (USB)	V _{in}	4,5	5	5,5	Vdc
Input Voltage (XLR4)	V _{in}	10	14	24	Vdc
Storage T°	T _{st}	-30		+80	°C
Operating T°	T _{op}	-20	25	+60	°C

DMX INTERFACE

Protocol	DMX512-A
Universe support	1
DMX input	Neutrik XLR 5 pins male
DMX output	Neutrik XLR 5 pins female



DIMENSIONS



Rev : B | 2019-03