

# CONTROL ONE

EXALUX™ CONTROL ONE is an all-in-one wireless DMX controller especially designed to control lights with sense and simplicity.



**CRMX™**  
by LumenRadio

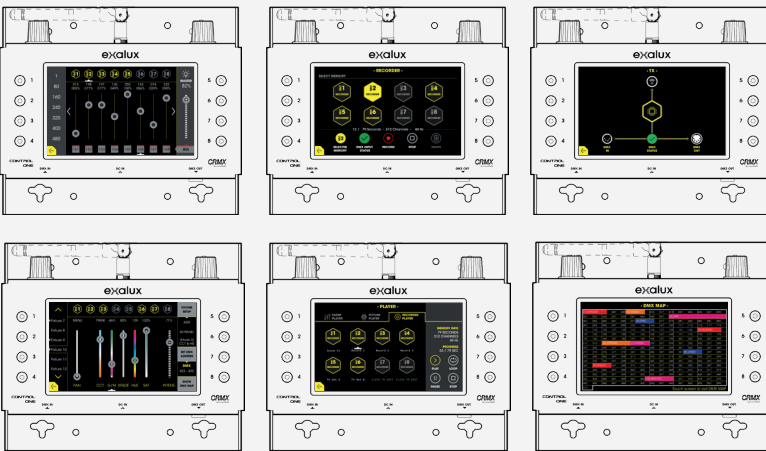


[watch the video !](#)

EXALUX™ CONTROL ONE offers **5 DMX applications in a single box** that can be powered with an external power supply (10-24VDC) ,a V-lock battery (14,4VDC) or a PowerBank (5VDC).

CONTROL ONE is your ideal companion to **control all your DMX devices** on cinema sets. It is also perfect for small TV studio setups.

CONTROL ONE works perfectly with the EXALUX™ CONNECT CRMX family such as RX100 and RX100s wireless receivers. CONTROL ONE also works perfectly with other CRMX devices available on the market.

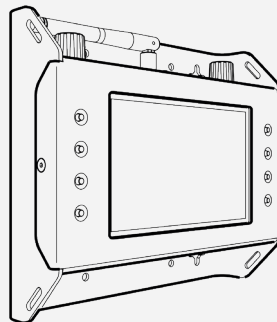


## KITS

Control One Starter | CTL.002.001

## PARTS & ACCESSORIES

Control One	CTL.002.000
RX100 receiver	CNT.000.004
RX100s mini receiver	CNT.000.005
15V/12W Plug-In PSU	PSU.001.007
5VDC / 36Wh battery	PSU.002.013
XLR4/D-TAP cable	COR.001.006
EXALUX Carrying case	EMB.004.003
EXALUX Pouch	EMB.003.001



### All-in-One DMX Swiss knife

- Universal fixtures controller
- DMX console with 512 sliders
- CRMX By LumenRadio™ Transmitter
- DMX recorder
- 3x8 Memories Player



### User-friendly & Future Proof

- DMX libraries upgradable via usb
- On screen customization (watermark)
- DMX mapping view screen
- Lockable settings with pin code
- Screen and hardware control locking
- Battery powered (external)



### Hybrid technologies

- TFT 5.0" capacitive touch display
- Hardware controls
- DMX + Wireless DMX



### A multi-purpose device

- Ideal to use on cinema sets
- Ready for Web TV & small studios
- Convenient for events/staging

## APPS & FEATURES

<b>FADER</b>	Virtual DMX console   512 sliders   1 master   8 memories   Black-out, Full On
<b>FIXTURE</b>	Fixture controller   Up to 40 fixtures   DMX libraries with the most popular lighting fixtures
<b>RECORDER</b>	Real time DMX Recorder   8 memories   80s recording @44Hz max
<b>PLAYER</b>	3 x 8 bank Memories Player center
	<b>FADER   FIXTURE</b> : 8 memories   Made time + Master settings
	<b>RECORDER</b> : 8 memories   1 time / loop mode
<b>TX</b>	2.4GHz CRMX by LumenRadio™ Transmitter
<b>UPDATE</b>	Firmware & DMX libraries trough USB

## TECHNICAL SPECIFICATIONS

<b>Display</b>	TFT 5.0", 800x480 pixels, Capacitive Touch, Super bright
<b>Control</b>	Master & settings (knobs), Memory store/restore, CRMX Link, Black-out, Lock
<b>DMX In/Out</b>	Input : Neutrik XLR 5 pins Male   Output : Neutrik XLR 5 pins Female
<b>Power Consumption</b>	Min : 2,1W (Screen Off)   MAX : 4,2W (Screen & CRMX On)   STANDBY : 0,025W
<b>Power Input</b>	Neutrik XLR 4 pins (10-24VDC) Micro USB (5VDC)
<b>Housing / construction</b>	Aluminium
<b>IP Rating</b>	IP30
<b>Certifications</b>	CE, RoHS
<b>Weight</b>	700g (without battery)

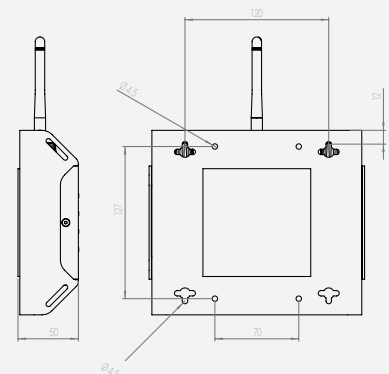
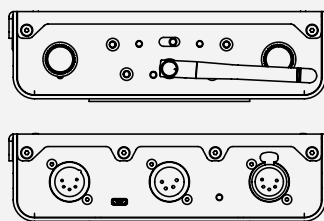
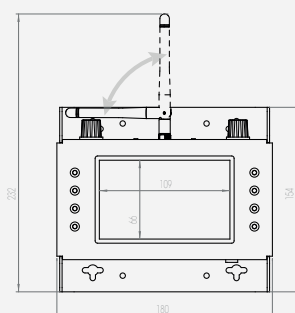
## RADIO INTERFACE

<b>Standard / technology</b>	CRMX by LumenRadio™
<b>Frequency</b>	2,402 ~ 2,480 GHz
<b>Antenna connector</b>	RP-SMA (female)
<b>RF output</b>	20 dBm (100mW)
<b>RF modulation</b>	GFSK
<b>Range</b>	500-1000m <small>(depending on the receiver and the environnement)</small>

## OPERATING CONDITIONS

		Min	Typ	Max	
<b>Input Voltage (USB)</b>	V <sub>in</sub>	4,5	5	5,5	Vdc
<b>Input Voltage (XLR4)</b>	V <sub>in</sub>	10	14	24	Vdc
<b>Storage T°</b>	T <sub>st</sub>	-30		+80	°C
<b>Operating T°</b>	T <sub>op</sub>	-20	25	+60	°C

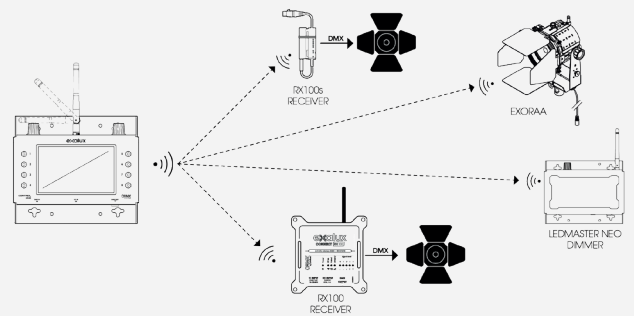
## DIMENSIONS



Rev : C | 2019-05

## DMX INTERFACE

<b>Protocol</b>	DMX512-A
<b>Universe support</b>	1
<b>DMX input</b>	Neutrik XLR 5 pins male
<b>DMX output</b>	Neutrik XLR 5 pins female



Pictures, weights and technical specifications are only indicative, not binding.