

CONNECT RX200N

EXALUX™ CONNECT RX200N is a professional Wireless RDM/DMX receiver based on LumenRadio™ CRMX technology.

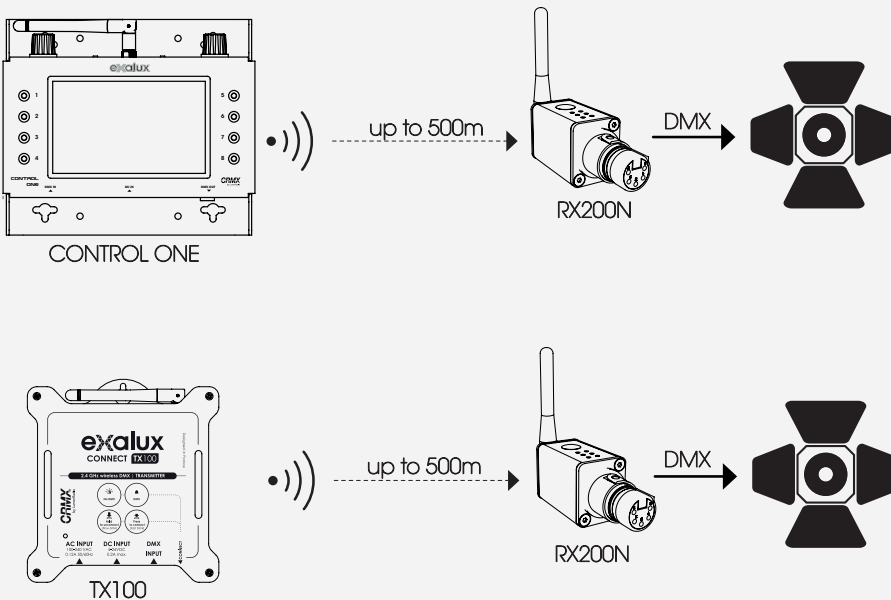


CONNECT RX200N is an ultra compact wireless RDM/DMX receiver. Its RDM and DMX compatibility makes it ready for the futur of DMX.

Thanks to its wide supply range (+5 to 26VDC), the dongle can be powered through the USB connector of a DMX fixture, a Vlock battery through the D-TAP connector or any external PSU. RX200N is really a universal and robust tool suitable for all DMX fixtures.

RX200N CRMX receiver works perfectly with the EXALUX™ CONNECT CRMX family such as TX100. It also works perfectly with other CRMX devices available on the market such as EXALUX CONTROL ONE or CONTROL SKY.

RX200N-RP is an optimized version for the SkyPanel and available as an option. On this version, the XLR connector and antenna are inverted by 180° compared to the standard version.



Wireless with Exalux's DNA

CRMX by LumenRadio™ inside
DMX512 + RDM-ANSI E1.20 compliant
1 universe / 512 channels



User-centric

Wide supply range
Wireless level indicator
Easily connectable to all fixtures
Plug & play



Reliability & freedom

Rugged and compact design
Internal antenna
DMX fidelity without any latency

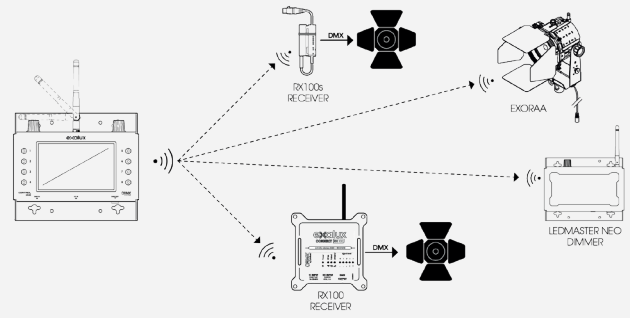
PARTS & ACCESSORIES

RX200N Basic	CNT.002.001
RX200N-RP Basic	CNT.002.002

ABOUT CRMX By LUMEN RADIO

Based on LumenRadio™ CRMX technology, EXALUX™ CONNECT RX200N brings **DMX fidelity without any latency**.

CRMX by LumenRadio™ patented Cognitive Coexistence technologies allows our wireless solutions to ensure optimum performance even when other wireless systems are operating in the same area.



TECHNICAL SPECIFICATIONS

Power Connection	2.0x5.5MM DC jack
Control	Unlink (switch), Power, Paired, DMX, Signal level (LED)
Power Consumption	<0,9W
Housing / construction	Aluminium
IP Rating	IP30
Certifications	CE, RoHS
Weight	80g

RADIO INTERFACE

Standard / Technology	CRMX by LumenRadio™
Frequency	2,402 ~ 2,480 GHz
Antenna	External, 2,4GHZ 2.0dBi
RF output	20 dBm (100mW)
RF Modulation	GFSK
Range	Up to 300m (depending on the transmitter and the environment)

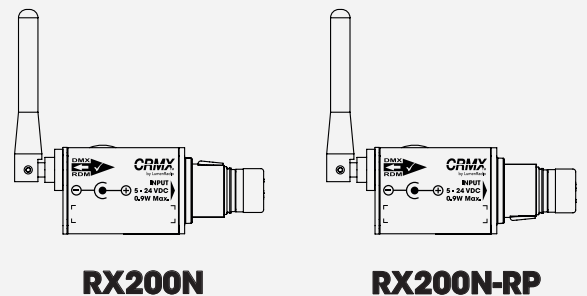
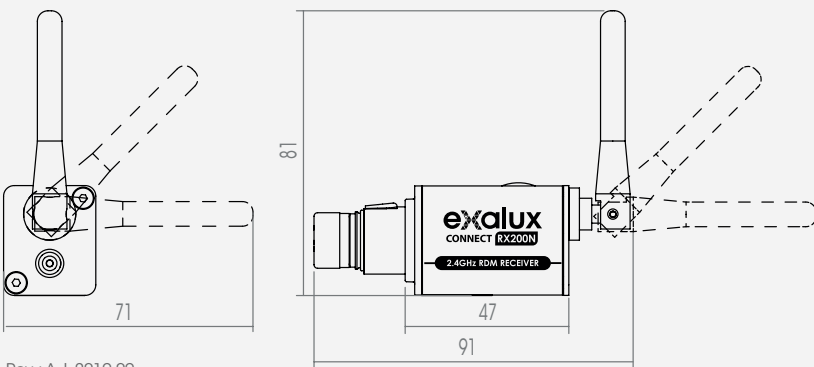
DMX INTERFACE

Protocol	DMX512-A RDM-ANSI E1.20
Universe support	1
DMX frame rate	0,8-830Hz
End to end latency	< 5ms
DMX output	Neutrik XLR 5 pins F

OPERATING CONDITIONS

		Min	Typ	Max	
Input Voltage (USB)	V _{in}	4,5	5	26.0	Vdc
Storage T°	T _{st}	-20		+75	°C
Operating T°	Top	-10	25	+55	°C

DIMENSIONS



Rev.: A | 2019-09