

SPOTLIGHTS

LED-Venus

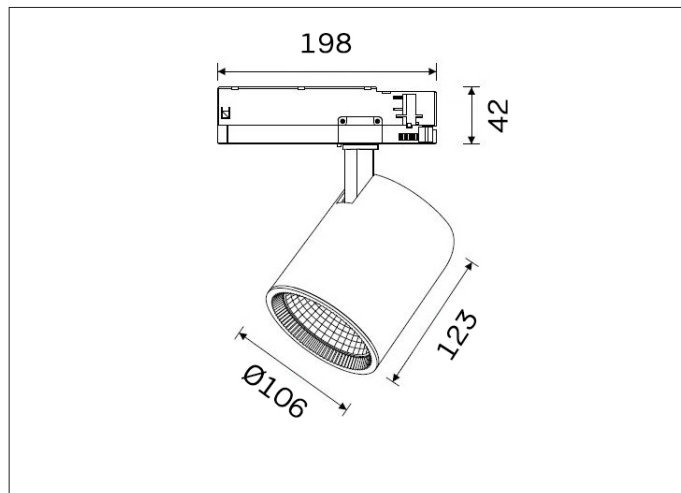
for 3-phase track



BASE INFO, PICTURES AND TECHNICAL DRAWINGS



DIMENSIONS	Luminaire housing: 106 x 123 mm [ø x H] Adapter: 198 x 42 mm [L x H]	IP RATING	IP20
POWER CONSUMPTION	Max. 27 W	LUMINAIRE HOUSING	Aluminium powder-coated white, black or grey
LUMINOUS FLUX	Max. 3,350 lm	CONVERTER	Overload protection Overtemperature protection Short-circuit protection
LIGHT BEAM ANGLE	15°/30°/45°/60°	OPTIONS	Phase alignment DALI 1–10 V
SERVICE LIFE	LED 50,000 hours at 70% of mean luminous flux	LIGHT CALCULATION	EULUM-Datei see www.ado-lights.com
COLOUR TEMPERATURE	White Kelvin: 3,000/4,000		
CRI	CRI > 90		
CONTROL INTERFACE	With ballast, not dimmable		



Subject to technical changes - Issued 12/2019