

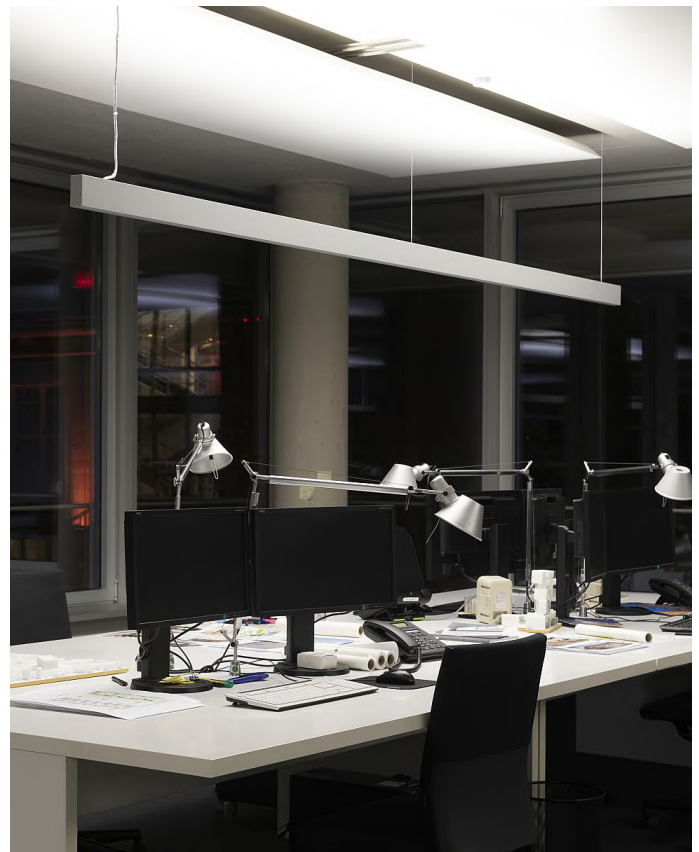
LED-LINARGO

Pendant/Recessed/Surface mounted
Luminaire



PICTURES PENDANT LUMINAIRE

direct/indirect separately switch- and dimmable



©Pictures: TTC Trimmer Technology/Photographer: Peter von Pigage

LED-LINARGO

Pendant/Recessed/Surface mounted
Luminaire



BASE INFORMATION



Linargo | Simplistic Luminaire

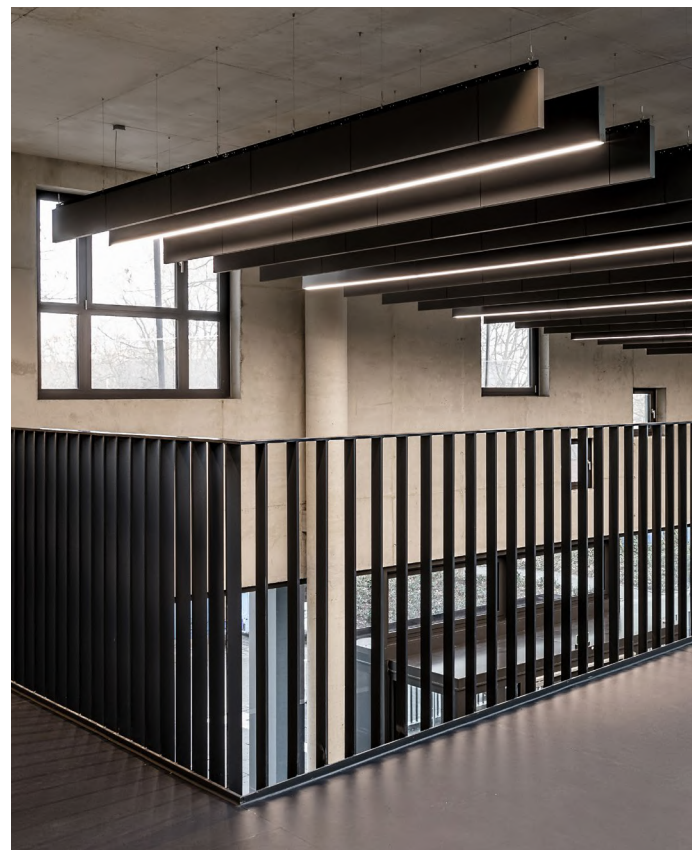
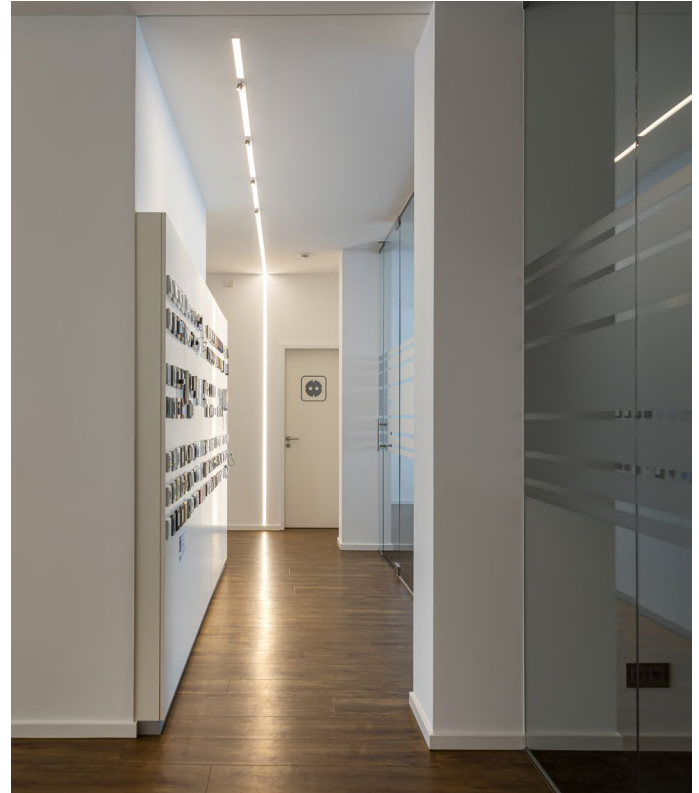
A very simplistic design mated with the exact level of brightness. LED Linargo is available as a recessed luminaire, which thanks to its modular design can be strung together to form a continuous light band, and also as a pendant luminaire. Ideal for corridors, offices or above counter tops.

Features

- For hotels, offices, showrooms, laboratories and production sites
- Suitable for emergency lighting systems acc. to EN50172
- Narrow light colour tolerances
- Glare suppression by satinised PMMA sheet
- Perfect homogeneous light spread, even if several LED modules are strung together
- Clamps for quick and easy wiring from one LED module to the next
- On/Off or dimmable [DALI] – direct/indirect seperately switch- and dimmable
- Suitable for office workstations with 500 lux on workplace according to DIN

Additional Variantions

- Can be combined with acoustic baffels [on the bottom right image], see Linargo BL-X
- Can be combined with LED-Luc minispots [in the upper right image and page 5]



LED-LINARGO

Pendant/Recessed/Surface mounted
Luminaire



PICTURES RECESSED LUMINAIRE



© Pictures: TTC Timmler Technology/Photographer: Peter von Pigage

LED-LINARGO

Pendant/Recessed/Surface mounted
Luminaire



GENERAL TECHNICAL SPECIFICATIONS



DIMENSIONS [L X W X H]	Standard 1,690 x 38 x 80 mm other standard lengths: 570/1,130/2,250/2,810/3,370 mm	IP RATING	IP40 optional IP54 for outdoor
POWER CONSUMPTION	51 W [at 1,690 mm length]	LUMINAIRE HOUSING	Aluminium anodised, black anodised or RAL powder-coated PMMA sheet, satinised
LUMINOUS FLUX	Module efficiency up to 143 lm/W Luminous flux 6,910 lm Nominal luminous flux 7,293 lm	MOUNTING	Stainless steel cable and translucent supply line [Pendant]; Spring clips [Recessed]
LIGHT BEAM ANGLE	120°	CONVERTER	Operating voltage 220–240 AC Overload protection Overtemperature protection Short-circuit protection Dimming adjustable for DC-mode Suitable for emergency lighting systems according to EN50172
SERVICE LIFE	LED + EVG 50,000 hours at 70% of mean luminous flux	OPTIONS	Pendant luminaire: direct/indirect separately switchable Emergency light function UGR < 19
COLOUR TEMPERATURE	White 3,000/4,000 Kelvin	WEIGHT	3.2 kg
CRI	CRI > 85 Narrow colour tolerance MacAdam Step 3	LIGHT CALCULATION	EULUM data see www.ado-lights.com
NORM/PERFORMANCE	UGR < 19 L65 < 1,500 cd/m ² according to EN 12464-1:2011		
CONTROL INTERFACE	DALI DEVICE Type 6, DSI, switch DIM with memory function, corridorFUNCTION		



Subject to technical changes · Issued 01/2020

LED-LINARGO

Pendant/Recessed/Surface mounted
Luminaire



PICTURES SURFACE MOUNTED LUMINAIRE



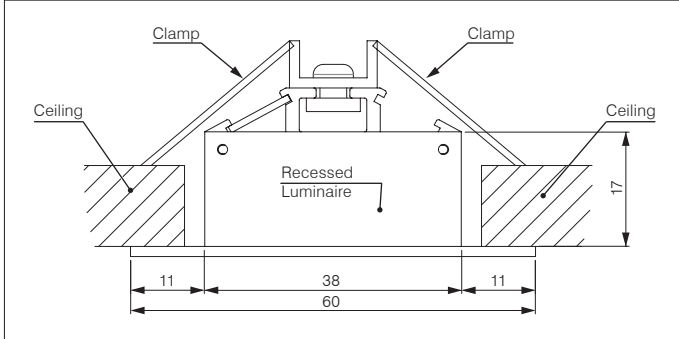
©Pictures: TTC Timmler Technology/Photographer: Peter von Pigage

LED-LINARGO

Pendant/Recessed/Surface mounted
Luminaire

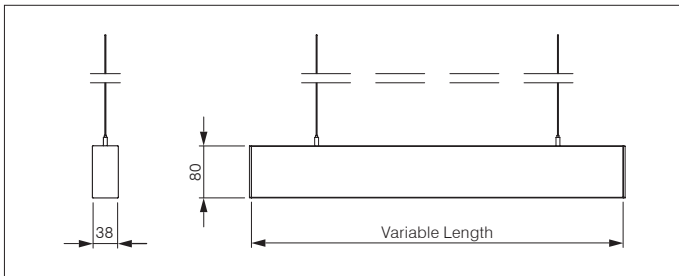


TECHNICAL DRAWINGS



STANDARD

Length [mm]	Weight [kg]	Power consumption [W]	Luminous flux [lm]	Nominal luminous flux [lm]
570	1.1	17	2,220	2,362
1,130	2.1	34	4,450	4,725
1,690	3.2	51	6,910	7,293
2,250	4.3	68	8,900	9,451
2,810	5.3	85	11,130	11,814
3,370	6.4	102	13,360	14,177



UGR < 19

Length [mm]	Weight [kg]	Power consumption [W]	Luminous flux [lm]	Nominal luminous flux [lm]
570	1.1	7	626	1,120
1,130	2.1	14	1,307	2,183
1,690	3.2	21	1,961	3,274
2,250	4.3	28	2,615	4,366
2,810	5.3	35	3,269	5,458
3,370	6.4	42	3,360	6,550

Subject to technical changes - issued 01/2020

