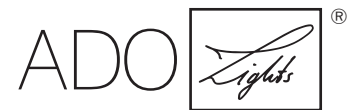


SPOTLIGHTS

LED-Pluto

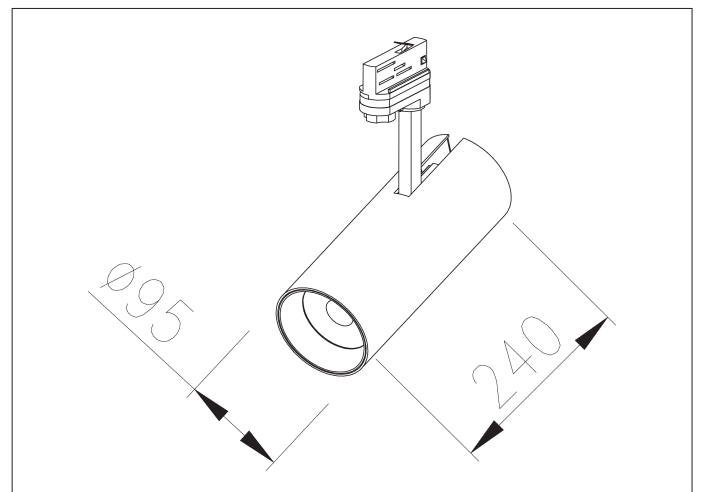
for 3-phase track



BASE INFO, PICTURES AND TECHNICAL DRAWINGS



DIMENSIONS	Luminaire housing: 95 x 240 mm [ø x H] Adapter: 70 x 35 x 42 mm [L x W x H]	IP RATING	IP20
POWER CONSUMPTION	Max. 30 W	LUMINAIRE HOUSING	Aluminium powder-coated white, black or grey
LUMINOUS FLUX	Max. 4,000 lm	CONVERTER	Overload protection Overtemperature protection Short-circuit protection
LIGHT BEAM ANGLE	15°/24°/36°	OPTIONS	Track Phase alignment DALI Colour temp. Food premium white or red Colour temp. Food warm white Colour temp. Food fresh white
SERVICE LIFE	LED 50,000 hours at 70% of mean luminous flux	LIGHT CALCULATION	EULUM-Datei see www.ado-lights.com
COLOUR TEMPERATURE	White Kelvin: 2,700/3,000/3,500/4,000/5,000/5,700		
CRI	CRI > 90		
CONTROL INTERFACE	With ballast, not dimmable		



Subject to technical changes - Issued 08/2018