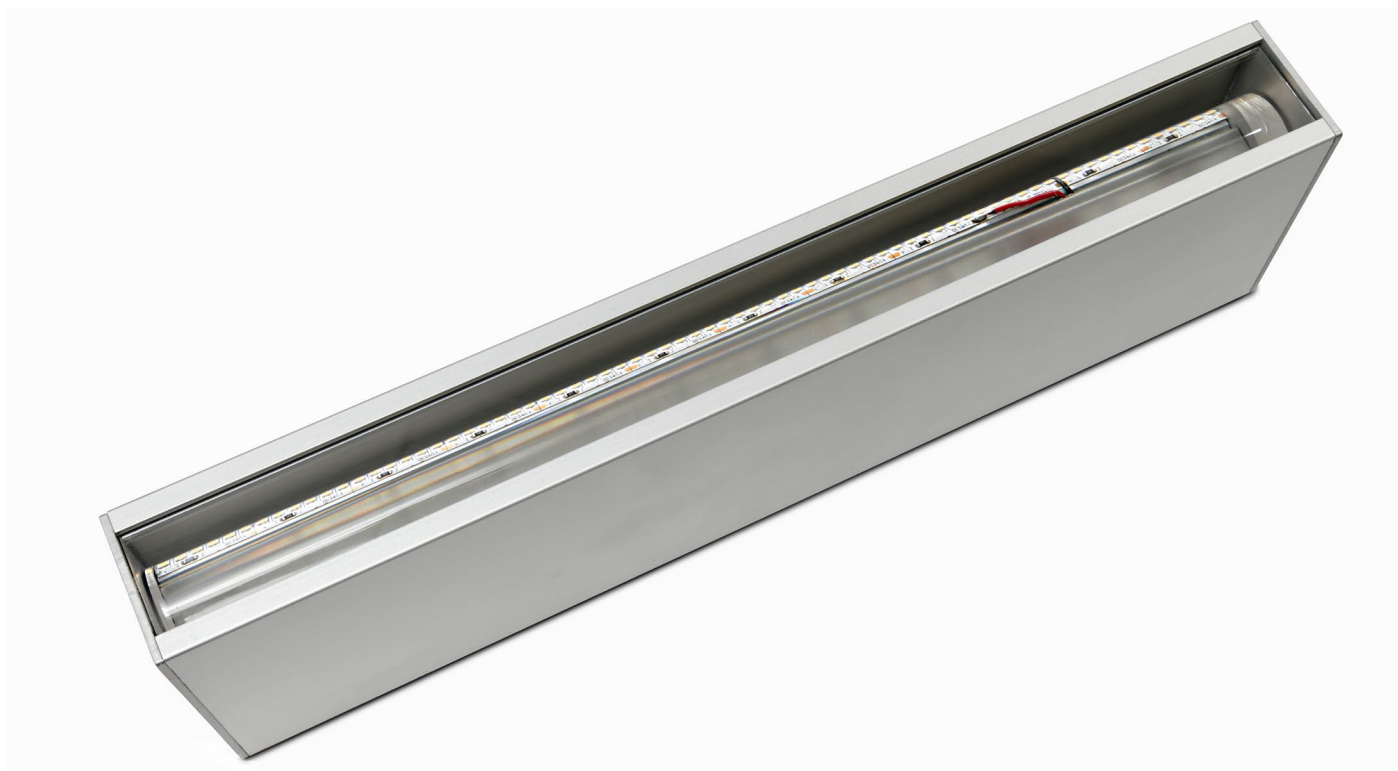


LED-HL-10 AL

Surface Mounted Luminaire
Aluminium



PICTURES



LED-HL-10 AL

Surface Mounted Luminaire

Aluminium



BASE INFORMATION, GENERAL TECHNICAL SPECIFICATION
AND TECHNICAL DRAWINGS

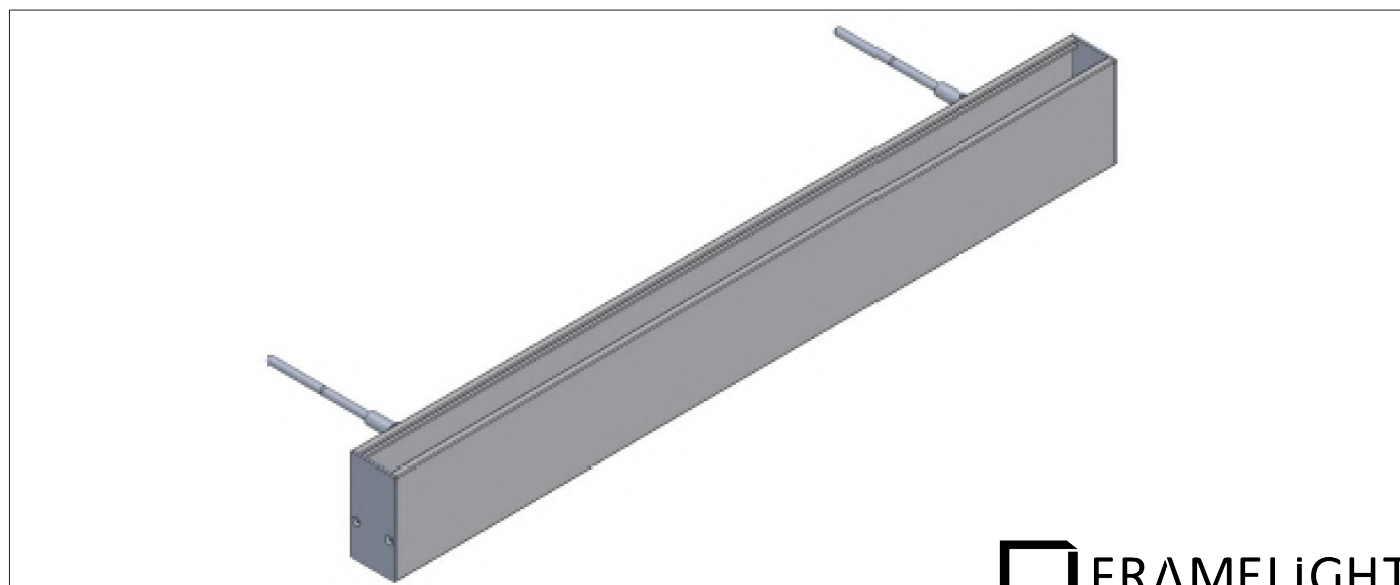
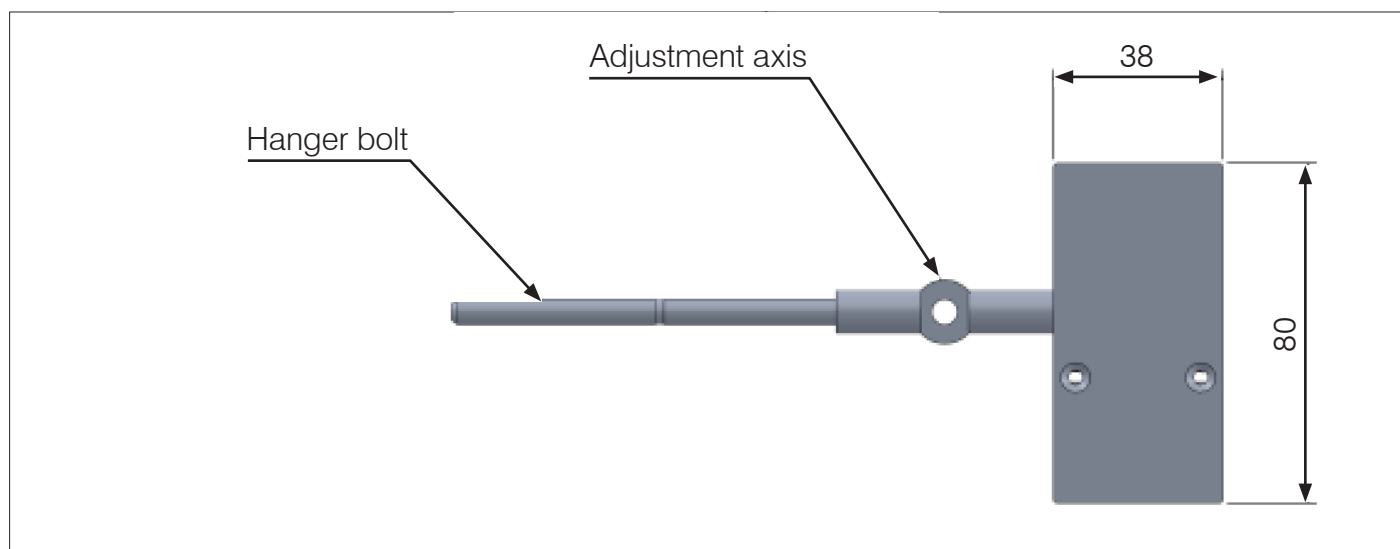


LED-HL-10 AL | Façade in the focus

This LED surface mounted luminaire generates an effect. It can be used to immerse façades in light. Dark exterior areas become a thing of the past. The LED surface mounted luminaire is well-designed, apparent like an object and achieves a maximum effect as a wall-washer for façade illumination.

Features

- For private residences, mansions, parcs, gardens, churches, castles and historical buildings
- Housing in aluminium for exterior use
- Suitable for emergency lighting systems according to EN50172
- Narrow light colour tolerances
- Narrow light beam angle for targeted illumination



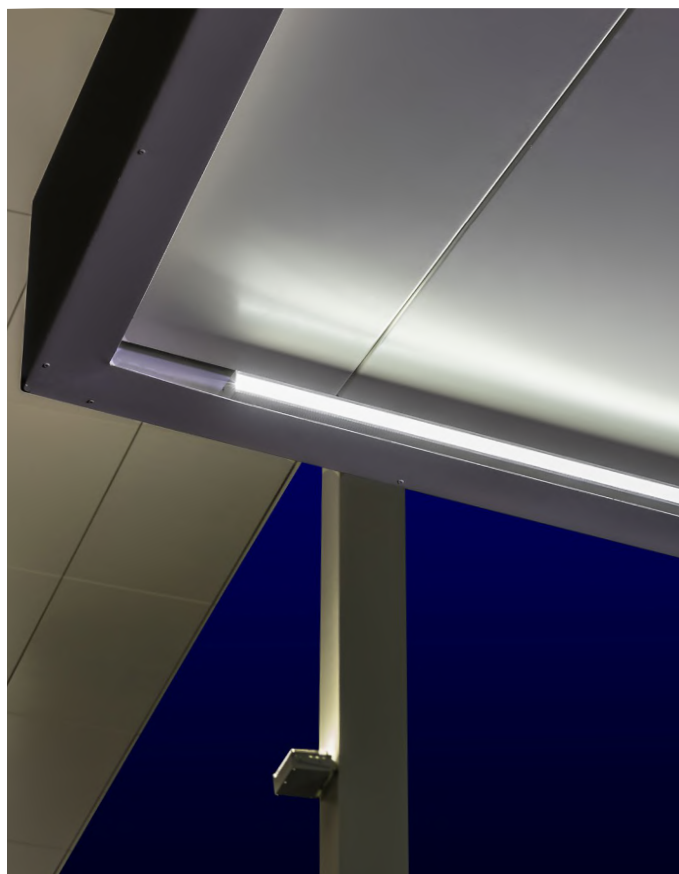
Subject to technical changes · Issued 07/2020

LED-HL-10 AL

Surface Mounted Luminaire
Aluminium



PICTURES



LED-HL-10 AL

Surface Mounted Luminaire

Aluminium

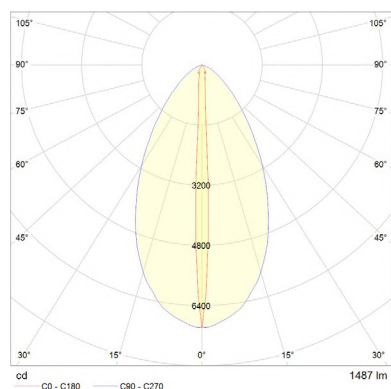


BASE INFORMATION, GENERAL TECHNICAL SPECIFICATION AND TECHNICAL DRAWINGS



<p>DIMENSIONS [L X W X H] STANDARD: 1,000/1,500 x 80 x 120 mm Special sizes upon request</p> <p>POWER CONSUMPTION See diagram</p> <p>LUMINOUS FLUX Module efficiency 98 lm/W [at 4,000K] See diagram</p> <p>OPERATING VOLTAGE 24 V DC</p> <p>LIGHT BEAM ANGLE 10° inclination angle Ex factory configurable</p> <p>SERVICE LIFE LED + EVG 50,000 hours at 70% of mean luminous flux</p> <p>COLOUR TEMPERATURE White 3,000/4,000 Kelvin, optional RGB</p> <p>CRI CRI > 85 Narrow colour tolerance MacAdam Step 3</p>	<p>CONTROL INTERFACE Depending on ballast compatible to each interface as DMX 512, DALI, 1–10V etc.</p> <p>IP RATING IP54/IP65</p> <p>LUMINAIRE HOUSING Aluminium anodised, black anodised or powder-coated according to RAL ESG security glass</p> <p>MOUNTING Wall/ceiling mounts with incline adjustment</p> <p>CONVERTER Overload protection Overtemperature protection Short-circuit protection Dimming adjustable in DC-mode Suitable for emergency lighting systems according to EN50172</p> <p>WEIGHT 3.2 kg [at 1,000 mm length]</p> <p>LIGHT CALCULATION EULUM data see www.ado-lights.com</p>
--	---

LIGHT SPREAD



STANDARD

Length [mm]	Power consumption [W]	Luminous flux [lm]	Mean luminous flux [lm]	Weight [kg]
1,000	20	1,480	1,960	3.2
1,500	30	2,100	2,940	4.7

Subject to technical changes · Issued 07/2020