

# SPOTLIGHTS

## LED-Eris

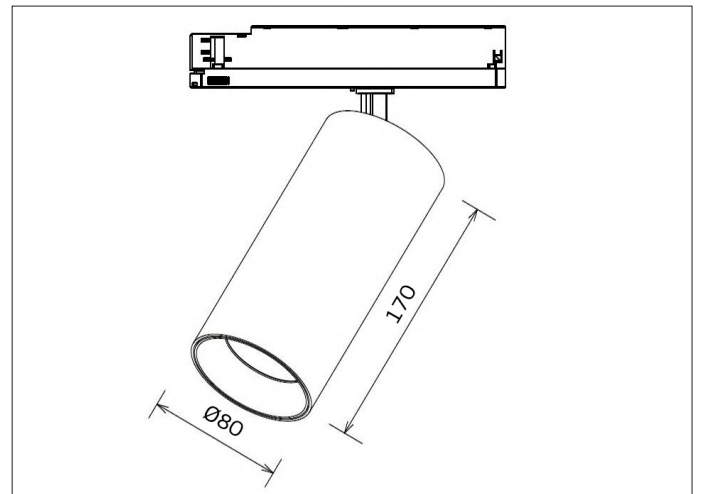
### for 3-phase track



BASE INFO, PICTURES AND TECHNICAL DRAWINGS



<b>DIMENSIONS</b>	Luminaire housing: 80 x 170 mm [ø x H]	<b>IP RATING</b>	IP20
<b>POWER CONSUMPTION</b>	Max. 27 W	<b>LUMINAIRE HOUSING</b>	Aluminium powder-coated white, black or grey
<b>LUMINOUS FLUX</b>	Max. 3,000 lm	<b>CONVERTER</b>	Overload protection Overtemperature protection Short-circuit protection
<b>LIGHT BEAM ANGLE</b>	15°/24°/36°	<b>OPTIONS</b>	Phase alignment DALI 1–10 V
<b>SERVICE LIFE</b>	LED 50,000 hours at 70% of mean luminous flux	<b>LIGHT CALCULATION</b>	EULUM-Datei see <a href="http://www.ado-lights.com">www.ado-lights.com</a>
<b>COLOUR TEMPERATURE</b>	White   Kelvin: 3,000/4,000		
<b>CRI</b>	CRI > 80   optional: CRI > 90		
<b>CONTROL INTERFACE</b>	With ballast, not dimmable		



Subject to technical changes - Issued 12/2019