

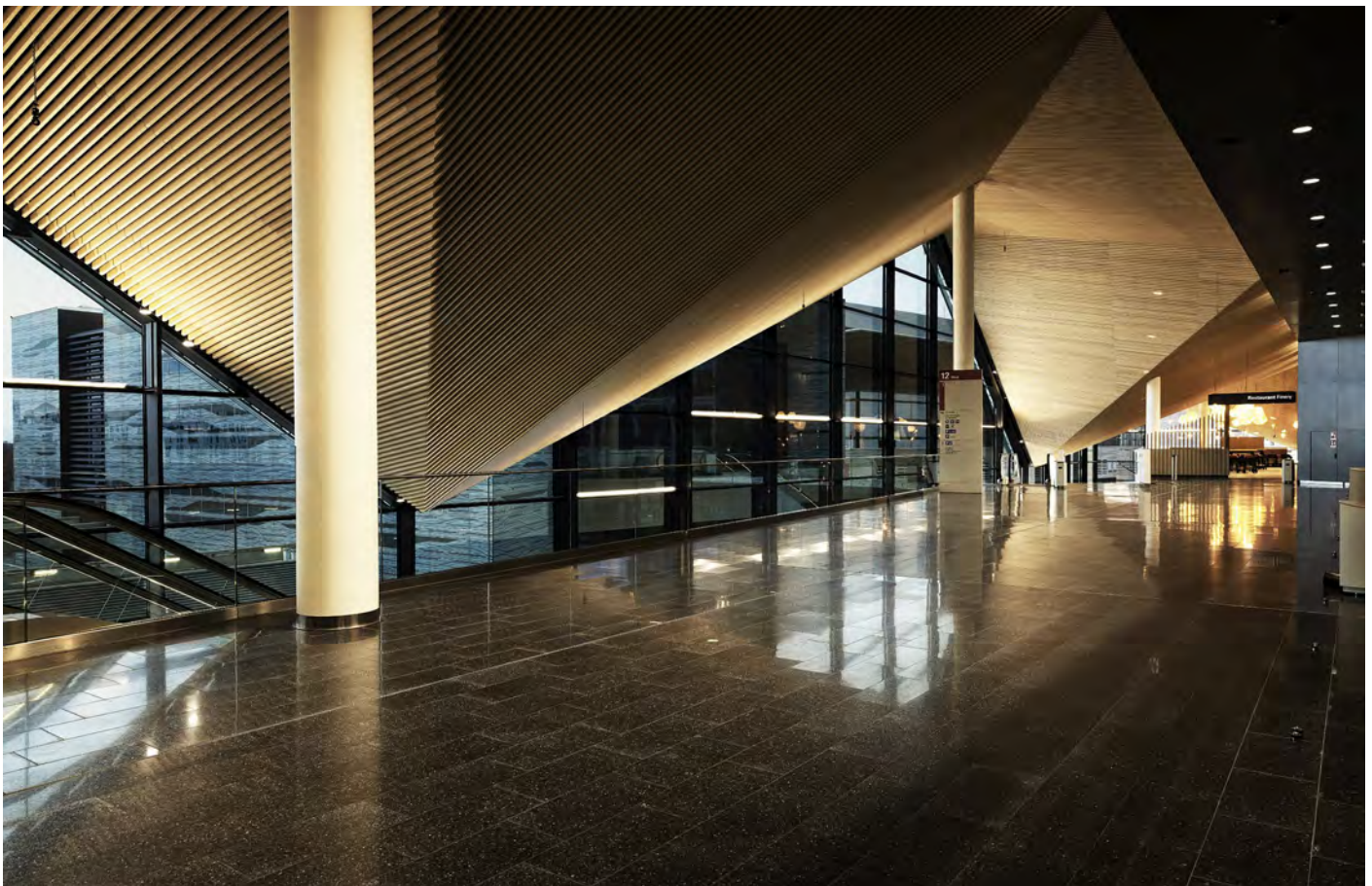
LED-FAME12

Surface-mounted/Recessed Luminaire

indirect



PICTURES



LED-FAME12

Surface-mounted/Recessed Luminaire

indirect

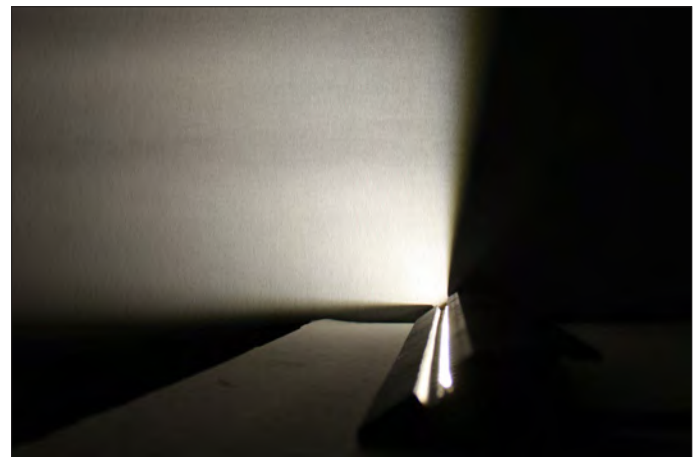
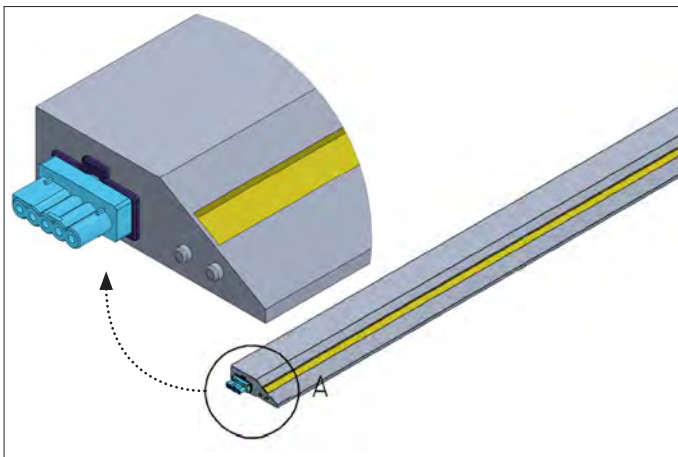
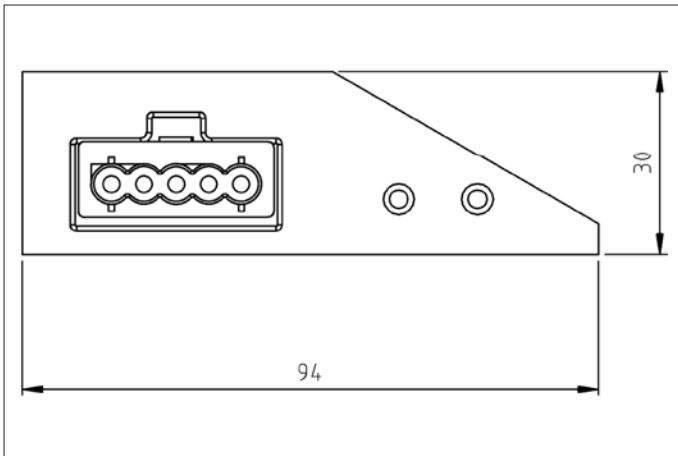


GENERAL TECHNICAL SPECIFICATIONS AND TECHNICAL DRAWINGS



DIMENSION [W X H]	Luminaire housing 94 x 30 mm Variable length 612/1,212/1,812/2,412/ 3,012/3,612/4,212/4,812 mm Special lengths upon request
POWER CONSUMPTION	Max. 80 W/m according to factory preset
LUMINOUS FLUX	Approx. 118 lm/W 840 or 830
LIGHT BEAM ANGLE	asymmetric
SERVICE LIFE	LED + EVG 50,000 hours at 70% of mean luminous flux
COLOUR TEMPERATURE	White 3,000/4,000 Kelvin
CRI	CRI > 85

INTERFACE	DALI
IP RATING	IP40, optional IP54
LUMINAIRE HOUSING	Aluminium RAL powder-coated Cover clear PMMA
CONVERTER	Overload protection Overtemperature protection Short-circuit protection Tridonic LCA 75W or LCA 100W units + type accord. to luminaire length
PLUG CONNECTION	Wieland N, PE, L(1), DA(2), DA(3)
OPTIONAL	Emergency light functin
WEIGHT	3.2 kg/m



Subject to technical changes · Issued 12/2018