

# DOWNLIGHTS

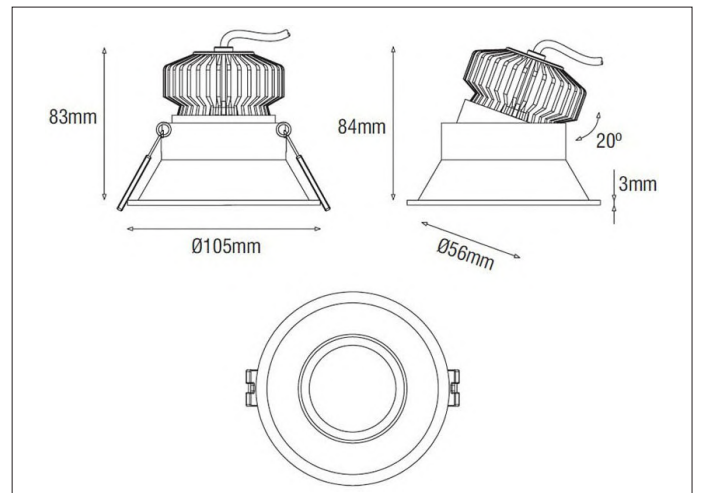
## LED-Moonlight

BASE INFO, PICTURES AND TECHNICAL DRAWINGS



<b>DIMENSIONS [Ø X H]</b>	Luminaire housing: 105 x 83 mm
<b>POWER CONSUMPTION</b>	9 W
<b>LUMINOUS FLUX</b>	676 lm   703 lm   880 lm
<b>LIGHT BEAM ANGLE</b>	24°/30°/38°   tilt angle 20°
<b>SERVICE LIFE</b>	LED 50,000 hours at 70% of mean luminous flux
<b>COLOUR TEMPERATURE</b>	White   2,700/3,000/4,000 Kelvin
<b>CRI</b>	CRI > 90 [CRI > 80]
<b>CONTROL INTERFACE</b>	With ballast, not dimmable

<b>IP RATING</b>	IP43
<b>LUMINAIRE HOUSING</b>	Aluminium white powder-coated or black powder-coated
<b>CONVERTER</b>	Overload protection Overtemperature protection Short-circuit protection
<b>OPTIONS</b>	»Dim to Warm«-LED with 6 W, 600 lm, 2,000–2,800 Kelvin Dimmable ballast 1–10 V DALI Connection cable
<b>LIGHT CALCULATION</b>	EULUM data see <a href="http://www.ado-lights.com">www.ado-lights.com</a>



Subject to technical changes · Issued 07/2018