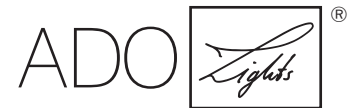


DOWNLIGHTS

LED-Globe

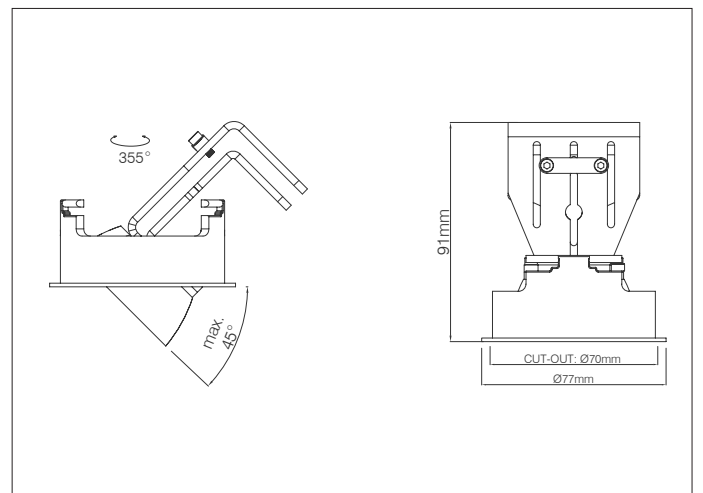
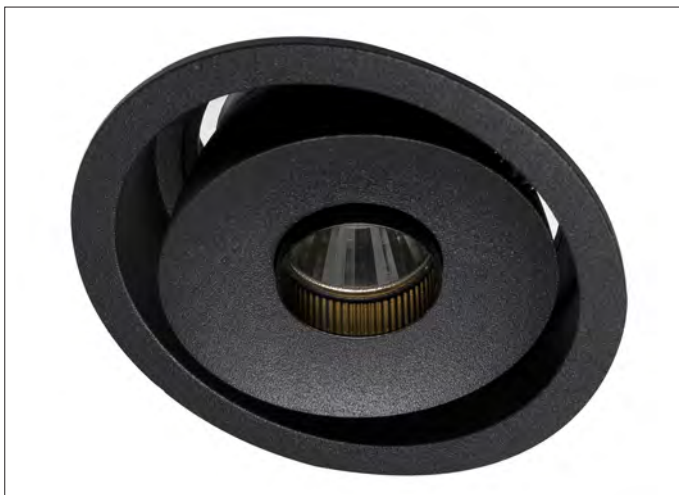


BASE INFO, PICTURES AND TECHNICAL DRAWINGS



DIMENSIONS [Ø X H]	Luminaire housing: 77 x 91 mm Cut-out: 70 mm
POWER CONSUMPTION	9 W
LUMINOUS FLUX	676 lm 703 lm 880 lm
LIGHT BEAM ANGLE	42° tilt angle 45° rotatable 355°
SERVICE LIFE	LED 50,000 hours at 70% of mean luminous flux
COLOUR TEMPERATURE	White 2,700/3,000/4,000 Kelvin
CRI	CRI > 90 [CRI > 80]
CONTROL INTERFACE	With ballast, not dimmable

IP RATING	IP44
LUMINAIRE HOUSING	Aluminium white powder-coated or black powder-coated
CONVERTER	Overload protection Overtemperature protection Short-circuit protection
OPTIONS	»Dim to Warm«-LED with 6 W, 600 lm, 2,000–2,800 Kelvin Dimmable ballast 1–10 V DALI Connection cable
LIGHT CALCULATION	EULUM data see www.ado-lights.com



Subject to technical changes - Issued 07/2018