



Lexus RX330 (2003-2006)  
 Lexus RX350 (2007-2008)  
 Lexus RX400 (2006-2009)  
 PART NUMBER: MV-50-03-L



**PLEASE READ COMPLETE INSTRUCTIONS BEFORE INSTALLING THIS Pro.Fit Legend.**

All instructions assume a drivers seat vantage point. Caution is advised when removing and reassembling wood or plastic parts of a dash. Applying unnecessary force or pressure may cause a piece to crack or break.

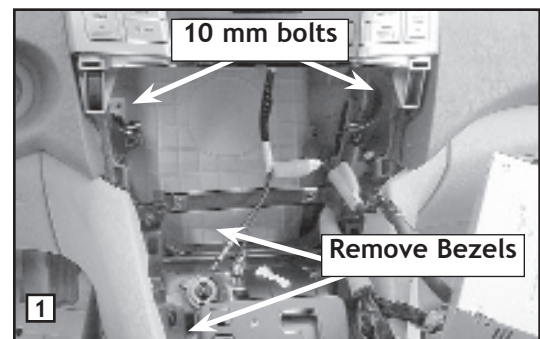
**TOOLS REQUIRED:** #2 Phillips screwdriver, drill and 5/64" bit, Dash trim removal tool (DM-40-22),

**PARTS INCLUDED:** 10mm nut driver, marking pen

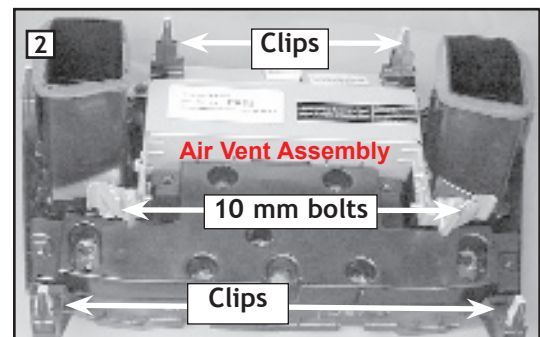
Pro.Fit Legend, instructions, two (2) # 8 x 1/2" screws.

**LOCATION:** Right of climate control

**STEP 1.** Insert a dash trim removal tool under the bezel that surrounds the gear shift. Pry upward to release a retainer clip. Work the tool around the bezel until all four (4) clips are loose. Lift bezel over gear shift and set aside. Remove the trim panel directly below the radio by pulling outward, releasing a clip on each side. (Photo # 1).

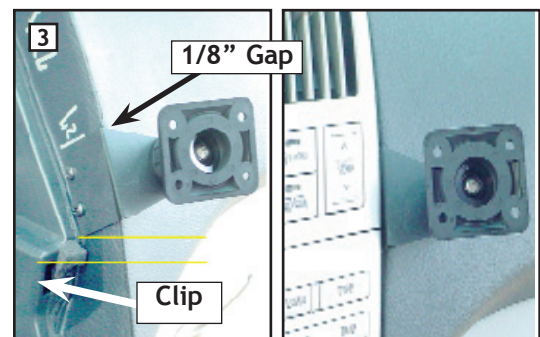


**STEP 2.** Remove a 10mm bolt from the lower left and right corners of the radio. Remove two (2) 10 mm bolts from the bottom side of the radio. They are approximately two inches (2") up from the bottom edge of the radio. Pull the radio out of its cavity and let it hang down. Do not disconnect the radio.



**STEP 3.** Remove two (2) 10mm bolts from the bottom of the air vent assembly. (Photo # 1 & # 2). Insert a dash trim removal tool behind the upper-right corner of the air vent assembly bezel and pry outward, releasing a retainer clip. Work the tool around the bezel until all four (4) clips are released. (Photo # 2).

**STEP 4.** Place the LEGEND against the dash pad, right of the air vent. (Photo # 3). The bottom of the LEGEND should be 1/4" above the air vent clip hole and 1/8" away from the dash pad. Using the LEGEND as a guide, mark the location of the top and bottom holes. Drill two (2) pilot holes at the marked location using a 5/64" drill bit and drill. Align the LEGEND over the pilot holes, insert two (2) # 8 x 1/2" screws and tighten. Reassemble the dash in reverse order.



**STEP 5.** Re-assemble the dash in reverse order. This completes the installation of your Legend.

Pro.Fit International, Inc.® may not be held liable for any damage to a vehicle before, during or after the installation or removal of this Pro.Fit Legend®. Pro.Fit may not be held liable for any personal injury resulting from accident or improper installation.

Pro.Fit International, Inc.® 314 West 867th Street Bloomington, MN 55420, Ph: 952.641.4700 or 800.388.0073 Fx: 952.641.4701

