

SOFA BED  
USER MANUAL

NOUHAUS  
ERGONOMIC  
SOFA BED  
USER MANUAL

Module



**H.Q**

NOUHAUS Inc.  
10985 Oleander Ave. Fontana, CA 92337

**Customer  
Service Center**

10985 Oleander Avenue Fontana, CA 92337  
support@nouhaus.com  
+1 (888) 387-5949

**Subscribe**

**W** nouhaus.com

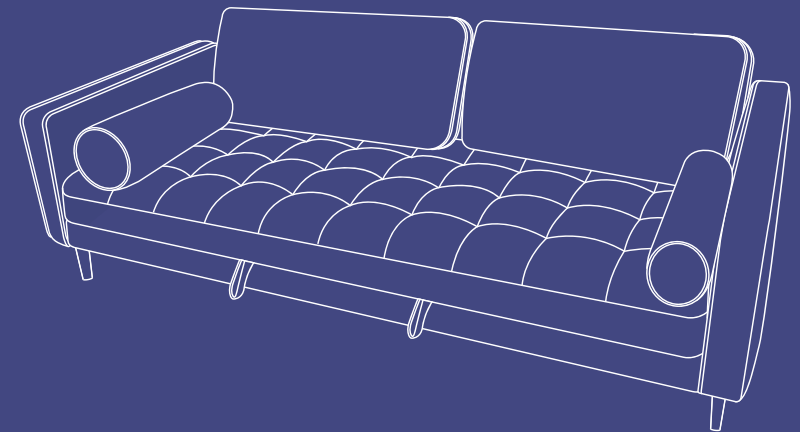
**▶** Nouhaus

**@** nouhaus

**f** @nouhaus\_official

**P** Nouhaus

**🐦** @nouhaus



**NOUHAUS**<sup>®</sup>

# NOUHAUS ERGONOMIC SOFA BED USER MANUAL



Thank you for purchasing the NOUHAUS Module Sofa Bed.  
Please read this manual carefully before using.  
Retain this manual for your reference.

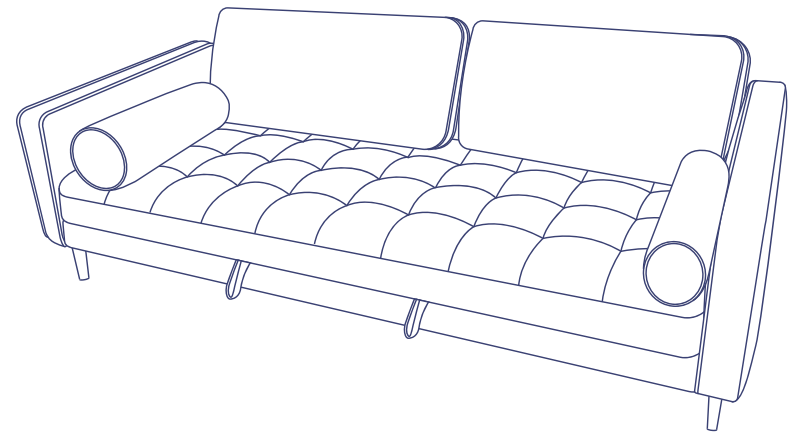
This user manual contains the product warranty information.  
This design and/or specification of this product is subject to change without notice.



Module

## CONTENTS

<b>01</b>	Instructions on Safe Use	Pg 04
<b>02</b>	Assembly Parts	Pg 05
<b>03</b>	How to Assemble	Pg 06
<b>04</b>	Product Specifications and Information	Pg 11
<b>05</b>	Customer Service Information	Pg 12
<b>06</b>	Product Warranty	Pg 14



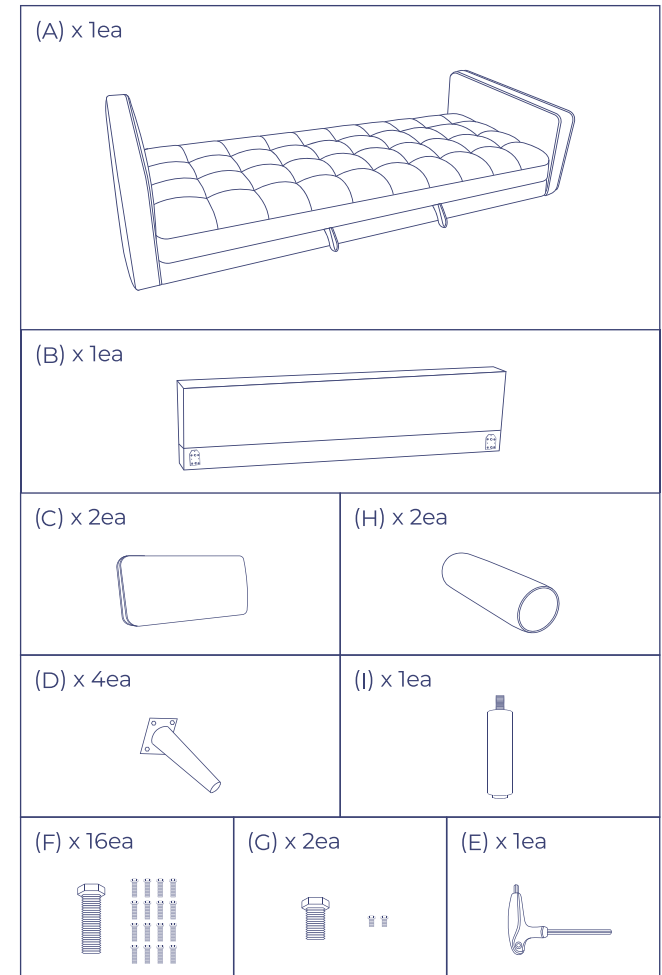
Module

**PLEASE READ**

1. Do not discard any of the packaging until you are certain that you have all the necessary parts for the assembly.
2. Please ensure that the packaging is disposed of in a safe and environmentally responsible way.
3. During assembly, tighten screws by hand only.  
Once all screws are in place, you may tighten all screws completely.

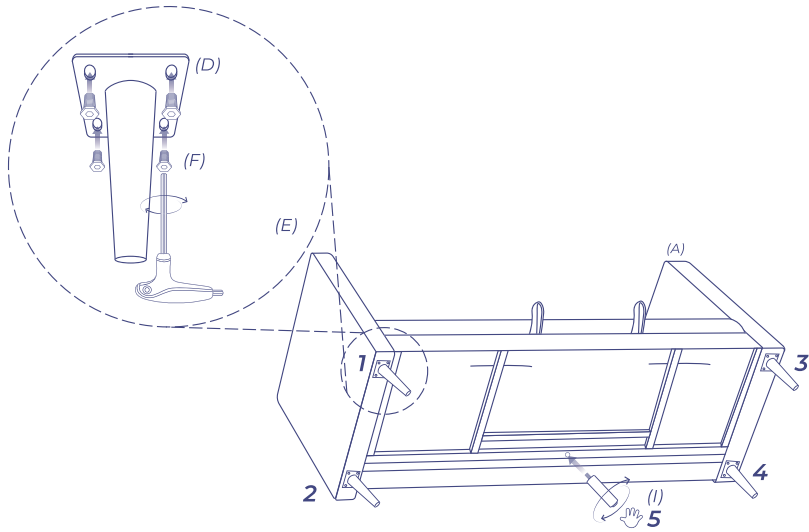
**CAUTION**

1. NEVER use this ottoman as a step ladder.
2. Check that screws have not become loosened every 6 months.  
Retighten if necessary.

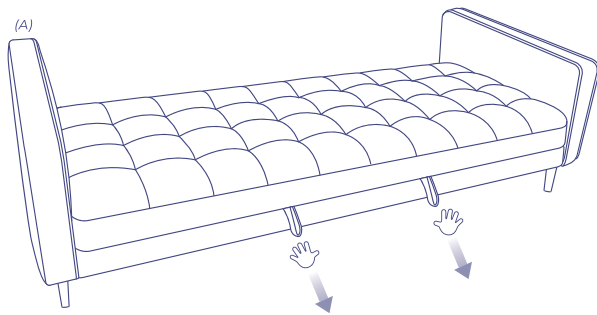


MAKE a SOFA!

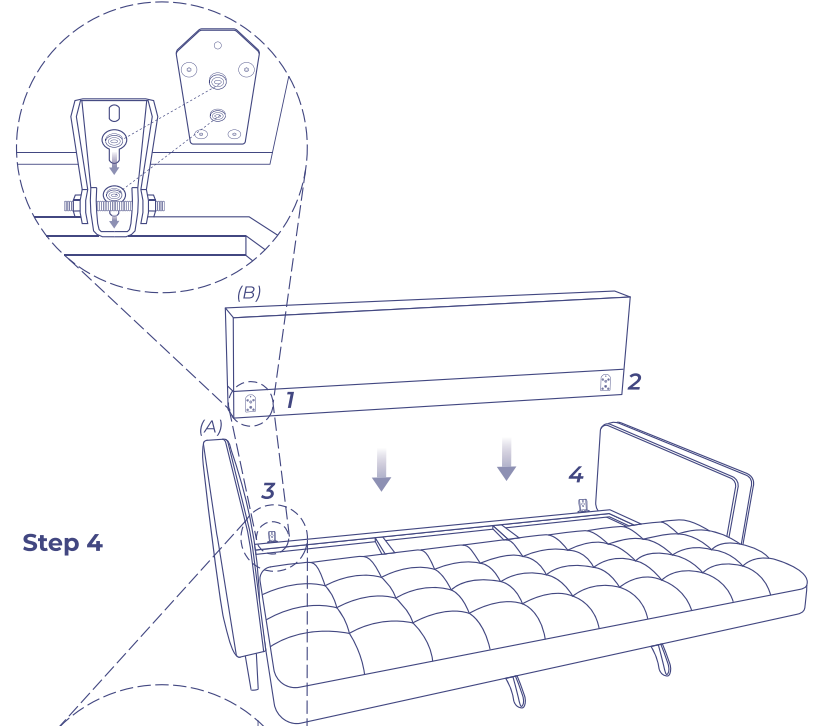
Step 1



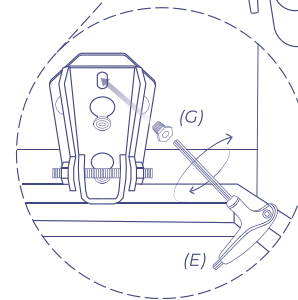
Step 2



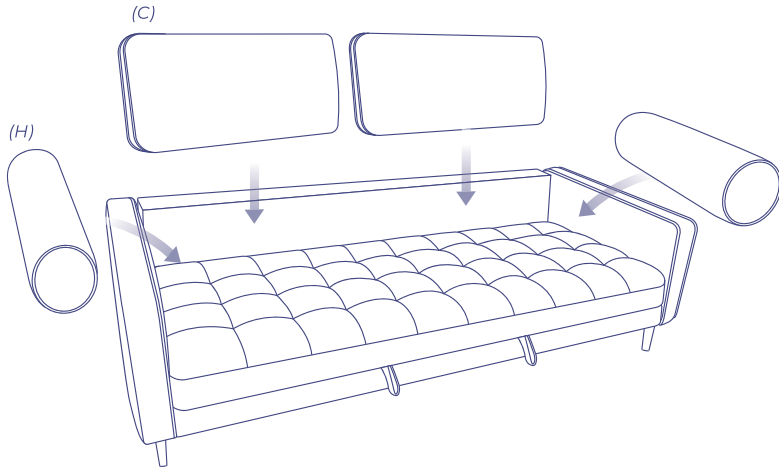
Step 3



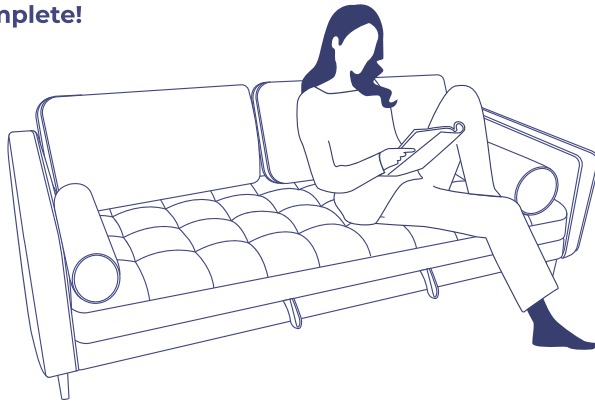
Step 4



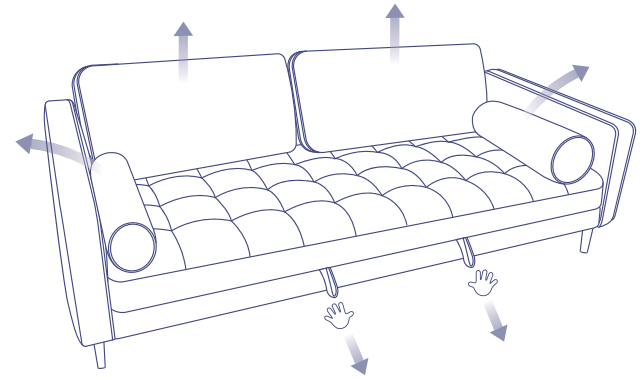
**Step 5**



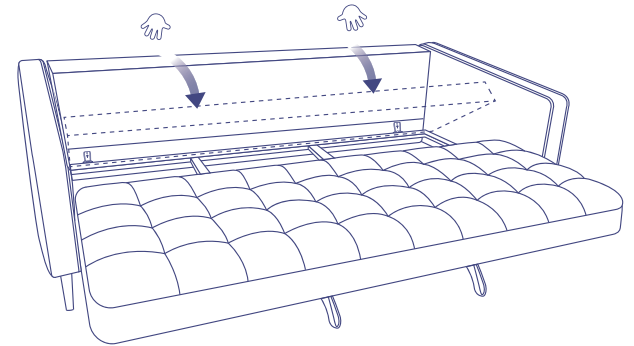
**SOFA Complete!**

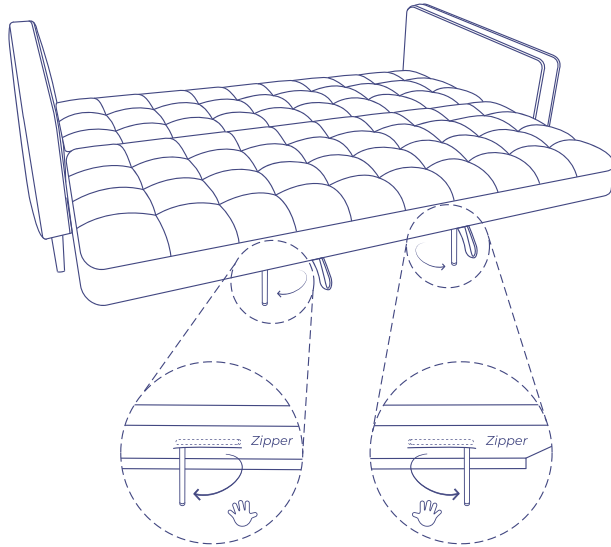
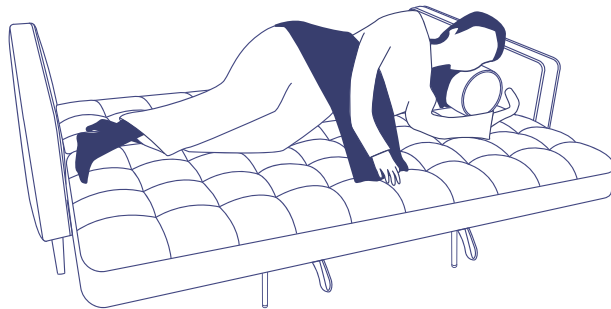


**MAKE a BED!**  
**Step 1**



**Step 2**



**Step 3****BED Complete!**

Product Name	Nouhaus Module Sofa Bed
Model Number	NHS-0001 Module
Sofa Dimensions	L85.8 x W37.01 x H34.3 in
Bed Dimensions	L75.59 x W53.14 in / Full (Double)
Net Weight	153.66 lbs
Gross Weight	189.59 lbs
Weight Capacity	600 lbs (200 lbs for each seat)
Customer Service	support@nouhaus.com 10985 Oleander Ave. Fontana, CA 92337 +1(888)387-5949

NOUHAUS sofas are warranted for a period of ONE year against

1. Missing parts from the Product at the time of delivery;
2. Defects in the manufacturing of materials used for the Product at the time of delivery;
3. Failure of the Product to correspond with the description in the applicable contract of sale at the time of delivery; and
4. Major defects in the functional department, such as:
  - Skeletal steel frame failure
  - Failed Stitching
  - Faulty joints and springs
  - Seam separation
  - Mechanism failure
  - Defective construction
  - Electronic components

**Subject to the following:**

Any replacement parts shall be sent to the address of the original purchaser, replaced parts may be recollected by NOUHAUS to be disposed; to benefit under this warranty, NOUHAUS must be notified of any defect within 14 days of the occurrence of such defect via an image or video of the relevant defect sent electronically to support@nouhaus.com, and after inspection and acceptance by NOUHAUS; to the extent permitted under the applicable Federal and State law of the United States of America, all parts replaced or repaired under this warranty shall be warranted for the remainder of the designated Warranty Period.

**What Our Warranty Does Not Cover**

All warranties listed on this page exclude the following where permitted under the applicable Federal and State law of the United States of America:

1. Excludes normal wear and tear of surfaces that are not attributable to manufacturing, including but not limited to
  - (a) changes in surface finishes due to aging or exposure to light,
  - (b) normal wear and tear (including but not limited to, everyday wear and tear of fabric on sofa cushions and upholstered panels,
  - (c) damage to the fabric from machine washing/drying,
  - (d) sharp objects or imprinting from writing instruments,
  - (e) variance of tightness of mechanisms,
  - (f) excludes damage from accidents, natural disasters, physical damage from pets, fire and flood, and non-manufacturing incidents covered under insurance policies (regardless of whether you are in possession of the relevant insurance),
  - (g) excludes any variations in dimensions and color;
2. Any claims for indirect, consequential or incidental losses;
3. Damage to a product that has been modified or altered without the written permission of NOUHAUS;
4. Damage caused to all NOUHAUS products during self-assembly due to failure to adhere to the relevant self-assembly manual instructions provided;
5. Minor misalignments, variations arising out of hand-made workmanship. To ensure your product enjoyment and safety, and protection under the "Warranty Period", please ensure you have NOUHAUS assembly manual for this product, and follow them for the correct assembly for your item. Contact our Customer Service Team to obtain these guidelines if you do not have them.





For warranty information, please visit the Warranty page at [www.nouhaus.com](http://www.nouhaus.com)

NOUHAUS, Inc.  
10985 Oleander Ave.  
Fontana, CA 92337

<b>Product Information</b>	Product Name	Model Number
	Manufacture Date	Manufacture Number
	Purchase Store	Purchase Store Contact
	Date of Purchase	Date of Installation
	Warranty Date	
<b>Customer Information</b>	Name	
	Contact	
	Address	