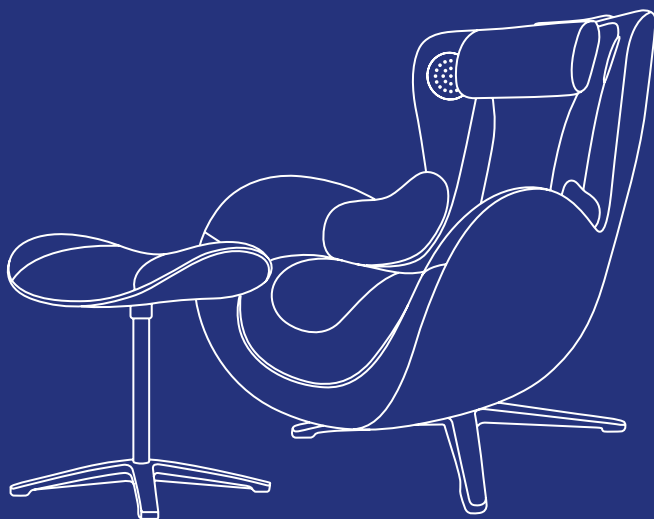


NOUHAUS LIFESTYLE MASSAGE CHAIR USER MANUAL

Classic
N-0003H



NOUHAUS



Thank you for purchasing NOUHAUS LIFESTYLE MASSAGE CHAIR.
Please read this manual carefully before using.
Retain this manual for your reference.

This User manual contains the product warranty information.
This product is intended for a home-use only. It is not intended for
commercial or industrial purposes. Do not use as such.
The design and/or specifications of this product are subject to change
without notice.

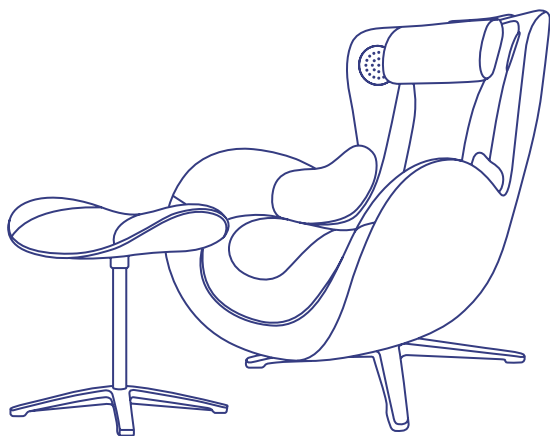
This product is intended to be used exclusively with 120V.
Please make sure to plug the power plug into a dedicated 120V outlet.
Using a 110V transceiver to 120V may be dangerous.
DO NOT USE in such a manner.

NOUHAUS
LIFESTYLE
MASSAGE CHAIR
USER MANUAL

Classic
N-0003H

CONTENTS

- 01 Safety Precautions
- 02 How to Assemble
- 03 Components
- 04 Bluetooth Connection Guide
- 05 Remote Control Button and Usage Method
- 06 Cleaning and Storage Method
- 07 Troubleshooting
- 08 FAQ
- 09 Specification
- 10 Customer Service Information
- 11 Product Warranty
- 12 FCC Warning



Classic
N-0003H

Please adhere closely to the following safety precautions to ensure that your product is used properly and safely.

During installation

Do not modify, disassemble or repair other than service provider.

→ *It may cause fire/electric shock.*

Use on a flat surface.

→ *It may cause failure or accident.*

Power-related

If it does not turn on or cause an error, immediately unplug the power connected to the outlet and request for after-service care.

→ *It may cause an electric shock, short circuit, or fire.*

Make sure the upholstery is not torn or stripped in appearance. The material may get caught in the massage mechanism which may result in a serious accident. If there is any damage, please contact the support center.

→ *It may cause electric shock or injury.*

Do not allow children to touch the power plug.

→ *There is a risk of electric shock or injury.*

Do not bend the power plug too hard or break it by pressing it against any heavy object.

→ *Risk of fire and electric shock.*

Do not use multiple devices simultaneously when using a multi outlet adapter.

→ *Risk of fire due to overheating of the outlet.*

When disconnecting the power plug, hold the plug and Do not pull from the wire.

→ *If the power cord becomes torn or damaged, there is a risk of fire and electric shock.*

Remove any contaminant, moisture, etc from the pins of the power plug.

→ *It may cause electric shock / fire.*

Do not touch the power plug with wet hands. Always disconnect the power plug when cleaning.

→ *There is a risk of electric shock.*

This product is intended to be used exclusively with 120V.

→ *Risk of fire due to the high heating of the outlet.*

Be sure to use a ground-type outlet when using the multi-tap.

→ *Use of non-grounded multitap-outlets can cause electric shock and injury.*

In the event of power failure, immediately turn off the power switch and unplug the power from the outlet.

→ It may cause accidents when the power is turned on again.

When in Usage

For safety reasons, persons with the following conditions or ailments should not use this product.

- People with thrombosis, embolism, severe venous, acute venous, etc.
- A person suspected of having whiplash.
- A person with symptoms of a sudden contraction of a spasm or muscle.
- A pregnant woman in the early stages of pregnancy or right after childbirth.
- A person with an abnormality in the spine or misaligned to the left or right due to accidents or diseases.
- People with acute appendicitis and severe heart failure.
- People who are using human implanted electronic medical devices such as implanted heartbeats.
- A person with seizures or a psychogenic disease.
- A person who has lost a sense of temperature due to a high degree of peripheral circulation from diabetes, etc.
- A person with an osteomyelitis.

-
- A Person who is not free of expression and movement of their body.
 - Someone with spine symptoms or under spine treatment.
 - A person who is being treated at a medical institution because of a special physical defect.

Persons with any of the following conditions should consult a physician before using this product.

- People who are concerned about side effects from the use of this product such as pregnant women.
- A person whose body temperature is higher than normal due to acute inflammation.
- People with skin disease, malignant tumors, and other symptoms of skin disease.
- Someone who needs stability because they are being treated by a doctor.
- Other people who feel an abnormality in their bodies.
- A person whose doctor forbade massage.
- A person or a person with weak muscles due to older age.
- A person with back pain.

Do not use or store in humid areas such as bathrooms.

→ *It may cause electric shock, fire, failure, and mold.*

Do not allow children to play or climb on the massage chair.

→ *There is a risk of falling or injury.*

Do not wear anything hard on your head, such as headgear.

→ *It may cause injury.*

Use time is 30 minutes per day, 15 minutes per usage, and only 5 minutes for continuous use in the same area.

→ *Long-term use can strain muscles or nerves.*

If you experience any of the following side effects while using the product, please stop using it :

- Posture damage, bruises, stab wounds, cuts from the product.
- Excessive usage of this product can cause damage to muscles and tendons, nerves, vertebrae, etc.
- Skin disease, burns, etc.
- Fractures, bone dislocation, abrasion, etc.
- Respiratory system failure and suffocation, etc.

When massaging your hips and thighs, take out all objects out of your pants pocket.

→ *There may be an accident or injury.*

During the massage operation, do not disconnect power from the outlet or turn the power switch on/off.

→ *It may cause an accident.*

Do not use it near fireplaces, or while smoking. Also, do not use it with heating appliances such as an electric pad.

→ *It may cause a fire.*

Do not use it after drinking alcohol.

→ *There may be an accident or injury.*

Do not allow more than one person to get on the product or use it at the same time.

→ *Cause of falling or injury.*

Do not use on bare skin.

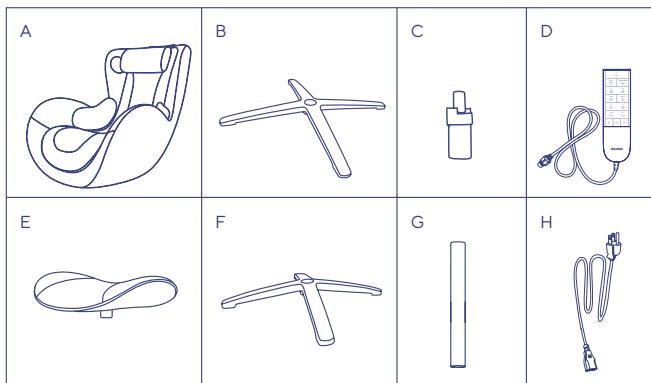
→ *When using the massage chair on bare skin, it can cause skin damage due to the heated seat and massage ball movements.*

Be careful not to trip over the remote control cable.

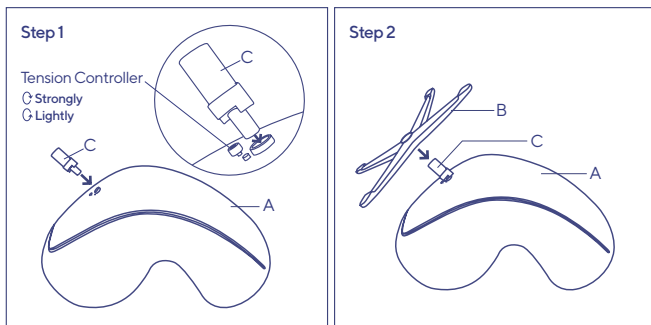
→ *There is a risk of injury.*

When cleaning the product, disconnect the power plug from the outlet.

→ *Causes electric shock or injury.*

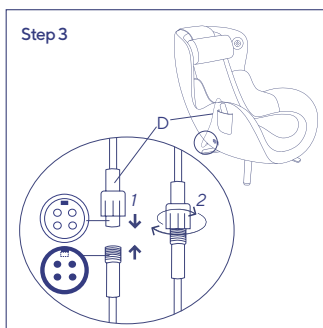


Remove all parts from the box. Check if there are any missing parts. Lay out the foam sheet found in the packaging on a flat surface.

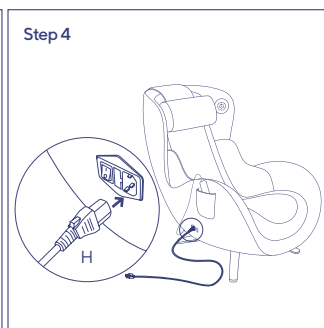


Place the chair (A) upside down on top of the foam. Insert the Central Connection Support (C) into the Connection Hole under the chair (A).

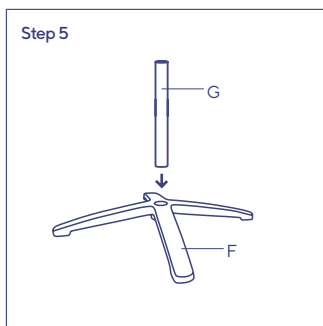
Insert the Four-Legged Support (B) onto the Central Connection Support (C).



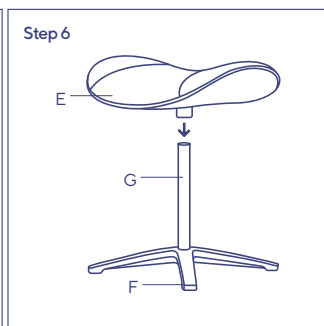
Carefully, stand the chair to the upright position. Align the small tooth on each end of the cable and attach the Remote Control (D) and hand tighten. Take care not to over tighten.



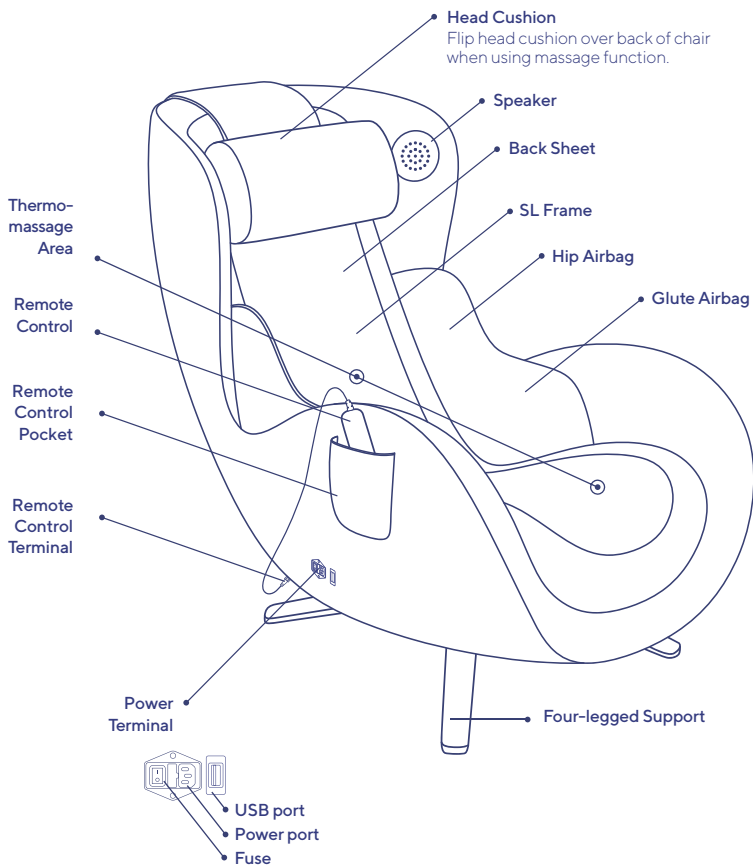
Insert the Power Cord (H) into the Power Terminal on the side of the chair. Turn switch to 'ON'



Insert the Support Pipe (G) into Ottoman Four-Legged Support (F).



Affix the Ottoman Seat (E) onto the Support Pipe (G). Press down on the Ottoman Seat (E) to secure in place.



*Additional components : Ottoman, Ottoman four-legged support, Ottoman rod, hexagonal range, fuse.

Pairing To Bluetooth Speakers

Only one device can be paired to the Nouhaus Classic at a time. To pair the Nouhaus Classic with a mobile device, refer to the Bluetooth pairing procedures in corresponding mobile phone or music player user manual and follow the steps below:

1. Turn on the Bluetooth mode on your device
2. Go to Bluetooth manager on your device
3. Select “Nouhaus” on your device. (ID:Nouhaus / PW: 0003).
4. Connection sound will play when pairing is successful

Reconnecting Your Device

If you move out of range, or turn off the Bluetooth on your device, the Nouhaus Classic will disconnect from your device.

To reconnect, repeat steps detailed above

Changing Connected Device

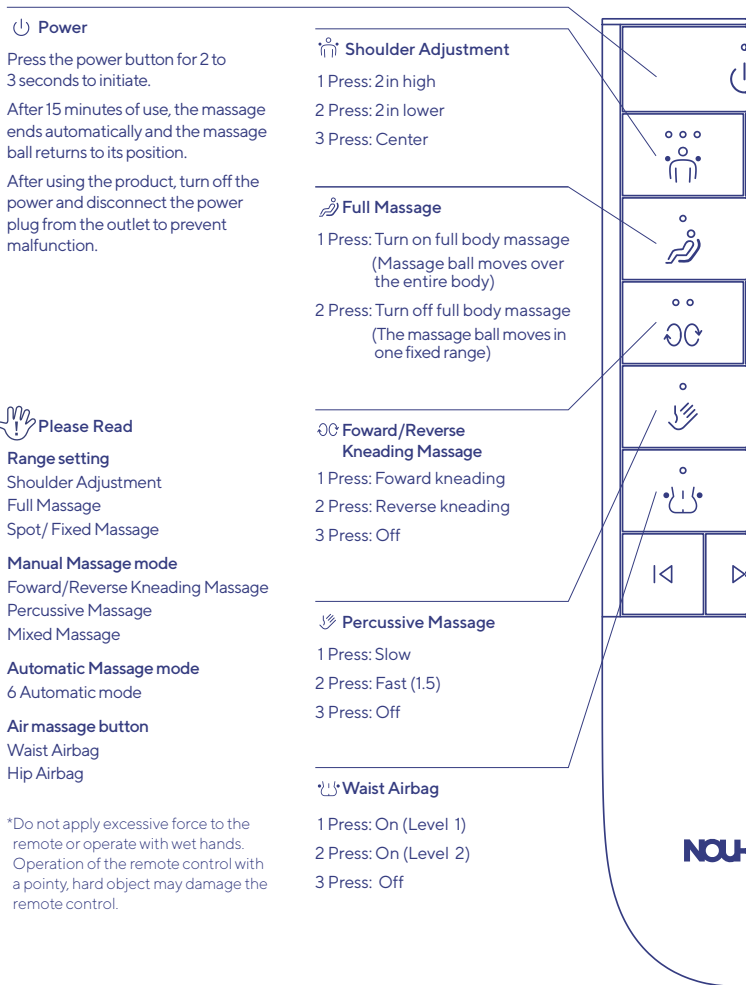
If you want to switch from one device to another, follow the steps below:

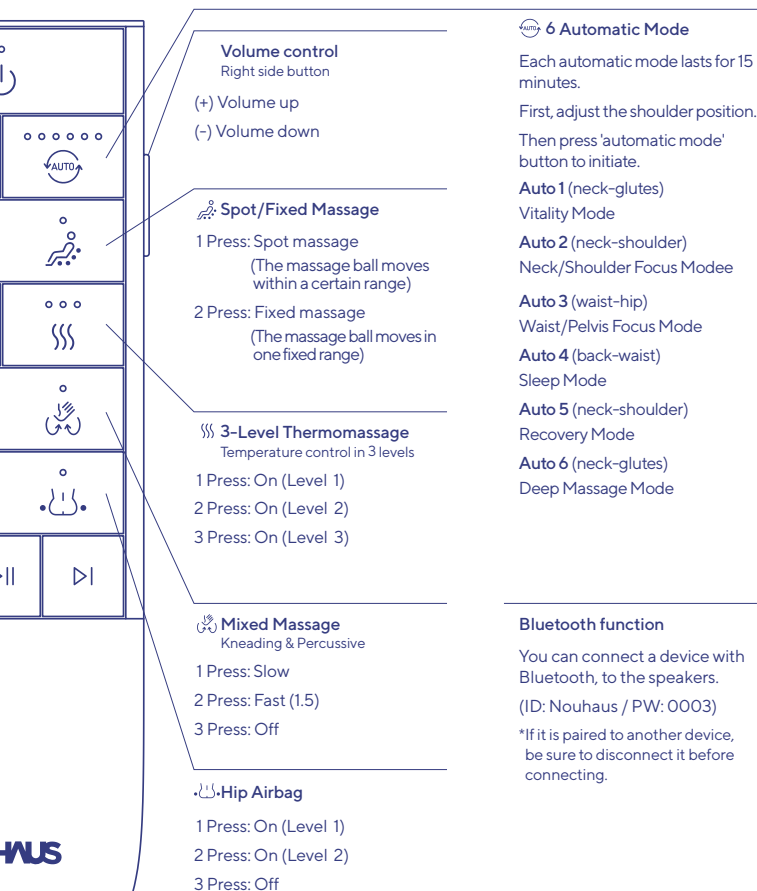
1. Go to Bluetooth manager on your device
2. Disable “Nouhaus”
3. The Nouhaus Classic can now be connected to a different device.

Out of Range or Lost Signal

To avoid a lost connection keep your device within the Bluetooth range (within 30 feet), and/or make sure there is a clear line of sight and that there are no obstructions between the Nouhaus Classic and the music device. Within 30 seconds, the connection will automatically be re-established. If the connection is lost, connection will need to be paired again.

The Bluetooth® word mark and logos are registered trademarks owned by Bluetooth SIG, Inc. and any use of such marks by Ace Bayou Corporation is under license. Other trademarks and trade names are those of their respective owners.





Be sure to disconnect the power plug from the outlet when cleaning. Also, do not touch with wet hands.

→ *There is a risk of electric shock or injury.*

Do not wipe with benzene, paint thinner, alcohol or spray insecticide.

→ *Causes discoloration, deterioration, or fire.*

Wipe gently using a leather cleaner used in natural leather products.

Never iron the skin.

Wearing leather clothing may cause inflammation, as leather coverings can easily be disfigured.

Persistent sunlight, UV exposure can discolor the color of the product, so avoid placing it near the window and sunlight since it can change the color of the product.

If you encounter problems while using the product, refer to the following solutions:

If the problem persists, turn off the power supply, disconnect the power plug from the outlet, and then ask the service center.

Never under any circumstance should you attempt to disassemble or repair this product yourself or through an unauthorized repair service: doing so will invalidate your warranty.

The Service Center shall not be responsible for any consequences.

Problem	Solution
The product is not powering on.	<p>Make sure that the power switches are returned on.</p> <p>Check the power plug connection.</p> <p>Make sure the voltage used is correct</p> <p>Make sure the remote control is assembled correctly (Step 3 on Page JK).</p>
<p>I hear friction in the massage chair.</p> <p>I can hear the motor clearly.</p> <p>Using a massage feature makes the noise louder.</p>	<p>Noise is generated by mechanical construction, it is not a failure.</p> <p>Noise may be present during normal operation.</p>
The remote control works but the massage chair doesn't work.	<p>When using the product for long periods of time, the temperature increases. The massage chair automatically switches to the over-temperature protection mode. In this case, turn off the power and allow the heat to cool.</p> <p>Please wait for 30 to 50 minutes.</p>
Both the remote control and the massage chair do not work.	If Auto Mode has been set, it means the time has expired and the chair has powered off. Press the Auto Mode button again to reset. Power the chair off and on again.

*If this does not work, please refer to the product warranty and contact customer support.

Q1. Can I get a massage on my back only?

After pressing the kneading massage button, press the Full-body massage button and press it again when the massage balls reach the targeted area. Then the massage balls will be fixed.

Q2. Is it possible to adjust the tension?

You can adjust the tension using the hexagon wrench provided at the time of installation.

Insert a hexagon wrench into the hole located in the center of the four-foot support at the bottom of the massage chair, and rotate it.

*See tension adjuster on page JK.

Q3. How far does the chair lean back?

It reclines to 119 degrees, from its default angle (104 degrees). When putting your feet on the ottoman, it will naturally become inclined due to the weight. (Reclining degree cannot be fixed)

Q4. I can't connect to the Bluetooth Speaker.

Turn the power off and on again. Then delete 'Nouhaus' on the device and reconnect it.

*Bluetooth can be connected to only one device at a time.

Q5. Will it create a lot of inter-floor noise?

Unlike other massage chairs, it barely creates any inter-floor noise because the main body is not attached to the floor.

In addition, you can further reduce the noise by placing a rug under the massage chair.

Q6. The operating sound seems louder than expected.

In a relatively quiet residential space, you may hear the machine sound when operating the massage chair, but this is normal and not a cause for concern.

Q7. The massage balls do not seem to be centered. Is my massage chair defective?

No, this is a normal symptom. When using the massage function, the massage balls move up/down and left/right. Due to these movements, the left and right symmetry of the massage balls are not identical when the massage has ended.

Product Name	Nouhaus Classic Massage Chair
Model Name	N-0003H
Massage Chair Dimension	W25.98 x D39.76 x H37.59 in
Ottoman Dimension	W19.29 x D15.35 x H18.89 in
Package Dimension	W49.21 x D27.95 x H25.59 in
Massage Chair Weight	72.9 lbs
Ottoman Weight	9.2 lbs
Gross Weight	108 lbs
Weight Capacity	250 lbs
Power Usage	AC100V-240V, 50/60Hz
Power Consumption	100 W
Thermomassage	24 V 5 W // internal temperature max. 59 °C, sensory temperature max. 50 °C
USB Port	5V 2A
Customer Service	support@nouhaus.com
	10985 Oleander Ave. Fontana, CA 92337
	+1(888)387-5949

NOUHAUS massage chairs are warranted for a period of ONE year against

1. Missing materials from the Product at the time of delivery;
2. Defects in the manufacturing of materials used for the Products at the time of delivery;
3. Failure of the Products to correspond with the description in the applicable contract of sale at the time of delivery; and
4. Major defects in the functional department, such as :
 - Skeletal steel frame failure
 - Airbag failure
 - Power failure
 - Remote control failure
 - Massage ball failure
 - Recline tension mechanism failure

Subject to the following:

Any replacement parts shall be sent to the address of the original purchaser, replaced parts may be required to be shipped back to NOUHAUS at its discretion; to benefit under this warranty, NOUHAUS must be notified of any defect within 14 days of the occurrence of such defect via an image or video of the relevant defect sent electronically to support@nouhaus.com, and after inspection and acceptance by NOUHAUS; to the extent permitted under the applicable Federal and State law of the United States of America, all parts replaced or repaired under this warranty shall be warranted for the remainder of the designated Warranty Period.

What Our Warranty Does Not Cover

All warranties listed on this page exclude the following where permitted under the applicable Federal and State law of the United States of America:

1. Excludes normal wear and tear of surfaces that are not attributable to manufacturing, including but not limited to (a) degradation of upholstery (PU leather / fabric / genuine leather / mesh), top portion of armrests, pillows, casters exterior or mesh stitching, (b) damage to plastic coverings, (c) variance of tightness of mechanisms, and (d) excludes damage from accidents, natural disasters, physical damage from pets, fire and flood, and non-manufacturing incidents covered under insurance policies (regardless of whether you are in possession of the relevant insurance), (e) excludes any variations in dimensions and color;
2. Any claims for indirect, consequential or incidental losses.
3. Damage to a product that has been modified or altered without the written permission of NOUHAUS;
4. Damage caused to all NOUHAUS products during self-assembly due to failure to adhere to the relevant self-assembly manual instructions provided;
5. Minor misalignments, variations arising out of hand-made workmanship. To ensure your product enjoyment and safety, and protection under the "Warranty Period", please ensure you have NOUHAUS assembly and care guidelines for this product, and follow them for the correct assembly and care for your item. Contact our Customer Service Team to obtain these guidelines if you do not have them.

For warranty information,
please visit the Warranty page at www.nouhaus.com

Product Information

Product Name

Product Name

Manufacture Date

Manufacture Number

Purchase Store

Purchase Store Contact

Date of Purchase

Order Number

Date of Installation

Warranty Date

Customer Information

Name

Contact

Address

Any Changes or modifications not expressly approved by the party responsible for compliance could void the user's authority to operate the equipment. This device complies with part 15 of the FCC Rules.

Operation is subject to the following two conditions:

1. This device may not cause harmful interference.
2. This device must accept any interference received, including interference that may cause undesired operation.

Note: This equipment has been tested and found to comply with the limits for a Class B digital device, pursuant to part 15 of the FCC Rules. These limits are designed to provide reasonable protection against harmful interference in a residential installation. This equipment generates uses and can radiate radio frequency energy and, if not installed and used in accordance with the instructions, may cause harmful interference to radio communications. However, there is no guarantee that interference will not occur in a particular installation. If this equipment does cause harmful interference to radio or television reception, which can be determined by turning the equipment off and on, the user is encouraged to try to correct the interference by one or more of the following measures:

- Reorient or relocate the receiving antenna.
- Increase the separation between the equipment and receiver.
- Connect the equipment into an outlet on a circuit different from that to which the receiver is connected.
- Consult the dealer or an experienced radio/TV technician for help.

FCC 20cm Statement

This equipment complies with FCC radiation exposure limits set forth for an uncontrolled environment. This equipment should be installed and operated with a minimum distance of 20cm between the radiator & your body. This transmitter must not be co-located or operating in conjunction with any other antenna or transmitter.

US Office

NOUHAUS Inc.
10985 Oleander Ave. Fontana, CA 92337

Customer Service Center

10985 Oleander Avenue Fontana, CA 92337
support@nouhaus.com
+1 (888) 387-5949

Subscribe

 nouhaus.com

 @nouhaus

 Nouhaus

 Nouhaus

 @nouhaus_official

 @nouhaus