

## **Budgit Electric Hoists**



<b>Capacities</b>	1/4 to 3 tons
<b>Lift</b>	10 foot, longer lifts available
<b>Lift speeds</b>	5 to 64 FPM
<b>AC Power</b>	115/230 1-60HZ; Reconnectable; 230/460 3-60; Reconnectable 208 and 575 3-60 single voltage
<b>Control</b>	Push button control voltages of 115 volts standard on all 3 phase models, single speed, two speed and single phase models. 24 volt control optional
<b>Suspension</b>	Hook, lug, plain, geared and motorized trolleys
<b>Options</b>	Load brake, weather proofing & waterproof covers, corrosion resistant, plating service, explo- sion proof div. 2, food service, spark resistant

### **What's *NEW* with *BUDGIT* Electric Hoists**



NEW Limit Switch



NEW Motor Brake

- All hoists are provided with a high tech electronic upper & lower limit switch, easily adjustable by the press of a button.
- New heavy duty motor brake is an AC spring set disc brake for positive braking action and long life with minimal maintenance. Easy 1-step adjustment procedure
- Nylon mesh fabric chain container included as standard for lifts up to 20'
- New design allows easy change out of either hook or lug suspension.
- Powdercoat finish

**There's a *BUDGIT* Hoist Solution for Every job**

## Budgit Electric Hoist

*For over 60 years, Budgit® Electric chain hoists have been designed and manufactured for tough jobs. Since 1935, Budgit® has led the industry in innovation, quality, and dependability. These compact, lightweight, economical hoists are built to withstand the rigors of heavy service and repeated lifting cycles. They are easy to service, require minimal maintenance, and offer excellent headroom.*

**Budgit Hoists** are designed for H4 duty (300 starts/hour, 30 minutes/hour on time), which meets most heavy-duty industrial applications. BUDGIT's range of specifications and features have made it the perfect solution for thousands of hoists sold in industries such as:

- Automotive Industry
- Fabricating shops/ machine shops
- Manufactured Housing Industry
- Shipping receiving and warehousing
- Chemical Plants
- Lumber Mills
- Foundries and Steel Mills
- Textile
- Pulp and Paper
- Marine
- Construction
- Plastics

### **Budgit also offers special hoists for specific industries**

#### ***Food Handling and Pharmaceutical***

Options include clean hoist (no paint) or FDA approved epoxy enamel paint, stainless steel lower block, hooks and chain and food grade oil for gear transmission.

#### ***Corrosion Resistant / Plating Applications***

Options include zinc-plated load chain and hooks, zinc-plated or anodized lower block, motor shaft seal and sealing of electrical joints.

#### ***Explosion Proof and Spark Resistant Features***

Hoist options allow for use in Class 1, Div. 2, Group C & D applications and Class 2, Div.2, Group F & G. Options include NEMA 7 panel for Class 1, Div. 1 and NEMA 4/12 panel for Class 2, Div. 2, stainless steel load chain, hook & lower block and intrinsically safe relays.

#### ***Precision Handling***

Budgit offers a wide range of hoisting speeds to suit your application. Optional 2-speed control (3:1 speed ratio) or variable frequency control (10:1 speed ratio) will offer precision handling control of loads.

#### ***Outdoor Service***

Weather resistant options such as zinc-plated load chain, water resistant covers and sealing of electrical joints make the hoist a good choice for use in outdoor applications.

**UNSURPASSED VALUE WITH A BUDGIT**

### **Think Safety, Think Budgit**

Standard safety features:

- Overload Clutch – prevents and protects operator, hoist and supporting structure from lifting excessive loads.
- Paddle Type Upper & Lower Limit Switch – Automatically shuts down power to the hoist preventing lower block from two-blocking into hoist frame.
- Safety Latches – Spring loaded safety latches for both upper and lower hooks.
- Designed To Meet ASME/ANSI B30.16, CSA, NEC electrical codes and is ISO 9001 certified.

# Budgit Electric Hoist Cutaway



## **NEW Heavy Duty Motor Brake**

AC spring set disc brake for positive braking action and long life with minimal maintenance. Easy 1-step adjustment procedure.

## **Gearing**

Totally enclosed, oil-bath lubricated for long life.

## **High-Torque, Heavy Duty Hoist Motor**

Motors are H4 30-minute rated with class "F" insulation and include a thermal actuated switch –(TAS) embedded in the motor winding for protection

## **Load Sprocket & Chain Guide**

Provided with a full floating chain guide that assures proper engagement of chain on load sprocket.

## **Lower Block**

Provided with a 360° rotating hook riding on thrust bearings. As standard, the hook is provided with a spring-loaded latch.

## **Push-Button Controls**

Standard push-button control station is contoured for operator comfort allowing easy one-handed sure grip control and provided with a weatherproof NEMA-4X enclosure. The push-button cable is provided with built-in strain relief to help prevent cable damage.

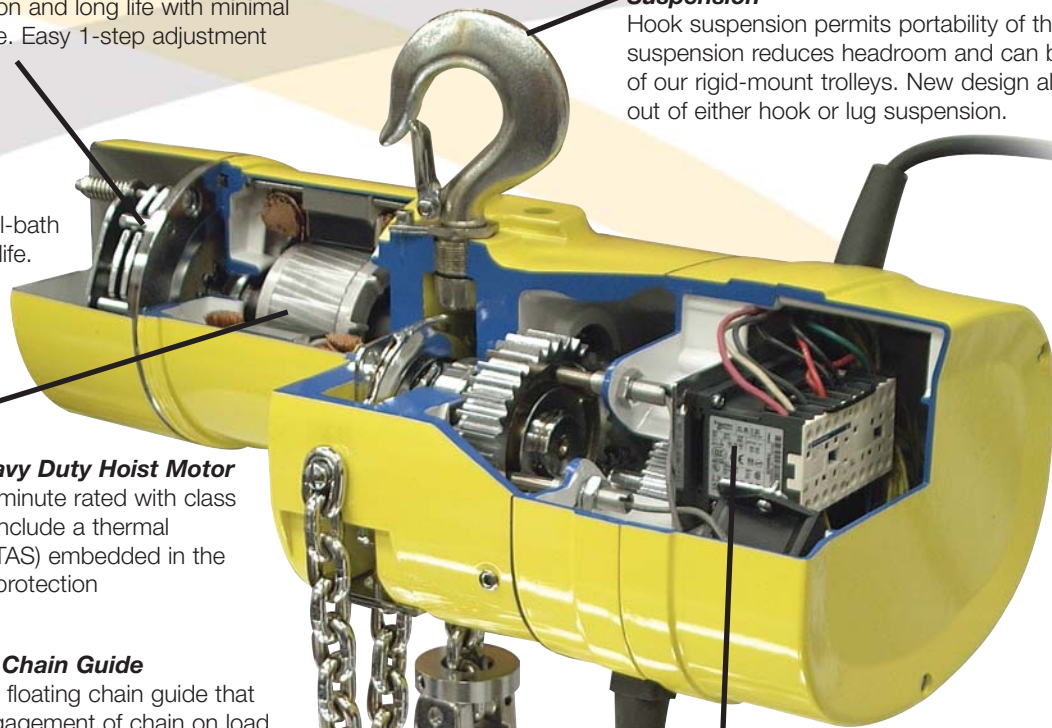


## **Manguard Overload Protection**

The Manguard prevents lifting loads beyond the hoist's load range, which may damage the hoist or supporting structure. Optional mechanical load brake is available.

## **Suspension**

Hook suspension permits portability of the hoist while lug suspension reduces headroom and can be used with any of our rigid-mount trolleys. New design allows easy change out of either hook or lug suspension.



## **Paddle Limit Switch**

Paddle upper & lower control limit switch standard on all hoists.

## **Hoist Controls**

Single speed (standard) or optional two speed and variable frequency for precision handling is located under a removable cover for easy access.

## **Powder Coat Finish**

Provides a long lasting durable finish and added resistance to corrosive environments.

## **Chain Container**

Included as standard for lifts up to 20'.

## **Die-Cast Aluminum Alloy Housing and Frame**

Lightweight & rugged. Housing is precision machined for accurate gear and bearing alignment.

All hoists are built in compliance to ASME/ANSI B30.16 standards and NEC electrical codes. Budgit® electric hoists and motor-driven trolleys are CSA approved and are ISO9001 certified.

## **Specifications**

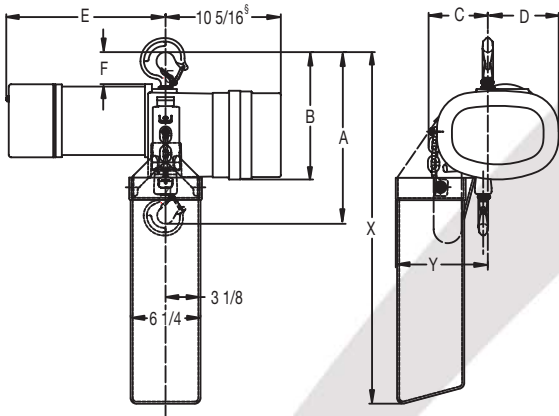
<b>Capacity Range</b>	1/4 thru 3 tons
<b>Lift</b>	10 feet standard, additional lifts available.
<b>Lifting Speed</b>	5 to 64 FPM
<b>AC Power Supply</b>	115/230 1-60 HZ; 230/460-3-60 reconnectable or 208 and 575-3-60 single voltage
<b>Control</b>	Push-button control voltage of 115 volts standard on all models. 24-volt control optional.
<b>Suspension</b>	Hook and Lug

# Hook & Lug Mounted Hoists

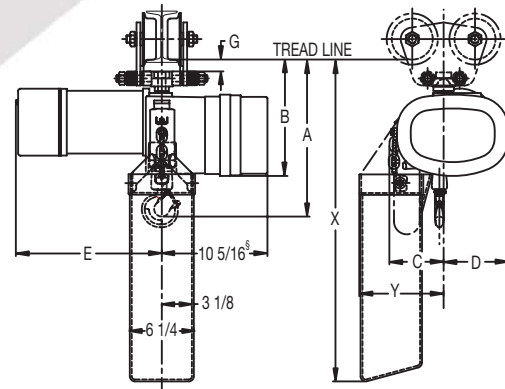


- Single speed standard. Optional 2-speed or variable frequency control available for precision load spotting.
- Heavy duty AC spring set motor brake with easy 1-step adjustment procedure.
- Gearing totally enclosed in oil-bath lubrication for long life.
- High-torque H4 rated heavy duty motor with Class 'F' insulation with thermal actuated switches embedded in the motor winding for protection from overheating
- Weatherproof NEMA-4X enclosed push-button control station specially contoured for operator comfort allowing easy one-handed sure grip control.
- Paddle type upper & lower control limit switch.
- Powder coat finish provides long lasting durable finish and added resistance to corrosive environments.
- Manguard overload protection prevents lifting excessive loads.
- Choice of either hook suspension permitting portability of the hoist or lug suspension which reduces valuable headroom.
- All hoists are built in compliance to ASME/ANSI B30.16 & CSA standards, ISO certified and NEC electrical codes.

## Hook Mount



## Lug Mount



§ This dimension becomes 11-5/16" for 2-speed and 2-1/2 Hp models only

## Specifications & Dimensions

Capacity	Hoist Catalog #	Lift Speed	Motor	Parts of Chain	Net Weight	A		B		C	D	E** Max.	F	G	X***		Y
						Hook	Lug	Hook	Lug						Hook	Lug	
tons		FPM	H.P.		lbs	in	in	in	in	in	in	in	in	in	in	in	in
1/4	BEHC2516	16	1/4*	1	77	15-5/16	15-5/16	11-3/8	11-3/8	5-5/16	6-5/16	14-1/4	2-7/8	1-1/16	31-7/16	31-7/16	8-1/4
	BEHC2532	32	1/2		80												
	BEHC2564	64	1		77												
1/2	BEHC5016	16	1/2	1	80	15-5/16	15-5/16	11-3/8	11-3/8	5-5/16	6-5/16	14-1/4	2-7/8	1-1/16	31-7/16	31-7/16	8-1/4
	BEHC5032	32	1		81												
1	BEHC0108	8	1/2	1	88	15-5/16	15-5/16	11-3/8	11-3/8	5-5/16	6-5/16	14-1/4	2-7/8	1-1/16	31-7/16	31-7/16	8-1/4
	BEHC0116	16	1		89												
	BEHC0132	32	2-1/2		95												
2	BEHC0204	4	1/2	2	110	21-1/4	20-3/8	13-1/8	12-3/16	6-5/8	5	14-1/4	4-9/16	1-1/16	33-3/16	32-1/4	9-9/16
	BEHC0208	8	1		111												
	BEHC0216	16	2-1/2		112												
3	BEHC0305	5	1	3	136	24-3/16	24-9/16	14-3/8	14-3/4	8-1/16	7-1/8	14-1/4	5-13/16	2	34-3/8	34-13/16	10-7/8
	BEHC0310	10	2-1/2		146												

\* Two speed hoist has a 1/2 H.P. motor

\*\* Maximum length between one & two speed model hoists. Consult factory for exact dimensions.

\*\*\* Dimensions based on lifts thru 30 ft (1/4 - 1 Ton capacities), thru 15 ft lift (2 Ton capacity) and thru 10 ft lift (3 Ton capacity)

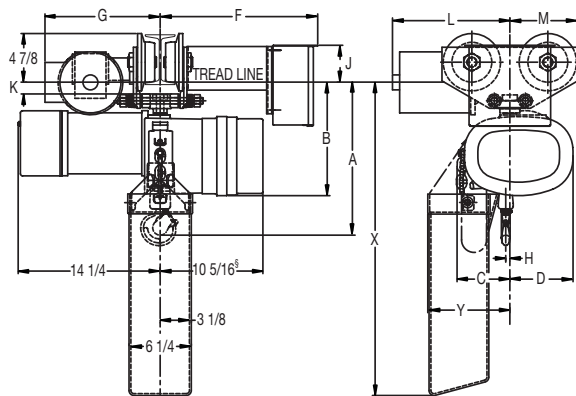
# Lug Hoists with Motor Driven Trolley

## One & Two Speed Hoists



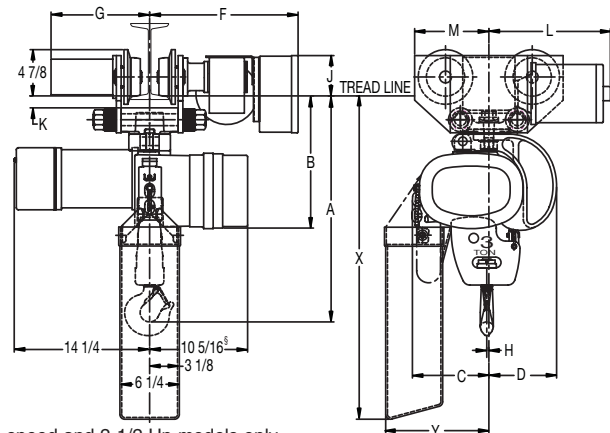
- Single speed standard. Optional 2-speed or variable frequency control available for precision load spotting for both hoist and trolley motions.
- Heavy duty AC spring set hoist motor brake with easy 1-step adjustment procedure.
- Trolley worm gear design provides smooth stopping performance.
- Hoist gearing totally enclosed in oil-bath lubrication for long life.
- Weatherproof NEMA-4X enclosed push-button control.
- Paddle Type upper & lower hoist travel limit switch.
- Manguard hoist overload protection prevents lifting excessive loads.
- All hoists and trolleys are built in compliance to ASME/ANSI B30.16 & CSA standards, NEC electrical codes and are ISO 9001 certified.

### 1/4, 1/2, 1 & 2 Ton Trolley



§ This dimension becomes 11-5/16" for 2-speed and 2-1/2 Hp models only

### 3 Ton Trolley



## Specifications & Dimensions

Capacity	Hoist Catalog Number	Lift Speed	Motor	Parts of Chain	Net Weight	A	B	C	D	F Max.	G Max.	H	J	K	L	M	X***	Y
tons		FPM	H.P.		lbs.	in	in	in	in	in	in	in	in	in	in	in	in	in
1/4	BEHC2516	16	1/4*	1	162	15-3/8	11-3/8	5-5/16	6-5/16	16-13/16	12-9/16	1/4	3-11/16	1-3/16	13-1/2	7-13/16	31-7/16	8-1/4
	BEHC2532	32	1/2		165													
	BEHC2564	64	1		164													
1/2	BEHC5016	16	1/2	1	165	15-3/8	11-3/8	5-5/16	6-5/16	16-13/16	12-9/16	1/4	3-11/16	1-3/16	13-1/2	7-13/16	31-7/16	8-1/4
	BEHC5032	32	1		166													
	BEHC0108	8	1/2		173													
1	BEHC0116	16	1	1	174	15-3/8	11-3/8	5-5/16	6-5/16	16-13/16	12-9/16	1/4	3-11/16	1-3/16	13-1/2	7-13/16	31-7/16	8-1/4
	BEHC0132	32	2-1/2		182													
	BEHC0204	4	1/2		207													
2	BEHC0208	8	1	2	209	20-1/2	12-3/8	6-5/8	5	17-3/8	12-1/8	3/16	4-3/8	1-1/4	12-1/4	7-9/16	32-7/16	9-9/16
	BEHC0216	16	2-1/2		210													
	BEHC0305	5	1		296													
3	BEHC0310	10	2-1/2	3	304	23-13/16	13-15/16	8-1/16	7-1/8	16-3/4	11-1/2	1/4	4-1/4	1-1/4	13-1/2	7-13/16	34-1/8	10-7/8

\* Two speed hoist has a 1/2 H.P. motor

\*\* Maximum length between one & two speed model hoists. Consult factory for exact dimensions.

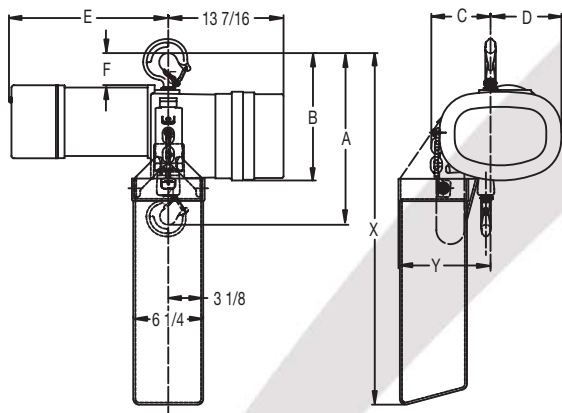
\*\*\* Dimensions based on lifts thru 30 ft (1/4 - 1 Ton capacities), thru 15 ft lift (2 Ton capacity) and thru 10 ft lift (3 Ton capacity)

# VFD Hoist

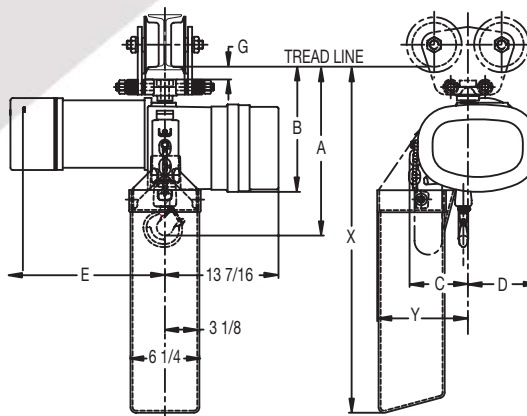


- Variable speed control with single speed motor
- Minimizes high-starting current on motor which helps keep it cool extending life of motor and also permits increase in motor run-time and starts/stops over standard contactor control.
- Electronic reversing, multispeed operation (up to 3 steps) eliminates conventional magnetic contactors which are wearable components
- Voltages available are 380-460/3/60, 208-230/3/60 and 208-230/1/60
- 10:1 speed ratio permits precise positioning for load spotting
- H4 duty rating
- 2-step infinitely variable push-button control standard. 3-step also available
- Thermal overload protection
- Fault recorder helps troubleshoot various problems such as power related issues.
- 3 programmable outputs

## Hook Mount



## Lug Mount



## Specifications & Dimensions

Capacity	Hoist Catalog #	Lift Speed	Motor	Parts of Chain	Net Weight	A		B		C	D	E* Max.	F	G	X**		Y
						Hook	Lug	Hook	Lug						Hook	Lug	
tons		FPM	H.P.		lbs	in	in	in	in	in	in	in	in	in	in	in	in
1/4	BEHC2516V	16	1/4	1	77	15-5/16	15-5/16	11-3/8	11-3/8	5-5/16	6-5/16	14-1/4	2-7/8	1-1/16	31-7/16	31-7/16	8-1/4
	BEHC2532V	32	1/2		80												
	BEHC2564V	64	1		77												
1/2	BEHC5016V	16	1/2	1	80	15-5/16	15-5/16	11-3/8	11-3/8	5-5/16	6-5/16	14-1/4	2-7/8	1-1/16	31-7/16	31-7/16	8-1/4
	BEHC5032V	32	1		81												
	BEHC0108V	8	1/2		88												
1	BEHC0116V	16	1	1	89	15-5/16	15-5/16	11-3/8	11-3/8	5-5/16	6-5/16	14-1/4	2-7/8	1-1/16	31-7/16	31-7/16	8-1/4
	BEHC0132V	32	2-1/2		95												
	BEHC0204V	4	1/2		110												
2	BEHC0208V	8	1	2	111	21-1/4	20-3/8	13-1/8	12-3/16	6-5/8	5	14-1/4	4-9/16	1-1/16	33-3/16	32-1/4	9-9/16
	BEHC0216V	16	2-1/2		112												
	BEHC0305V	5	1		136												
3	BEHC0310V	10	2-1/2	3	146	24-3/16	24-9/16	14-3/8	14-3/4	8-1/16	7-1/8	14-1/4	5-13/16	2	34-3/8	34-13/16	10-7/8

\* Maximum length for 3 phase model hoists. Consult factory for exact dimensions.

\*\* Dimensions based on lifts thru 30 ft (1/4 - 1 Ton capacities), thru 15 ft lift (2 Ton capacity) and thru 10 ft lift (3 Ton capacity)

## Electric Hoist Options & Accessories



### **WEATHER RESISTANT**

Weather resistant options such as water resistant covers, zinc-plated load chain, upper & lower hooks and sealing of electrical joints permit the hoist to be used for out door applications.



### **HEAVY DUTY RIGID MOUNT TROLLEYS FOR HEAVY DUTY SERVICE TRAVERSE APPLICATIONS**

Designed for use specifically with BUDGIT® lug mounted electric chain hoists. The wheels are heat treated forged steel with dual tread design for operation on either "S" or wide flange beams. Sealed precision ball bearings and heavy gauge steel side plates provide a heavy duty unit. Optional drop lugs available.



### **CHAIN CONTAINER**

Ideal means for eliminating hanging tail chains. They are easily installed and accept the chain in such a way that chains tend not to kink or twist.



### **LUG SUSPENSION BRACKETS**

Used to convert hoists from hook to lug suspensions. Must be used to accommodate rigid mount push, hand-gear and motor-driven trolleys.



### **FOOD & PHARMACEUTICAL SERVICE OPTIONS**

Clean hoist (no paint) or FDA approved epoxy enamel paint, stainless steel load chain, hooks & lower block, and food grade lubrication.



### **PUSH-BUTTON STATION**

All motions can be controlled from a convenient, easy to operate NEMA 4X push-button station. Push-button stations are available for one and two speed, or variable frequency applications.



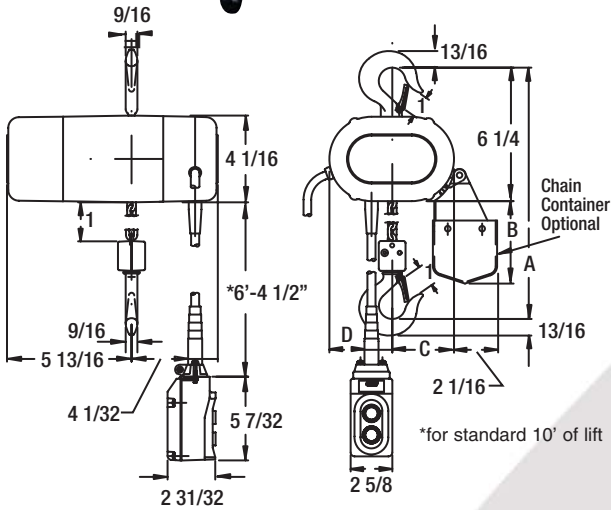
### **LOAD POINT CONTROL**

Hoist Load Point Control is a convenient ergonomic solution, which permits the operator to use one hand to maneuver the load with the other operating the hoist. Available for 1/8 - 1/2 ton applications. Single and two-speed models available.



### **CABLE REELS**

Spring loaded reels keep power conductor cables taut and out of the way. Suitable for use with BUDGIT® and other electric hoists and trolleys. Cable reel is stationary type with a 340° pivot base.



- Easy installation and maintenance
- Standard protector overload device
- 10-pocket, oblique lay liftwheel for smooth chain operation, constant chain speed and reduced chain wear
- NEMA 4, industrial-rated control station
- Gear train lifetime lubricated with non-oxidizing grease
- Alloy load chain for smooth operation and maximum chain life
- Thermally-protected hoist duty motor
- Dual brake system - D.C. plus regenerative
- Rugged cast aluminum alloy hoist frame
- Small, compact design for commercial applications
- Totally enclosed, non-ventilated hoist frame protects the motor from environmental contamination
- Optional impact-resistant chain container is available
- Rigid latch style upper hook prevents tangling of power cord
- Precision bearings used throughout the hoist
- Hardened forged steel latch-style lower hook rotates 360°
- True vertical lift
- Lifetime Warranty

## Specifications & Dimensions

Capacity	Lift Speed	Motor	Reeving	Hoist Catalog Number				Lift	A	B	C	D	Shipping Weight
				*115-1-60	115-1-60	230-3-60	460-3-60						
lbs.	FPM	H.P.					ft.	in	in	in	in	lbs.	
250	16	1/16	single	931770	-	-	-	10	11-1/16	3-7/8	2-15/16	3	26
	16		single	-	931769	931771	931772						28
	24		single	-	-	931774	931775						28
	40		single	-	-	931777	931778						28
300	16	1/16	single	931781	-	-	-	10	11-1/16	3-7/8	2-15/16	3	26
	16		single	-	931780	931783	931784						28
	24		single	-	-	931786	931787						28
	40		single	-	-	931806	931807						28
500	8	1/16	double	931843	-	-	-	10	12-1/8	5-3/4	2-3/8	3-9/16	32
	8		double	-	931842	931844	931845						34
	12		single	931838	-	-	-						26
	12		single	-	931837	931839	931840						28
	20		double	-	-	931847	931848						34
	24		single	-	-	931862	931863						28
600	8	1/16	double	931791	-	-	-	10	12-1/8	5-3/4	2-3/8	3-9/16	34
	8		double	-	931790	931793	931794						34
	12		double	-	-	931796	931797						34
	20		double	-	-	931880	931881						34
1000	6	1/16	double	931866	-	-	-	10	12-1/8	5-3/4	2-3/8	3-9/16	34
	6		double	-	931865	931867	931868						34
	8		double	-	-	931870	931871						32
	12		double	-	-	931873	931874						32

\* Contractor in PB station



# Rigid Mount Trolley



- Designed especially for use with lug suspended BEHC, 6000 Series, 2200 Series and USA Models.
- Ideal for low head room applications where distance from floor to I-beam is limited.
- Trolley side plates are of all-steel construction providing maximum strength.
- Wheels have hardened dual treads ensuring long life and operate on ball bearings for easy travel. Pressure fittings are provided in wheel axels to simplify lubrication.
- Dual treads allow trolley to run on both I-beam and width flange type beam applications. Optional patented type wheels available for patented track systems.
- Hand-gearred models, the hand chain operated wheel turns a pinion which meshes with steel gears for ease of operation and accurate spotting. Chain guide provided to ensure chain alignment with wheel.
- Anti-tilt rollers are provided on hand-gearred trolleys to eliminate the tilting of trolley on beam when operating with a light load or without a load.
- Optional safety drop stops and bumpers available.
- Spark resistant models available, heavy duty rigid mount trolleys.

## Specifications & Dimensions

Capacity	Push Trolley		Hand Geared*		Flange widths	Min. Beam Depth**	Min. Radius Curve	A	B	C	D	WD	F Max.†	G Dia.	H	J Max.	M Max.	N
	Model #	Net Weight	Model #	Net weight														
tons		lbs.		lbs.	in	in	in	in	in	in	in	in	in	in	in	in	in	in
<b>Rigid Mount Trolleys</b>																		
1/4 & 1/2	905401	15	-	-	2-5/8 to 4-5/8 <sup>§</sup>	4	2' 6"	4-3/8	2-5/8	3-3/16	11/16	3-1/8	1-5/8	5/8	8-1/8	3-11/16	-	3-1/8
1	905402	23	-	-	3 to 5	5	3' 6"	6-1/8	2-9/16	3-7/8	11/16	4	1-7/8	5/8	8-7/8	5	-	3-1/8
	905405	24	-	-	5-1/4 to 7-3/8										11-1/8		-	
	-	-	905411	40	3 to 5										8-7/8		9-3/4	
	-	-	905413	41	5-1/4 to 7-3/8										11-1/8		11-1/8	
2	905403	43	905412	57	3-3/8 to 6	6	5' 0"	6-7/8	3-13/16	4-7/16	1	4-15/16	2	1	10-1/8	5-13/16	10-1/4	5
	905406	44	905414	58	6-1/4 to 8-7/8										13		11-7/8	
3	905404	50	905417	65	3-3/8 to 6	6	5' 0"	6-7/8	4-3/16	5-3/4	1-3/8	4-15/16	3-1/4	1-1/4	12-3/4	5-13/16	18-3/8	6
	905407	52	905418	67	6-1/8 to 8-7/8										15-3/4		19-7/8	
	905408	54	905419	69	9 to 11										17-7/8		21-1/8	
<b>Heavy Duty Rigid Mount Trolleys</b>																		
1	900211	35	900261	50	3 to 5	6	3' 0"	7-5/8	3	3-7/8	3/4	4	1-7/8	5/8	8-7/8	4-7/8	10-9/16	3-1/8
	900212	38	900262	53	5-1/8 to 7-1/4										11-1/4		11-11/16	
	900213	41	900263	56	7-1/2 to 9-1/8										12-3/4		12-5/8	
2	900221	45	900271	60	3-3/8 to 6	6	5' 0"	9-1/8	3	4-1/8	1-5/16	4	2-1/8	1	9-1/2	4-7/8	10-1/16	5
	900222	48	900272	63	6-1/4 to 8-5/8										12-1/8		11-3/8	
	900223	51	900273	66	8-7/8 to 11-1/4										14-3/4		12-11/16	
3	900231	55	900281	70	4 to 6-1/4	6	5' 0"	9-1/8	3-1/4	4-1/2	1-3/8	4	2-1/2	1-1/4	12	4-7/8	16-1/2	6
	900232	58	900282	73	6-3/8 to 8-5/8										14-3/8		17-11/16	
	900233	62	900283	77	8-3/4 to 11										16-3/4		18-7/8	

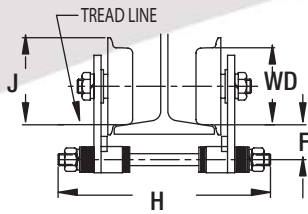
\* Hand-gearred trolleys have standard hand chain drop of 9'-6". Longer chain available.

\*\* When used on smallest I-Beam size, beam must be free of all obstructions such as clips, suspension bolts and nuts.

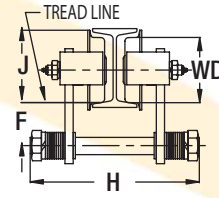
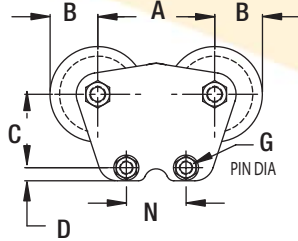
§ For 1/4 and 1/2 ton applications on wider flange beams, mount on 1 ton trolleys.

¥ Dimension "F" is based on largest size beam on which trolley will operate. Dimension increases slightly for each of the smaller beam sizes.

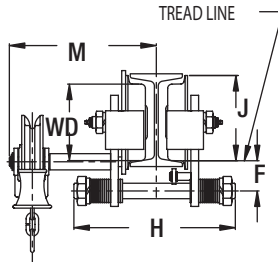
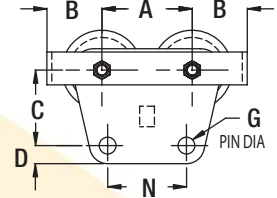
**Rigid Mount Trolleys**



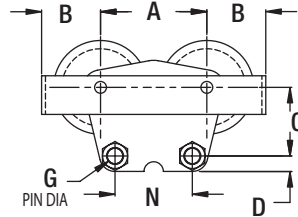
**Push Trolley 1/4, 1/2 & 1 ton**



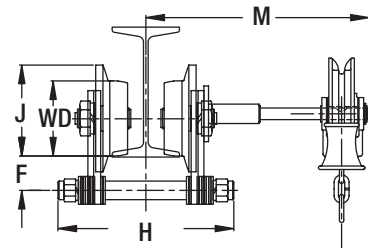
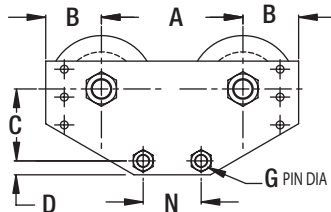
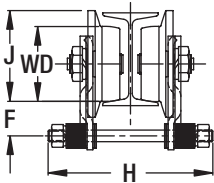
**Push Trolley 2 & 3 ton**



**Hand-Geared Trolley 1, 2 & 3 ton**



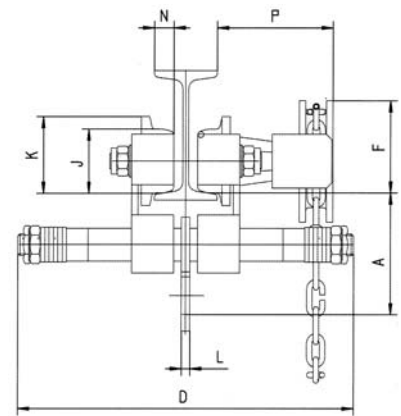
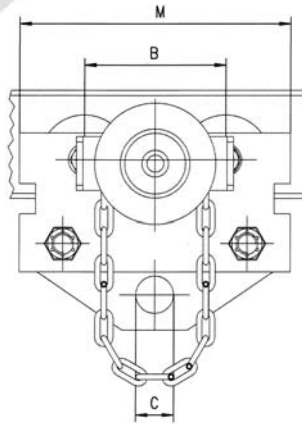
**Heavy Duty Rigid Mount Trolleys**



# Hook Suspension Trolleys



- Capacities from 1/4 to 5 ton (metric rated).
- Trolley sides are of all-steel construction for maximum strength
- Wheels are steel with hardened treads and roller bearings for easy traversing and long life
- Self-aligning frames keep the load equally distributed, and are adjustable to fit several sizes of beams
- Wrap-around side plates provide built-in drop stops to increase operator safety and act as a bumper to protect wheels
- Push trolleys are an economical alternative for low-duty cycle, lighter capacity applications with lifts under 20 feet
- Hand-gear trolleys are designed for applications requiring close control of horizontal movement of the hoist and its load
- Hand-gear trolleys are ideal for those applications where an operator shouldn't be near or touch the load to move or position it



## Specifications & Dimensions

Capacity*	Model # **	Standard Beam Height	I-Beam Width	Min. Radius Curve	Wheel Tread Diameter								(CBTG)				Net Weight	
						A	B	C	D	F	J	K	K	L	M	N		P
tons		in	in	in	in	in	in	in	in	in	in	in	in	in	in	in	in	in
<b>Push Trolley</b>																		
1/4	CBTP-0025	4 to 24	2.0 to 8.7	27	2.36	3.94	3.54	1.18	11.81	-	2.36	2.83	-	0.31	7.56	0.71	-	19
1/2	CBTP-0050	4 to 24	2.0 to 8.7	27	2.36	3.94	3.54	1.18	11.81	-	2.36	2.83	-	0.31	7.56	0.71	-	19
1	CBTP(G)-0100	5 to 24	2.3 to 8.7	36	2.36	4.33	5.12	1.38	12.20	3.60	2.36	2.83	3.03	0.31	9.84	0.71	4.33	26
1-1/2	CBTP(G)-0150	6 to 24	2.3 to 8.7	45	3.15	5.12	5.91	1.89	12.60	3.56	3.15	3.78	3.86	0.47	11.81	0.79	4.33	46
2	CBTP(G)-0200	6 to 24	2.3 to 8.7	45	3.15	5.12	5.91	1.89	12.60	3.56	3.15	3.78	3.86	0.47	11.81	0.79	4.33	46
3	CBTP(G)-0300	8 to 24	3.0 to 8.7	55	4.41	6.18	7.09	2.36	13.39	4.23	4.41	5.20	5.24	0.55	14.57	1.14	4.33	86
5	CBTP(G)-0500	10 to 24	3.5 to 8.7	70	4.92	7.09	8.23	2.76	13.78	5.89	4.92	5.63	5.87	0.79	17.32	1.26	4.33	130

\* Metric rated

\*\* When ordering specify "P" for plain trolley or "G" for geared trolley

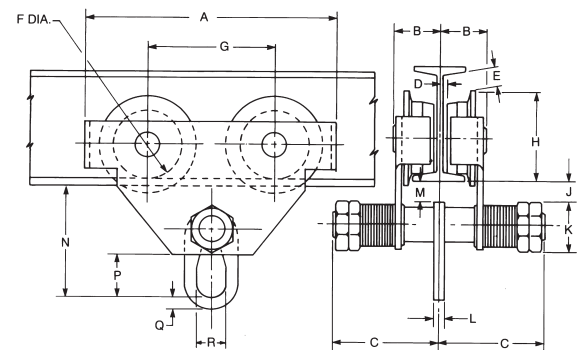
## Series 633 LoadLifter Ball Bearing Trolley



- Rugged steel side plates formed to include bumpers and trolley guards
- Frames connected by steel equalizer pin, secured by two nuts on each side
- Universal tread flanged trackwheels equipped with shielded ball bearings
- Easy rolling on American standard shaped, wide flange shapes or patented rail
- Hardened wheels and axles for added strength and durability
- Spacer washers can be shifted inside or outside for easy adjustment to wide range of beams
- To be used with hook suspended hoists
- Suspension plate for easy attachment is standard
- Bearings prepacked with lifetime lubricant
- One-year warranty

### Specifications & Dimensions

Capacity tons	Model #	Depth in	Flange Width in	Tread Dia. Of Wheels in	Min. Curve Rad. in	Net Weight in
1/2	922085	3-15	2-1/2 to 5-5/8	2-9/32	35	17
1	922086	5-24	3 to 8	3-15/32	35	35
2	922087	6-24	3-5/8 to 8	3-15/16	59	53
3	922088	8-24	4 to 8	5-1/8	71	101
5	922089	10-24	4-5/8 to 8	6-1/8	94	145



Capacity tons	Model #	A in	B in	C in	D in	E in	F in	G in	H in	J in	K in	L in	M in	N in	P in	Q in	R in
1/2	922085	8-1/2	2-5/32	5-1/16	1/16	-1/4	2-9/32	4	3	1-1/32	1-3/4	1/2	15/16	4-3/32	1-7/32	19/32	31/32
1	922086	10-13/16	2-13/32	6-9/16	7/16	11/32	3-15/32	4-7/8	4-11/32	1-1/32	2-3/32	1/2	31/32	5-1/16	1-3/4	19/32	1-5/32
2	922087	12-7/32	2-11/16	6-25/32	13/32	25/32	3-15/16	5-1/2	4-29/32	25/32	2-1/2	5/8	11/16	5-13/16	2-5/32	13/16	1-5/8
3	922088	14-13/16	3-1/16	7-13/32	1/2	1-7/16	5-1/8	6-9/16	6-1/8	1-3/16	3-13/32	5/8	15/16	7-7/16	2-9/16	1-3/8	1-31/32
5	922089	18-1/8	3-21/32	8	9/16	2-3/16	6-1/8	7-7/8	7-9/32	2-1/8	3-13/32	13/16	1-7/16	9-15/16	3-23/32	1-25/32	2-9/16

# Hook Suspension Trolleys



## Series 632 Close Radius Trolley

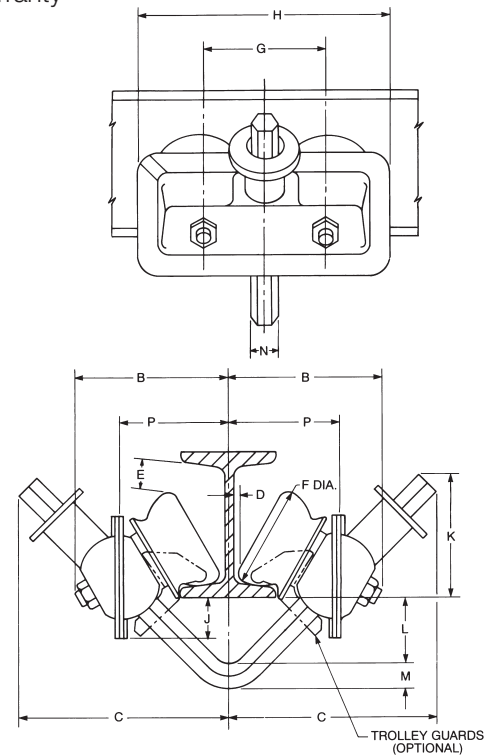
- Negotiates radius curves as tight as 7" - 10"
- Made of the highest quality rolled steel
- Unique double row, ball bearing wheel design provides five times greater wear capacity
- Larger V-bars available for wider flange adjustment
- For low headroom applications
- Bearings prepacked with lifetime lubricant
- Exclusive Dial-Fit collar quickly adapts trolley to a wide range of beams and patented rails
- Dust covers shield and protect bearings
- Trolleys available for larger beams, rails and tracks; contact factory
- Cast iron trolley guards available (except for 3 ton)
- Lifetime Warranty

### A Compact Close Radius Trolley

With revolutionary advances, this shorter, more compact trolley is 50% lighter than competitive trolleys, yet every bit as tough.

## Specifications & Dimensions

Capacity*	Model #	Adj. for standard S-beam						Min. Radius Curve
		Depth of Beam	Flange width	Tread diameter	Net weight	Ship Weight		
tons		in	in	in	lbs	lbs	in	
1/4 & 1/2	B3222	4-12	2-5/8 to 5-1/16	2-3/4	9	11	7	
1	B3224	4-12	2-5/8 to 5-1/16	2-3/4	10	12	7	
1-1/2 & 2	B3226	6-15	3-3/8 to 5-5/8	3-1/2	23	25	10	
3	B3230	8-18	4 to 6-1/4	3-1/2	29	32	10	



Capacity**	Model #	B	C	D	E	F	G	H	J	K	L	M	N	P	Q	R
tons		in	in	in	in	in	in	in	in	in	in	in	in	in	in	in
1/4 & 1/2	B3222	4-1/4	5-7/8	3/16	13/16	2-3/4	3-3/8	7	1-1/8	3-3/8	1-13/16	11/16	7/8	3	-	-
1	B3224	4-3/8	6	3/16	13/16	2-3/4	3-3/8	7	1-1/8	3-1/2	1-5/8	7/8	1	3-1/8	-	-
1-1/2 & 2	B3226	5-5/8	7-1/2	3/8	2-3/16	3-1/2	4-1/2	9	1-1/2	4-3/8	2	1-1/8	1-1/4	3-7/8	-	-
3	B3230	6-3/16	8-1/16	11/16	4-1/16	3-1/2	4-1/2	9	1-5/8	4-13/16	2-5/8	1-1/8	1-1/4	4-15/16	1/8	1-7/8

\* All capacities can be supplied for S-beams larger than listed and also for wide flange beams, rails or track with approximately equivalent flange widths

\*\* Dimensions given are for minimum S-beam and will vary with larger beams

## Push and Hand-Geared Trolleys



- Capacities 1/4 - 25 tons
- Heavy rolled steel side frames extend beyond the wheels providing superior strength and added protection for trackwheels
- Thick section steel clevis suspended from steel equalizer pin. Alloy steel axles and equalizer pins are heat treated for maximum strength and wear life.
- Trolley wheels are fully machined from alloy cast iron and hardened for high strength and long service life. Units 1/4 through 16 tons employ universal wheel treads for use on flat or tapered beam flanges. 25 ton model operates on American Standard I-beams with tapered flanges. For patented track, consult factory.
- Lifetime lubricated, precision ball bearings standard on units through 3 ton capacity. 4 ton trolleys and greater feature eight, sealed Timken, tapered roller bearings and grease fittings.
- On hand-g geared models, a hand chain operated wheel turns a machined steel drive pinion, engaging the two geared wheels.

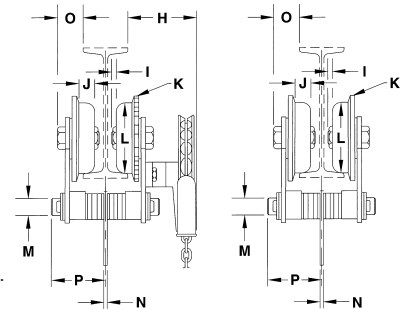
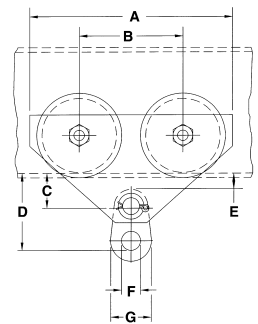
### Specifications & Dimensions

Capacity tons	Model #		Beam Height in	Flange Width in	Minimum Radius Curve in	Net Weight lbs	
	Plain	Geared				Plain	Geared
1/4	1641-0025	1642-0025	4-12	2.66-5.00	20	23	38
1/2	1641-0050	1642-0050	4-12	2.66-5.00	20	23	38
1	1641-0100	1642-0100	5-12	3.00-6.00	24	43	62
1-1/2	1641-0150	1642-0200	5-12	3.00-6.00	24	45	65
2	1641-0200	1642-0300	6-18	3.33-6.25	30	67	90
3	1641-0300	1642-0400	6-18	3.33-6.25	30	70	93
4	1641-0400	1642-0500	8-24	4.00-7.00	36	155	184
5	1641-0500	1642-0600	8-24	4.00-7.00	36	160	188
6	1641-0600	1642-0800	8-24	4.00-7.00	36	160	188
8	1641-0800	1642-1000	10-24	4.62-8.00	60	300	347
10	1641-1000	1642-1200	10-24	4.62-8.00	60	310	360
12	1641-1200	1641-1600	10-24	4.62-8.00	60	310	360
16	1641-1600	1641-1600	18-24	6.00-8.00	96	800	895
20	1642-2000	1642-2000	18-24	6.00-8.00	96	845	955
25	1631-2500	1632-2500	18-24	6.00-8.00	120	1045	1200

Note: Wheels with convex treads are standard on all capacities 1/4 - 20.

20, 25, 30 and 40 ton trolleys can be furnished in tandem construction - Dimensions for 30 thru 50 ton upon request.

Dimensions shown are for minimum beam size and will vary proportionately for larger beams.



Capacity tons	A in	B in	C in	D in	E in	F in	G in	H in	I in	J in	K in	L in	M in	N in	O in	P in
1/4	11-1/2	6	1-7/8	4-7/8	7/8	1-3/4	2-3/4	6	-	7/8	4	2-7/8	1	1/4	2	4-1/8
1/2	11-1/2	6	1-7/8	4-7/8	7/8	1-3/4	2-3/4	6	-	7/8	4	2-7/8	1	1/4	2	4-1/8
1	13-1/4	6-3/4	2-1/4	5-3/8	1	1-3/4	3	6-1/8	-	1-1/8	5	3-3/4	1-1/4	1/4	1-3/4	4-3/4
1-1/2	13-1/4	6-3/4	2-1/4	5-3/8	1	2	3-1/4	6-1/8	-	1-1/8	5	3-3/4	1-1/4	3/8	1-3/4	4-3/4
2	15-5/8	7-5/8	2-5/8	6-3/4	1-1/8	2-1/8	3-5/8	6-1/8	-	1-1/8	6	4-1/2	1-1/2	3/8	2-1/8	5-1/4
3	15-5/8	7-5/8	2-5/8	6-7/8	1-1/8	2-1/4	4	6-1/8	-	1-1/8	6	4-1/2	1-1/2	1/2	2-1/8	5-1/4
4	18-3/4	8-1/2	3-1/4	8-3/8	1-1/4	2-3/4	4-3/4	8-1/8	1/8	1-3/8	8	6-3/8	2	5/8	2-5/8	6-1/8
5	18-3/4	8-1/2	3-1/4	8-5/8	1-1/4	3	5-1/2	8-1/8	1/8	1-3/8	8	6-3/8	2	5/8	2-5/8	6-1/8
6	18-3/4	8-1/2	3-1/4	8-5/8	1-1/4	3	5-1/2	8-1/8	1/8	1-3/8	8	6-3/8	2	5/8	2-5/8	6-1/8
8	23-5/8	10-5/8	3-7/8	10-5/8	1-3/8	3-1/2	6-1/2	9	1/8	1-11/16	10	8-1/4	2-1/2	3/4	3-1/4	6-7/8
10	23-5/8	10-5/8	3-7/8	11-1/8	1-3/8	4-1/2	8	9	1/8	1-11/16	10	8-1/4	2-1/2	1	3-1/4	6-7/8
12	23-5/8	10-5/8	3-7/8	11-1/8	1-3/8	4-1/2	8	9	1/8	1-11/16	10	8-1/4	2-1/2	1	3-1/4	6-7/8
16	28	12	4-3/4	13-3/4	1-7/16	4	9	10-11/16	1/4	1-3/4	11-11/16	9-3/4	3-1/4	1-1/4	4-5/8	7-5/8
20	28	12	4-3/4	16-3/4	1-7/16	4-1/2	10	10-11/16	1/4	1-3/4	11-11/16	9-3/4	3-1/4	1-1/4	4-5/8	7-5/8
25	28-1/4	14	5-7/8	16-3/4	2-1/8	4	10	14-1/2	5/16	2	13-1/2	11-3/4	3-1/4	1-3/4	7	8-1/4

Note: For wide flange beam adaptation, patented track or for beams larger than standard consult factory

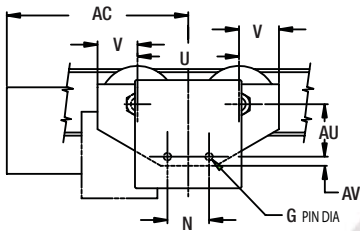
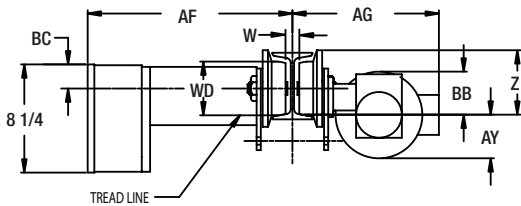
For geared trolley weight is shown less chain. 8ft standard zinc plated hand chain drop on geared trolley. Specify curve on order

# Motor Driven Trolley

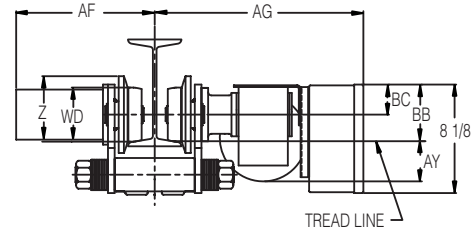


- Steel frame side plates extend beyond the wheels for end stop contacts. Side plates have tapped holes for collector bracket attachment. Optional safety drop stops and bumpers.
- Wheels are forged heat-treated steel with contour tread for use on American Standard I-beam or wide flange beams.
- Traverse motor is 30-minute rated, totally enclosed non-ventilated with class "F" insulation and TAS as standard.
- Traverse gearing is housed in a heavy duty right angle drive reducer with output pinion meshing with machine cut wheel gears.
- Trolley controls are housed in a NEMA 1 enclosed panel mounted on the trolley side for easy access. The controls include a reversing contractor, terminal strip and NEMA 4X pendant station with hoist and trolley push-button controls as standard.

## 1/4 to 1 & 2 ton

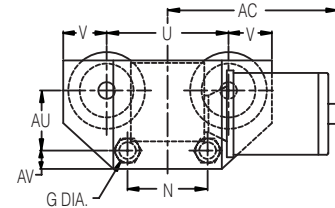


## 3 ton



## Specifications & Dimensions

Capacity	Model #	Standard Width Adjustment	Optional Flange Extended Adjustment		Trolley Speed	Optional Standard Speeds	Special Speed	Motor
			1st Extension	2nd Extension				
1/4 to 1	MDT01	3 to 5	5-1/8 to 7-1/4	7-1/2 to 9-1/8	75	50 & 100	25, 150	1/4
2	MDT02	3-5/8 to 6	6-1/4 to 8-5/8	8-7/8 to 11-1/4	60	40 & 80	30, 120	1/4
3	MDT03	4 to 6-1/4	6-3/8 to 8-5/8	8-3/4 to 11	50	75 & 100	25, 125	1/4



Capacity	Model #	AC	AF Max	AG Max	AU	AV	AY	BB Max	BC	G Dia	N	U	V	Z	WD	Min Radius
tons		in	in	in	in	in	in	in	in	in	in	in	in	in	in	ft.
1/4 to 1	MDT01	12	16-7/8	12-1/2	3-7/8	3/4	2-9/16	3-1/8	1-13/16	5/8	3-1/8	7-3/4	3	4-7/8	4	3
2	MDT02	12	16-7/8	12-1/2	4-1/8	1-15/16	1-15/16	2-1/16	2-7/16	1	5	9-1/8	3	4-7/8	4	4
3	MDT03	13-1/2	11-1/2	16-3/4	4-1/2	1-3/8	3	4-1/4	2-1/4	1-1/4	6	9-1/8	3-1/4	4-15/16	4	4

Always specify voltage when ordering. Voltages available: 115/230-1-60, 208-230/460-3-60, 575-3-60

115/230-1-60 is not available on trolleys for two speed hoists or two speed trolley.

Two speed trolleys have a 3:1 speed ratio. Standard pendant drop from trolley is 7 feet. Longer cables are available.

Trolleys are equipped with 3-foot length power supply cable. Longer lengths are available.

## Budgit Hoists Offers

In addition to the diverse line of hoists outlined in this catalog, Budgit Hoists offers an array of related products for lifting and pulling. Manual hoists with integral load limiters are prevalent in industrial settings. For construction and maintenance applications, lever tools may be used to secure loads during repair and positioning work. Special products such as spark-resistant hoist and trolley combinations are used in sensitive environments. The versatile products from Budgit Hoists are designed to tackle a variety of material handling needs with smooth, dependable efficiency.



**Load Lifter Series 622**  
Hand Chain  
Capacities 1/2 to 10 Ton

- Flugged steel frame construction
- Enclosed housing allows outdoor use
- Weston-type load brake requires no lubrication
- 2-stage gears and pinion
- Roller and ball bearings



**Series USA** Hand Chain  
Capacities 1/4 to 6 tons

- Standard lift 8" (other lifts available)
- Portable - light weight housing
- Overload device - standard
- One-piece steel load sprocket and sprocket gear
- Hook latches on all models
- Spark & corrosion resistant models
- A real "made in america" competitor



**Model AM**  
Army Type Hand Chain  
Capacities 1/4 to 5 Ton

- Compact design for low headroom applications
- Steel construction
- Metric rated
- Cast iron trolley wheels with precision ball bearings

Hand Chain



Lever



**Tugit® Series 653**  
Lever hoist  
Capacities 3/4 to 6 Ton

- Impact resistant, stamped steel frame, gear case & cover
- Light weight design
- Double-pawl arrangement for assured load control
- Weston-type braking system
- Shipyard hook option available



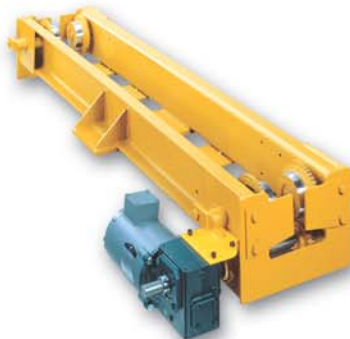
**Tugit® Series 602 & 603**  
Lever Hoist  
Capacities 550 to 1100 lbs.

- Small compact design. Use in confined conditions
- Weston-type load brake
- Impact resistant, all steel frame
- Free wheeling feature
- Metric rated



**Single Girder Top-Running Components**  
Capacities up to 5 Tons

- Maximum bridge span up to 48' for dual drive configuration
- Push, hand-gear and motorized models available
- High strength ductile iron wheels are hardened to 220 BHN for long life
- Wheel variations allow truck to run on either ASE rail or square bar runways
- Long life worm gear drive reducer provides smooth acceleration and deceleration minimizing load swing
- Precision lifetime lubricated ball bearings  
Drive motors are NEMA design 30 minute rated TENV with class 'F' insulation with overload protection as standard
- Frame is robot welded for true alignment and rigidity



**Single Girder Under Running Components**  
Capacities up to 5 Tons

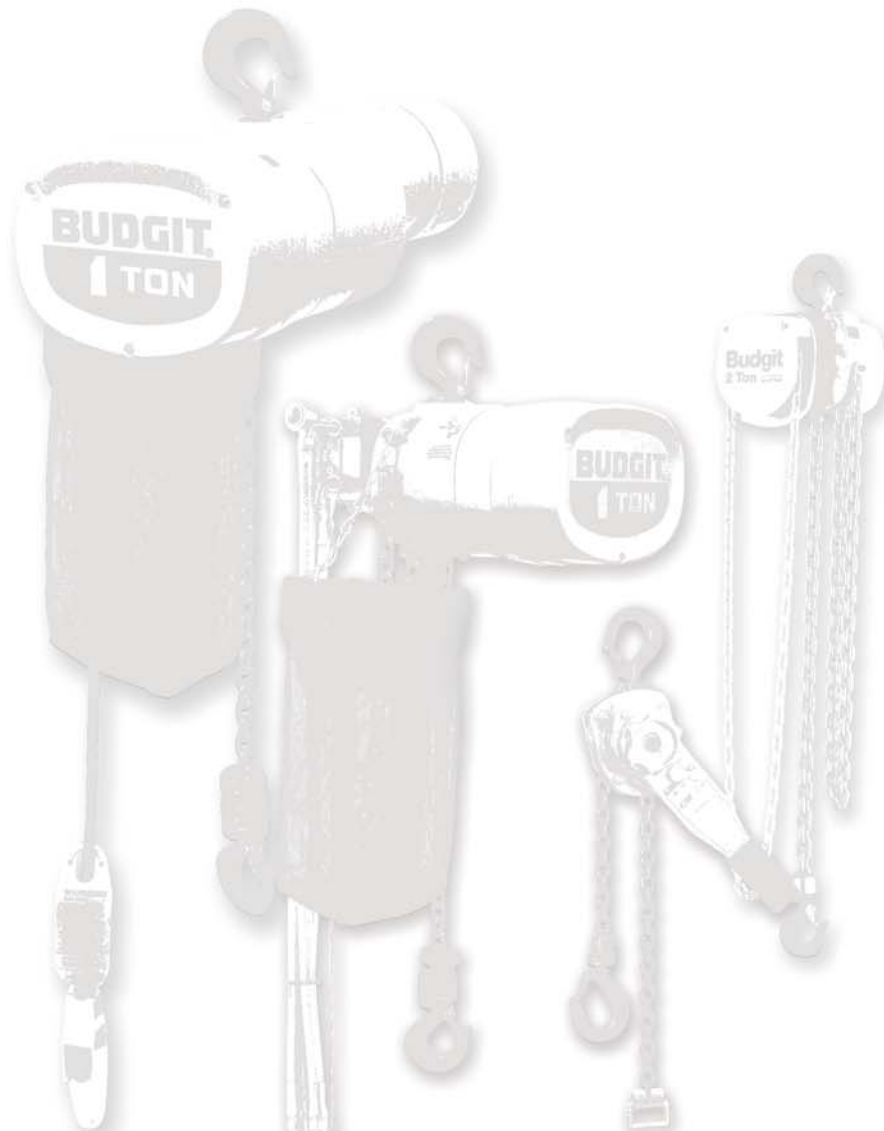
- Maximum bridge span up to 48' for 3 Ton dual drive and 36' for 5 Ton
- Push, hand-gear and motorized models available
- Long life steel wheels are hardened to 300 BHN. Dual contour tread allows for operation on either I beam or wide flange runways
- Spark resistant features available
- Long life worm gear drive reducer provides smooth acceleration and deceleration minimizing load swing.
- Precision lifetime lubricated ball bearings
- Girder pads allow for easy welded or bolted connection to bridge girder
- Drive motors are NEMA design 30 minute rated TENV with class 'F' insulation with overload protection as standard
- Frame is robot welded for true alignment and rigidity



**Under-Running Angle Type End truck**  
Capacities up to 2 Tons

- Maximum bridge span up to 30'
- Economically priced
- Heavy steel angle construction
- Pressed steel or forged steel wheels
- Bolted steel safety lugs standard
- Kit consists of one pair of end trucks & required hardware for attaching truck frames to bridge beam

Bridge Crane



Distributed by Ergonomic Partners  
Sales@ErgonomicPartners.com  
[www.ErgonomicPartners.com](http://www.ErgonomicPartners.com)  
Tel: 314-884-8884

UNSURPASSED **VALUE** WITH A **BUDGIT**

**⚠ WARNING**

**To avoid injury:**

- Do not exceed working load limit, load rating, or capacity.
- Do not use to lift people or loads over people.
- Read and follow all instructions

**BUDGIT<sup>®</sup>**  
**Hoists**

*A Columbus McKinnon Brand*

**Stock Number** LT/BC-AP1000  
LT 2/09 MU  
Printed in USA