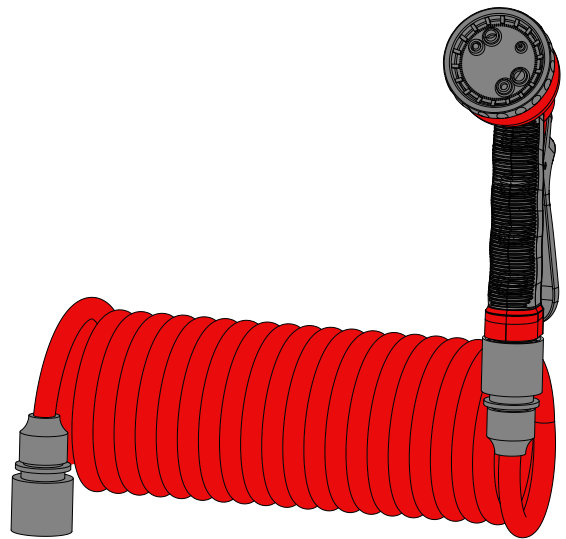
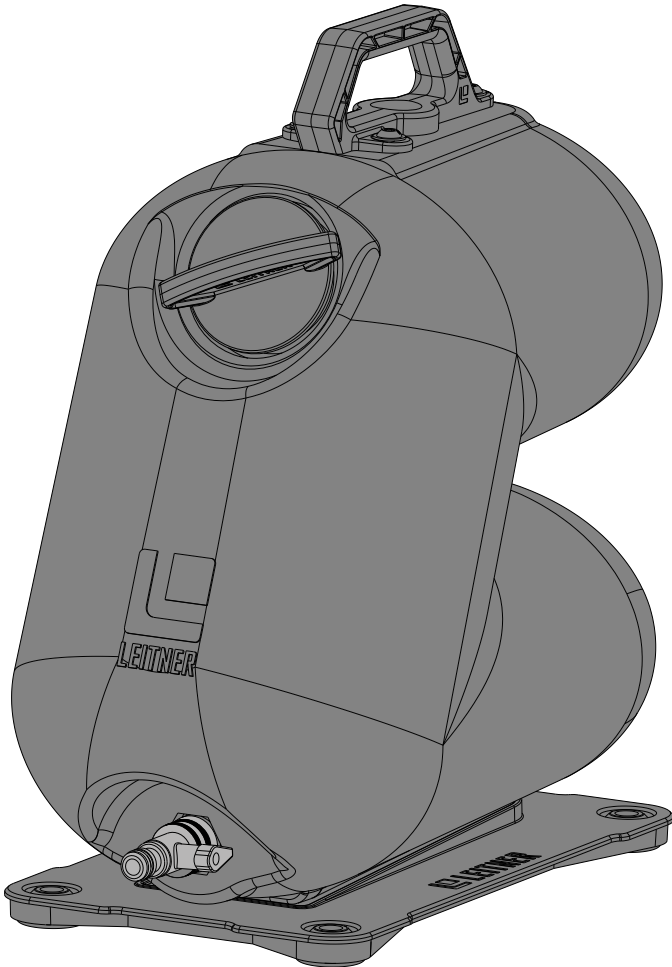


# LEITNER



## HYDRO POD CARRY

[LEITNERDESIGNS.COM](http://LEITNERDESIGNS.COM) | [SUPPORT@LEITNERDESIGNS.COM](mailto:SUPPORT@LEITNERDESIGNS.COM) | 949-395-3049

# ASSEMBLY / INSTALLATION INSTRUCTIONS:

**PART NUMBER:**

00-HPC-1488

---

**TOOLS REQUIRED**

- 5MM ALLEN WRENCH

**INSTALLATION TIME**

**10-15 MINUTES**

BASIC KNOWLEDGE OF HAND TOOLS REQUIRED

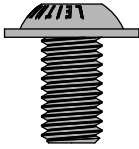
**SKILL LEVEL**



1= EASY

---

## ▼ HYDRO POD CARRY HARDWARE ▼



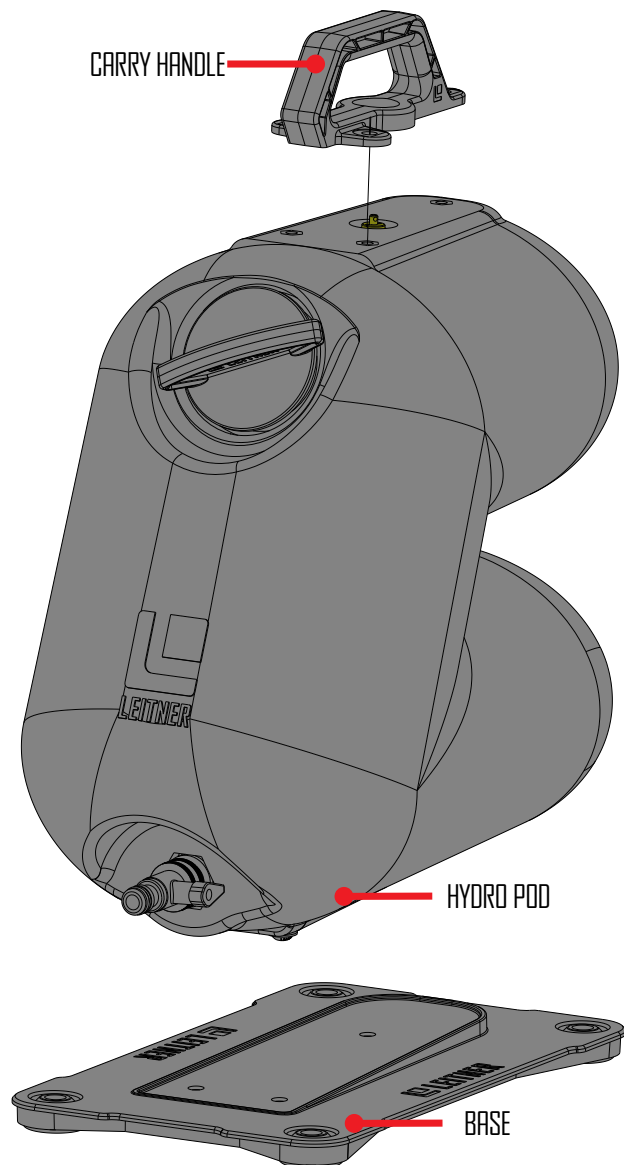
MB X 14  
(X6)

# ▼ READ BEFORE ASSEMBLING HYDRO POD CARRY ▼

1. DON'T OVER-TIGHTEN BOLTS.

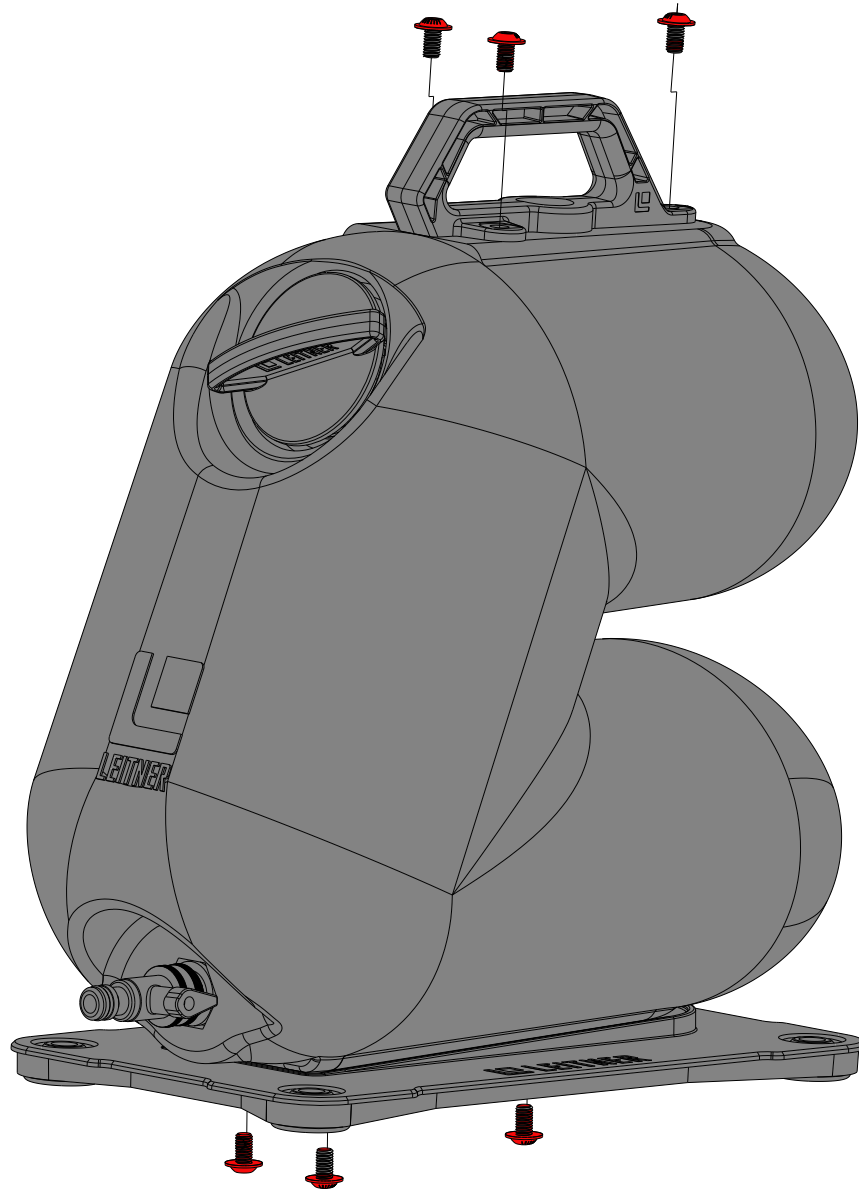
2. TAKE YOUR TIME TO DO IT RIGHT.

## ▼ ASSEMBLY OVERVIEW ▼



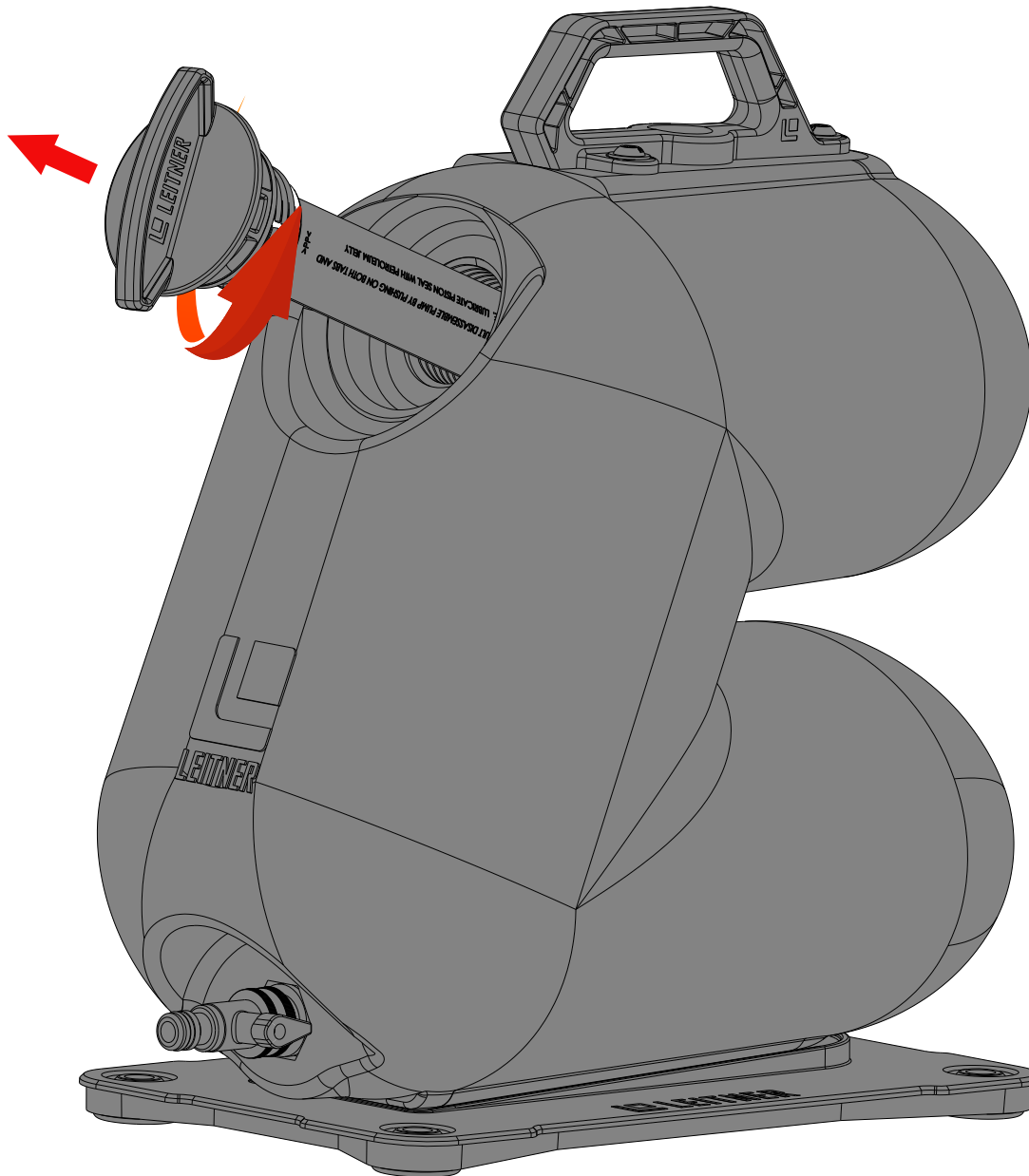
# ATTACH HANDLE AND BASE: INSTALL M8 BOLTS

- PLACE BASE ON BOTTOM OF HYDRO POD AND SECURE WITH THREE M8 X 14 SCREWS.
- PLACE HANDLE ON TOP OF HYDRO POD AND SECURE WITH REMAINING THREE M8 X 14 SCREWS.
- TIGHTEN THE SCREWS USING A 5MM ALLEN WRENCH TO NO MORE THAN 10 FT-LB



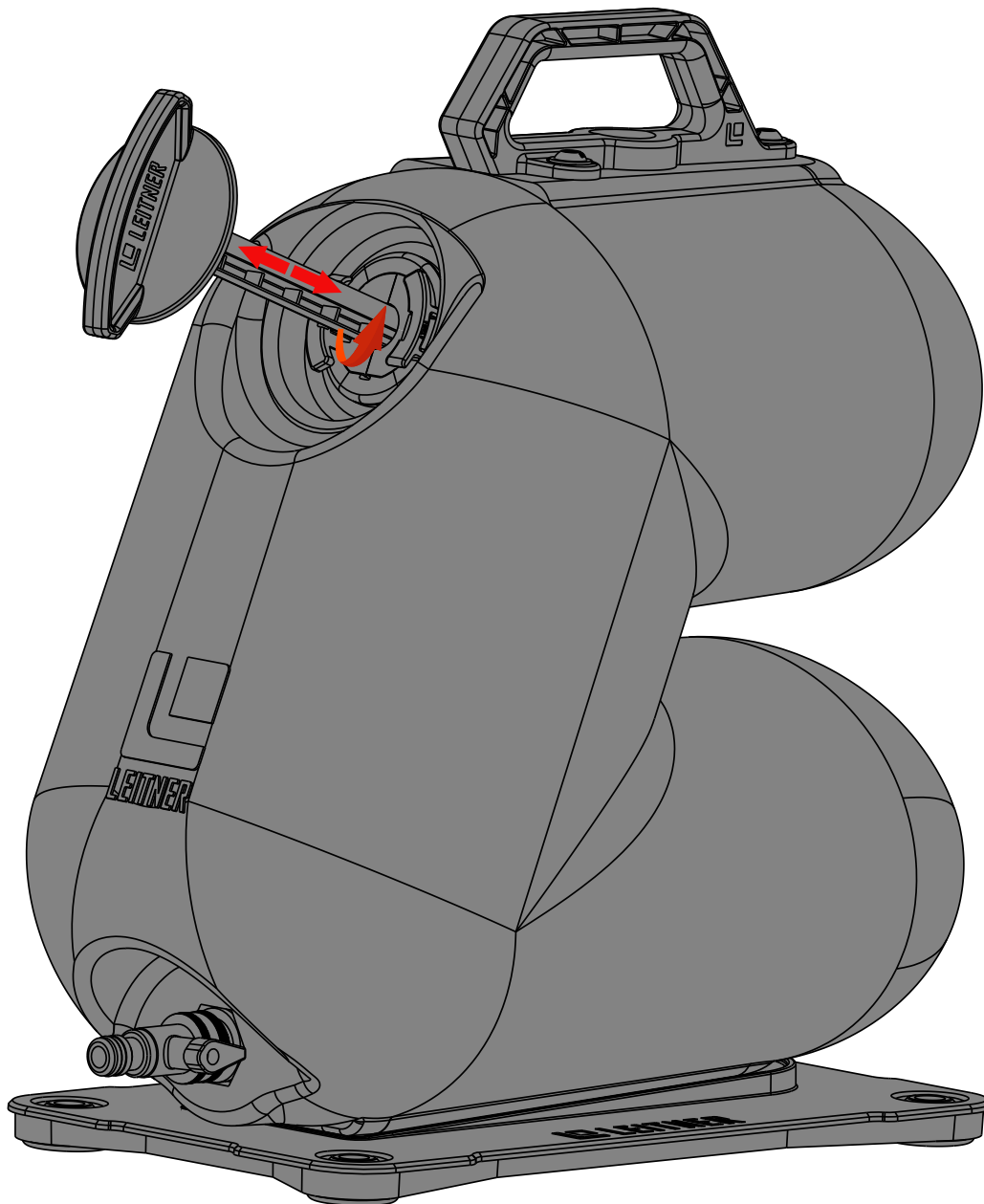
# FILL HYDRO POD: REMOVE PUMP

- TURN PUMP HANDLE COUNTER CLOCKWISE 5-6 TURNS TO UNSCREW PUMP. THIS WILL TAKE SOME FORCE.
- REMOVE PUMP AND USE HOSE TO FILL HYDRO POD TILL IT OVERFLOWS THROUGH FILL PORT.
- RE-INSTALL PUMP AND TIGHTEN.



# PRESSURIZE HYDRO POD: 40-60 PUMPS

- UN-LOCK PUMP BY TURNING 1/4 TURN COUNTER CLOCKWISE.
- PULL ON HANDLE AND PRESSURIZE HYDRO POD WITH 40-60 PUMPS TO BUILD PROPER PRESSURE. DON'T WORRY YOU CAN'T OVER PRESSURIZE THE SYSTEM SO FEEL FREE TO PUMP UNTIL THE PRESSURE IS TO YOUR LIKING.
- WHEN FINISHED, PUSH PUMP HANDLE ALL THE WAY DOWN AND LOCK IN PLACE WITH A 1/4 TURN CLOCKWISE.



# USE GUIDELINES

WHEN USING LEITNER DESIGNS CARRIERS AND ACCESSORIES, THE USER MUST UNDERSTAND THE PRECAUTIONS. THE POINTS LISTED BELOW WILL ASSIST YOU IN USING THE RACK SYSTEM AND WILL ENCOURAGE SAFETY.

-FOR QUALITY FITS AND SAFETY, USE ONLY THE RECOMMENDED RACK OR ACCESSORIES. DO NOT ASSUME A RACK WILL FIT, ALWAYS CHECK THE CURRENT FIT GUIDE WHEN OBTAINING A NEW VEHICLE.

-NEVER FILL THE HYDROD WITH ANYTHING OTHER THAN FRESH CLEAN POTABLE WATER.

-HIGH SPEED OFF ROAD DRIVING EVEN WITH A LIGHT LOAD CAN CAUSE DAMAGE TO THE RACK, ACCESSORIES AND VEHICLE BODY. DAMAGE CAUSED BY HIGH SPEED DRIVING AND ABUSE IS NOT COVERED UNDER WARRANTY.

-MAKE SURE ALL KNOBS, BOLTS, SCREWS, STRAPS, AND LOCKS ARE FIRMLY ATTACHED, TIGHTENED AND LOCKED BEFORE EVERY TRIP. KNOBS, BOLTS, SCREWS, STRAPS AND LOCKS MUST BE PERIODICALLY INSPECTED FOR SIGNS OF WEAR, CORROSION, AND FATIGUE. CHECK YOUR LOAD AT STOPS DURING THE TRIP TO ENSURE CONTINUED FASTENING SECURITY.

-CHECK LOCAL AND STATE LAWS GOVERNING PROJECTION OF OBJECTS BEYOND THE PERIMETER OF A VEHICLE. BE AWARE OF THE WIDTH AND HEIGHT OF YOUR CARGO SINCE LOW CLEARANCE BRANCHES, BRIDGES, AND PARKING GARAGES CAN AFFECT THE LOAD. ALL CARGO WILL AFFECT THE VEHICLE'S DRIVING BEHAVIOR. NEVER DRIVE WITH ANY LOCK, KNOB OR RACK IN AN OPEN OR UNLOCKED POSITION. ALL LONG LOADS SUCH AS, BUT NOT LIMITED TO, SAILBOARDS, SURFBOARDS, KAYAKS, CANOES, AND LUMBER MUST BE TIED DOWN FRONT AND REAR TO THE BUMPERS OR TOW HOOKS OF THE VEHICLE.

-ALL LOCKS MUST BE TURNED AND MOVED PERIODICALLY TO ENSURE SMOOTH OPERATION. USE GRAPHITE OR DRY LUBRICANT TO HELP THIS. LEITNER DESIGNS LOCKS ARE DESIGNED TO DETER VANDALISM AND THEFT BUT SHOULD NOT BE CONSIDERED THEFT PROOF. REMOVE VALUABLE GEAR IF YOUR VEHICLE IS UNATTENDED FOR AN EXTENDED PERIOD. PLACE AT LEAST ONE KEY IN THE GLOVE COMPARTMENT.

-FOR SAFETY TO YOUR VEHICLE AND RACK SYSTEM, OBEY ALL POSTED SPEED LIMITS AND TRAFFIC CAUTIONS. ADAPT YOUR SPEED TO THE CONDITIONS OF THE ROAD AND THE LOAD BEING CARRIED.

-DO NOT USE LEITNER DESIGNS LOAD CARRIERS AND ACCESSORIES FOR PURPOSES OTHER THAN THOSE FOR WHICH THEY WERE DESIGNED. DO NOT EXCEED THEIR CARRYING CAPACITY. FAILURE TO FOLLOW THESE GUIDELINES OR THE PRODUCT'S INSTRUCTIONS WILL VOID THE WARRANTY.

# WARRANTY

LEITNER DESIGNS WARRANTS PRODUCT TO BE FREE FROM DEFECTS IN MATERIAL AND WORKMANSHIP, FOR TERMS SPECIFIED BELOW, PROVIDED THERE HAS BEEN NORMAL USE AND PROPER MAINTENANCE. ALL REMEDIES UNDER THIS WARRANTY ARE LIMITED TO THE REPAIR OR REPLACEMENT OF ANY ITEM FOUND BY THE FACTORY TO BE DEFECTIVE WITHIN THE TIME PERIOD SPECIFIED. IF YOU HAVE A WARRANTY CLAIM, FIRST YOU MUST CALL OUR FACTORY AT THE NUMBER BELOW FOR INSTRUCTIONS. YOU MUST RETAIN PROOF OF PURCHASE AND SUBMIT A COPY WITH ANY ITEMS RETURNED FOR WARRANTY WORK. UPON COMPLETION OF WARRANTY WORK, IF ANY, WE WILL RETURN THE REPAIRED OR REPLACED ITEM OR ITEMS TO YOU FREIGHT PREPAID. DAMAGE TO OUR PRODUCTS CAUSED BY ACCIDENTS, FIRE, VANDALISM, NEGLIGENCE, MIS-INSTALLATION, MISUSE, ACTS OF GOD, OR BY DEFECTIVE PARTS NOT MANUFACTURED BY US, IS NOT COVERED UNDER THIS WARRANTY.

**THE WARRANTY TIME PERIOD IS AS FOLLOWS: (1) ONE YEAR FROM DATE OF PURCHASE.**

**HIGH SPEED OFF ROAD DRIVING EVEN WITH A LIGHT LOAD CAN CAUSE DAMAGE TO THE RACK, ACCESSORIES AND VEHICLE BODY. DAMAGE CAUSED BY HIGH SPEED OFF ROAD DRIVING AND ABUSE IS NOT COVERED UNDER WARRANTY.**

**FILLING THE HYDROPOD WITH ANYTHING OTHER THAN FRESH CLEAN POTABLE WATER WILL VOID THE WARRANTY.**

ANY IMPLIED WARRANTIES OF MERCHANTABILITY AND/OR FITNESS FOR A PARTICULAR PURPOSE CREATED HEREBY ARE LIMITED IN DURATION TO THE SAME DURATION AND SCOPE AS THE EXPRESS WRITTEN WARRANTY. OUR COMPANY SHALL NOT BE LIABLE FOR ANY INCIDENTAL OR CONSEQUENTIAL DAMAGE.

SOME STATES DO NOT ALLOW LIMITATIONS ON HOW LONG AN IMPLIED WARRANTY LASTS, OR THE EXCLUSION OR LIMITATION OF INCIDENTAL OR CONSEQUENTIAL DAMAGES, SO THE ABOVE LIMITATIONS OR EXCLUSIONS MAY NOT APPLY TO YOU. THIS WARRANTY GIVES YOU SPECIFIC LEGAL RIGHTS, AND YOU MAY ALSO HAVE OTHER RIGHTS THAT VARY FROM STATE TO STATE.

FOR WARRANTY ISSUES WITH THIS PRODUCT PLEASE CALL LEITNER DESIGNS CUSTOMER SERVICE **949-395-3049** OR EMAIL US AT **SUPPORT@LEITNERDESIGNS.COM**