

Prominence™ Docking Light and Vivid™ Flood Light

INSTALLATION INSTRUCTIONS

Part#: 69394 and 69383FF

PARTS/TOOLS NEEDED:

		
Prominence™ Docking Light and Vivid™ Flood Light	Hole Saw Bit (not provided)	Power Drill (not provided)

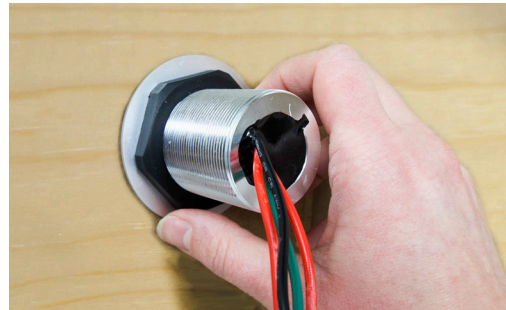
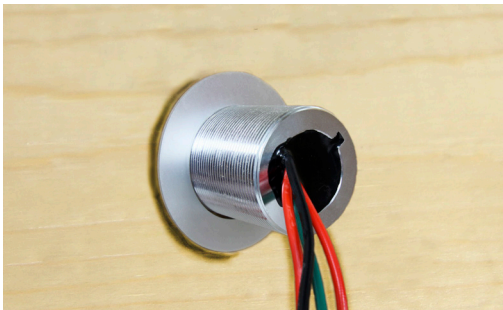
IMPORTANT SAFETY INSTRUCTIONS. READ CAREFULLY FOR YOUR PROTECTION AND SAVE ALL INSTRUCTIONS.

- Disconnect power before installing, adding or changing any component.
- To avoid a hazard to children, account for all parts and destroy all packing materials.
- It is recommended that fuse protection be added to the positive (+) input.

GENERAL NOTES

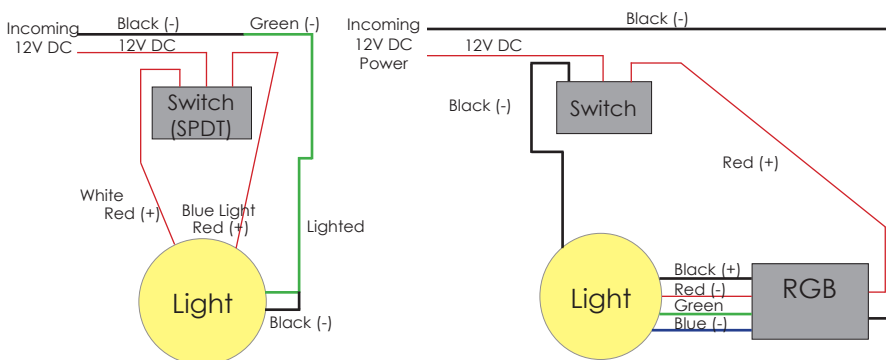
- The Vivid Flood Light is 2.6" Dia. x 1" D while the Prominence Docking Light is 2.6" Dia. x 2.8" D, 0.6". For more information about the technical specifications please see the Vivid or the Prominence literature sheets.

1. Determine the installation location and drill a 1-1/2" hole. Remove the plastic nut and washer from the back of the light and push the light into the hole. Slide the washer back onto the light and tighten the nut.

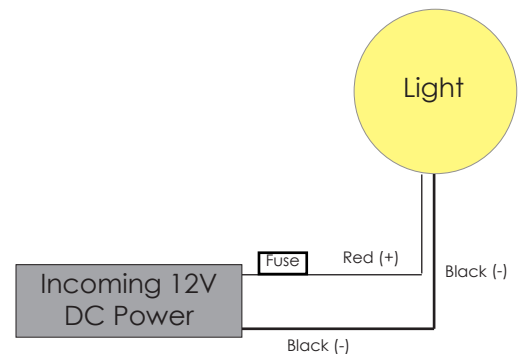


2. Use the wiring diagrams below to wire the light.

Prominence wiring diagrams



Vivid wiring diagram



3030 Corporate Grove Dr.
Hudsonville, MI 49426
Phone: 616.396.1355
itc-us.com

For warranty information please visit www.itc-us.com/warranty-return-policy
DOC #: 710-00202 · Rev B · 10/24/22