

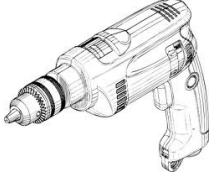



# Oblong Courtesy Light

Part#: 69365

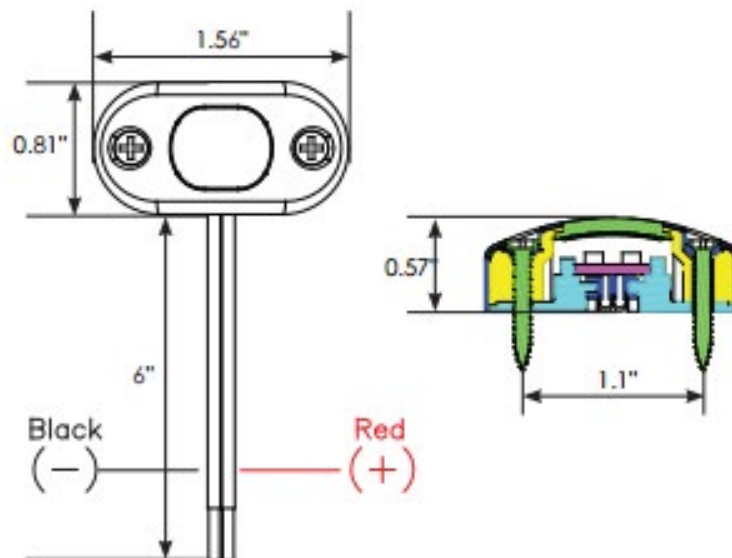
## INSTALLATION INSTRUCTIONS

PARTS NEEDED:			
			
Courtesy Light	Mounting Screws	Power Drill (not provided)	Wire Nuts (not provided)

### Safety Instructions

- Disconnect power before installing, adding or changing any component.
- To avoid a hazard to children, account for all parts and destroy all packing materials.
- LEDs are polarity sensitive and will not light if not attached properly
- Operating Voltage: 10 - 14V DC

1. - Drill hole in mounting surface for wires
  - Mark screw holes on light onto surface and pre-drill if necessary
  - Attach wires to the power source. Red is positive and black is neutral
  - Screw light to mounting surface until secure



3030 Corporate Grove Dr.  
Hudsonville, MI 49426  
Phone: 616.396.1355  
[itc-us.com](http://itc-us.com)

For warranty information please visit [www.itc-us.com/warranty-return-policy](http://www.itc-us.com/warranty-return-policy)  
Rev B · 07/20/16