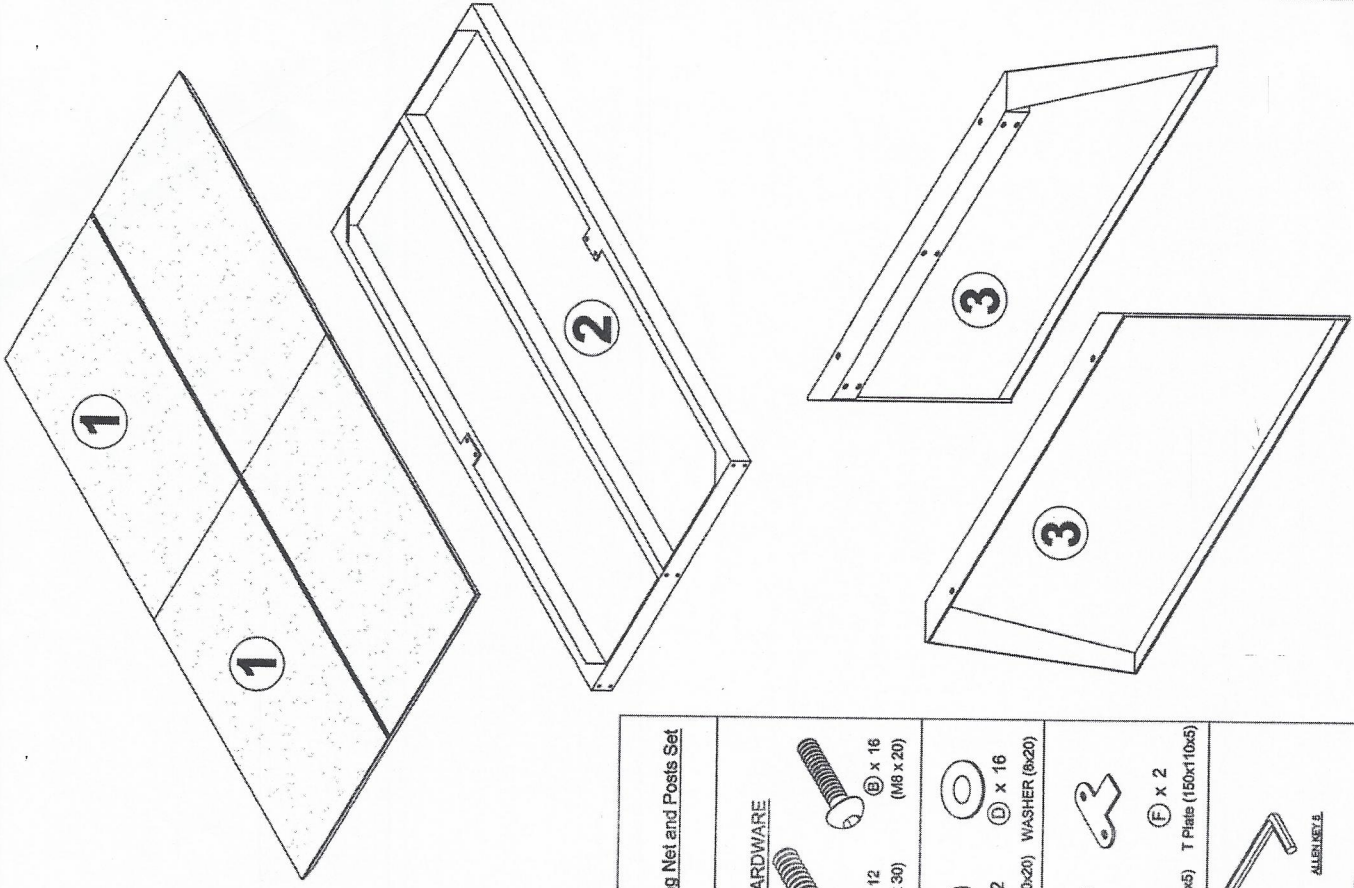
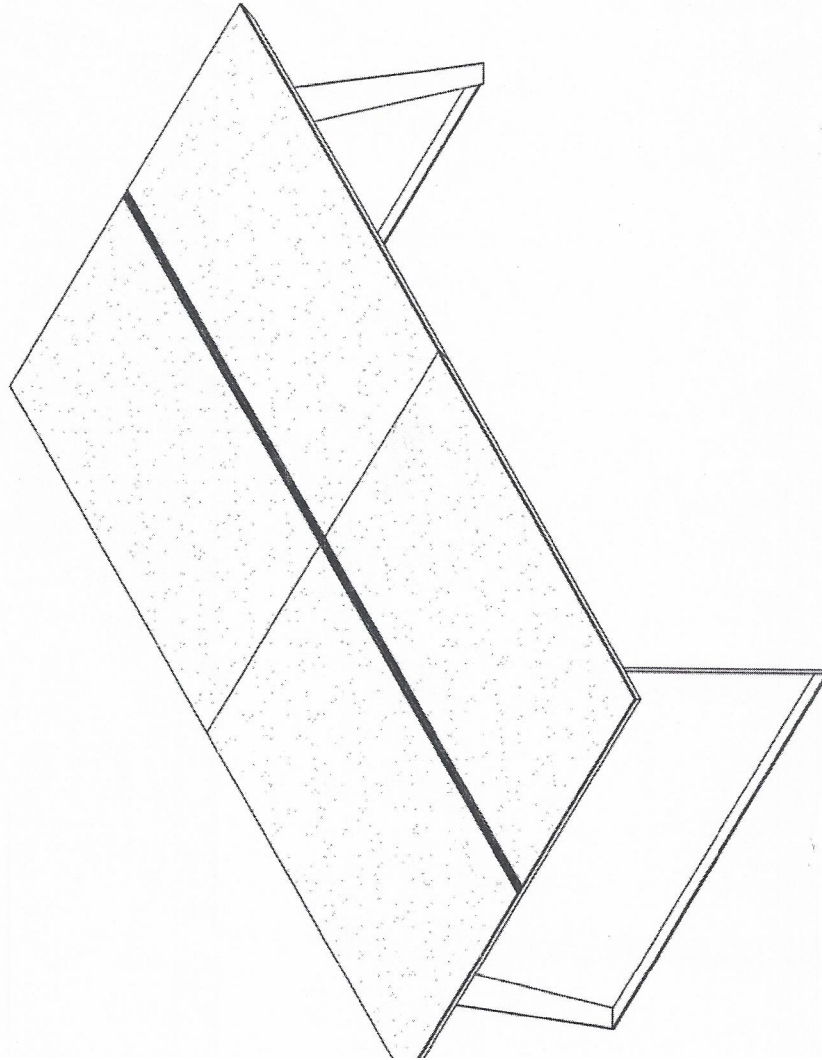


ASSEMBLY INSTRUCTION

TENNIS TABLE



Ping Pong Net and Posts Set

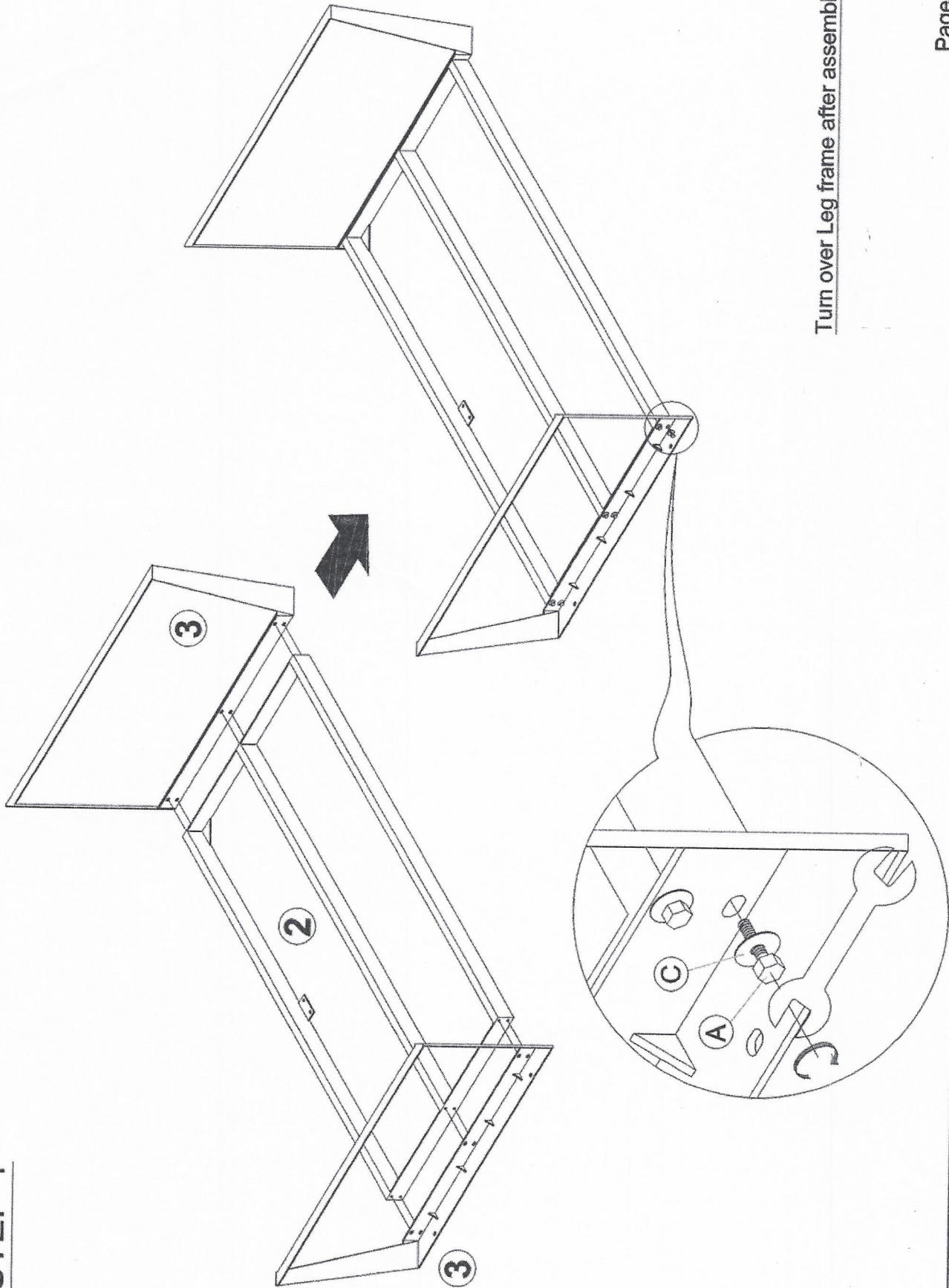
HARDWARE

- A** x 12 (M10 x 30)
- B** x 16 (M8 x 20)
- C** x 12 WASHER (10x20)
- D** x 16 WASHER (8x20)
- E** x 2 Plate (150x50x5)
- F** x 2 T Plate (150x110x5)

TOOL

- ALLEN KEY 5
- WRENCH 13

STEP 1



Turn over Leg frame after assembly

STEP 2

Caution:

- * When attaching the tabletop, put all screws lightly in place before tightening them.
- * To protect the cement tabletop, do not use too much force when tightening the screws.

