



BLATT BILLIARDS

NEW YORK CITY, EST. 1923



Bespoke Marble Billiards Table



our mission & method

mission

For 97 years, Blatt Billiards' has provided our clients an elevated billiards experience with superb quality, and pride. We have accomplished this by virtue of our three core principles: superior hand craftsmanship, excellent customer service, and attention to industry traditions.



Four generations of commitment.

method

Blatt Billiards dismisses all mass construction shortcuts in favor of creating time-tested handmade individual works of art. Here, we continue to handcraft custom pool tables the way they were crafted over a century ago. It is our core character values to take the necessary time and steps that make Blatt Billiards' tables the finest pool tables in the world.



— form meets function —



form

Our stone billiards tables are highly engineered so that they weigh no more than a traditional wood table, and can easily be assembled and disassembled for the convenience of moving the table to a different location if desired. Quite simply, over our nearly century of operation, we have mastered the art of creating magnificent tables using dovetail joints, wooden dowels, book-matched exotic veneers, hand-tooled leather and intricate marquetry.

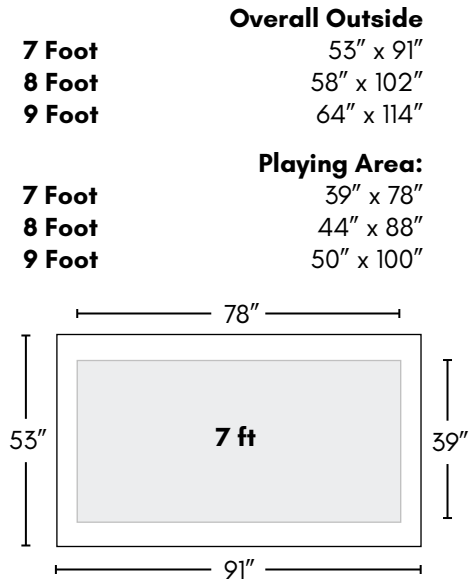
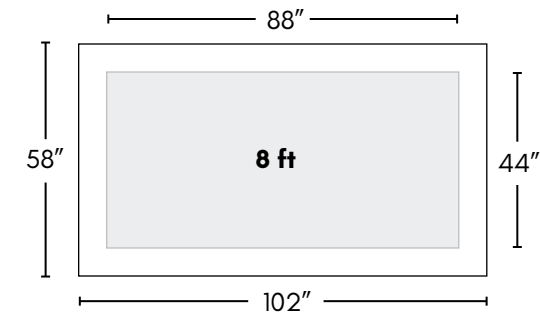
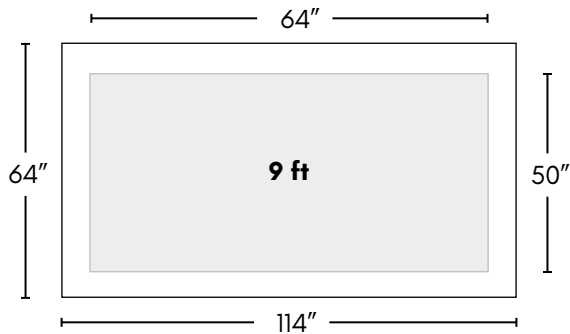
function

Before our tables can look beautiful, they must perform as perfect billiards' instruments. Our tables are regulated by The Billiards Congress of America specifications. Each table consists of perfectly diamond-honed 1" three piece Italian Slate with 3/4" Wood Framing, and Premium K-66 Profile Rubber Cushions for Accurate Rebound. We guarantee 100% customer satisfaction for life. We love our products and show respect through the quality and the attention to detail they provide.



art deco artistry
empirically tested excellence

The Astor calls to mind a different age; with strong geometric lines and an art deco aesthetic, the Astor is created with the finest Italian marble in the world. Offering six different types of marble, dining room table conversion tops, and customized cloth options.



Overall Outside

- 7 Foot 53" x 91"
- 8 Foot 58" x 102"
- 9 Foot 64" x 114"

Playing Area:

- 7 Foot 39" x 78"
- 8 Foot 44" x 88"
- 9 Foot 50" x 100"



The Astor marble table

the quadra



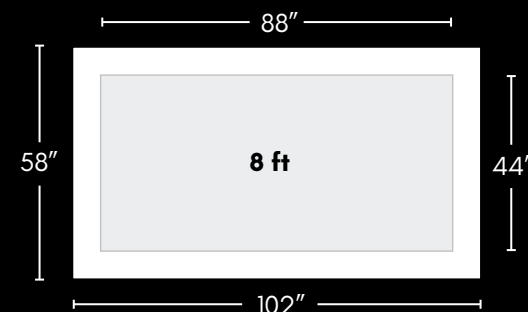
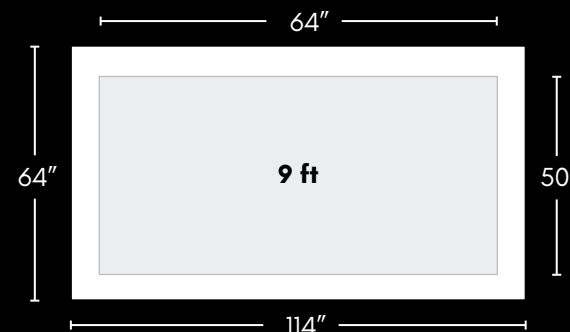
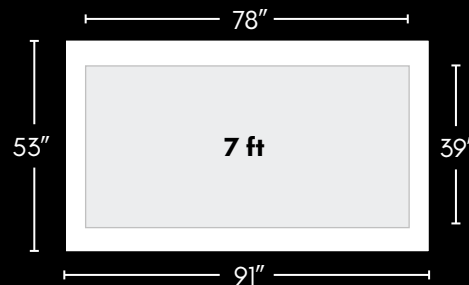
anything but square
structurally sound & svelte

The Quadra is for the rocket ship and spy movie enthusiasts. Cool Italian marble carved from whole blocks of stone. It combines the work of world class stone masters and the sleekest techniques in billiards table manufacturing. Each individual table makes its mark as a statement piece.



The Quadra marble table

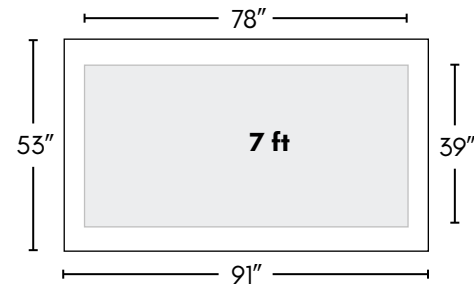
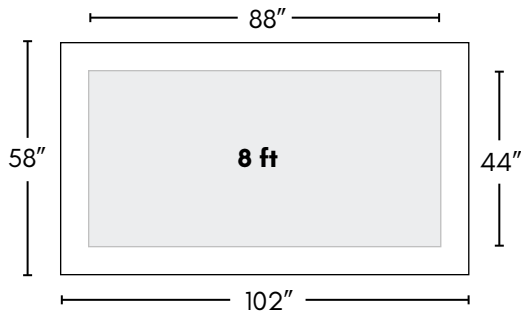
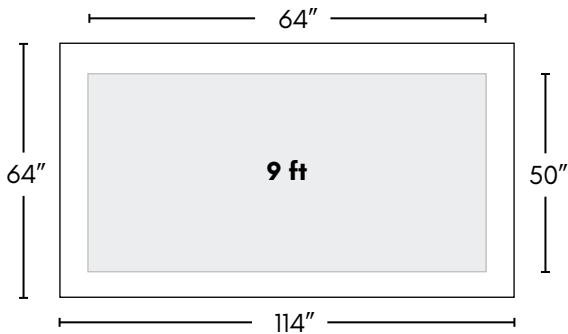
	Overall Outside	
7 Foot		53" x 91"
8 Foot		58" x 102"
9 Foot		64" x 114"
	Playing Area:	
7 Foot		39" x 78"
8 Foot		44" x 88"
9 Foot		50" x 100"



the florentino

iconically italian american attitude

The Florentino is a classic style featuring dimpled legs carved out of your choice of fine Italian marble. The statement piece to match Old World opulence, the Florentino delivers form, function and features that can be customized across the board. With its distinctly baroque Italian look, it is the perfect table to design a playing room around.



- | | | |
|---------------|------------------------|------------|
| 7 Foot | Overall Outside | 53" x 91" |
| 8 Foot | | 58" x 102" |
| 9 Foot | | 64" x 114" |
| | Playing Area: | |
| 7 Foot | | 39" x 78" |
| 8 Foot | | 44" x 88" |
| 9 Foot | | 50" x 100" |



The Astor marble table

materials & colors

premium billiards playing cloth color options

premium worsted wool cloth

Best For: Tournament Play, Speed, Accuracy, Aesthetics

Available in 26 Colors (Represent An Average Color, Subject To Variation)

Material: 90% Worsted Wool and 10% Nylon • Weight: 27oz per Linear Yard • Cut Width: 66"
Rail cloth included, but not pre-cut (Rails cut upon request) • Does not pill, tighter stretch



marble options



Bardiglio Grey
Marble



Premium Carrara
Marble



Black Moon
Marble



Rosso Levanto
Marble



Italian Beige
Travertine



Green Forest
Marble

Our team has access to the greatest selections of marble in the world. Upon request, alternative options are available.

additional accessory options

With your purchase of a pool table, choose from a variety of additional accessory options including:



cue sticks

Handmade Two Piece Maple Cue Sticks

13 mm Taper

Assorted Weights Available:

18 oz - 21 oz

Finishes:

Black, Charcoal, Brown, Red, White
(Upgrade), Green, or Blue

ball sets

High Grade Phenolic Resin
For Density, Longevity, and Accuracy
2.25" Diameter



8-ball triangles & 9 ball racks



Handmade and Finished To Order

Triangle: 14.5" x 14.5" x 14.5"

9 Ball: 8.5" x 8.5" x 8.5" x 8.5"

Finishes: Black, White, Brown or Custom

accessory kits

Includes: (6) Custom Cue Sticks, (1) Bridge Cue, Custom Triangle, Custom 9 Ball Rack, Brush, Chalk

*Finish Selections To Be Made Upon Order



Always aiming to live up to our reputation, we are very proud of the service we offer to our clients throughout the world. We put our heart and soul into what we do. With the greatest appreciation, thank you for the opportunity to share our capabilities.

BLATT BILLIARDS

NEW YORK CITY, EST. 1923
The Blatt Billiards Family



contact



330 West 38th Street
(between 8th and 9th Ave)
New York, NY 10018



(212) 674-8855



www.blattbilliards.com



info@blattbilliards.com



facebook.com/blattbilliards.com



[@blattbilliards](https://instagram.com/blattbilliards)