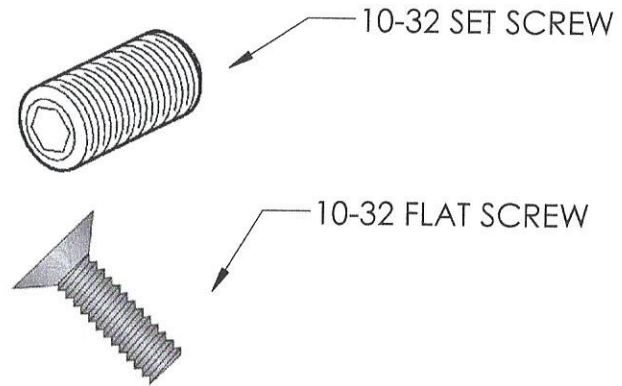


- #1 INSTALL 10-32 SET SCREW ON CAPS
- #2 TWIST CAP ON TOP BASE
- #3 INER 10-32 SET SCREW ON BOTTOM OF TOP BASE
- #4 TWIST ROUND TUBES ON TOP BASE
- #5 MOUNTING BTTM BASE ON ROUND TUBES WITH 10-32 FLAT SCREWS



PROPRIETARY AND CONFIDENTIAL
 THE INFORMATION CONTAINED IN THIS DRAWING IS THE SOLE PROPERTY OF <INSERT COMPANY NAME HERE>. ANY REPRODUCTION IN PART OR AS A WHOLE WITHOUT THE WRITTEN PERMISSION OF <INSERT COMPANY NAME HERE> IS PROHIBITED.

		UNLESS OTHERWISE SPECIFIED:		NAME	DATE	TITLE:
		DIMENSIONS ARE IN INCHES		DRAWN		
		TOLERANCES:		CHECKED		
		FRACTIONAL ±		ENG APPR.		
		ANGULAR: MACH ± BEND ±		MFG APPR.		
		TWO PLACE DECIMAL ±		Q.A.		
		THREE PLACE DECIMAL ±		COMMENTS:		
		INTERPRET GEOMETRIC TOLERANCING PER:				SIZE DWG. NO.
		MATERIAL				A FLOOR RACK #4
		FINISH				REV
NEXT ASSY	USED ON	DO NOT SCALE DRAWING				SCALE: 1:1 WEIGHT: SHEET 1 OF 1