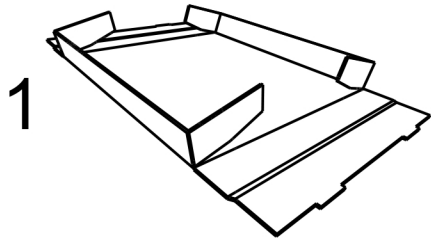
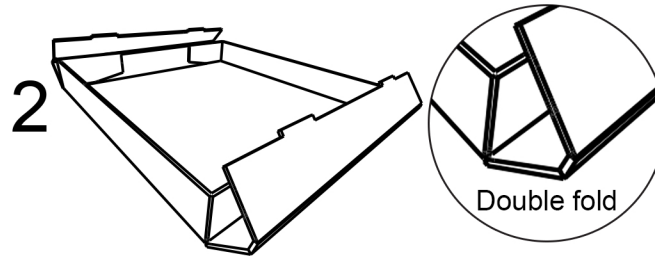


Small Hamper Box Assembly Instructions



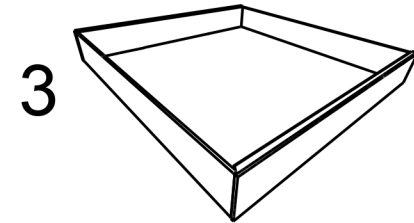
1

First assemble the lid by folding the sides to right angles as shown in figure 1



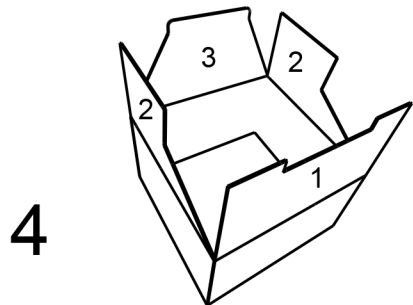
2

Then fold the remaining flaps over the top of flaps from figure 1. Firmly crease the double fold so that the tabs locate correctly



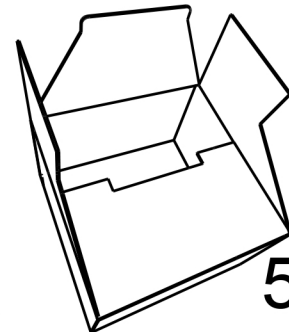
3

Lid should resemble figure 3

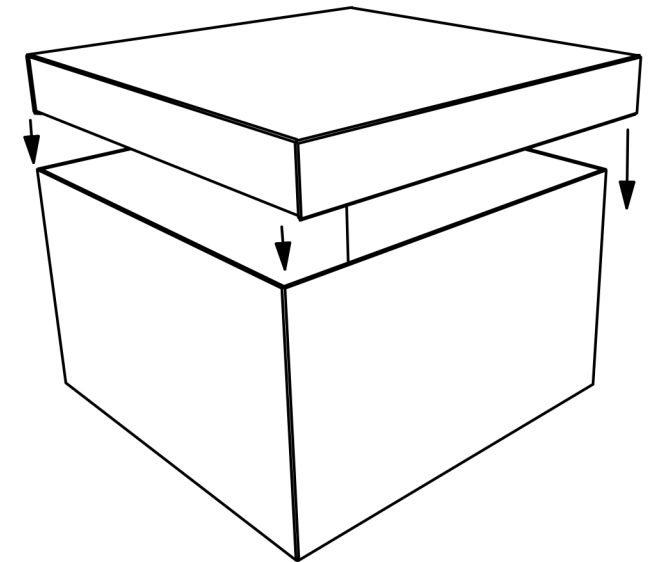


4

Next assemble the main box by folding the panels in the order shown in figure 4

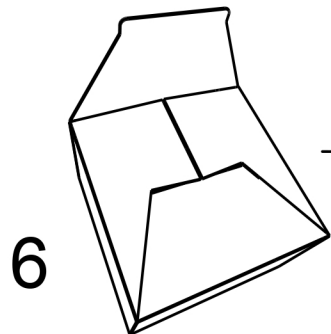


5

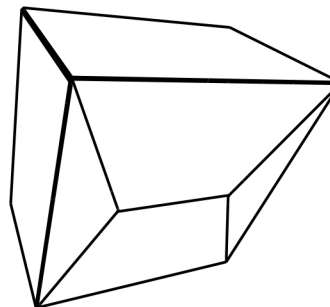


8

Finally, place the lid on top of the main box



6



7

Push flap 3 in until it locks into the other panels