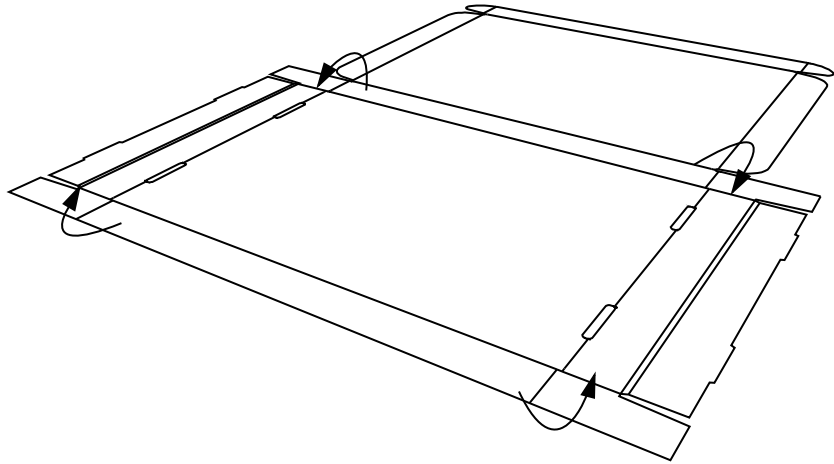
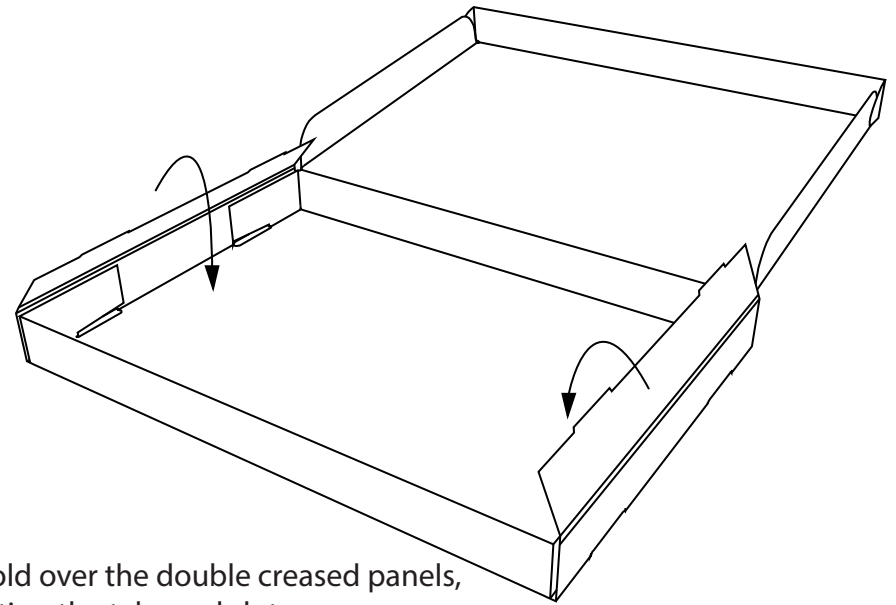


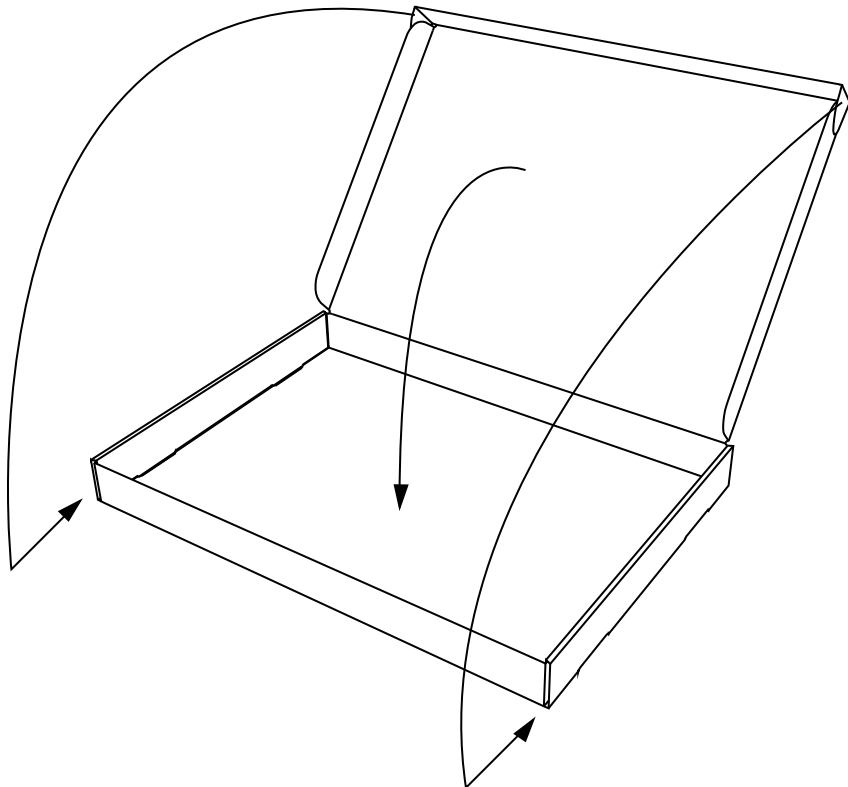
PRE CREASE ALL FOLDS BEFORE ASSEMBLY



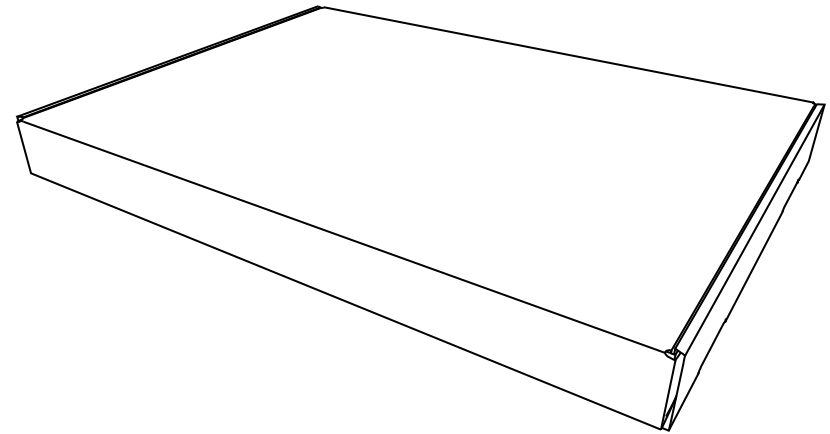
1) Fold the 4 corner panels 90 degrees



2) Fold over the double creased panels, locating the tabs and slots



3) Fold over the lid, locating the front tabs within the side slot created by the double crease



4) Finished carton