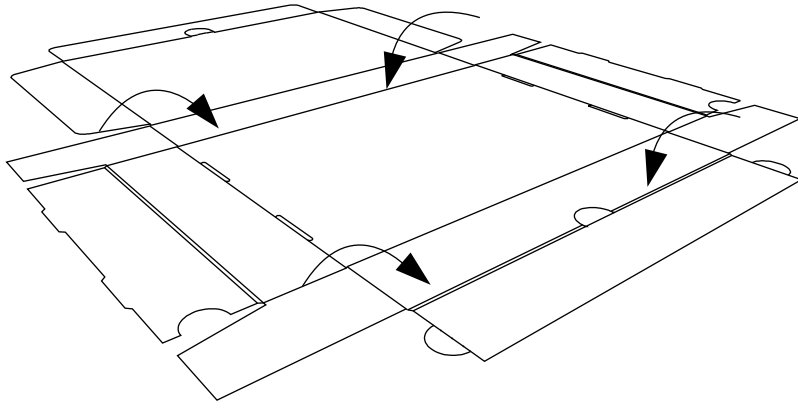
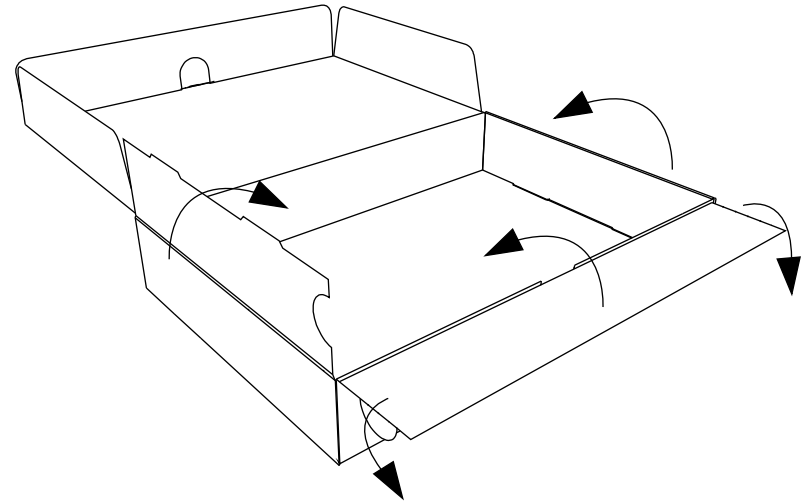


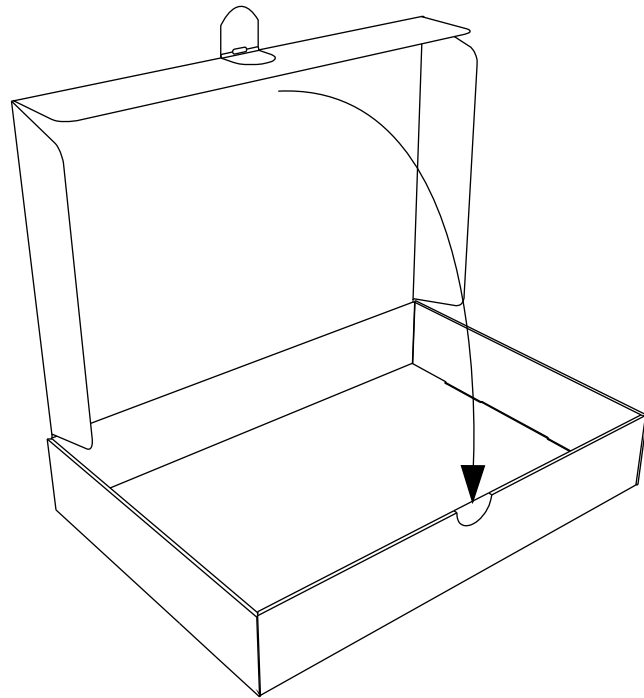
E-commerce Assembly instructions  
PRE CREASE ALL FOLDS BEFORE ASSEMBLY



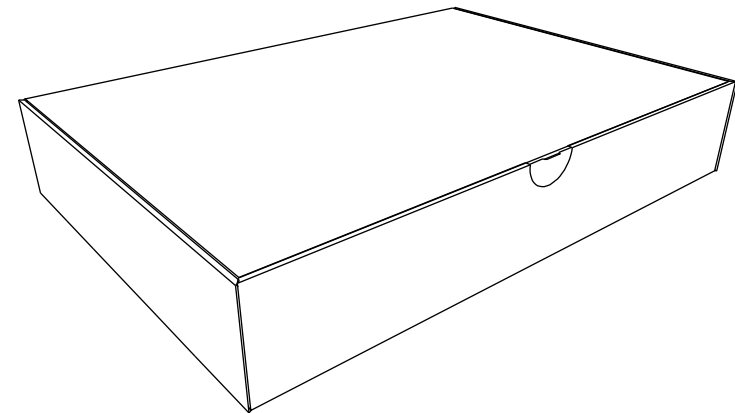
1) Fold the 4 corner panels 90 degrees



2) Fold over the double creased panels, sides first - locating the tabs in. Then fold over front panel, locating semi circles



3) Fold over the lid, locating the tab in slot at the front



4) Finished Carton