



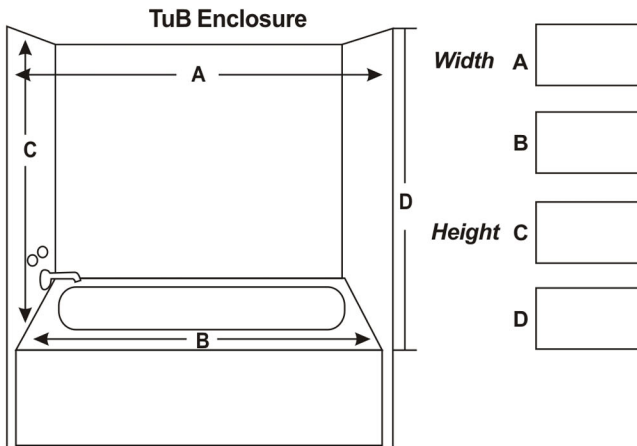
Shower Doors

ORDER FORM / MEASURING GUIDE

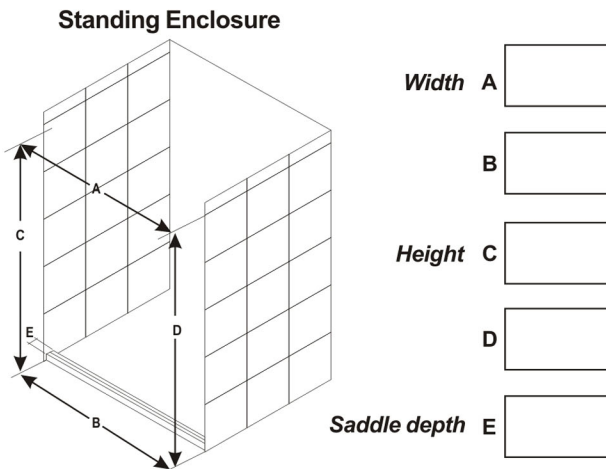
Measure the exact FINISHED Opening for A , B , C & D (see pictures below)

Circle enclosure you are ordering: AC23 , AC88 , AH01 , AYDEN , ASD , BR01 , BH01 , BP01 , GBY22 , MZ , S57P Others _____

Customize _____



Use Centerline Dimension For All Enclosures



Use Centerline Dimension For All Enclosures

 Customer Signature- Required To Confirm Dimensions Submitted

***Please use this template to make copies /prints**

Model# _____

Hardware Finish _____

Glass _____

Dealership Name ; Phone ; Address

Customer / Job Site ; Phone ; Address;

Date _____