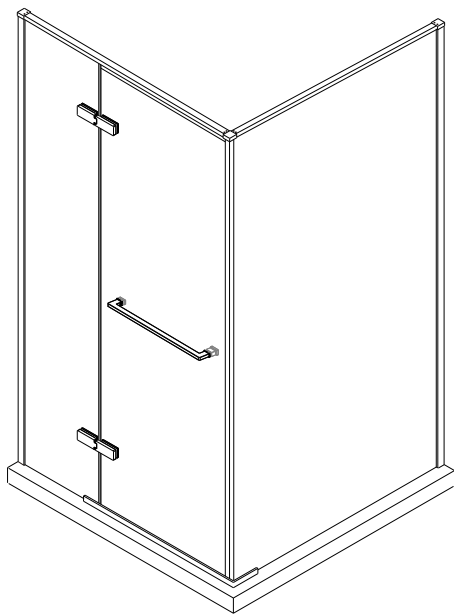
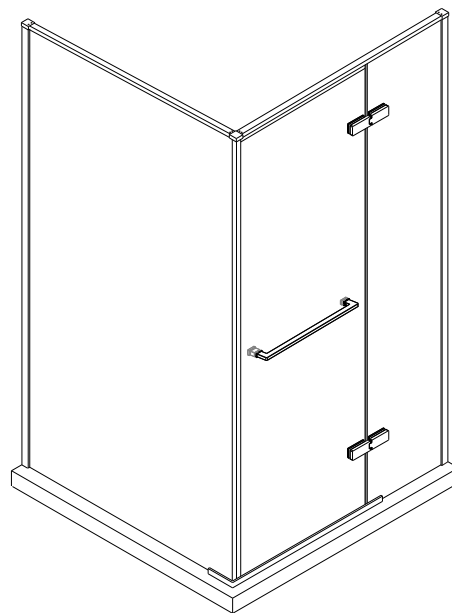


# NPH (All Models)

## INSTALLATION INSTRUCTIONS



LH



RH



## ◆ General Information

Please inspect the product immediately upon receipt for transit damage, missing packs/parts or manufacturing fault. Damage reported later cannot be accepted. Please handle the product with care avoiding knocks and shock loading to all sides and edges of the glass.

### **Notes: Safety glass can not be re-worked.**

Please read these instructions carefully before start of installation.

Special care should be taken when drilling walls to avoid hidden pipes or electrical cables.

Note: This product is heavy and may require two people to install.

## Aftercare instructions

After use, your shower should be cleaned with soap and water. This is particularly important in hard water districts where insoluble lime salts may be deposited and allowed to build up.

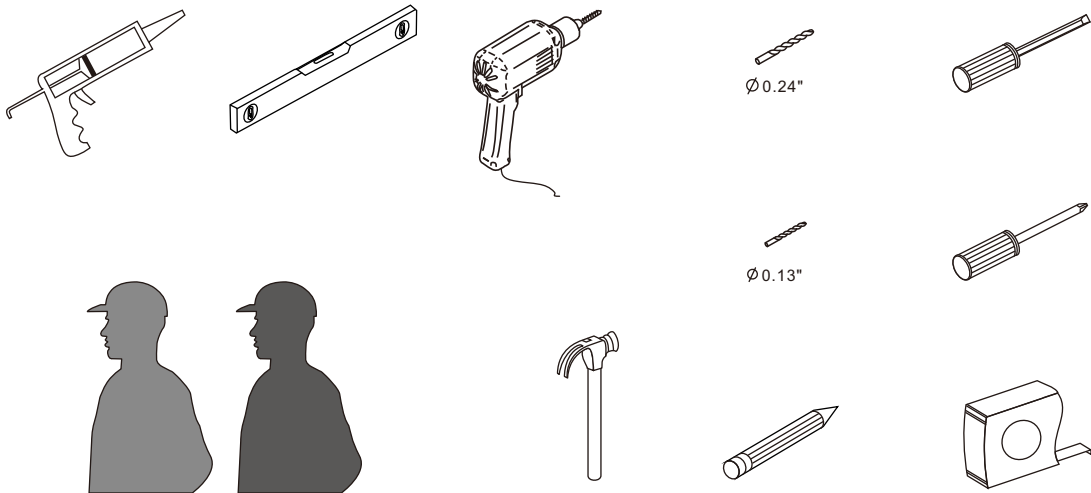
Cleaners of a gritty or abrasive nature should not be used. Care should be taken to avoid contact with strong chemicals such as organic solvents and strippers.

Glass cleaners can be used but with caution, if in doubt contact the manufacturer of the cleaner in question.

Please keep these instructions for aftercare and customer service details.

---

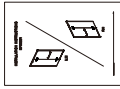



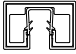







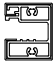





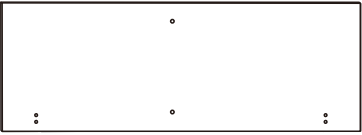
## Tools Required




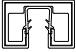

**This product is heavy and may require two people to install.**



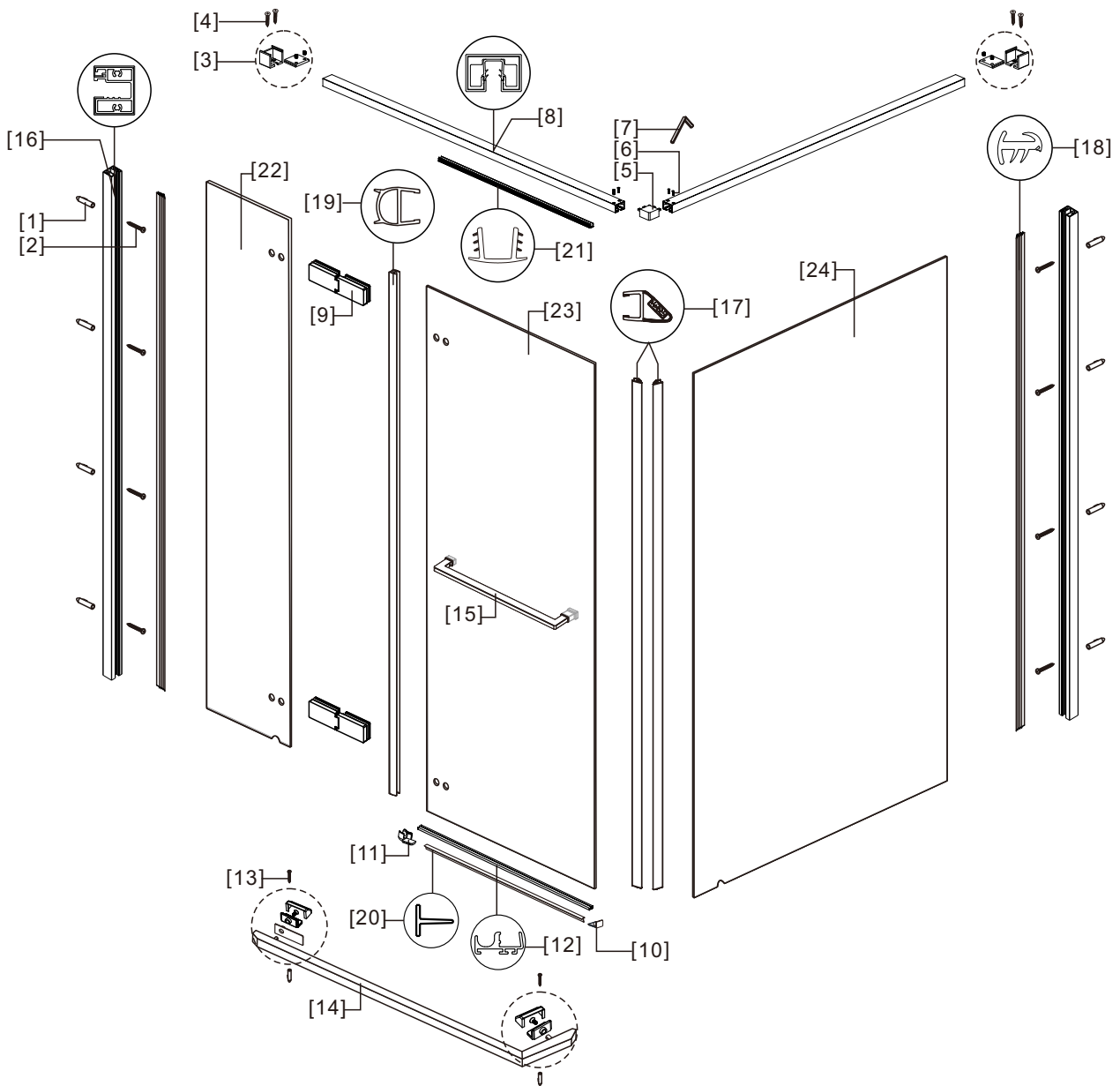
## ◆ Box Contents (Box-1 Front Door):

1xInstallation Instruction.	➔	
[1] 10xWall Plugs. [2] 8xRound Head Screws ST4x35.	➔	
[3] 2xSupport Bar Wall Brackets. [4] 4xscrews ST3.5x16.	➔	
[5] 2xCorner Connectors (L&R). [6] 4xscrews M4x14. [7] 1x0.1" Allen Key.	➔	
[8] 1xSupport Bar.	➔	 
[9] 2xHinges.	➔	
[10] 2xBottom Fixings (L&R). [11] 2xBottom Guides (L&R).	➔	
[12] 1xAluminum.	➔	 
[13] 2xscrews ST4x20. [14] 1xAluminium Seal.	➔	
[15] 1xHandle Set.	➔	
[16] 2xWall Post .	➔	 
[17] 2xMagnetic Seals.	➔	 
[18] 2xInserted Gaskets. [19] 1xSide Gasket. [20] 1xT Gasket. [21] 1xDecorative Gasket.	➔	
[22] 1xFixed Panel.	➔	
[23] 1xDoor Panel.	➔	

## ◆ Box Contents (Box-2 Side Panel):

[24] 1xSide Panel. 1xSupport Bar.	➔	  
--------------------------------------	---	---

# ◆ Assembly Drawing



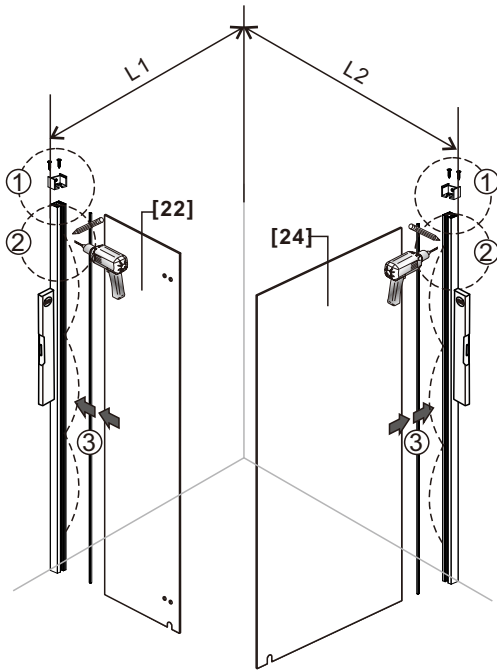
- [1] 10x Wall Plugs.
- [2] 8x Round Head Screws ST4x35.
- [3] 2x Support Bar Wall Brackets.
- [4] 4x Screws ST3.5x16.
- [5] 1x Corner Connector.
- [6] 4x Screws M4x14.
- [7] 1x 0.1" Allen Key.
- [8] 2x Support Bars.

- [9] 2x Hinges.
- [10] 1x Bottom Fixing.
- [11] 1x Bottom Guide.
- [12] 1x Aluminum.
- [13] 2x Screws ST4x20.
- [14] 1x Aluminium Seal.
- [15] 1x Handle Set.
- [16] 2x Wall Post .

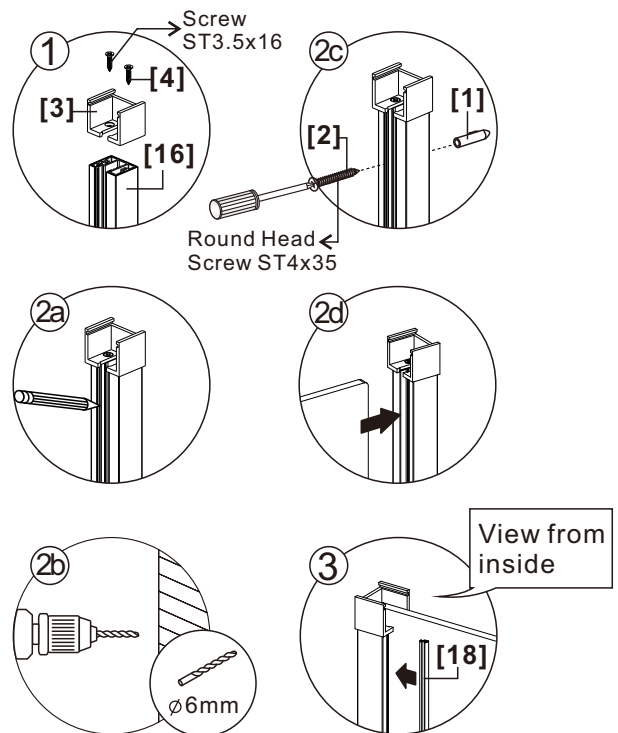
- [17] 2x Magnetic Seals.
- [18] 2x Inserted Gaskets.
- [19] 1x Side Gasket.
- [20] 1x T Gasket.
- [21] 1x Decorative Gasket.
- [22] 1x Fixed Panel.
- [23] 1x Door Panel.
- [24] 1x Side Panel.
- 1x Support Bar.

# ◆ Installation Steps

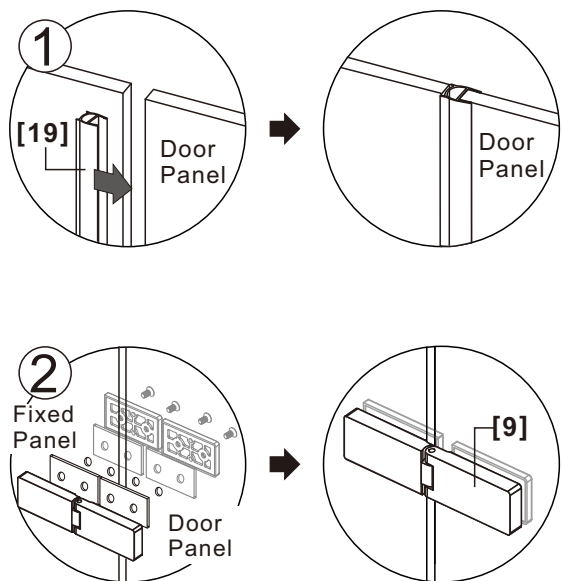
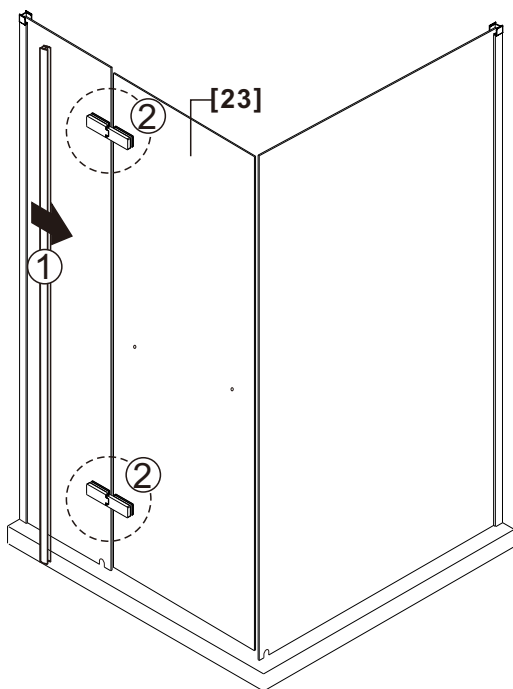
## Step 1



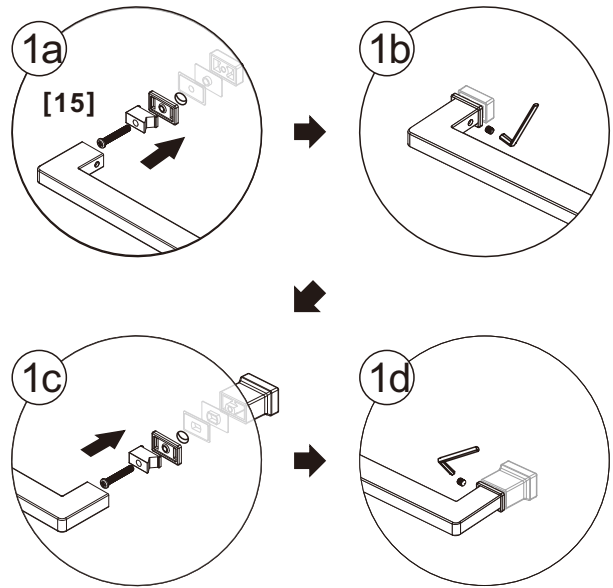
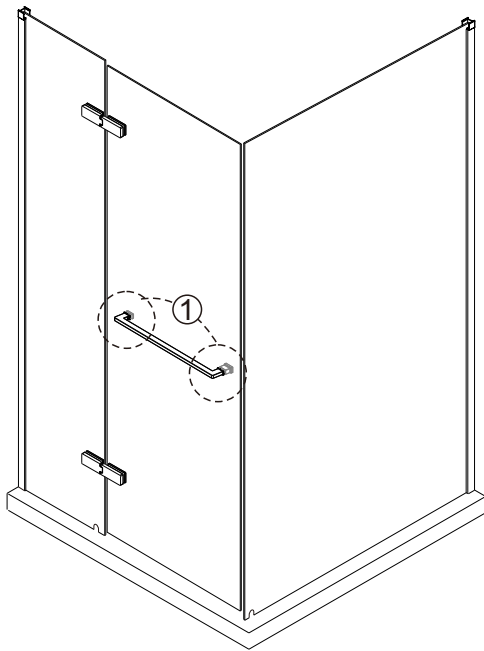
L1	32"(31.4"-31.8")	34"(33.4"-33.8")	36"(35.4"-35.8")	39.5"(39.5"-39.9")
L2	36"(35.4"-35.8")	48"(47.4"-47.8")	60"(59.4"-59.8")	39.5"(39.5"-39.9")



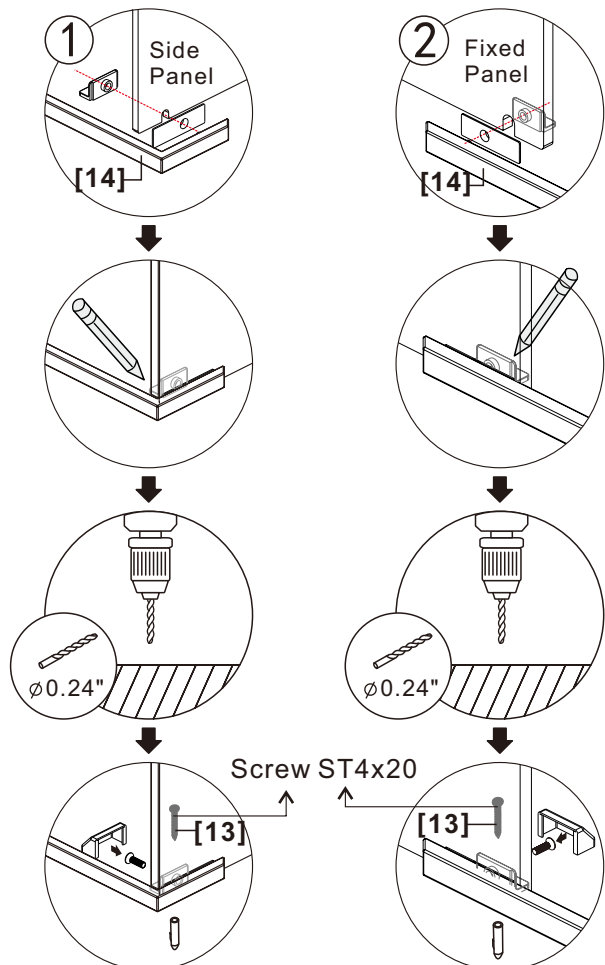
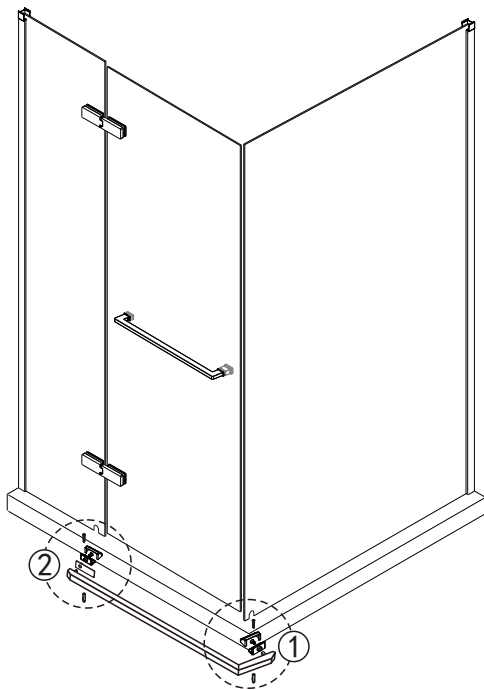
## Step 2



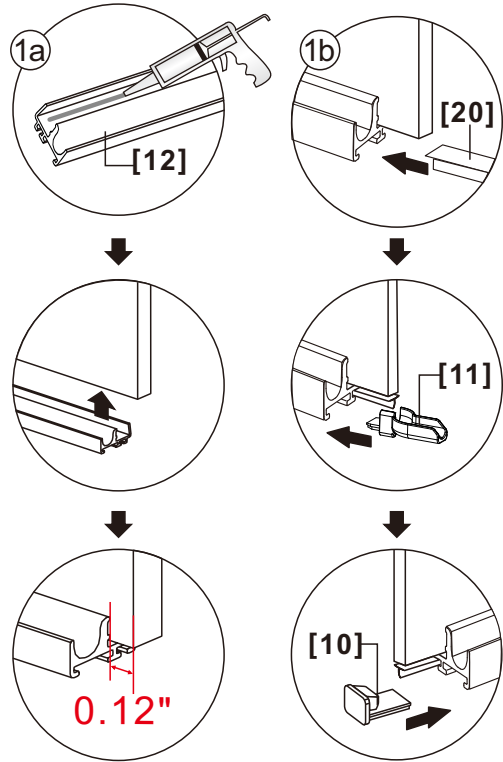
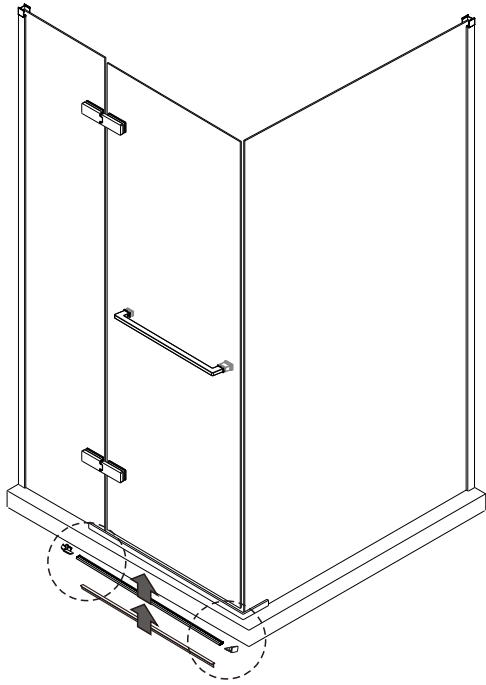
### Step 3



### Step 4

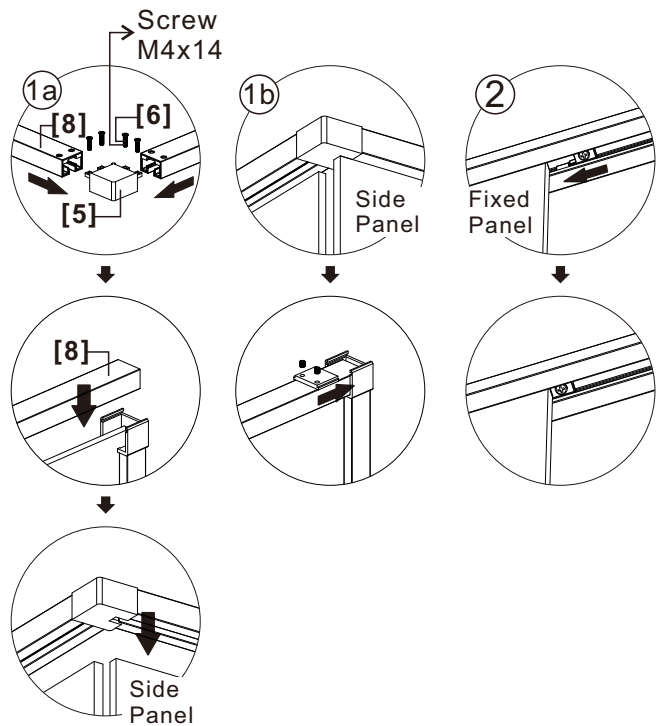
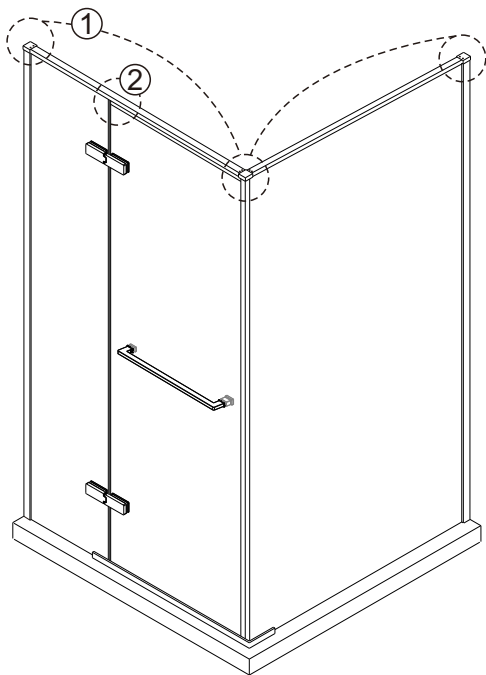


## Step 5

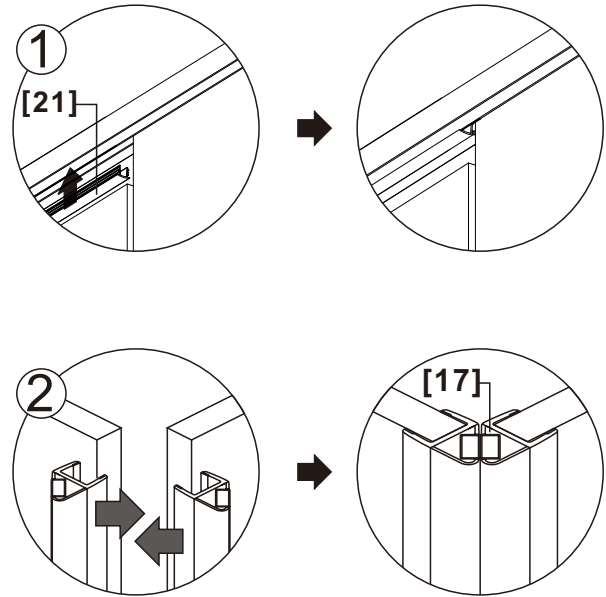
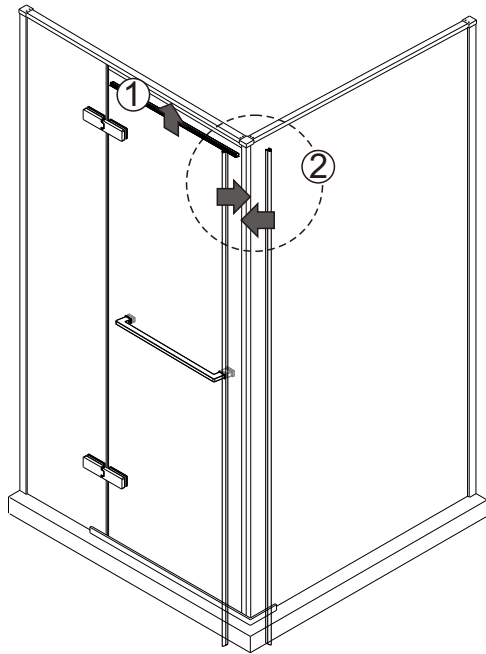


View from inside

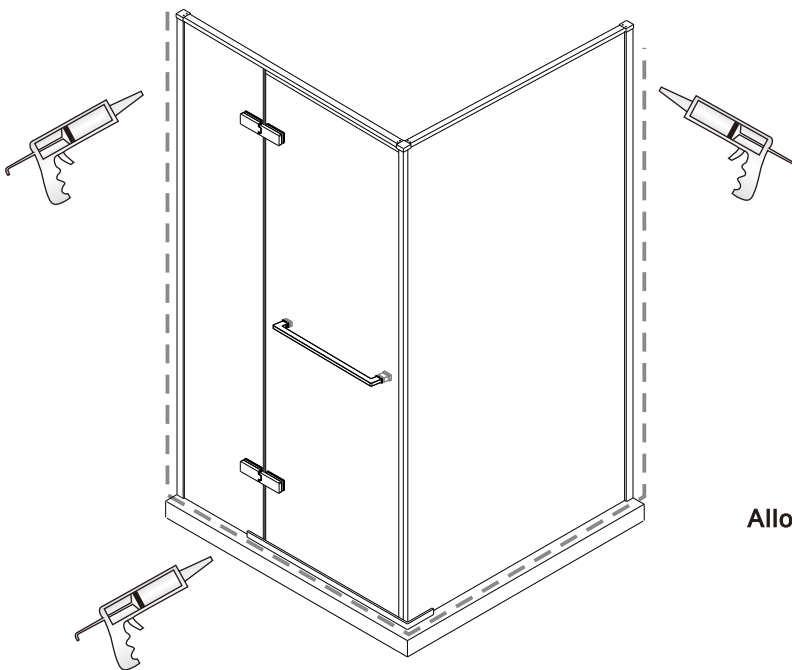
## Step 6



## Step 7

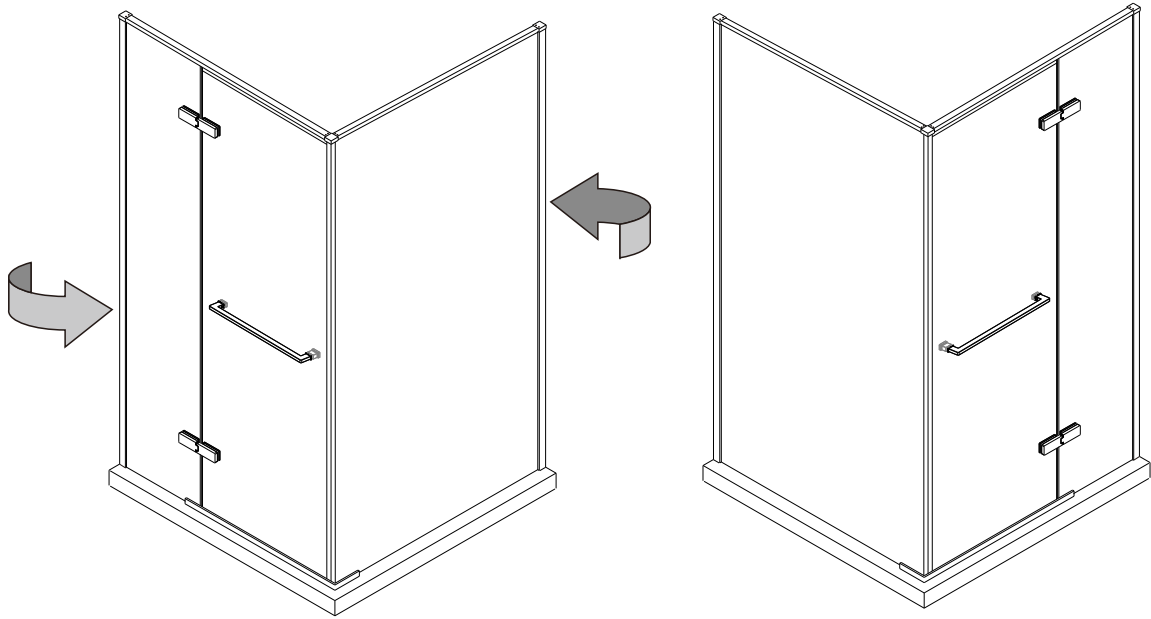


## Step 8



**Allow 24 hours for silicone to dry before use.**





Reversible for a Right or Left Wall Installation