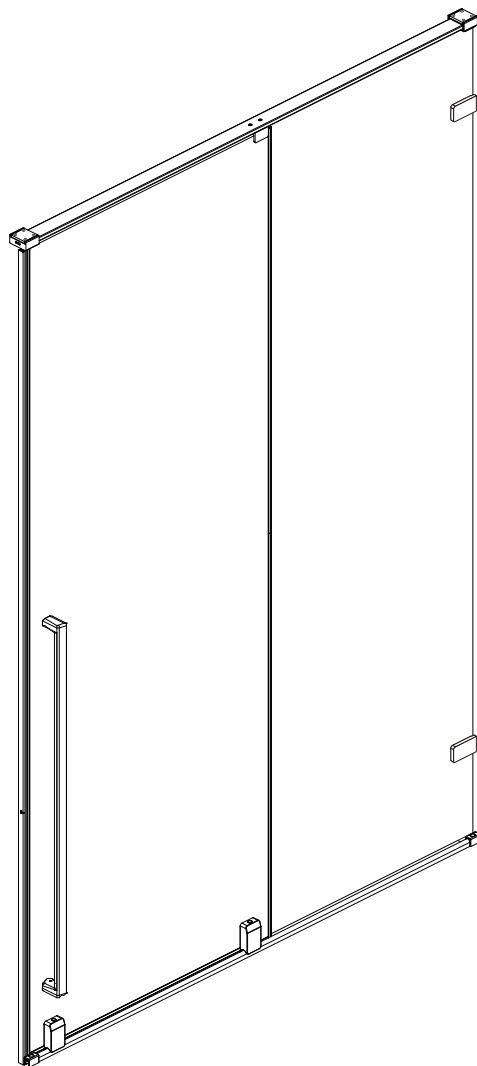


INSTALLATION INSTRUCTIONS

KH (All Models)



◆ General Information

Please inspect the product immediately upon receipt for transit damage, missing packs/parts or manufacturing fault. Damage reported later cannot be accepted. Please handle the product with care avoiding knocks and shock loading to all sides and edges of the glass.

Notes: Safety glass can not be re-worked.

Please read these instructions carefully before start of installation.

Special care should be taken when drilling walls to avoid hidden pipes or electrical cables.

Note: This product is heavy and may require two people to install.

Aftercare instructions

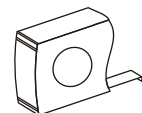
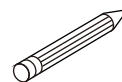
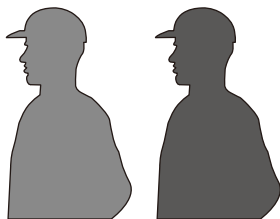
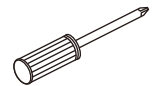
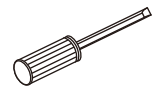
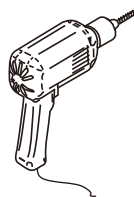
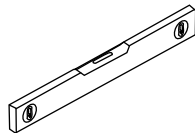
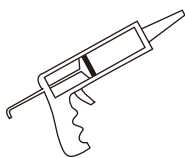
After use, your shower should be cleaned with soap and water. This is particularly important in hard water districts where insoluble lime salts may be deposited and allowed to build up.

Cleaners of a gritty or abrasive nature should not be used. Care should be taken to avoid contact with strong chemicals such as organic solvents and strippers.

Glass cleaners can be used but with caution, if in doubt contact the manufacturer of the cleaner in question.

Please keep these instructions for aftercare and customer service details.


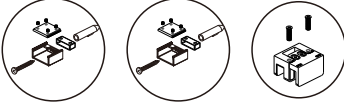
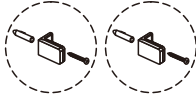


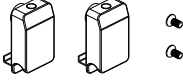







Tools Required



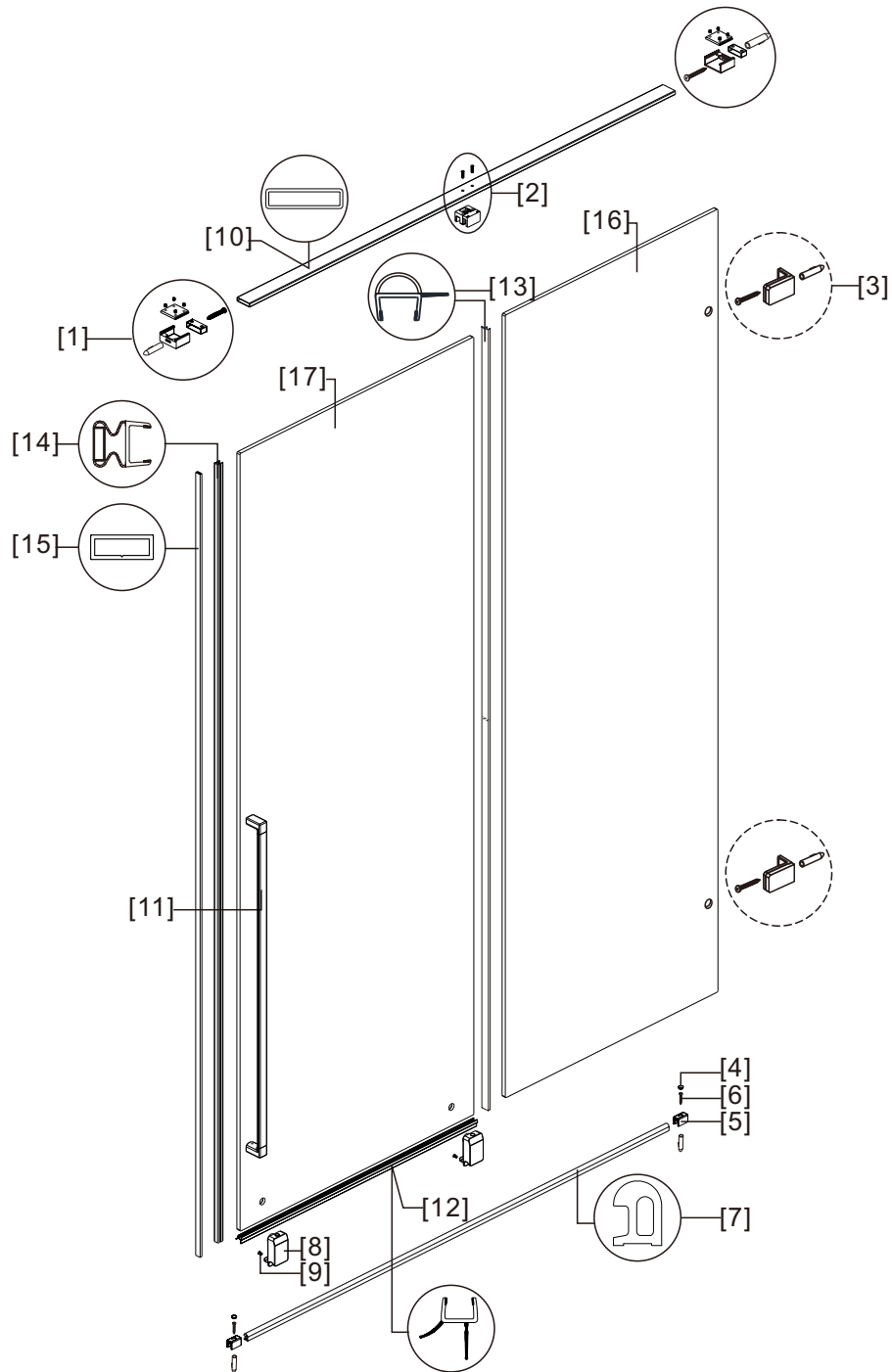
This product is heavy and may require two people to install.



◆ Box Contents :

1xInstallation Instruction.	➔	
[1] 2xSupport Bar Wall Brackets [2] 1xTop Slider	➔	
[3] 2xWall Bracket	➔	
[4] 2xCaps [5] 2xBottom Threshold Fixings [6] 2xScrews ST4x20	➔	
[7] 1xBottom Threshold	➔	
[8] 2xBottom Rollers [9] 2xScrews M4x10	➔	
[10] 1xSupport Bar	➔	
[11] 1xHandle Set	➔	
[12] 1xBottom Gasket [13] 1xSide Gasket	➔	
[14] 1xMagnetic Seal	➔	
[15] 1xPost	➔	
[16] 1xFixed Panel	➔	
[17] 1xDoor Panel	➔	

◆ Assembly Drawing

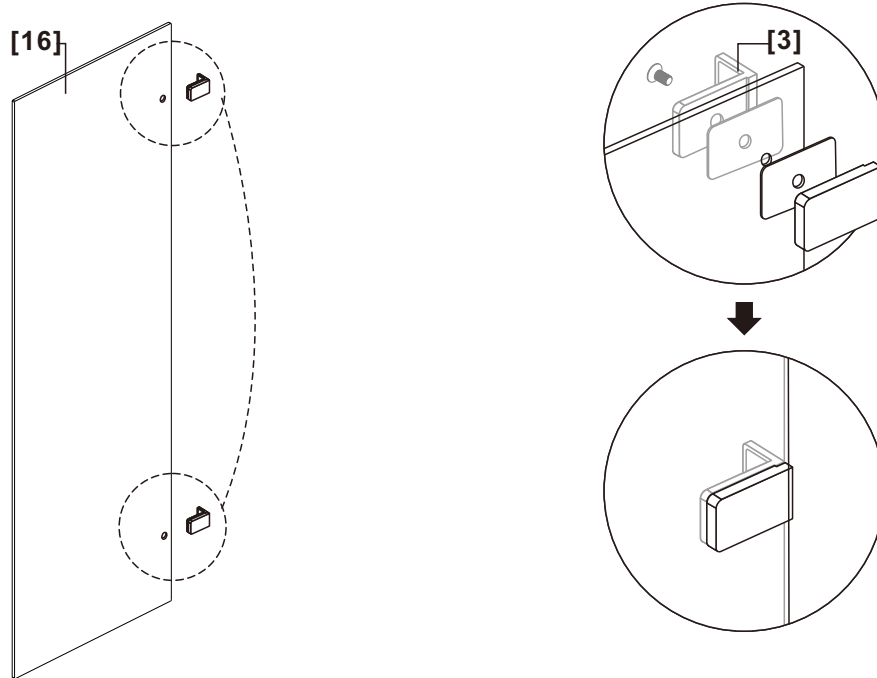


- [1] 2xSupport Bar Wall Brackets
- [2] 1xTop Slider
- [3] 2xWall Bracket
- [4] 2xCaps
- [5] 2xBottom Threshold Fixings
- [6] 2xScrews ST4x20
- [7] 1xBottom Threshold
- [8] 2xBottom Rollers

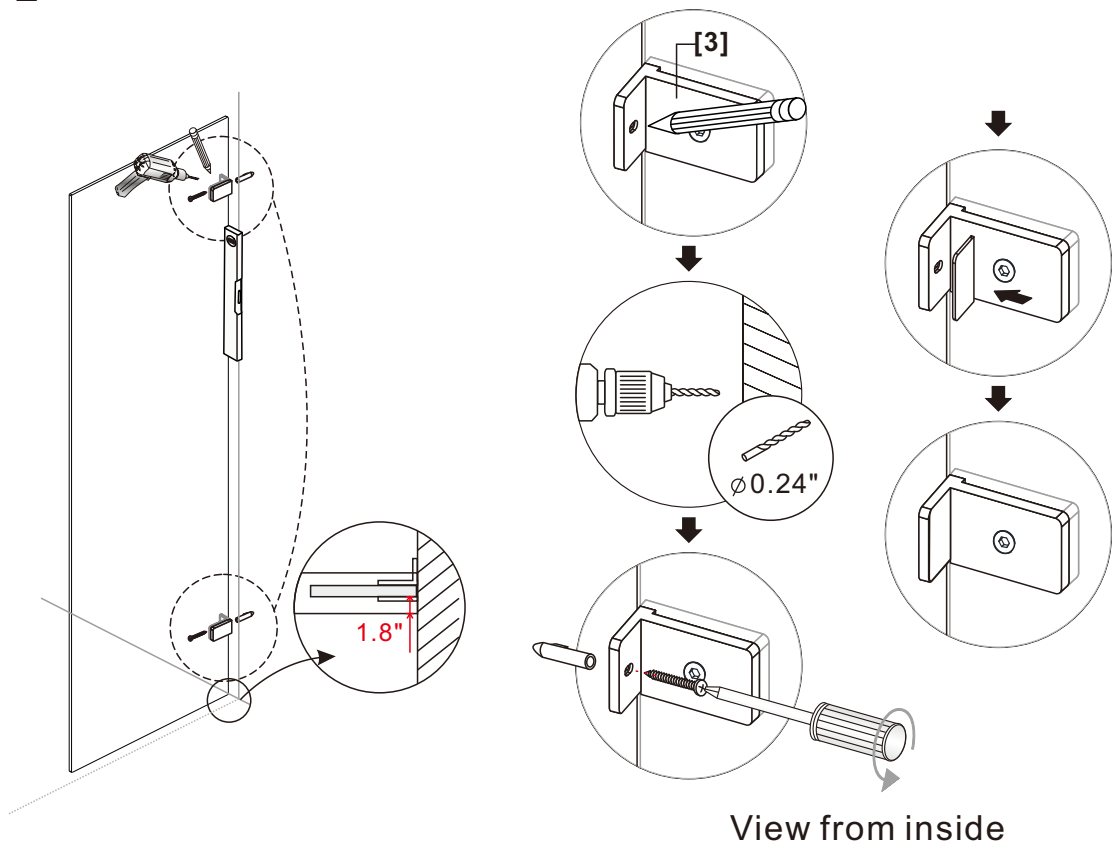
- [9] 2xScrews M4x10
- [10] 1xSupport Bar
- [11] 1xHandle Set
- [12] 1xBottom Gasket
- [13] 1xSide Gasket
- [14] 1xMagnetic Seal
- [15] 1xPost
- [16] 1xFixed Panel
- [17] 1xDoor Panel

◆ Installation Steps


Step 1

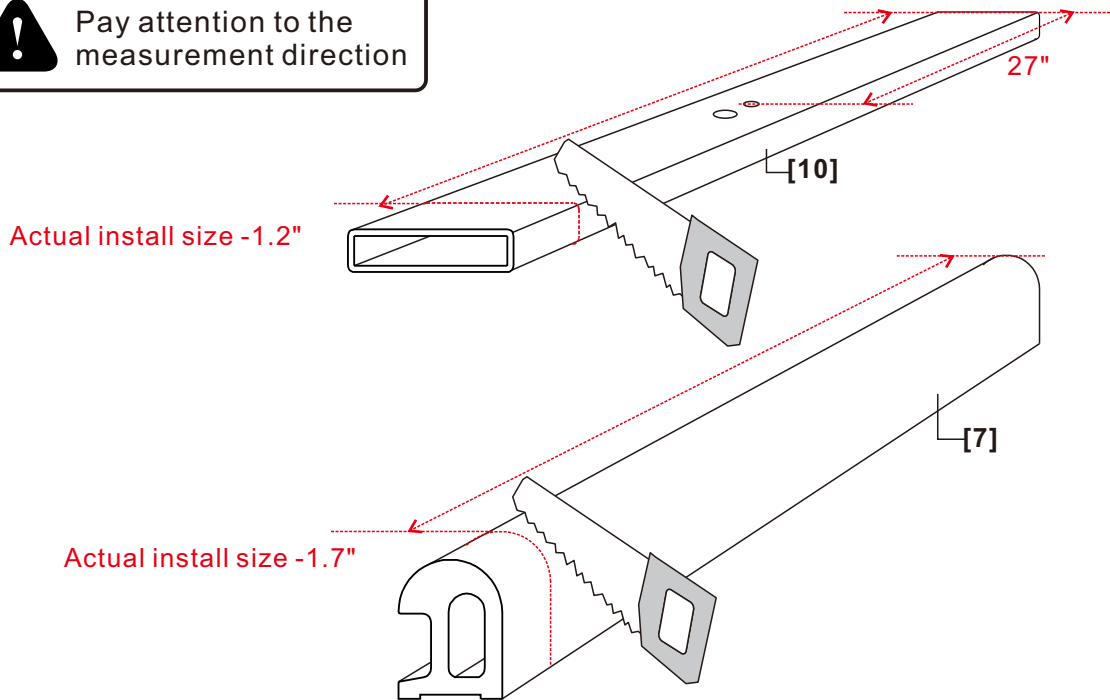


Step 2

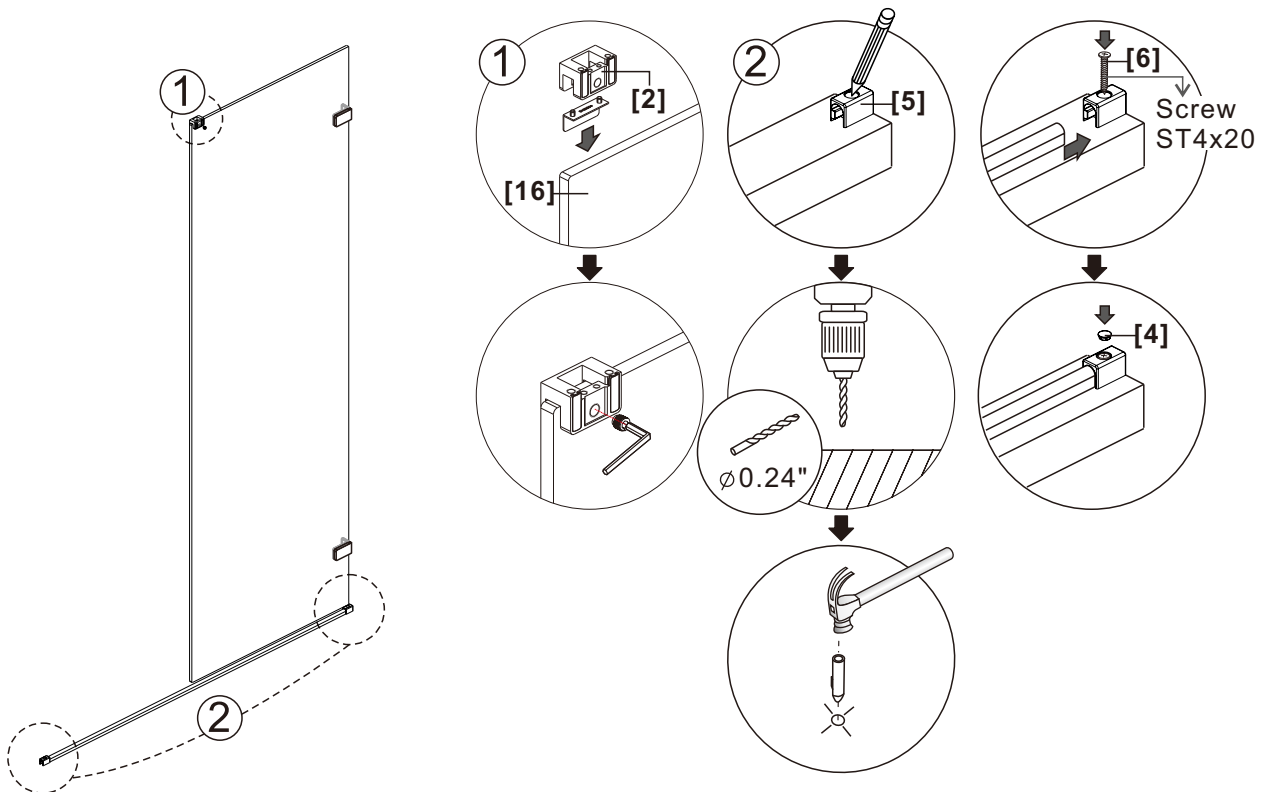


Step 3

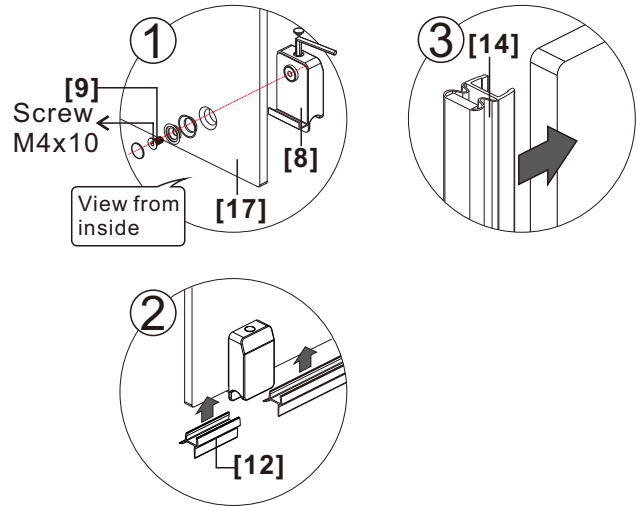
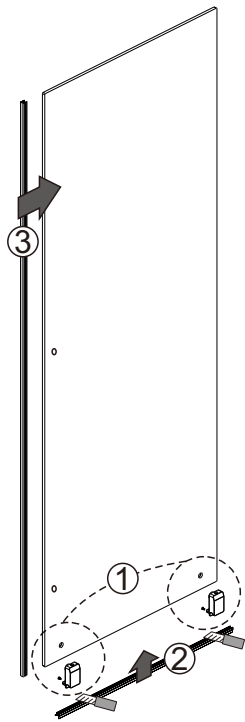
 Pay attention to the measurement direction



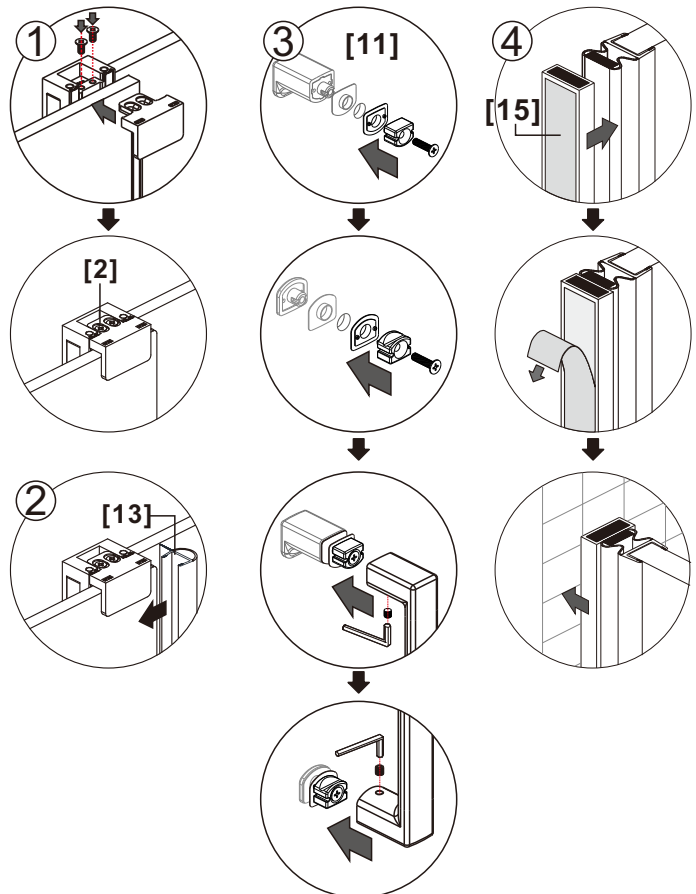
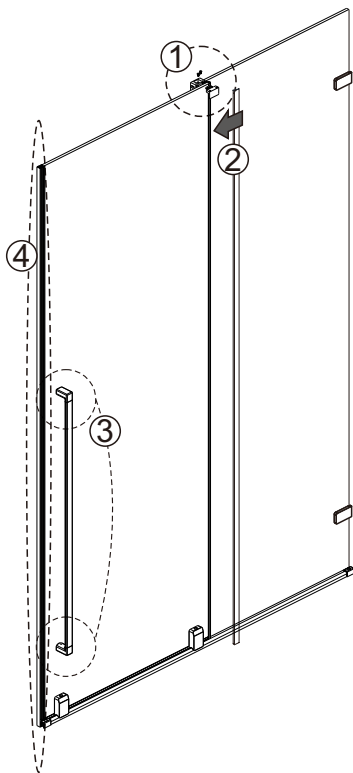
Step 4



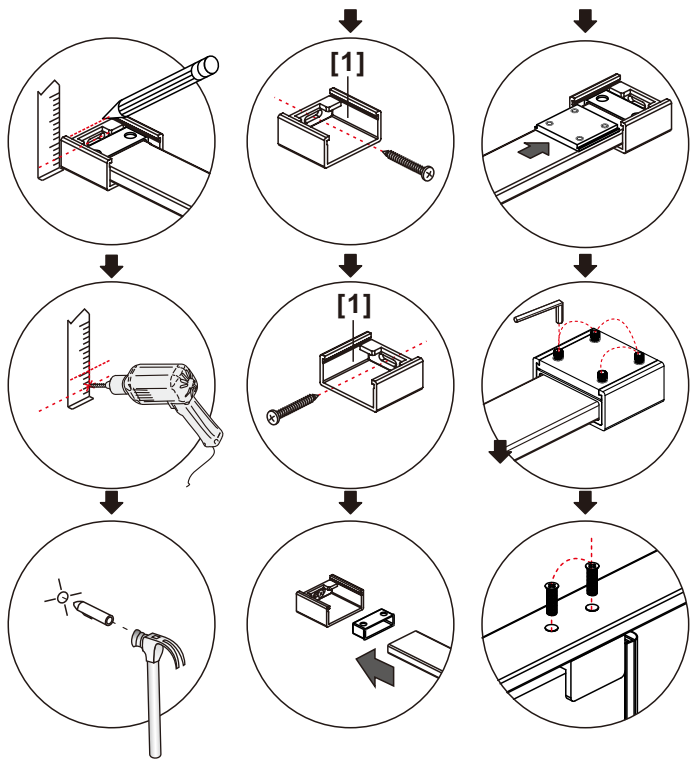
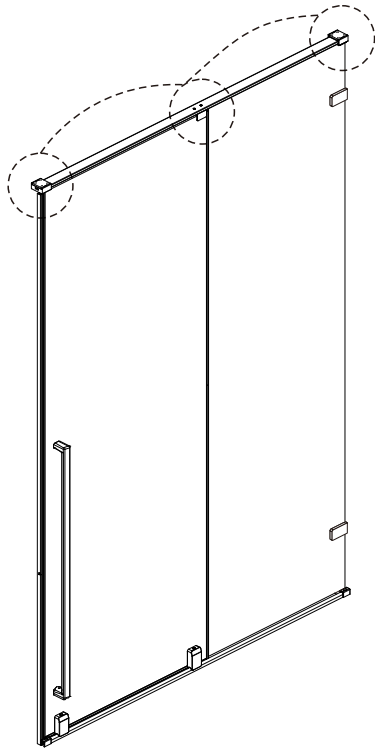
Step 5



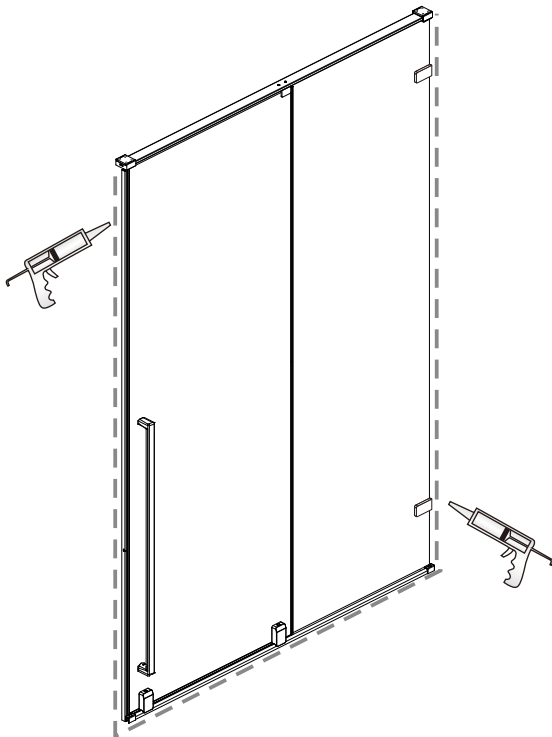
Step 6



Step 7



Step 8



Allow 24 hours for silicone to dry before use.