



Chrome



Brushed Nickel





Chrome



Brushed Nickel



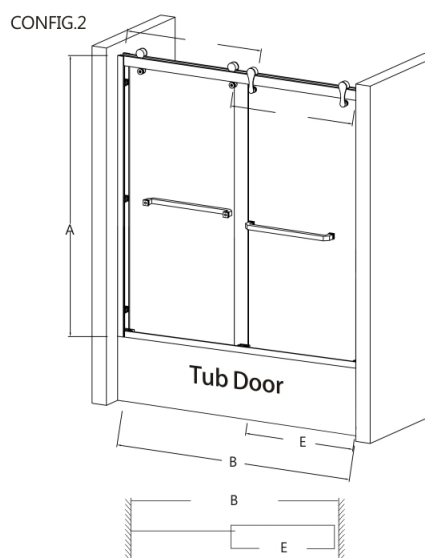
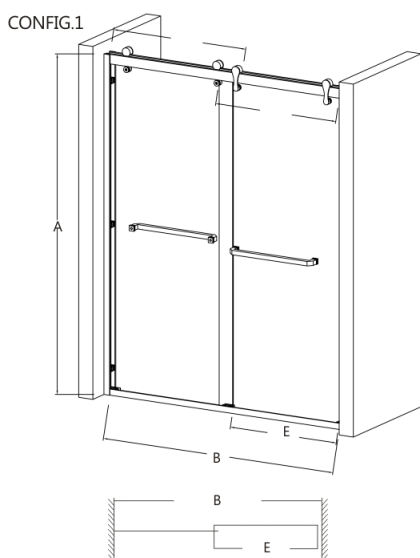
Tub Door

## Owen GBY22 Bypass

Frame Type	Door Opening	Glass Thickness	Hardware Finish	Hardware Materials
Frame	Bypass Sliding Door	(3/8") 10MM	Chrome Brushed Nickel	304 Stainless Steel
Certified Glass	iStyle Exclusive KlearTeck	Threshold	Regular Maintenance	Warranty
Certified SGCC/ANSI/CAN /CGSB/CFR Tempered Clear Safety Glass	Resistant Glass Coating / Repels Water Mark / Leaves NO Water Mark / Clean Looking	Minimum 3" Threshold Depth (Saddle) for proper installation	Non-abusive chemical, Spray with vinegar + water, Rinse off with clean water. Dry with Squeegee.	10 Years Limited Warranty. See details on bottom.

**10 Year Limited Warranty** on all hardware parts. Excluded tempered glass, damage incurred during installation, labor & shipping fee.

## CONFIGURATION



Model#	B (Width) x A (Height)	Color	Glass Thickness	MSRP	E: Entrance Opening
GBY22-4876C	44" - 48" Width x 76"Height	Chrome	(3/8") 10MM	\$900	E: 19"-23"
GBY22-4876NN	44" - 48" Width x 76"Height	Brushed Nickel	(3/8") 10MM	\$900	E: 19"-23"
GBY22-5476C	49" - 54" Width x 76"Height	Chrome	(3/8") 10MM	\$930	E: 21"-26"
GBY22-5476NN	49" - 54" Width x 76"Height	Brushed Nickel	(3/8") 10MM	\$930	E: 21"-26"
GBY22-6076C	55" - 60" Width x 76"Height	Chrome	(3/8") 10MM	\$930	E: 23-3/4"-28-3/4"
GBY22-6076NN	55" - 60" Width x 76"Height	Brushed Nickel	(3/8") 10MM	\$930	E: 23-3/4"-28-3/4"
GBY22-6676C	61" - 66" Width x 76"Height	Chrome	(3/8") 10MM	\$1100	E: 26-3/4"-31-3/4"
GBY22-6676NN	61" - 66" Width x 76"Height	Brushed Nickel	(3/8") 10MM	\$1100	E: 26-3/4"-31-3/4"
GBY22-7276C	66" - 72" Width x 76"Height	Chrome	(3/8") 10MM	\$1180	E: 28-1/2"-34-1/2"
GBY22-7276NN	66" - 72" Width x 76"Height	Brushed Nickel	(3/8") 10MM	\$1180	E: 28-1/2"-34-1/2"
BATHTUB GBY22-6060C	54" - 60" Width x 60"Height	Chrome	(3/8") 10MM	\$900	E: 22-3/4"-28-3/4"
BATHTUB GBY22-6060NN	54" - 60" Width x 60"Height	Brushed Nickel	(3/8") 10MM	\$900	E: 22-3/4"-28-3/4"
BATHTUB GBY22-6660C	61" - 66" Width x 60"Height	Chrome	(3/8") 10MM	\$1180	E: 26-3/4"-31-3/4"
BATHTUB GBY22-7260C	66" - 72" Width x 60"Height	Chrome	(3/8") 10MM	\$1180	E: 28-3/4"-34-3/4"



**Additional Features**

Model#	B (Width) x A (Height)	Color	Glass Thickness	MSRP	E: Entrance Opening
GBY22-4476C	40" - 44" Width x 76"Height	Chrome	(3/8") 10MM	\$900	E: 19"-23"
GBY22-4872C	49" - 54" Width x 72"Height	Chrome	(3/8") 10MM	\$980	E: 19"-23"
GBY22-5472C	49" - 54" Width x 72"Height	Chrome	(3/8") 10MM	\$1000	E: 21"-26"
GBY22-6072C	55" - 60" Width x 72"Height	Chrome	(3/8") 10MM	\$1000	E: 23"-3/4"-28"-3/4"



**Bypass Sliding Door**

\*3/8 inch (10mm). SGCC & ANSI Certified Clear Tempered Safety Glass / 304 Solid Stainless Steel Hardware

\*iStyle exclusive Cleartek water and stain resistant glass coating

\*10 Year Limited Warranty on all hardware parts. Excluded tempered glass, damage incurred during installation, labor & shipping fee.

Model#	B (Width) x A (Height)	Color	Glass Thickness	MSRP	E: Entrance Opening
BATHTUB GBY22-6060C	54"-60" Width x 60"Height	Chrome	(3/8") 10MM	\$900	E: 19"-23"
BATHTUB GBY22-6060NN	54"-60" Width x 60"Height	Brushed Nickel	(3/8") 10MM	\$980	E: 19"-23"
BATHTUB GBY22-6660C	61"-66" Width x 60"Height	Chrome	(3/8") 10MM	\$1000	E: 21"-26"
BATHTUB GBY22-7260C	66"-72" Width x 60"Height	Chrome	(3/8") 10MM	\$1000	E: 23"-3/4"-28"-3/4"