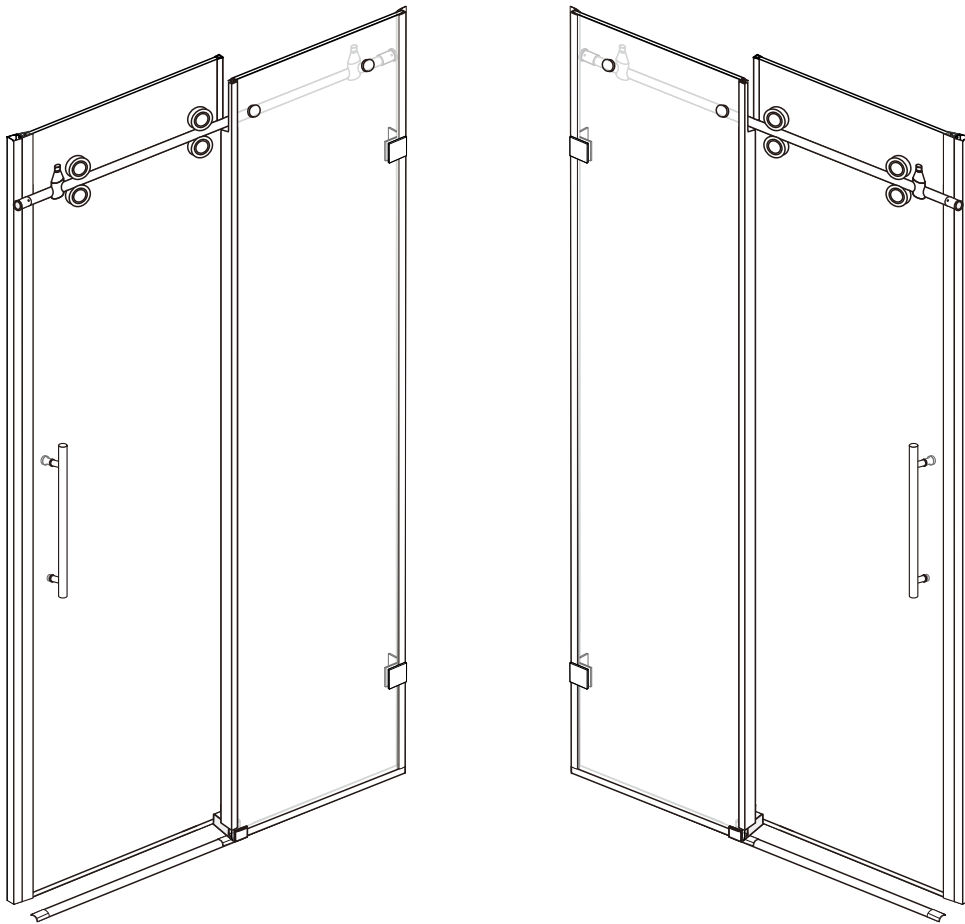


INSTALLATION INSTRUCTIONS

BH (All Models)



◆ General Information

Please inspect the product immediately upon receipt for transit damage, missing packs/parts or manufacturing fault. Damage reported later cannot be accepted. Please handle the product with care avoiding knocks and shock loading to all sides and edges of the glass.

Notes: Safety glass can not be re-worked.

Please read these instructions carefully before start of installation.

Special care should be taken when drilling walls to avoid hidden pipes or electrical cables.

Note: This product is heavy and may require two people to install.

Aftercare instructions

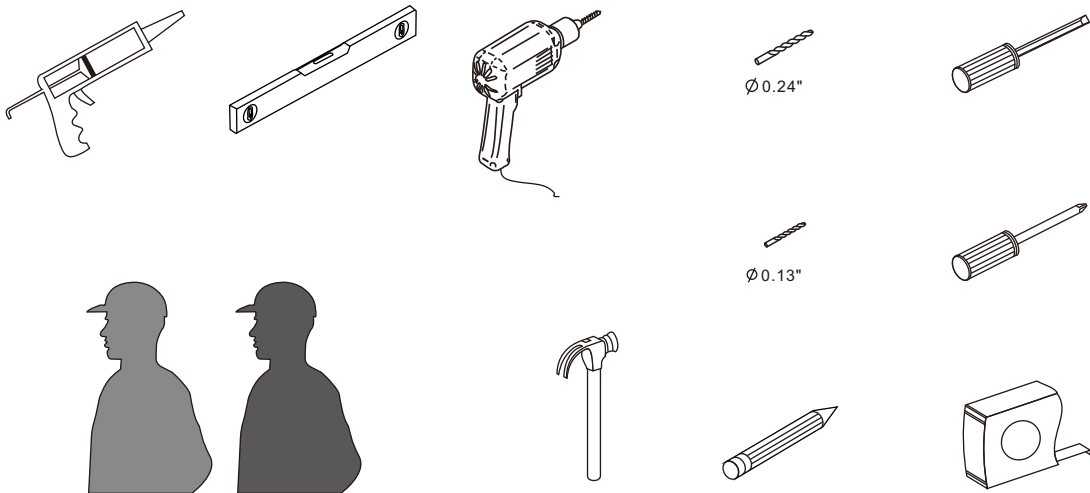
After use, your shower should be cleaned with soap and water. This is particularly important in hard water districts where insoluble lime salts may be deposited and allowed to build up.

Cleaners of a gritty or abrasive nature should not be used. Care should be taken to avoid contact with strong chemicals such as organic solvents and strippers.

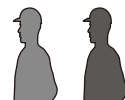
Glass cleaners can be used but with caution, if in doubt contact the manufacturer of the cleaner in question.

Please keep these instructions for aftercare and customer service details.












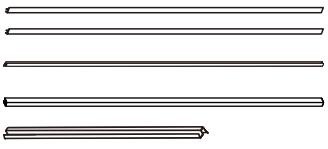






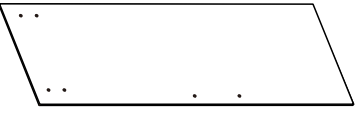




Tools Required



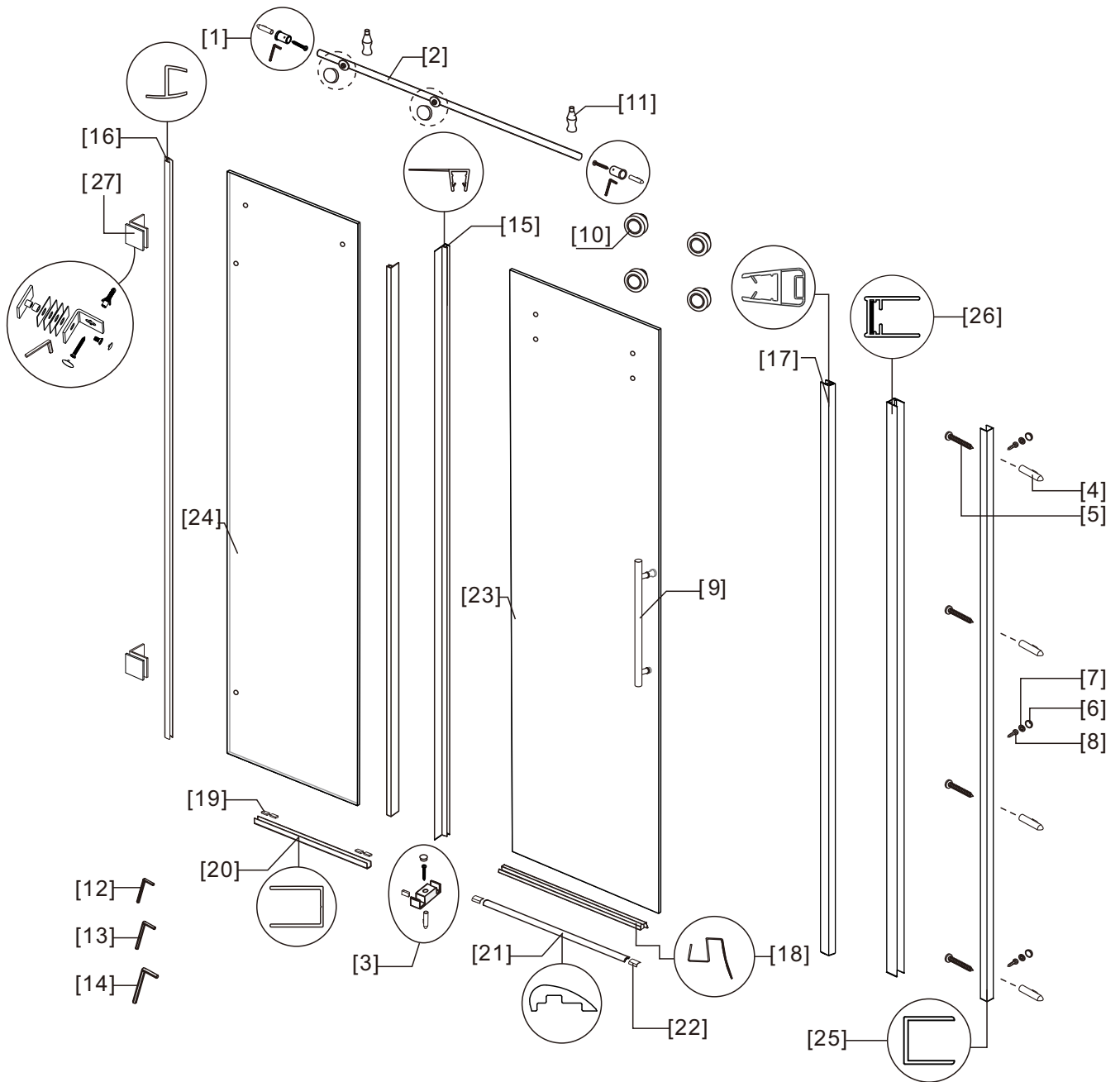
This product is heavy and may require two people to install.



◆ Box Contents:

1xInstallation Instruction.	➔		
[1] 2xWall Brackets: [1A] 2xWall Plugs. [1B] 2xWall Brackets. [1C] 2xScrews ST4x40. [1D] 2x0.12" Allen Key.	➔		
[2] 1xTop Bar with Fasteners: [2A] 1xTop Bar. [2B] 2xFasteners.	➔		
[3] 1xBottom Guide: [3A] 1xBottom Guide. [3B] 1xShim. [3C] 1xScrew Caps. [3D] 1xScrews ST4x35. [3E] 1xWall Anchors.	➔		
[4]4xWall Anchors. [5]4xScrews ST4x35.	➔		
[6]3xScrew Caps. [7]3xBack Screw Caps. [8]3xScrews ST4x10.	➔		
[9] 1xHandle Set.	➔		
[10] 4xRollers.	➔		
[11] 2xStoppers.	➔		
[12] 1x 0. 1" Allen Key. [13] 1x0. 16" Allen Key. [14] 1x0. 2" Allen Key.	➔		
[15] 2xSide Gaskets. [16] 1xWall Gasket. [17] 1xMagnetic Seal. [18] 1xBottom Door Gasket.	➔		
[19] 4xU Channel Shims.	➔		
[20] 1xU Channel.	➔		
[21] 1xAluminum Seal.	➔		
[22] 2xAluminum Seal Caps.	➔		
[23] 1xDoor Panel.	➔		
[24] 1xFixed Panel .	➔		
[25] 1xWall Post. [26] 1xPost.	➔		
[27] 2xHinges	➔		

◆ Assembly Drawing

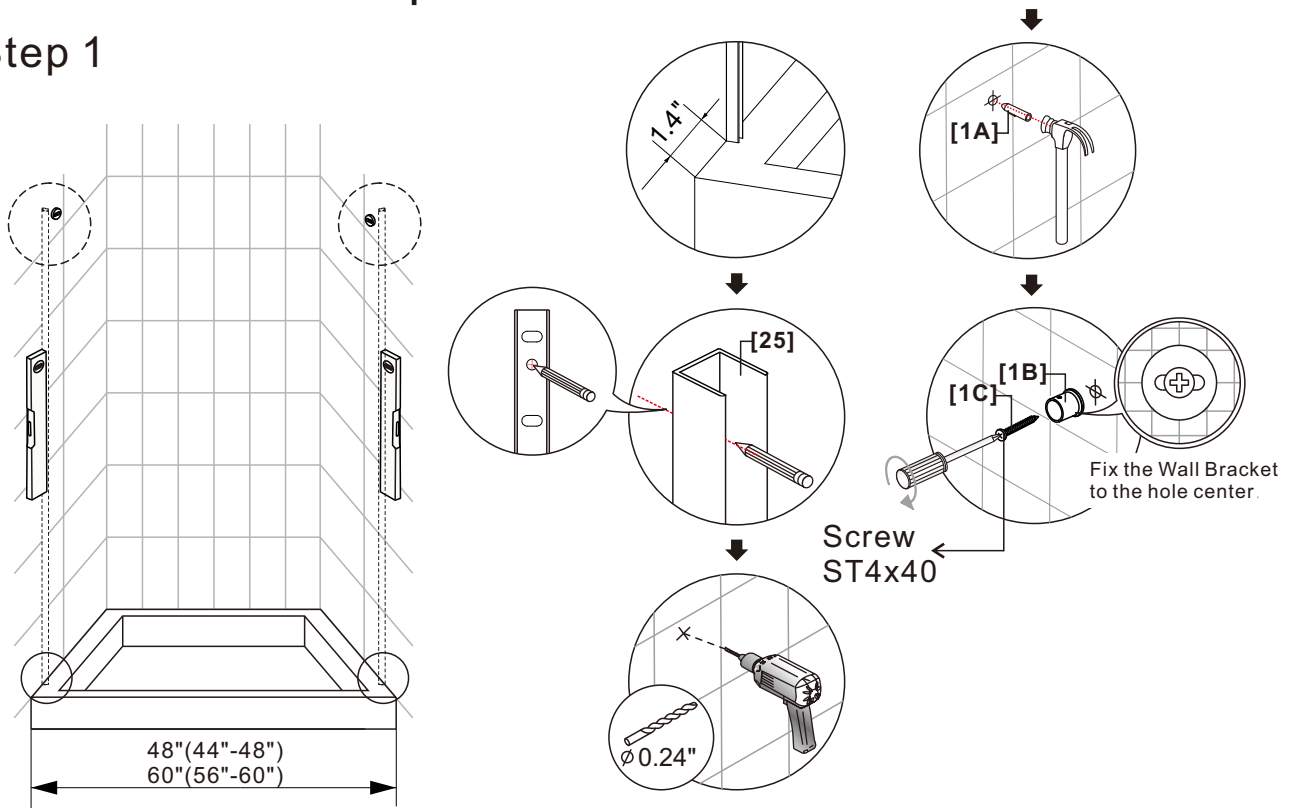


- [1] 2x Wall Brackets.
- [2] 1x Top Bar with Fasteners.
- [3] 1x Bottom Guide.
- [4] 4x Wall Plugs.
- [5] 4x Screws ST4x35.
- [6] 3x Screw Caps.
- [7] 3x Back Screw Caps.
- [8] 3x Screws ST4x10.
- [9] 1x Handle Set.
- [10] 4x Rollers.
- [11] 2x Stoppers.
- [12] 1x 0.1" Allen Key.
- [13] 1x 0.16" Allen Key.

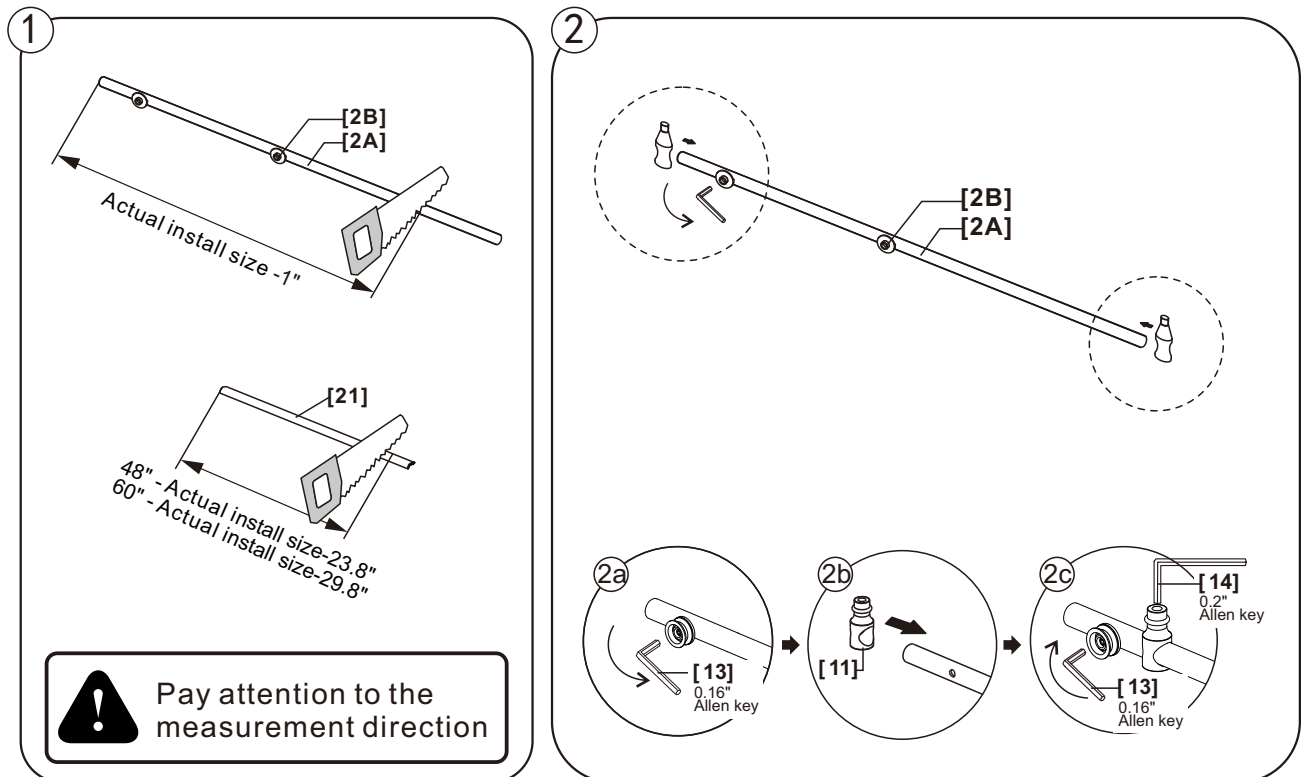
- [14] 1x 0.2" Allen Key.
- [15] 2x Side Gaskets.
- [16] 1x Wall Gasket.
- [17] 1x Magnetic Seal.
- [18] 1x Bottom Door Gasket.
- [19] 4x U Channel Shims.
- [20] 1x U Channel.
- [21] 1x Aluminum Seal.
- [22] 2x Connectors.
- [23] 1x Door Panel.
- [24] 1x Fixed Panel .
- [25] 1x Wall Post.
- [26] 1x Post.
- [27] 2x Hinges.

◆ Installation Steps

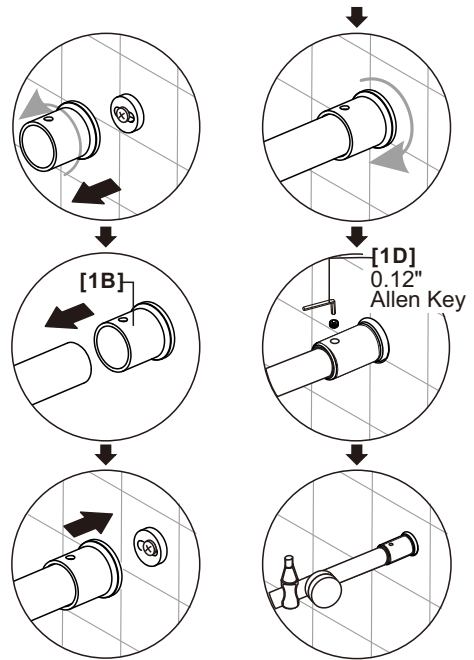
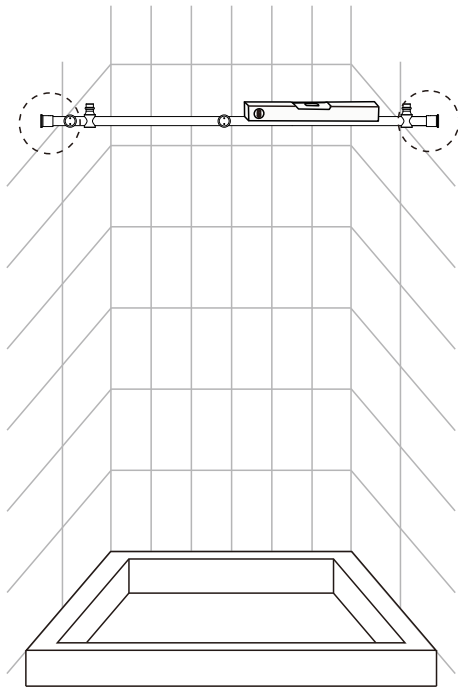
Step 1



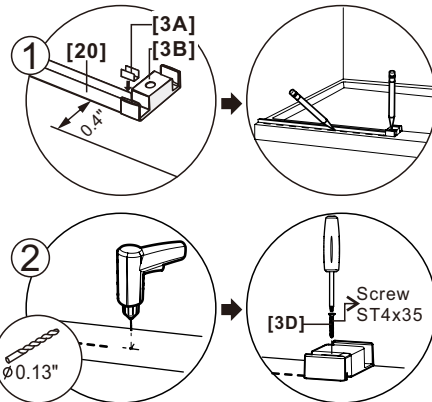
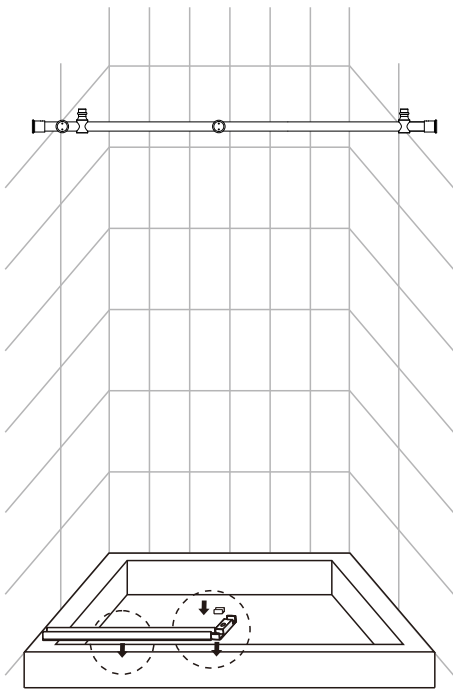
Step 2



Step 3

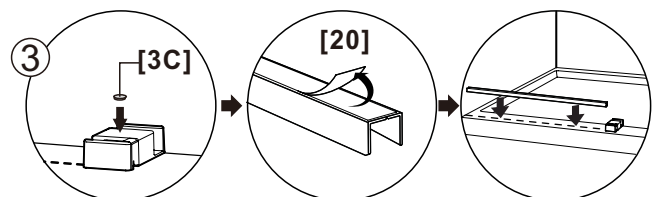


Step 4

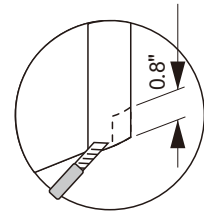
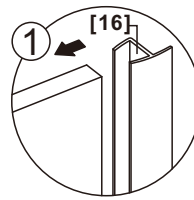
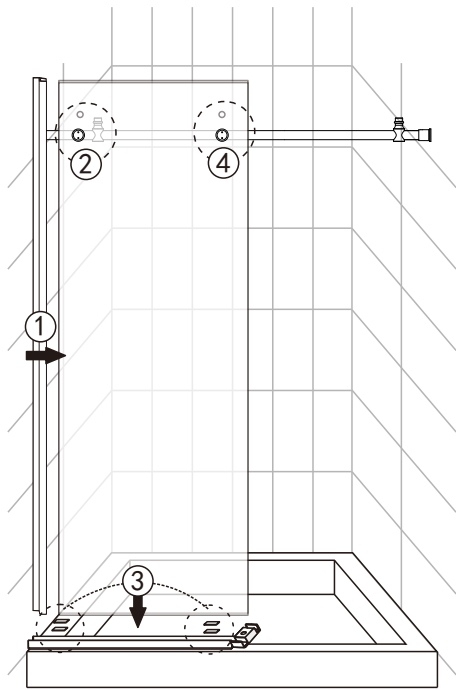


OR

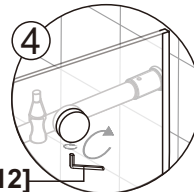
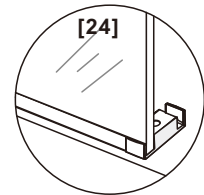
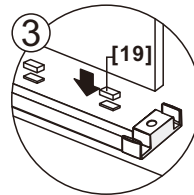
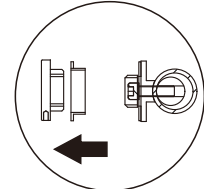
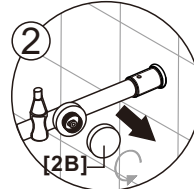
If the shower enclosure is installed on the floor directly, use 0.24" bit to drill the hole and a Wall Anchor [3E] is needed.



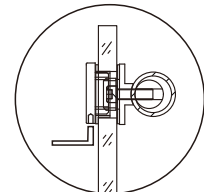
Step 5



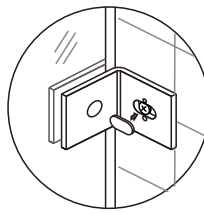
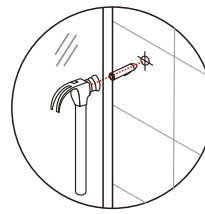
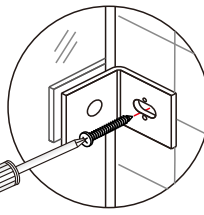
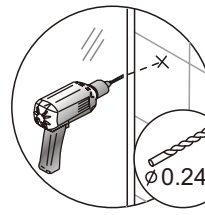
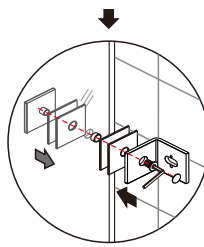
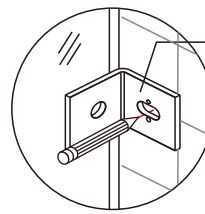
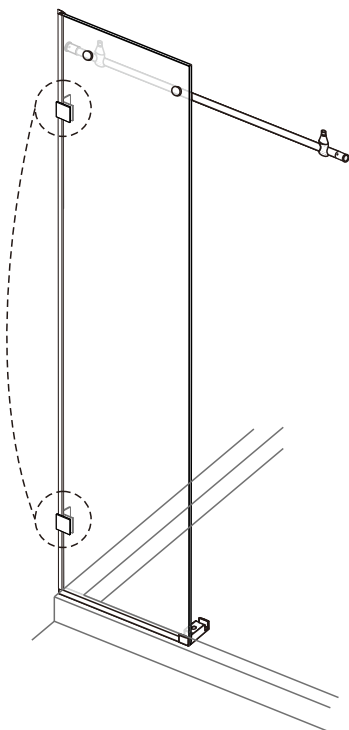
View from inside



[12]
0.1" Allen Key

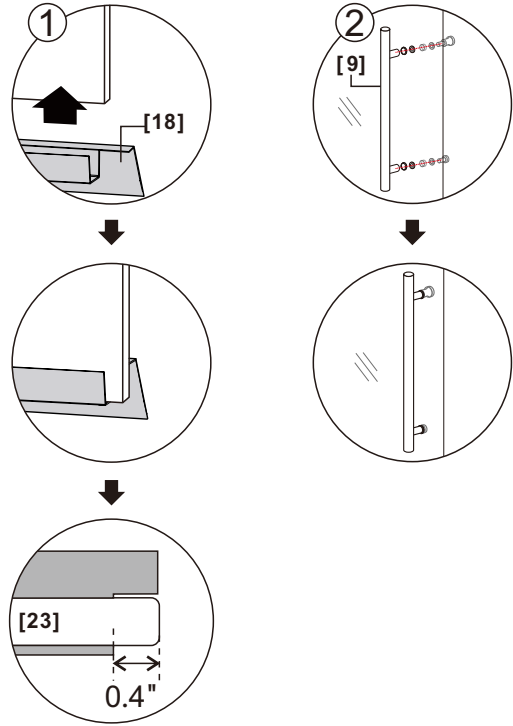
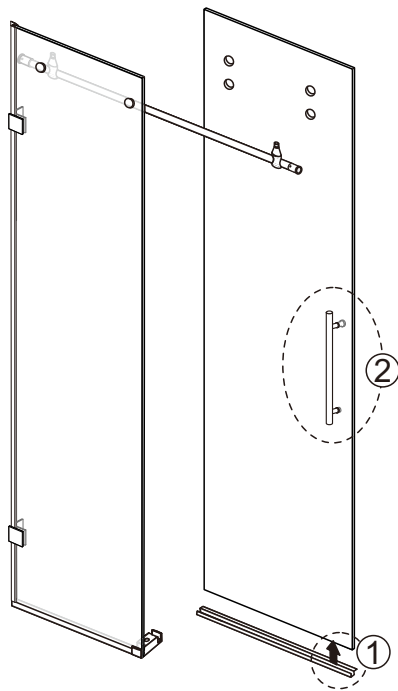


Step 6



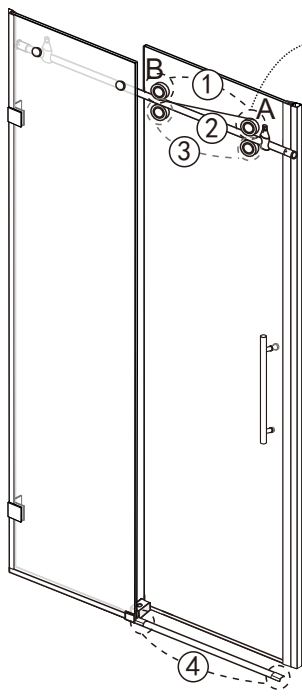
View from inside


Step 7




TOP VIEW

Step 8




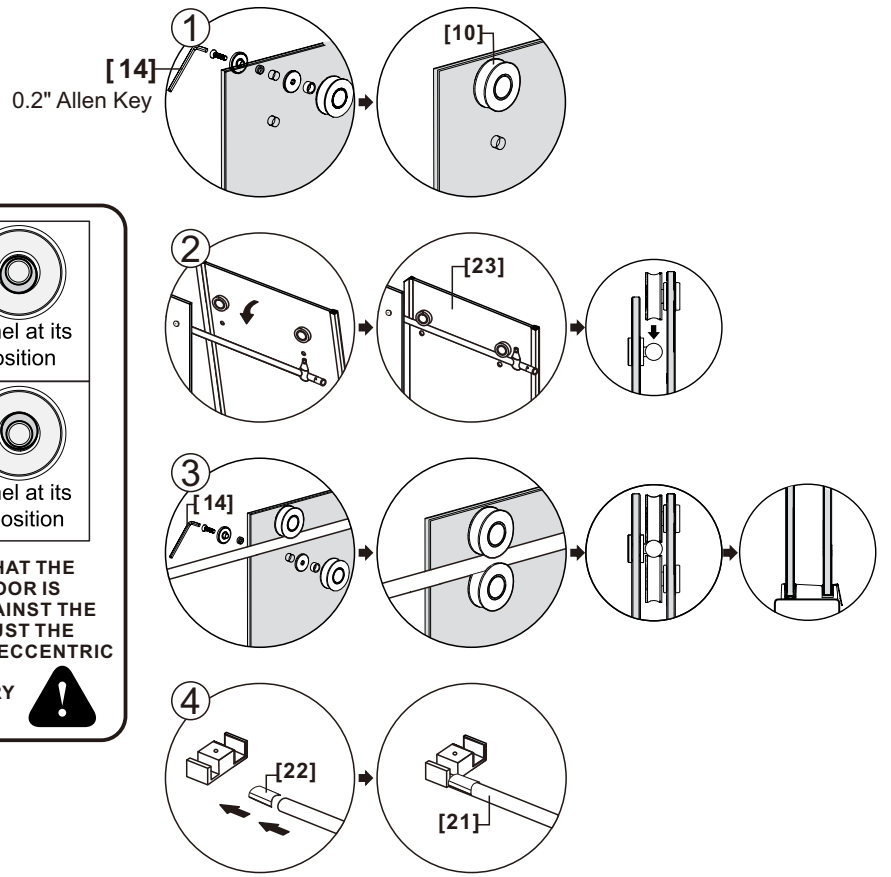
A 

Door panel at its lowest position

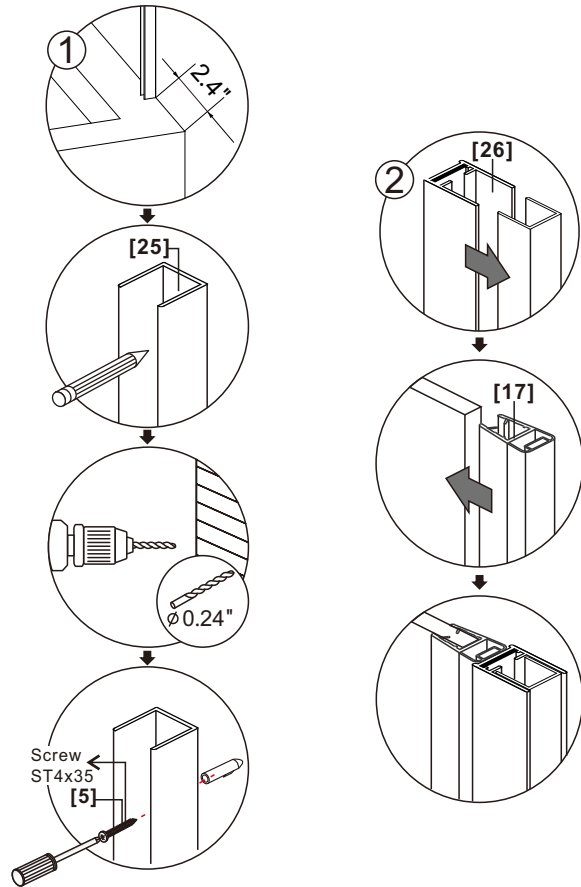
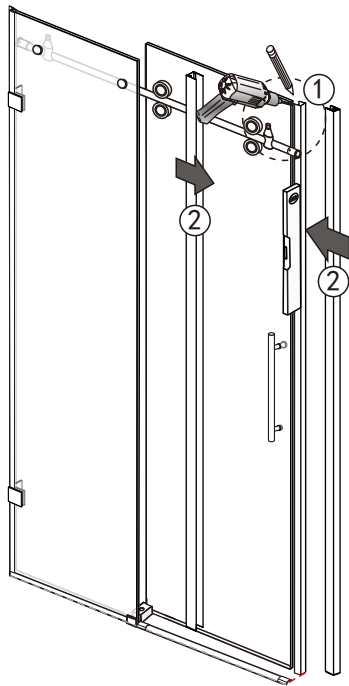
B 

Door panel at its highest position

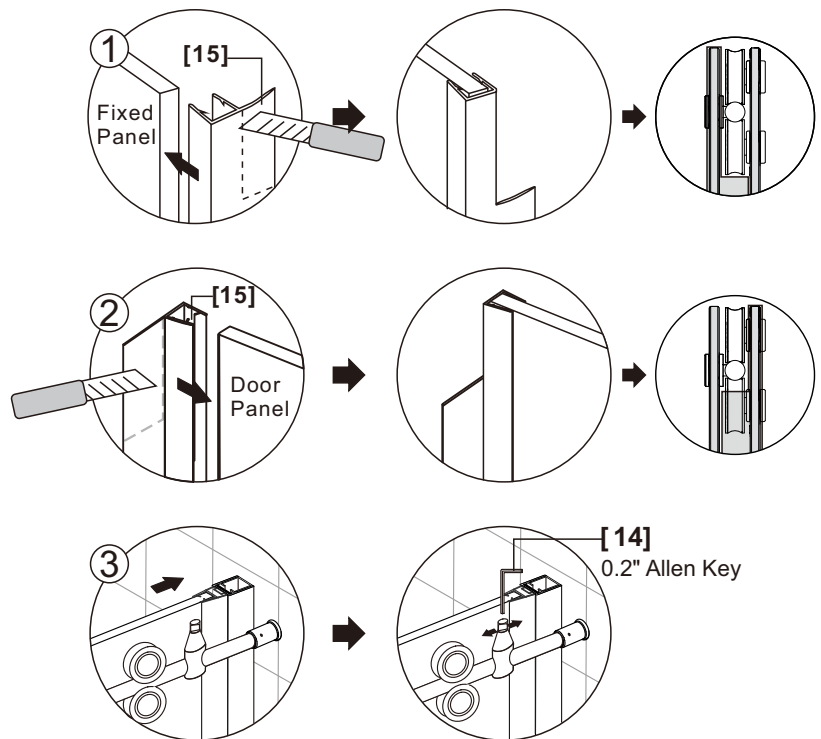
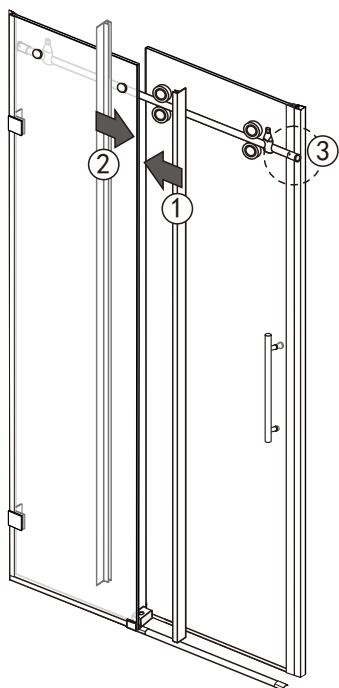
ENSURE THAT THE SLIDING DOOR IS FLUSH AGAINST THE WALL ADJUST THE ROLLER'S ECCENTRIC WASHER IF NECESSARY 



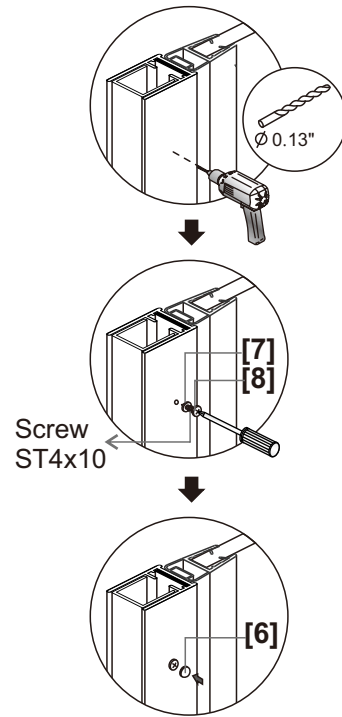
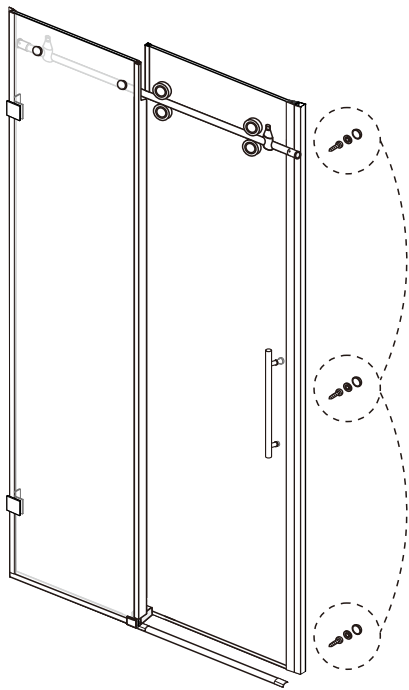
Step 9



Step 10

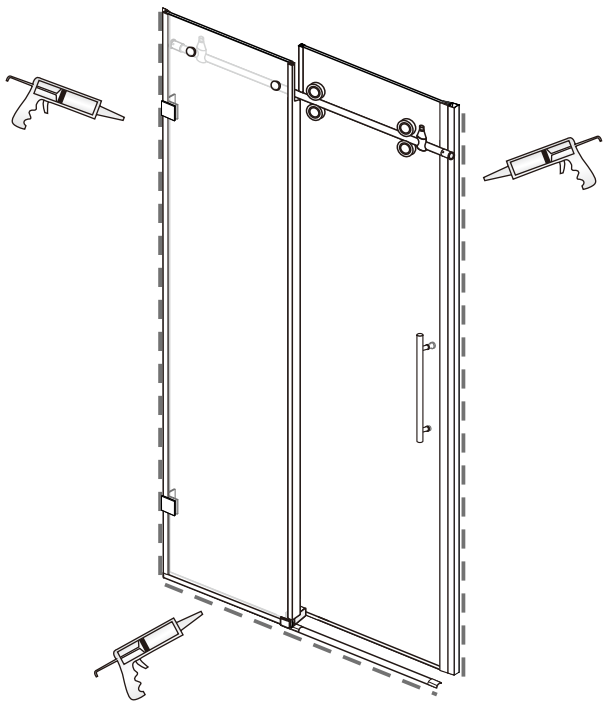


Step 11

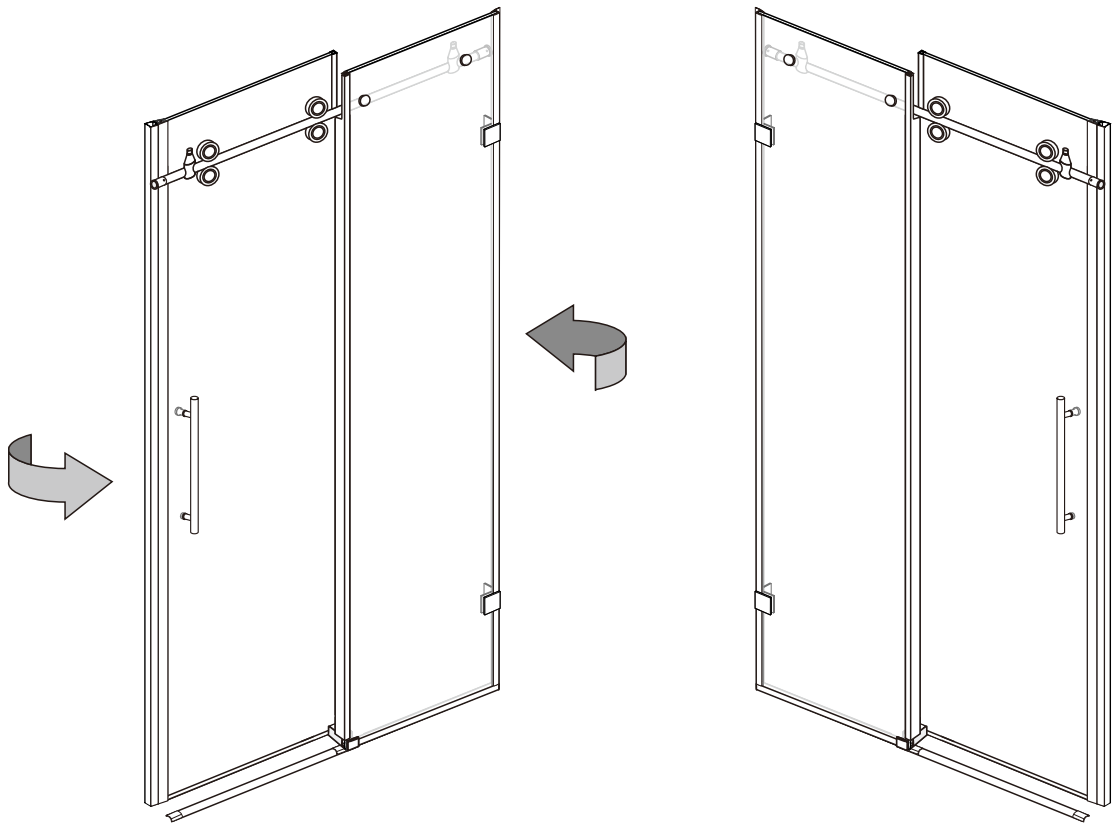


View from inside

Step 12



Allow 24 hours for silicone to dry before use.



Reversible for a Right or Left Wall Installation